

US00D520917S

(12) **United States Design Patent**
Mordo

(10) **Patent No.:** **US D520,917 S**

(45) **Date of Patent:** **** May 16, 2006**

(54) **BICYCLE**

(75) Inventor: **Alex Mordo**, Vancouver (CA)

(73) Assignee: **A. Mordo & Son Ltd.**, Vancouver (CA)

(**) Term: **14 Years**

D420,310 S	2/2000	Spriggs et al.
D466,055 S	11/2002	Masui et al.
D479,817 S	9/2003	Hobson
D483,698 S	12/2003	Basura
D497,575 S	10/2004	Blankenship
D499,360 S	12/2004	Blankenship
D500,414 S	1/2005	Blankenship
D502,673 S	3/2005	Schlick

OTHER PUBLICATIONS

Wired Jan. 2002 magazine, recumbent bicycle on p. 37.*

* cited by examiner

Primary Examiner—Alan P. Douglas

Assistant Examiner—Linda Brooks

(74) *Attorney, Agent, or Firm*—Trevor C. Klotz

(21) Appl. No.: **29/230,142**

(22) Filed: **May 18, 2005**

(30) **Foreign Application Priority Data**

Nov. 26, 2004 (CA) 109211

(51) **LOC (8) Cl.** **12-11**

(52) **U.S. Cl.** **D12/111**

(58) **Field of Classification Search** D12/110,
D12/111; 180/219, 220; 280/274–278, 288.1–288.3,
280/281.1, 283–288, 827, 828; D21/432,
D21/538; 446/440

See application file for complete search history.

(57) **CLAIM**

The ornamental design for a bicycle, as shown and described.

DESCRIPTION

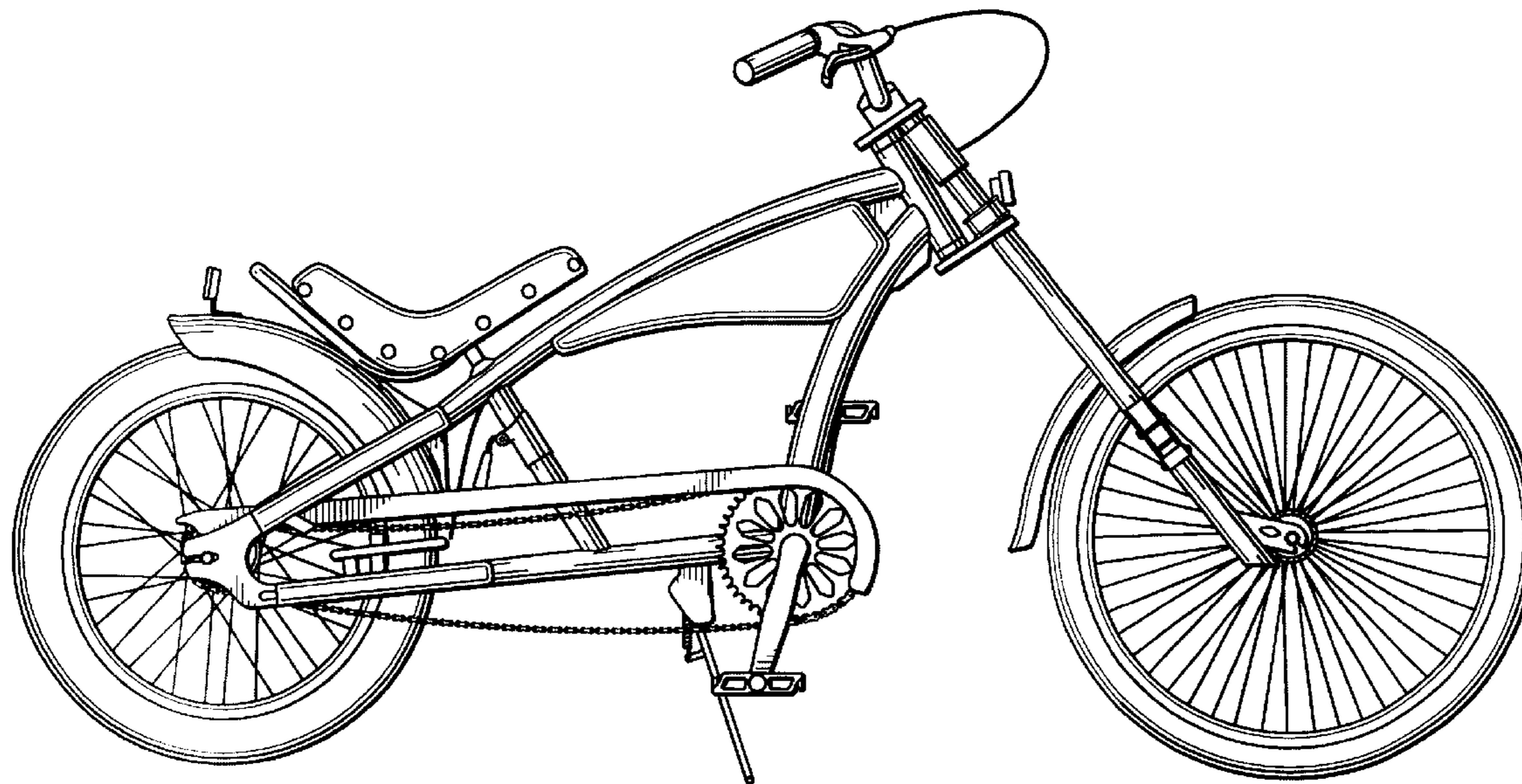
FIG. 1 is a right side view of the bicycle;
FIG. 2 is a left side view of the bicycle;
FIG. 3 is a front view of the bicycle;
FIG. 4 is a rear view of the bicycle;
FIG. 5 is a top plan view of the bicycle; and,
FIG. 6 is a bottom plan view of the bicycle.

(56) **References Cited**

U.S. PATENT DOCUMENTS

D216,856 S	3/1970	Black
D299,220 S	1/1989	Trusky
D301,437 S	6/1989	Bleustein et al.
D392,603 S	3/1998	Quick

1 Claim, 4 Drawing Sheets



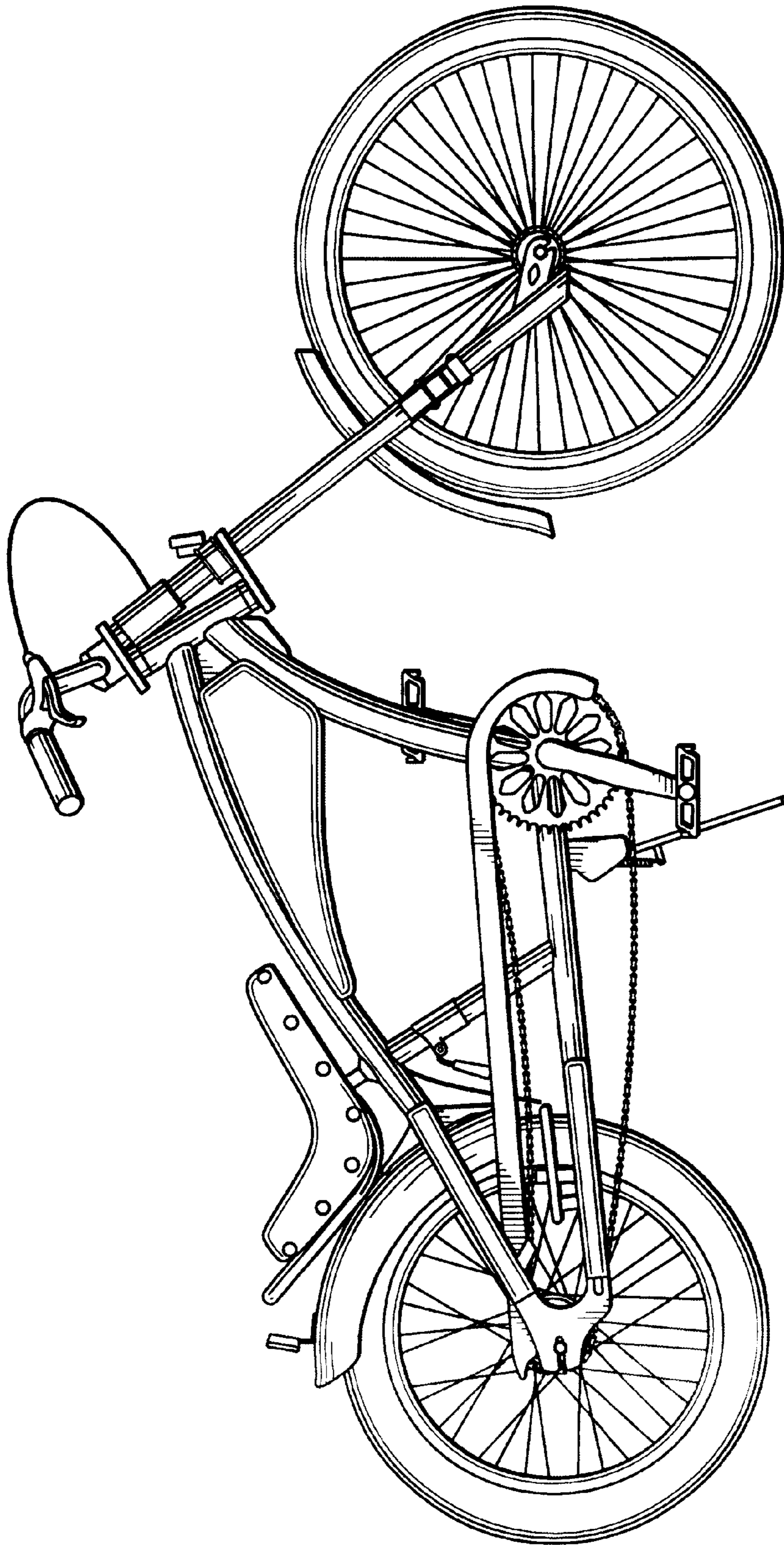


FIG. 1

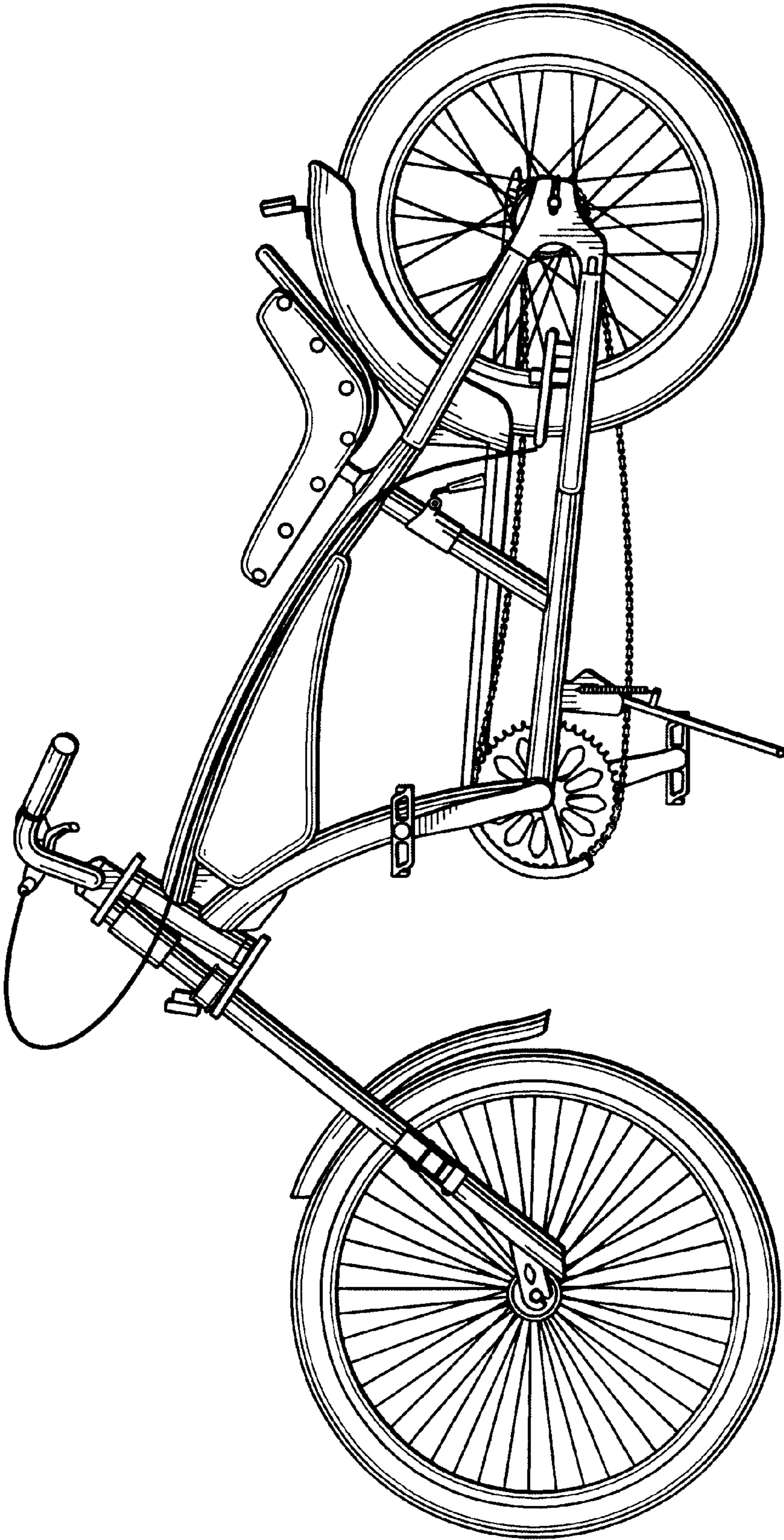


FIG. 2

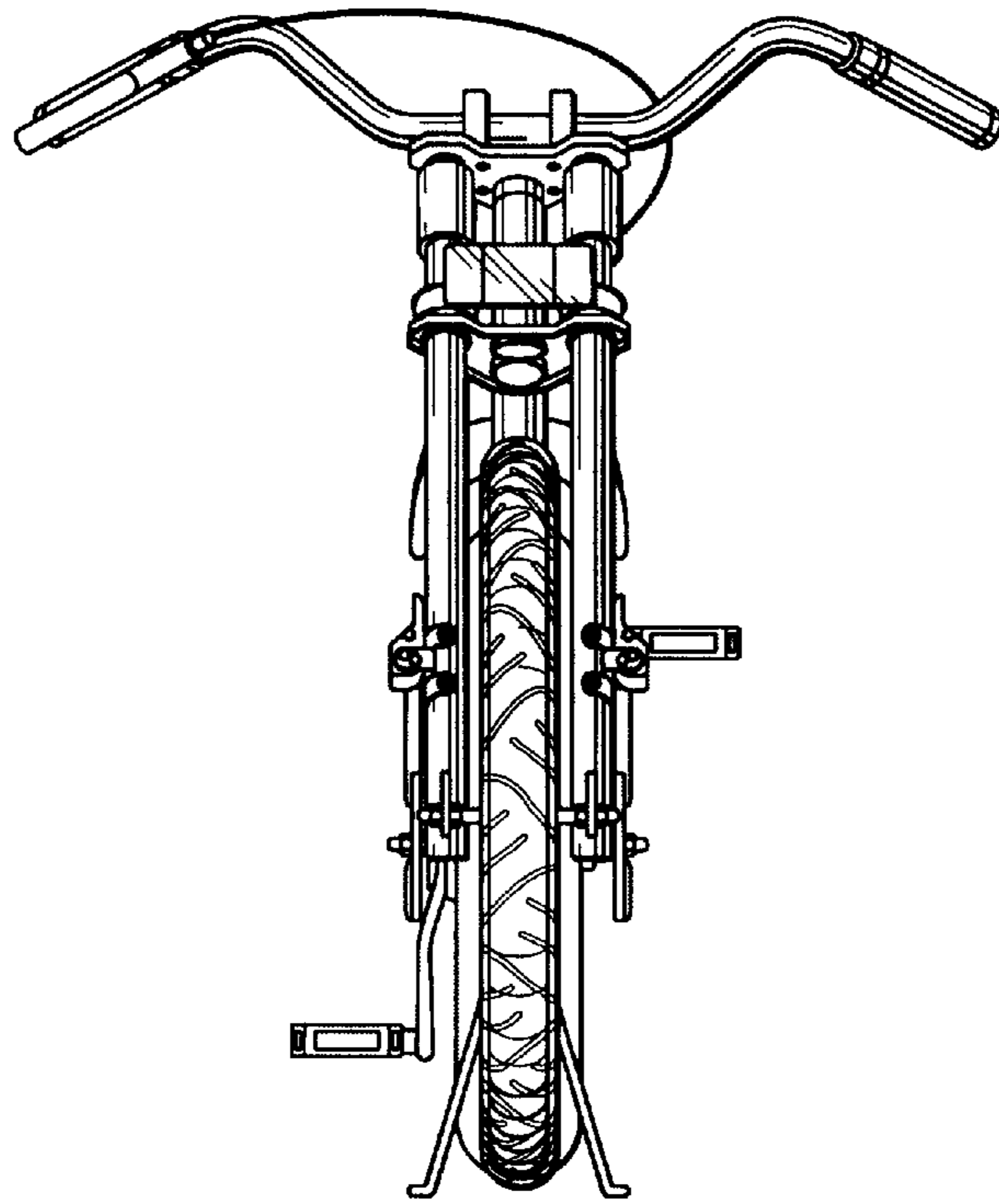


FIG. 3

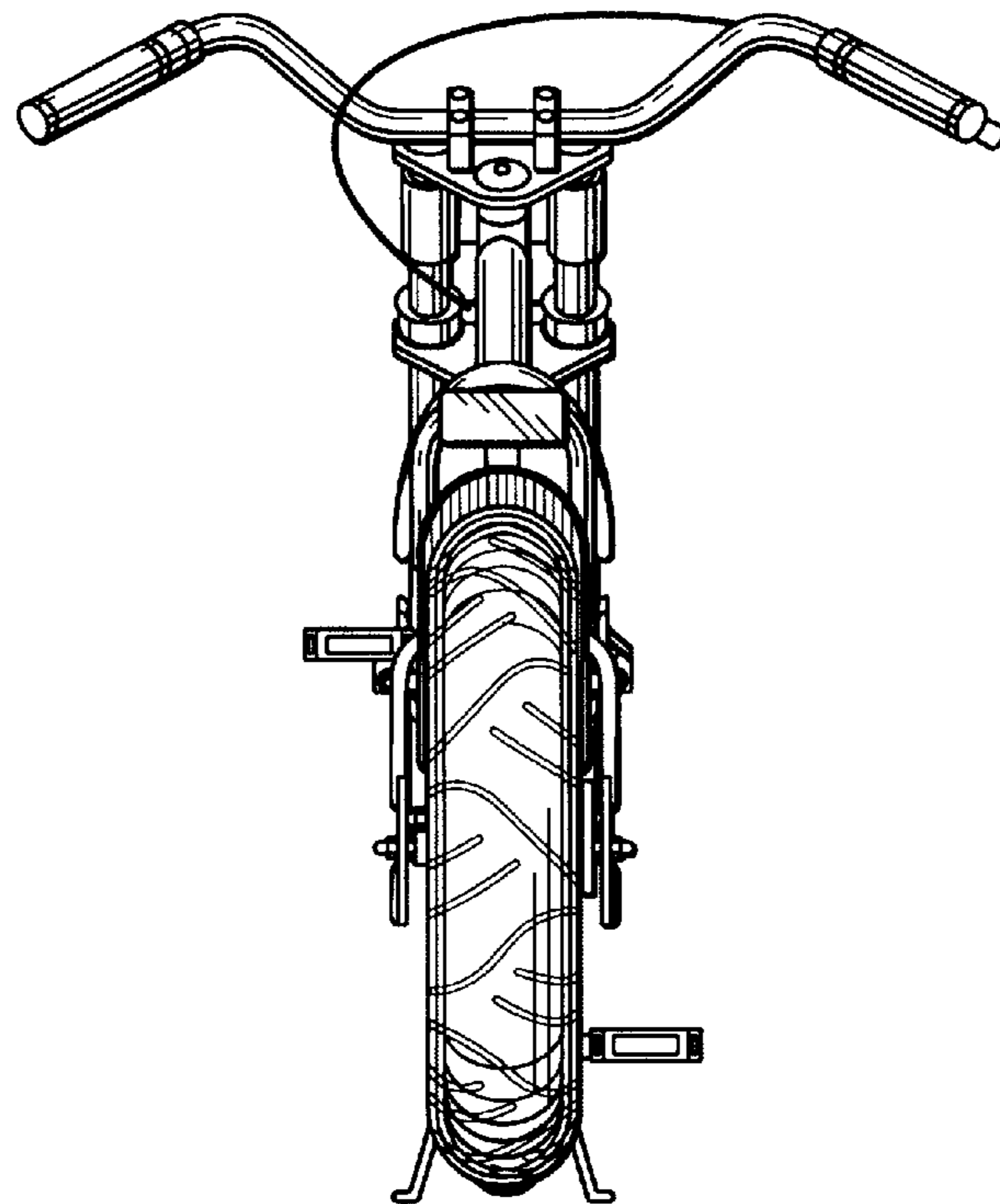


FIG. 4

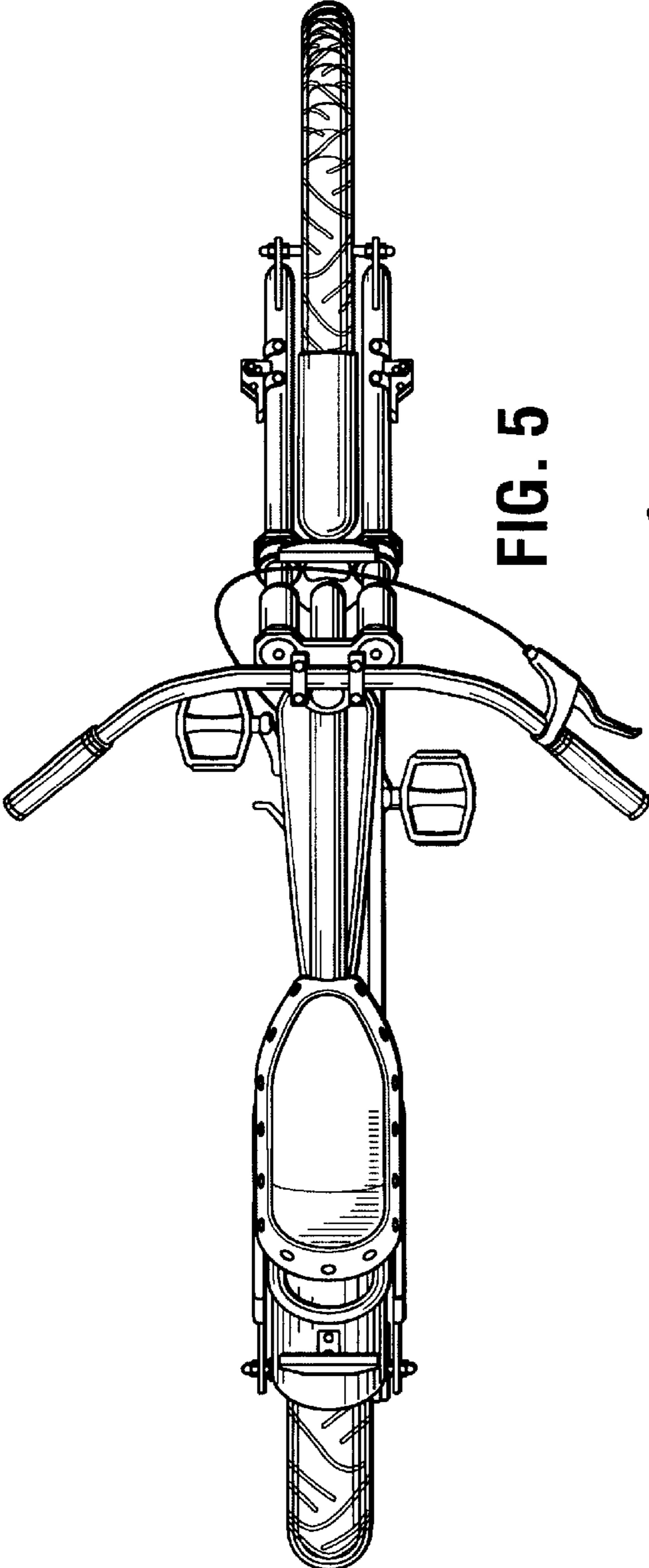


FIG. 5

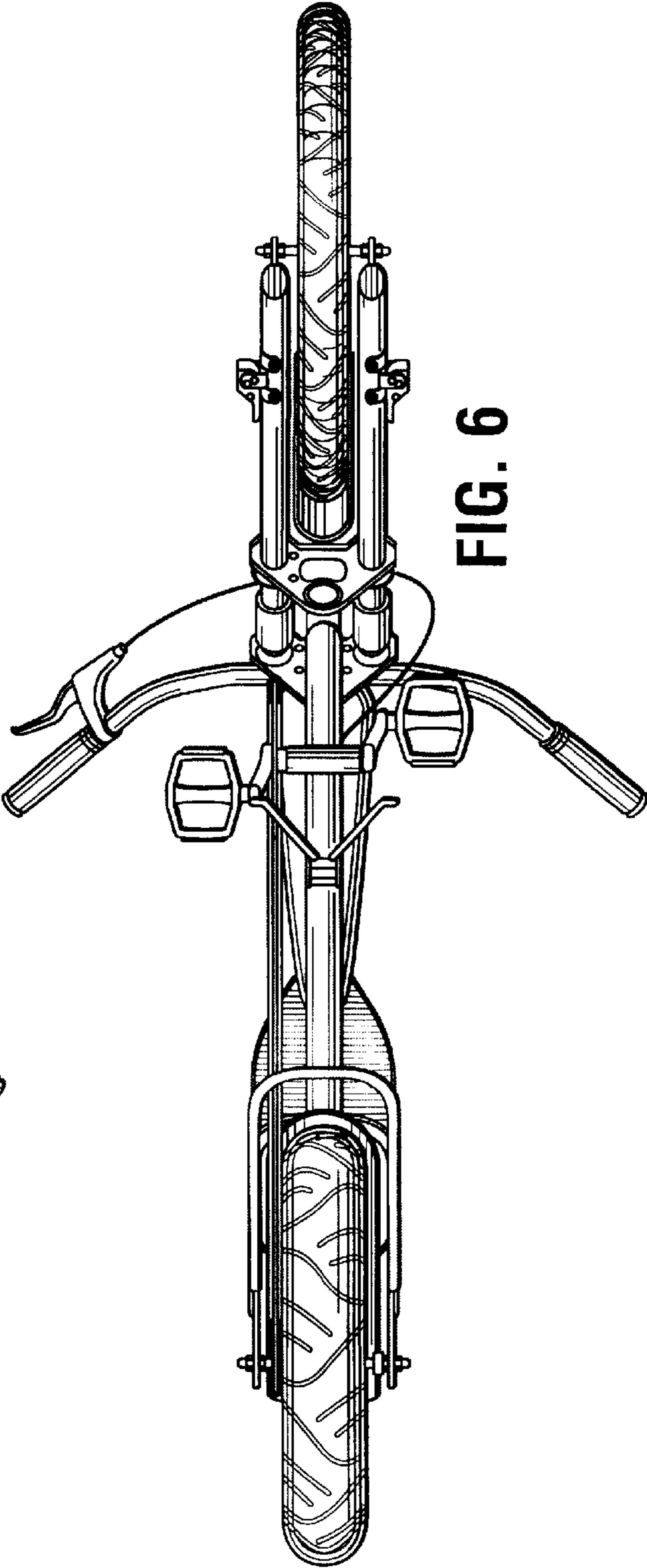


FIG. 6