



US00D520914S

(12) **United States Design Patent**  
**Luh**

(10) **Patent No.:** **US D520,914 S**

(45) **Date of Patent:** **\*\* May 16, 2006**

(54) **BEACH MOTOR VEHICLE**

D458,562 S \* 6/2002 Kalthok et al. .... D12/107  
D496,308 S \* 9/2004 Wu ..... D12/107

(75) Inventor: **Tai Yang Luh**, Taiping (TW)

\* cited by examiner

(73) Assignee: **Ding Li Metal Industrial Co., Ltd.**,  
Taichung Hsien (TW)

*Primary Examiner*—Alan P. Douglas

*Assistant Examiner*—Linda Brooks

(\*\*) Term: **14 Years**

(74) *Attorney, Agent, or Firm*—Charles E. Baxley

(21) Appl. No.: **29/230,623**

(57) **CLAIM**

(22) Filed: **May 24, 2005**

The ornamental design for a beach motor vehicle, as shown and described.

(51) **LOC (8) Cl.** ..... **12-11**

**DESCRIPTION**

(52) **U.S. Cl.** ..... **D12/107**

(58) **Field of Classification Search** ..... D12/3,  
D12/86, 87, 107, 110; 180/225, 229, 233,  
180/311, 312, 315

FIG. 1 is a front perspective view of a beach motor vehicle showing my new design;

FIG. 2 is a front elevational view thereof;

FIG. 3 is a rear elevational view thereof;

FIG. 4 is a top plan view thereof;

FIG. 5 is a bottom plan view thereof;

FIG. 6 is a left side elevational view thereof;

FIG. 7 is a right side elevational view thereof; and,

FIG. 8 is a rear perspective view thereof.

See application file for complete search history.

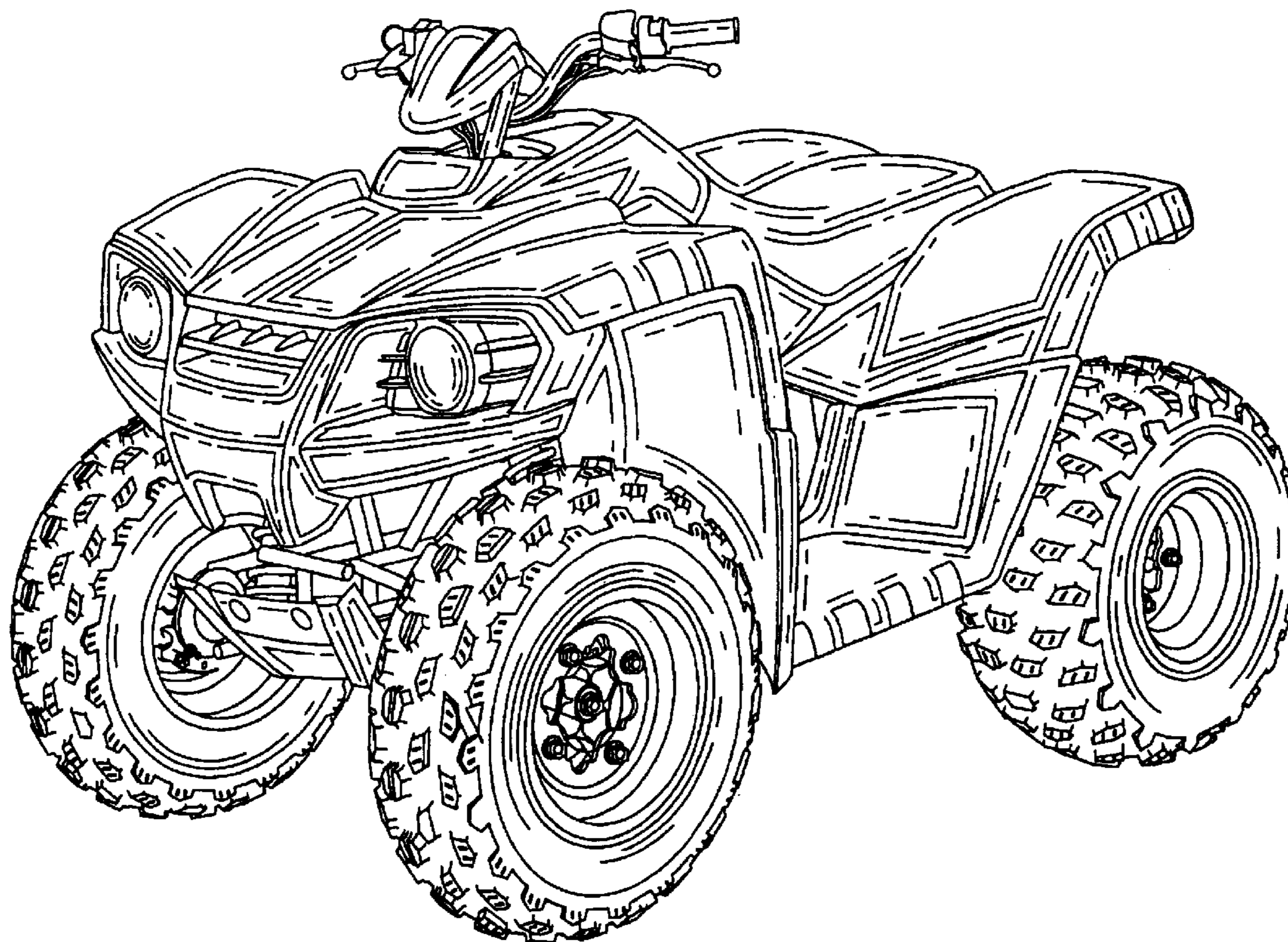
(56) **References Cited**

**U.S. PATENT DOCUMENTS**

D327,457 S \* 6/1992 Saito ..... D12/107

D349,078 S \* 7/1994 Kimura et al. .... D12/107

**1 Claim, 8 Drawing Sheets**



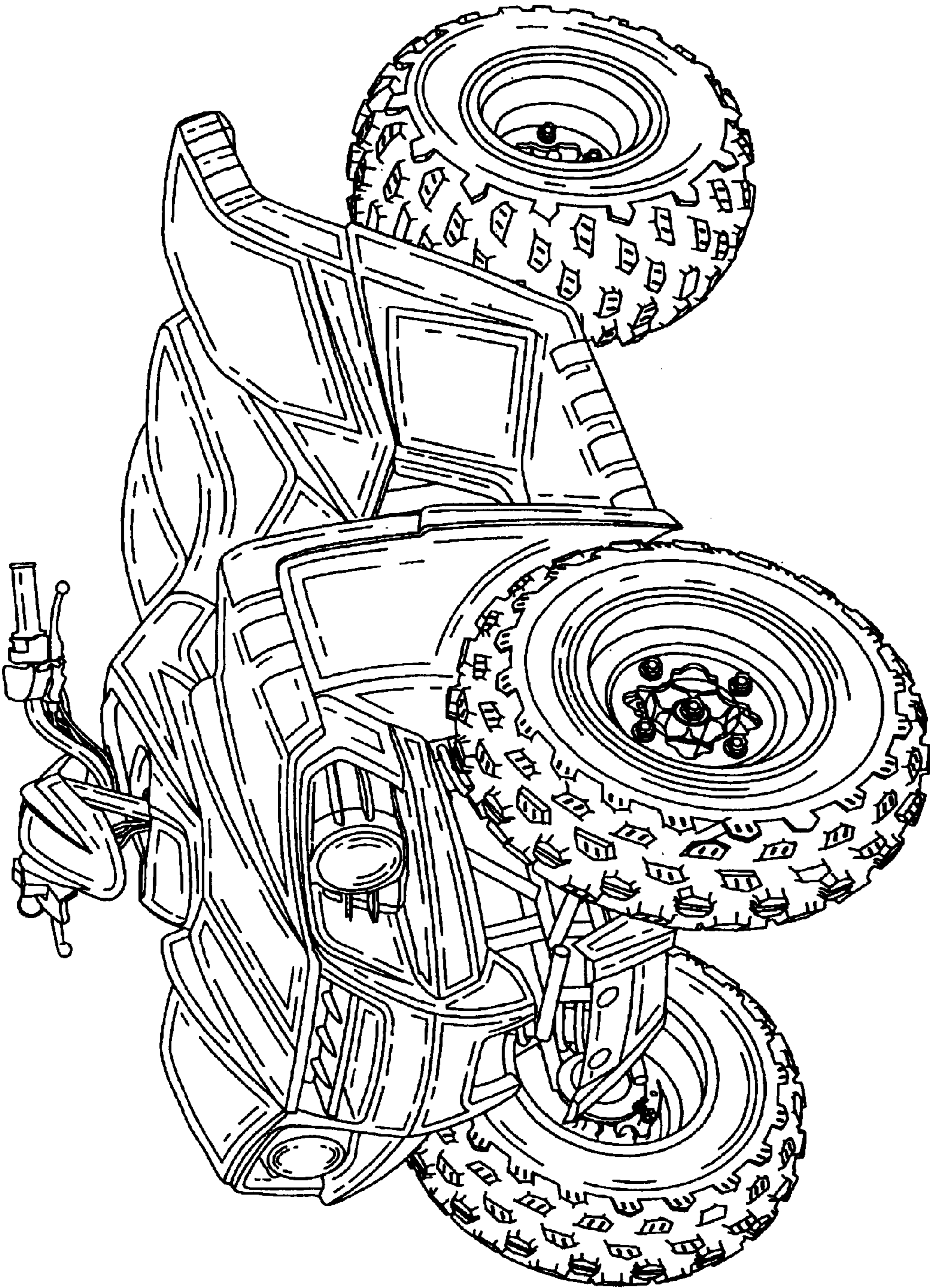


FIG. 1

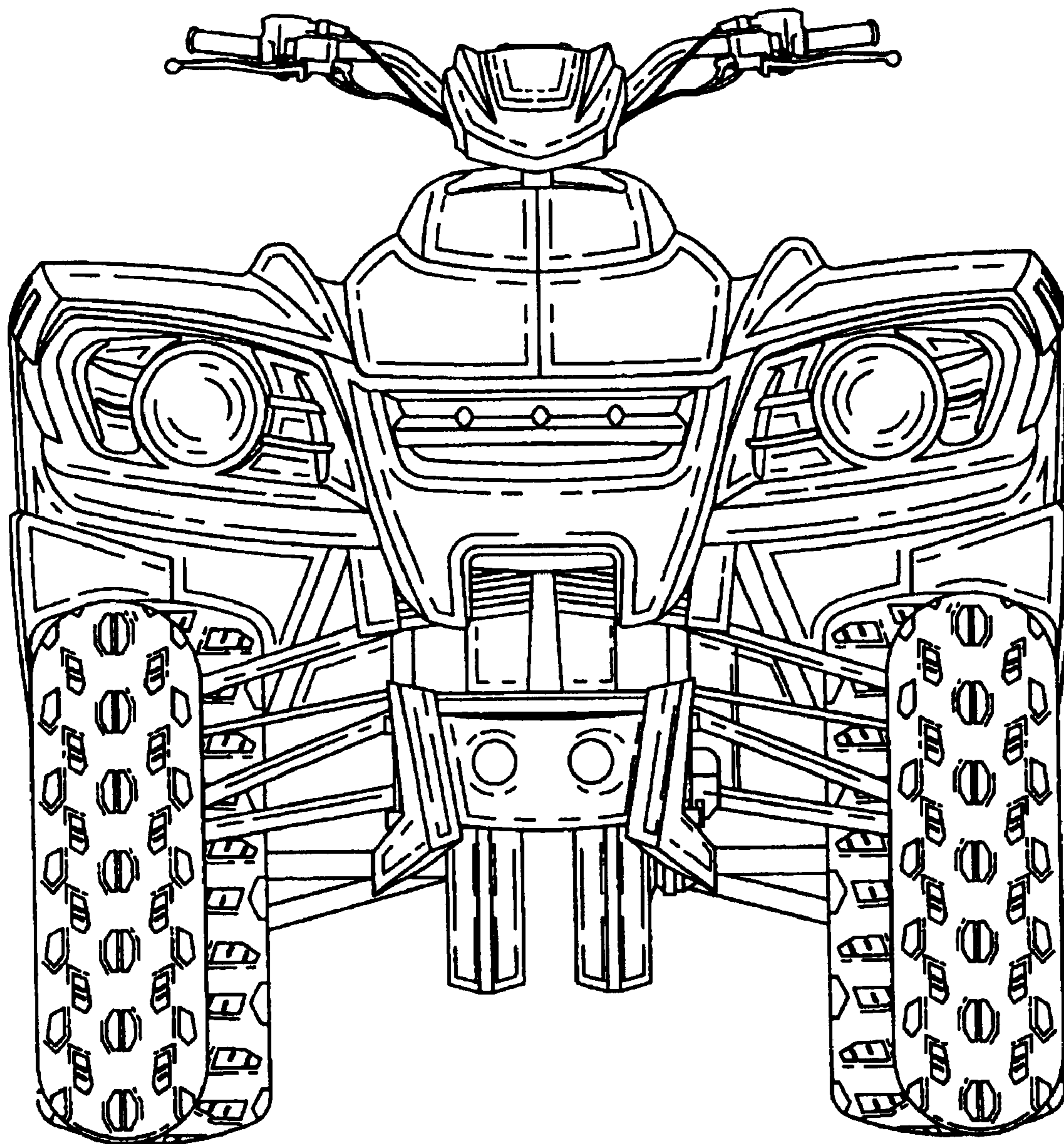


FIG. 2

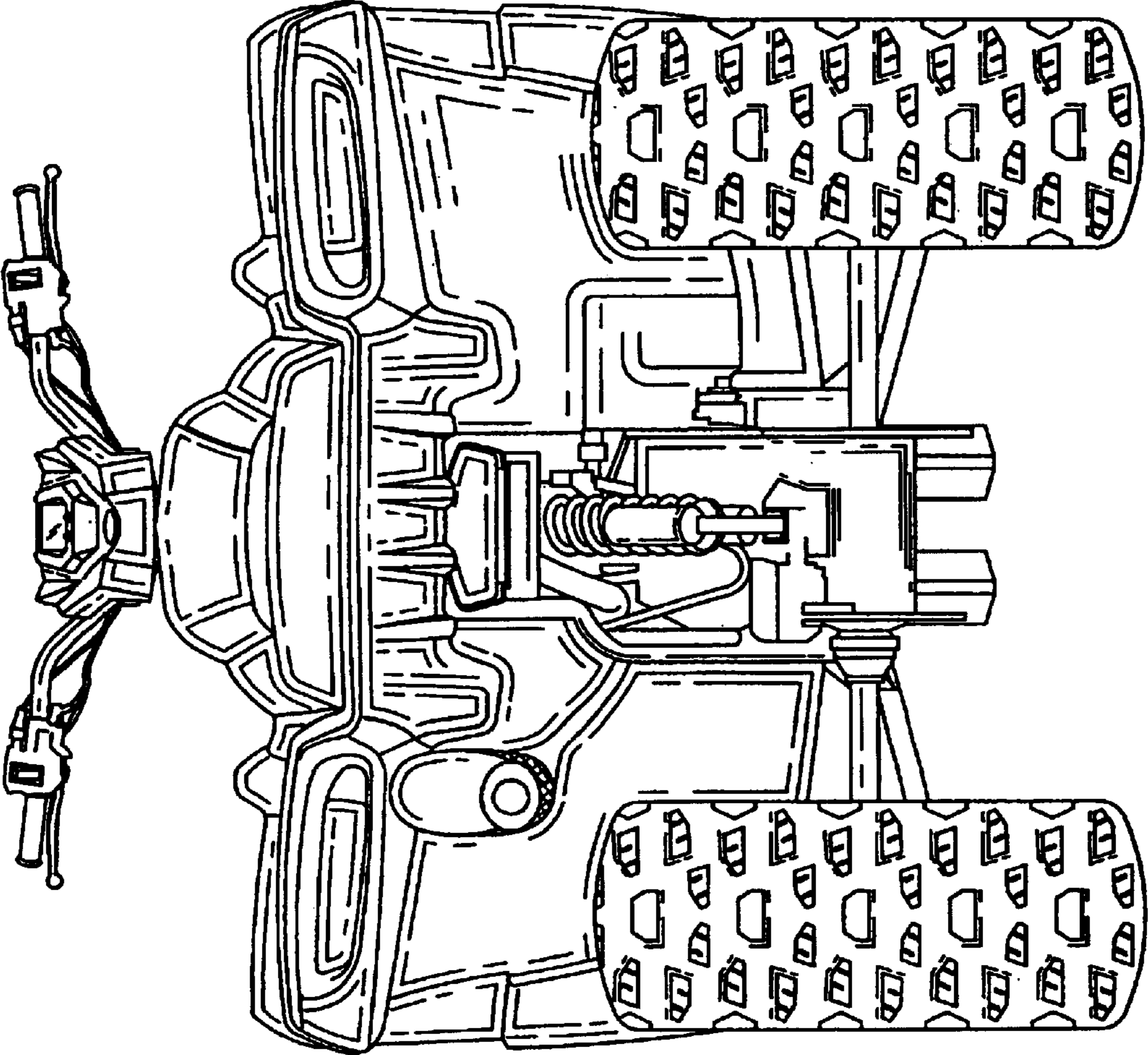


FIG. 3

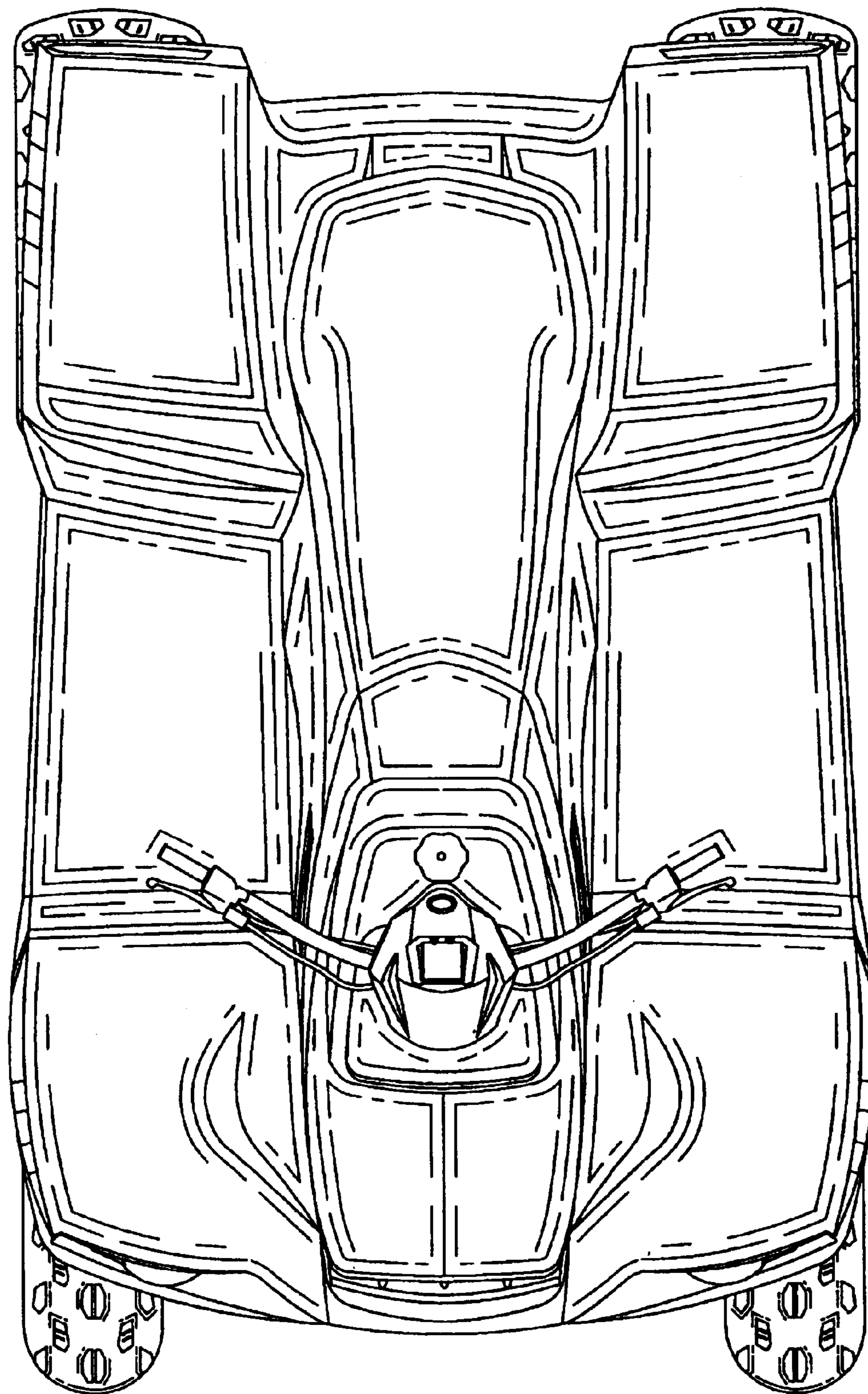


FIG. 4

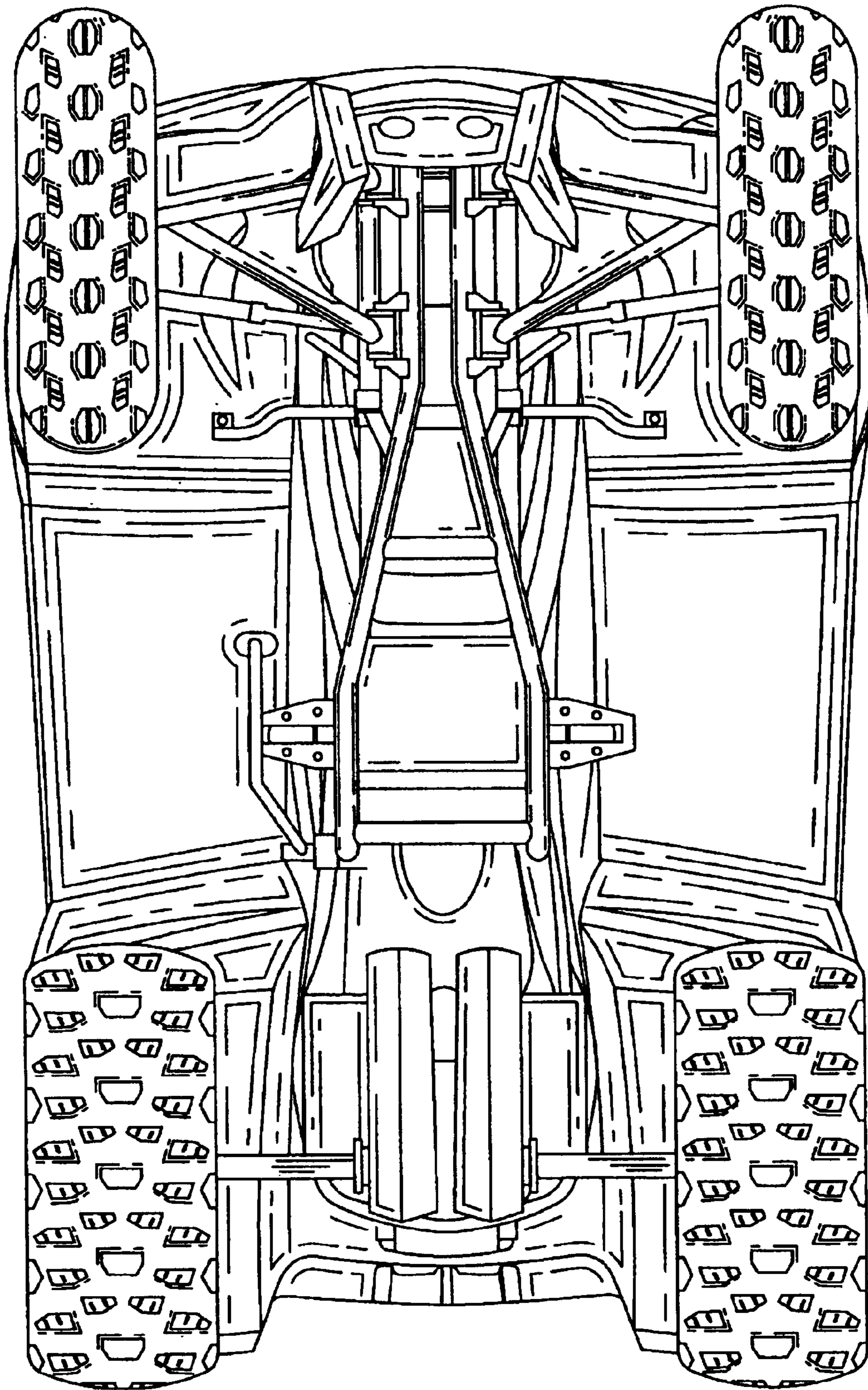


FIG. 5

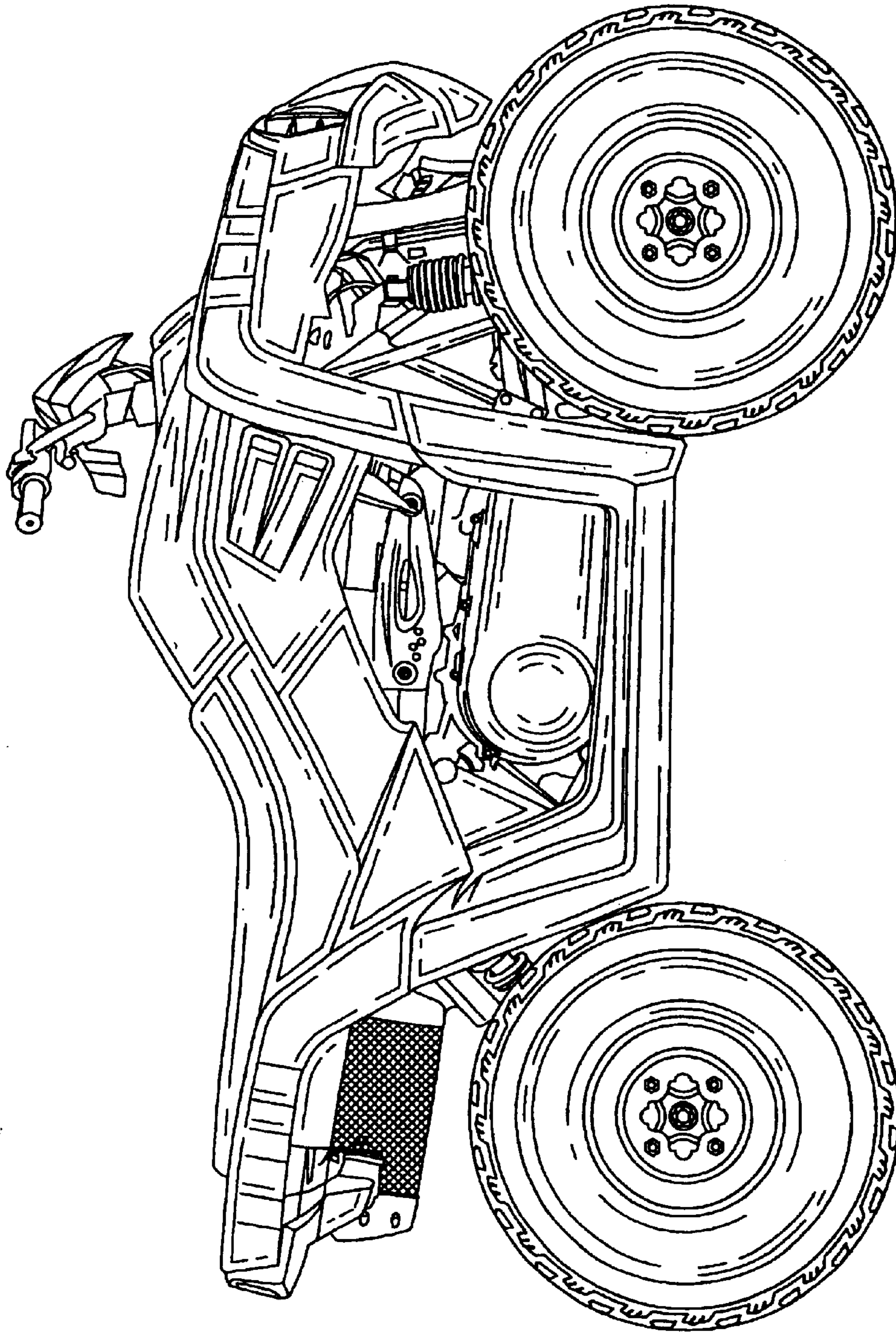


FIG. 6

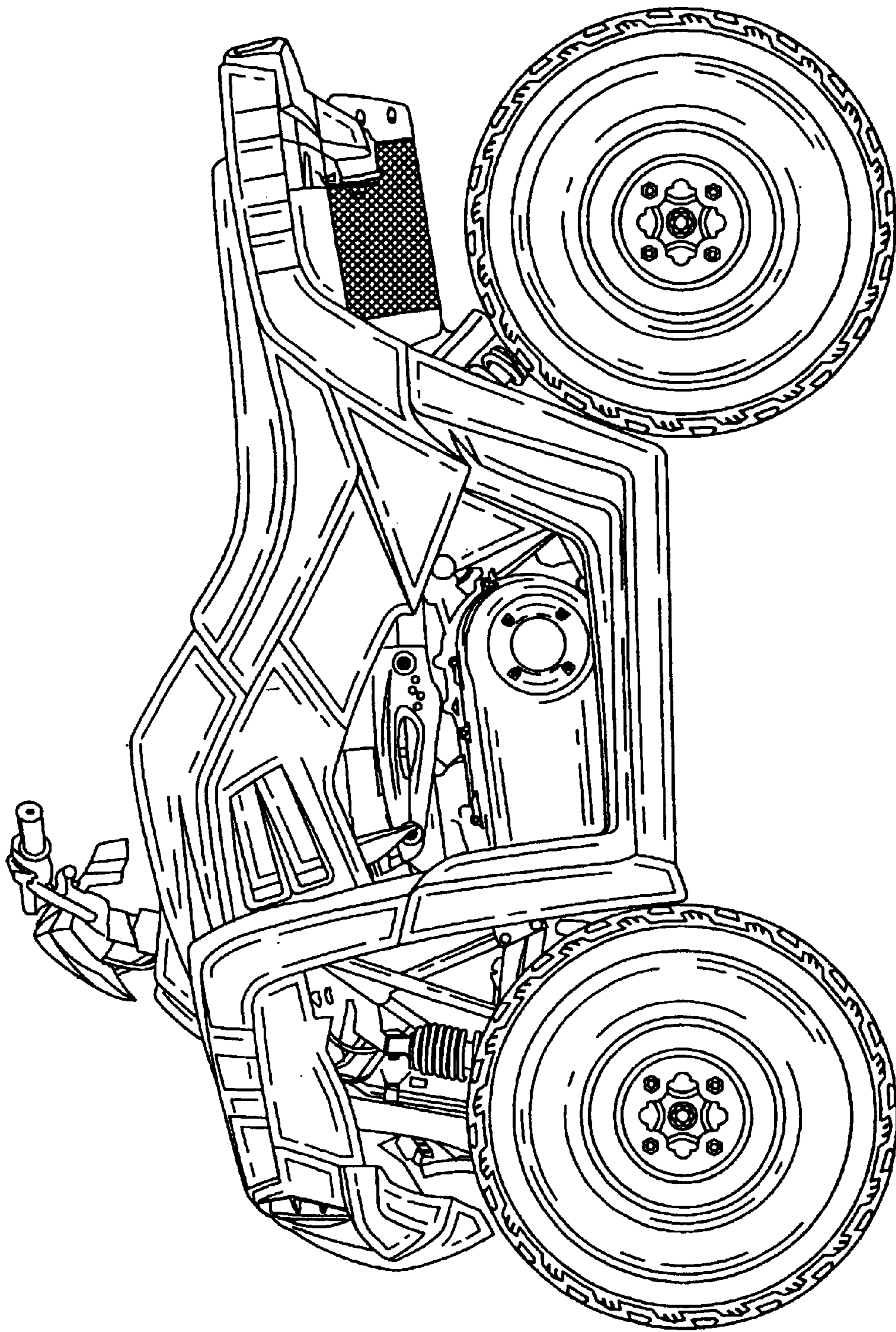


FIG. 7



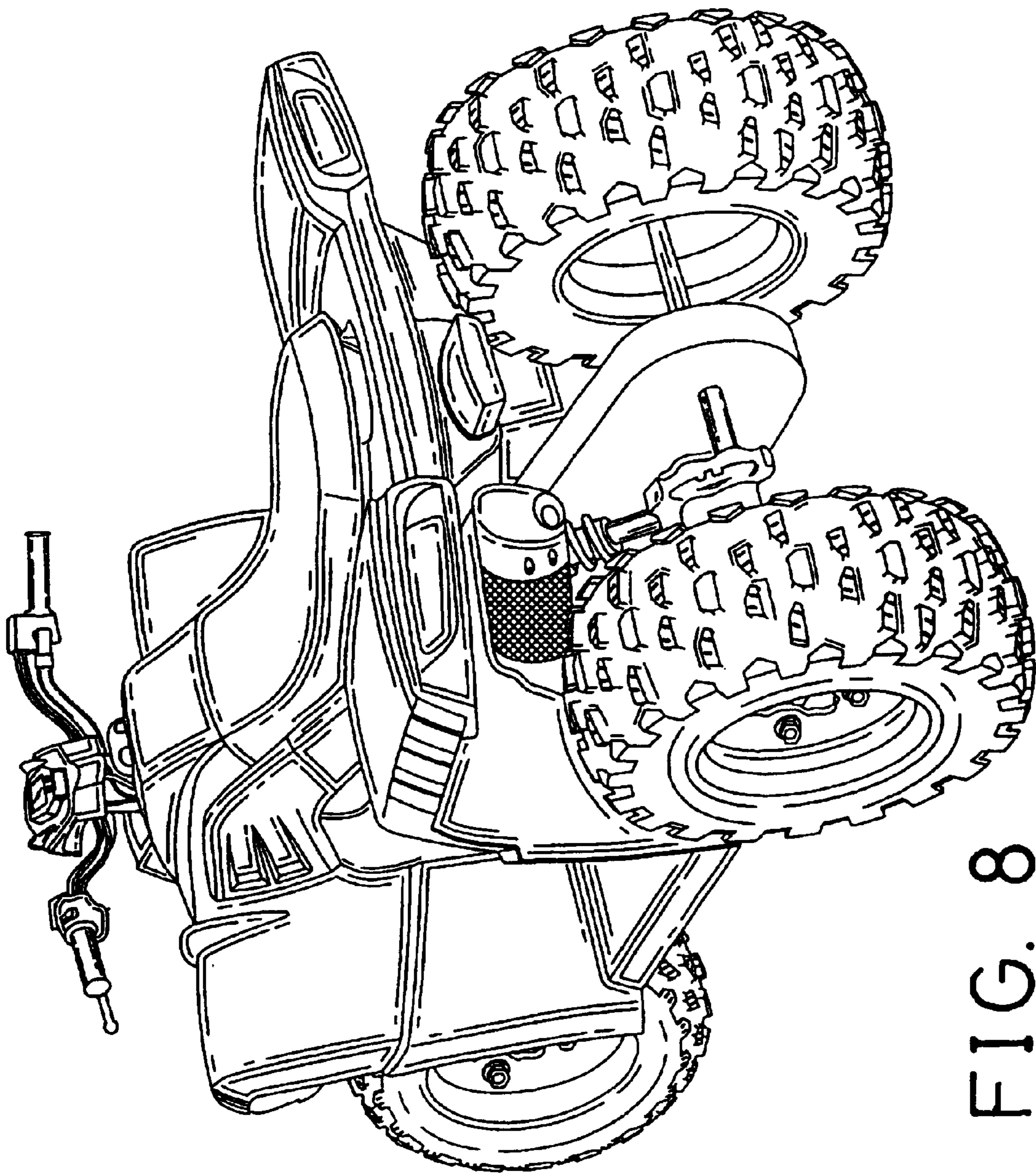


FIG. 8