



US00D520913S

(12) **United States Design Patent**  
**Staller**

(10) **Patent No.:** **US D520,913 S**

(45) **Date of Patent:** **\*\* May 16, 2006**

(54) **SEVEN PASSENGER PEDALED VEHICLE**

(76) Inventor: **Eric Staller**, Herengnarcht 100, 1015  
BS, Amsterdam (NL)

(\*\*) Term: **14 Years**

(21) Appl. No.: **29/220,677**

(22) Filed: **Jan. 4, 2005**

(51) **LOC (8) Cl.** ..... **12-11**

(52) **U.S. Cl.** ..... **D12/107**

(58) **Field of Classification Search** ..... D12/107,  
D12/111, 112, 113; 280/230-234, 222, 282,  
280/240, 281.1, 288.1-288.3, 211  
See application file for complete search history.

(56) **References Cited**

**U.S. PATENT DOCUMENTS**

4,093,260 A \* 6/1978 Terzian et al. .... 280/282  
6,012,732 A \* 1/2000 Potter ..... 280/232

\* cited by examiner

*Primary Examiner*—Alan P. Douglas

*Assistant Examiner*—Linda Brooks

(74) *Attorney, Agent, or Firm*—Bernhard P. Molldrem, Jr.

(57) **CLAIM**

The ornamental design for a seven passenger pedaled vehicle, as shown and described.

**DESCRIPTION**

FIG. 1 is a front perspective view of a seven passenger pedaled vehicle showing my new design, with the pedals, cranks, tires, seats, seat posts, and brake lever being drawn in ghost and not being part of my design, and with the front wheels being turned slightly to the right in this view.

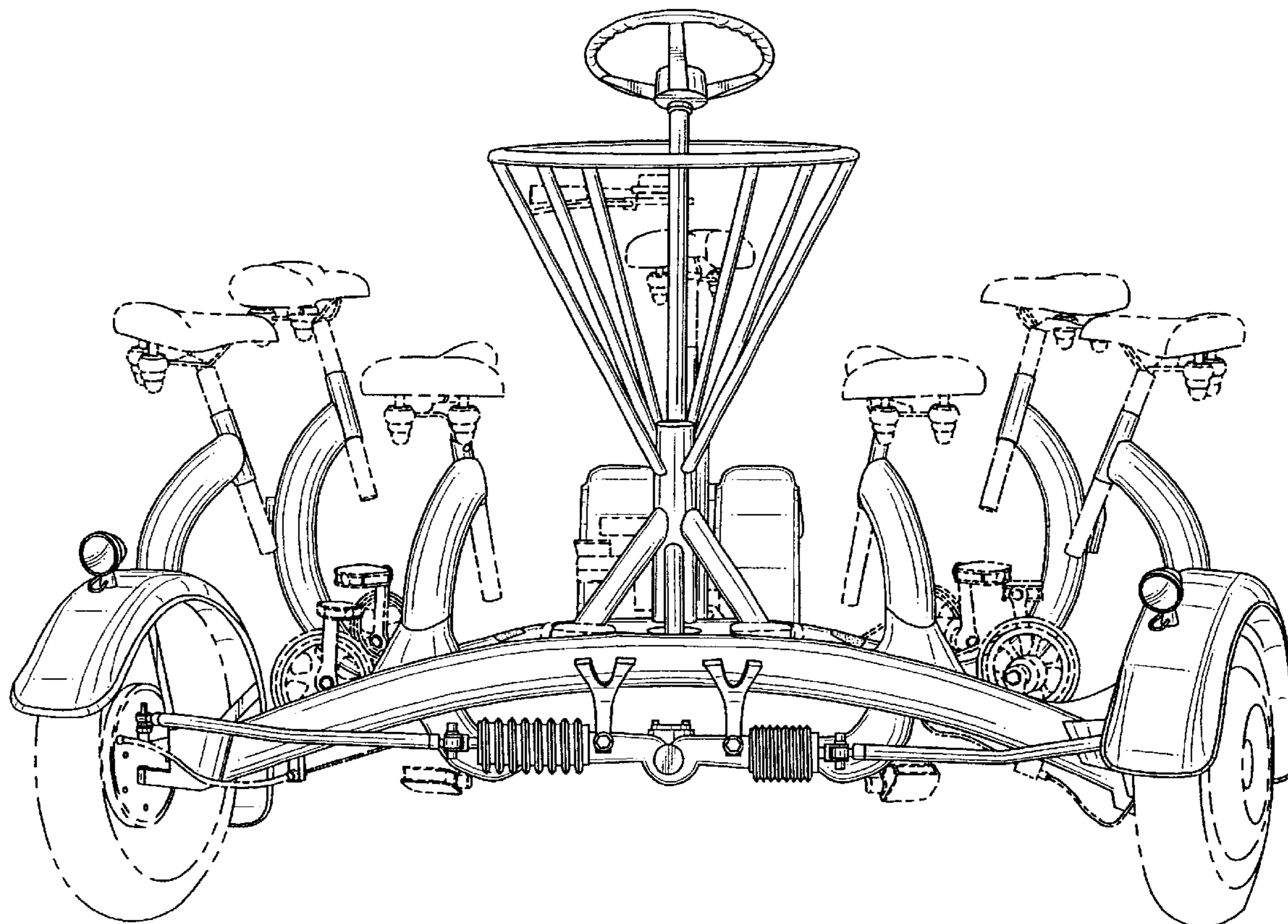
FIG. 2 is a right side perspective thereof, the left side being a mirror image.

FIG. 3 is a top perspective thereof; and,

FIG. 4 is a rear perspective thereof.

The under side does not form any part of the claimed design.

**1 Claim, 4 Drawing Sheets**



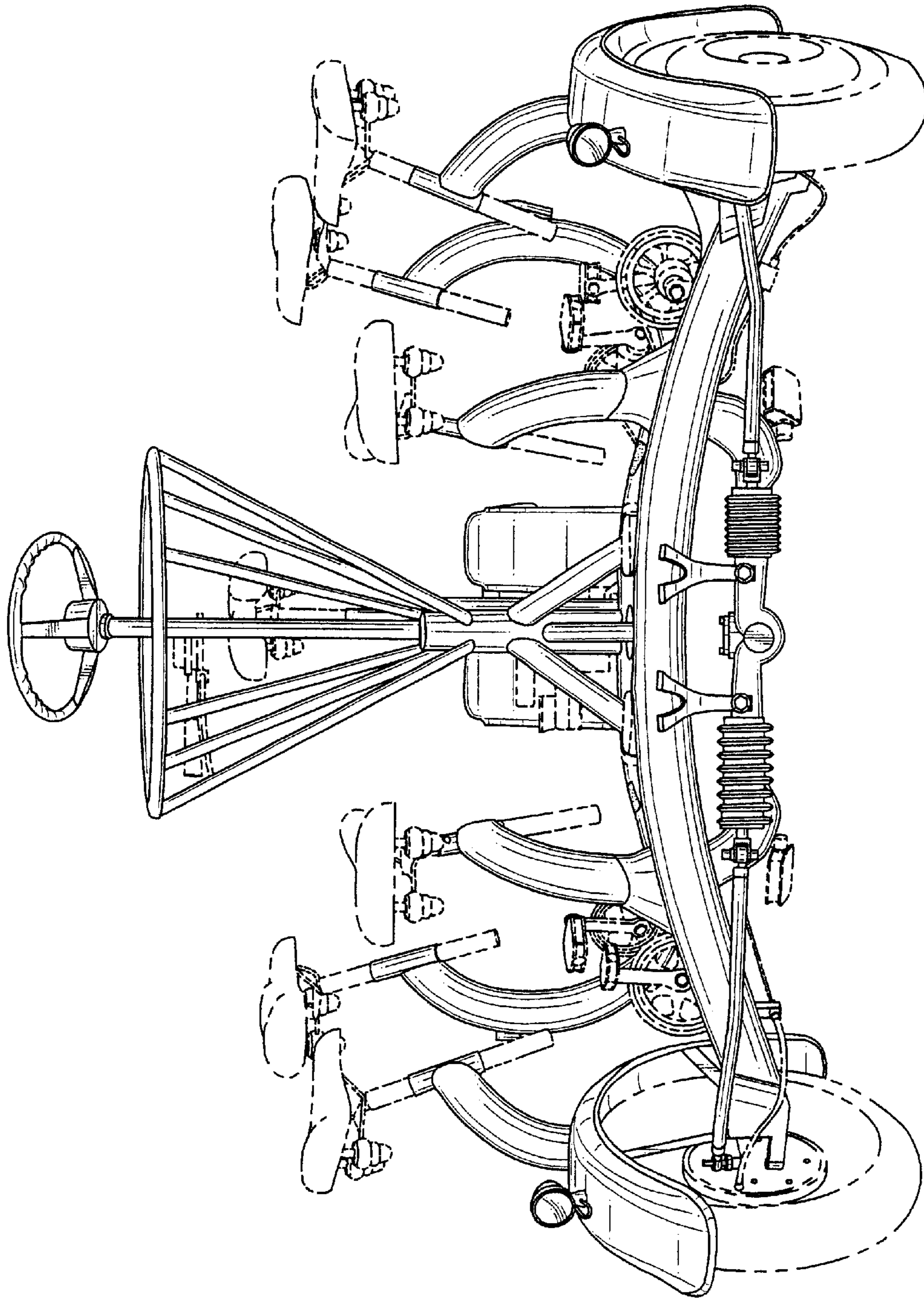


FIG.1



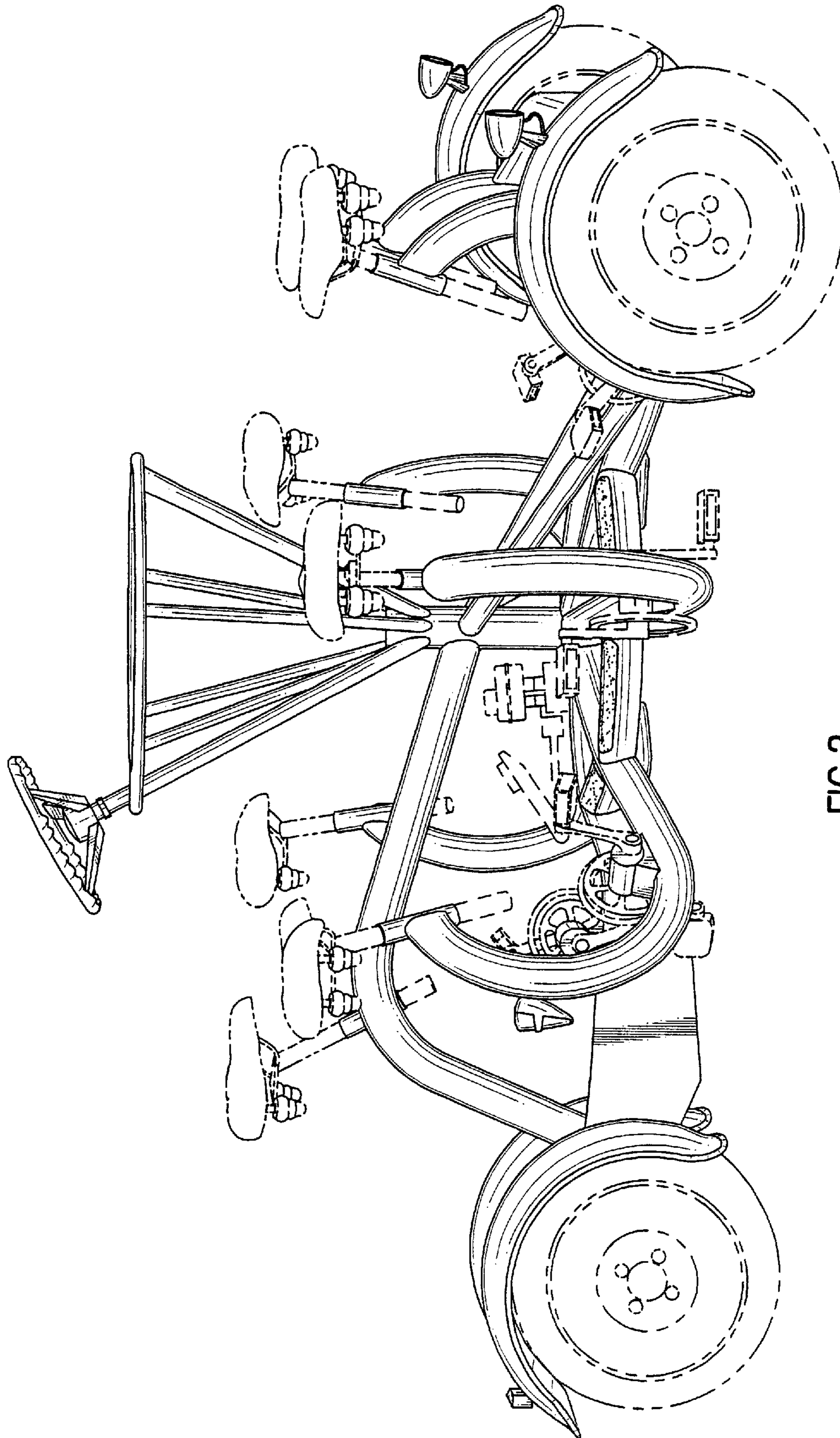


FIG.2



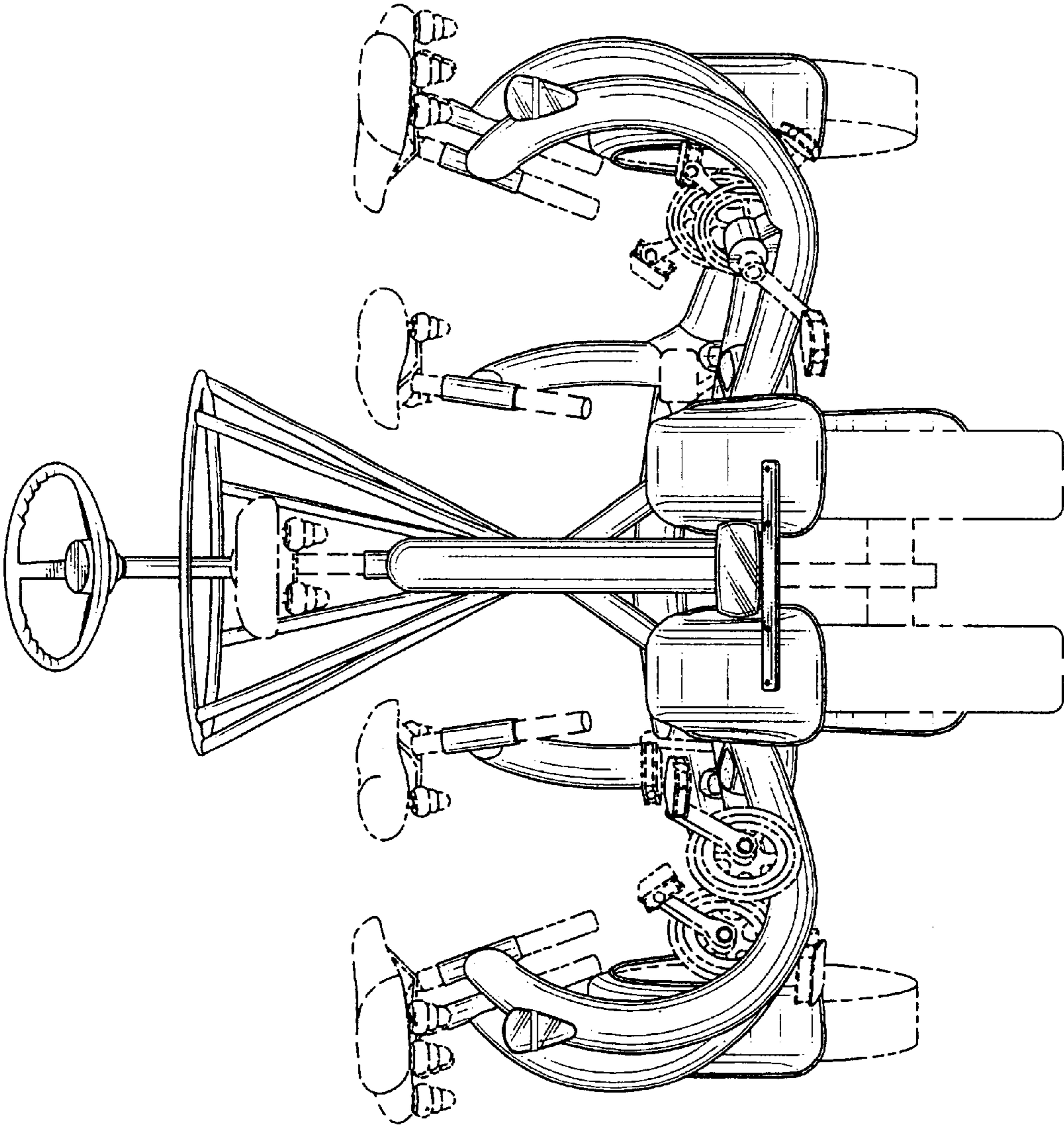


FIG.4