

US00D520912S

(12) **United States Design Patent**
Knight et al.

(10) **Patent No.:** **US D520,912 S**

(45) **Date of Patent:** **** May 16, 2006**

(54) **ALL-TERRAIN VEHICLE**

D436,559 S * 1/2001 Fujieda D12/107

(75) Inventors: **Mark Adam Knight**, Laguna Niguel,
CA (US); **Ryo Nishizawa**, Akashi (JP);
Masatoshi Nakamura, Kobe (JP);
Seiichi Ino, Kakogawa (JP)

* cited by examiner

Primary Examiner—Alan P. Douglas

Assistant Examiner—Linda Brooks

(74) *Attorney, Agent, or Firm*—Alleman Hall McCoy
Russell & Tuttle LLP

(73) Assignee: **Kawasaki Jukogyo Kabushiki Kaisha**,
Kobe (JP)

(57) **CLAIM**

(**) Term: **14 Years**

The ornamental design for an all-terrain vehicle, as shown
and described.

(21) Appl. No.: **29/206,308**

DESCRIPTION

(22) Filed: **May 27, 2004**

(51) **LOC (8) Cl.** **12-11**

(52) **U.S. Cl.** **D12/107**

(58) **Field of Classification Search** D12/3,
D12/86, 87, 107, 110; 180/225, 229, 233,
180/311, 312, 315

See application file for complete search history.

FIG. 1 is a front view of an all-terrain vehicle according to
one embodiment of the present invention.

FIG. 2 is a rear view of the all-terrain vehicle of FIG. 1.

FIG. 3 is a top view of the all-terrain vehicle of FIG. 1.

FIG. 4 is a bottom view of the all-terrain vehicle of FIG. 1.

FIG. 5 is a left side view of the all-terrain vehicle of FIG. 1.

FIG. 6 is a right side view of the all-terrain vehicle of FIG.
1.

FIG. 7 is a front perspective view of the all-terrain vehicle
of FIG. 1; and,

FIG. 8 is a rear perspective view of the all-terrain vehicle of
FIG. 1.

(56) **References Cited**

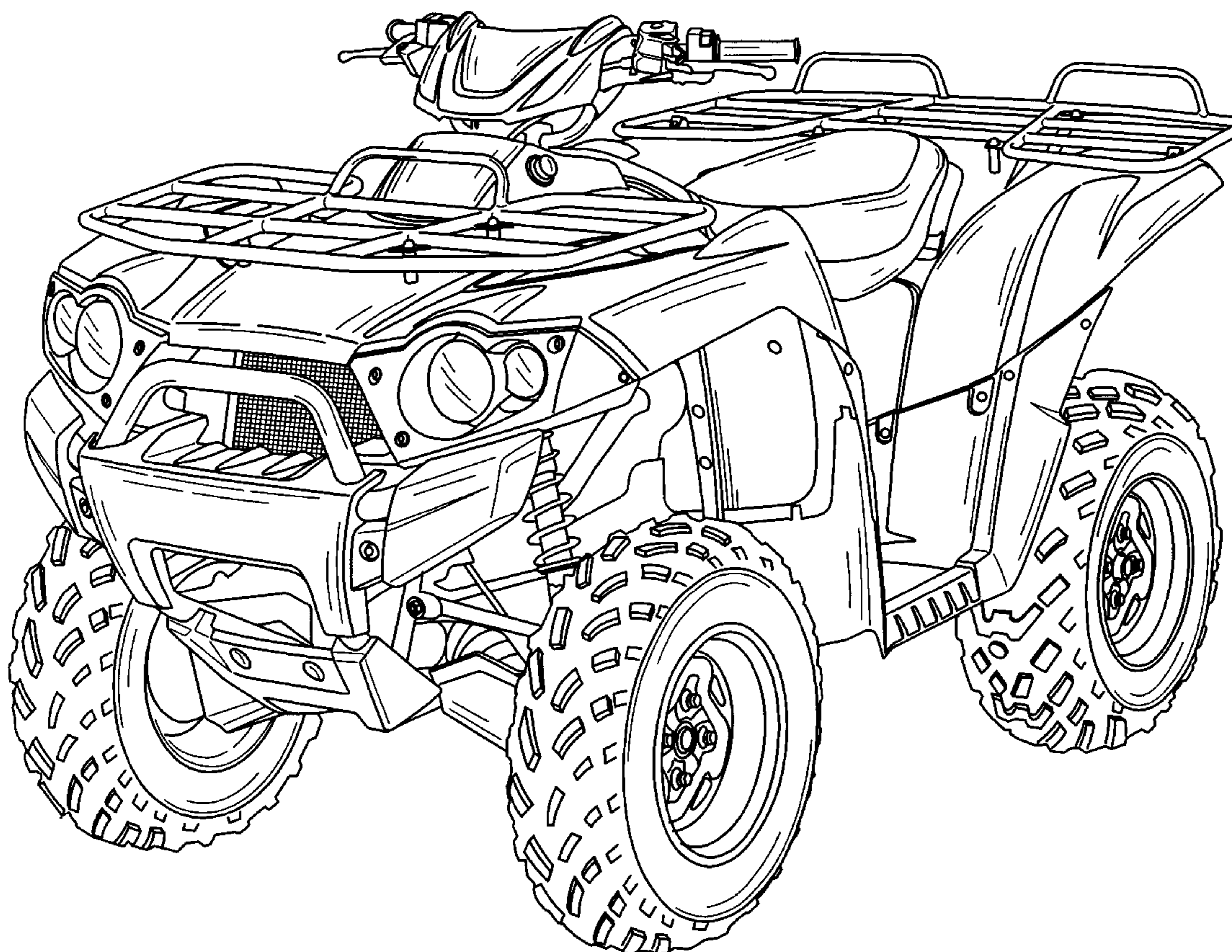
U.S. PATENT DOCUMENTS

D427,110 S * 6/2000 Saito et al. D12/107

D428,363 S * 7/2000 Sugimoto et al. D12/107

D429,663 S * 8/2000 Tamashima et al. D12/107

1 Claim, 8 Drawing Sheets



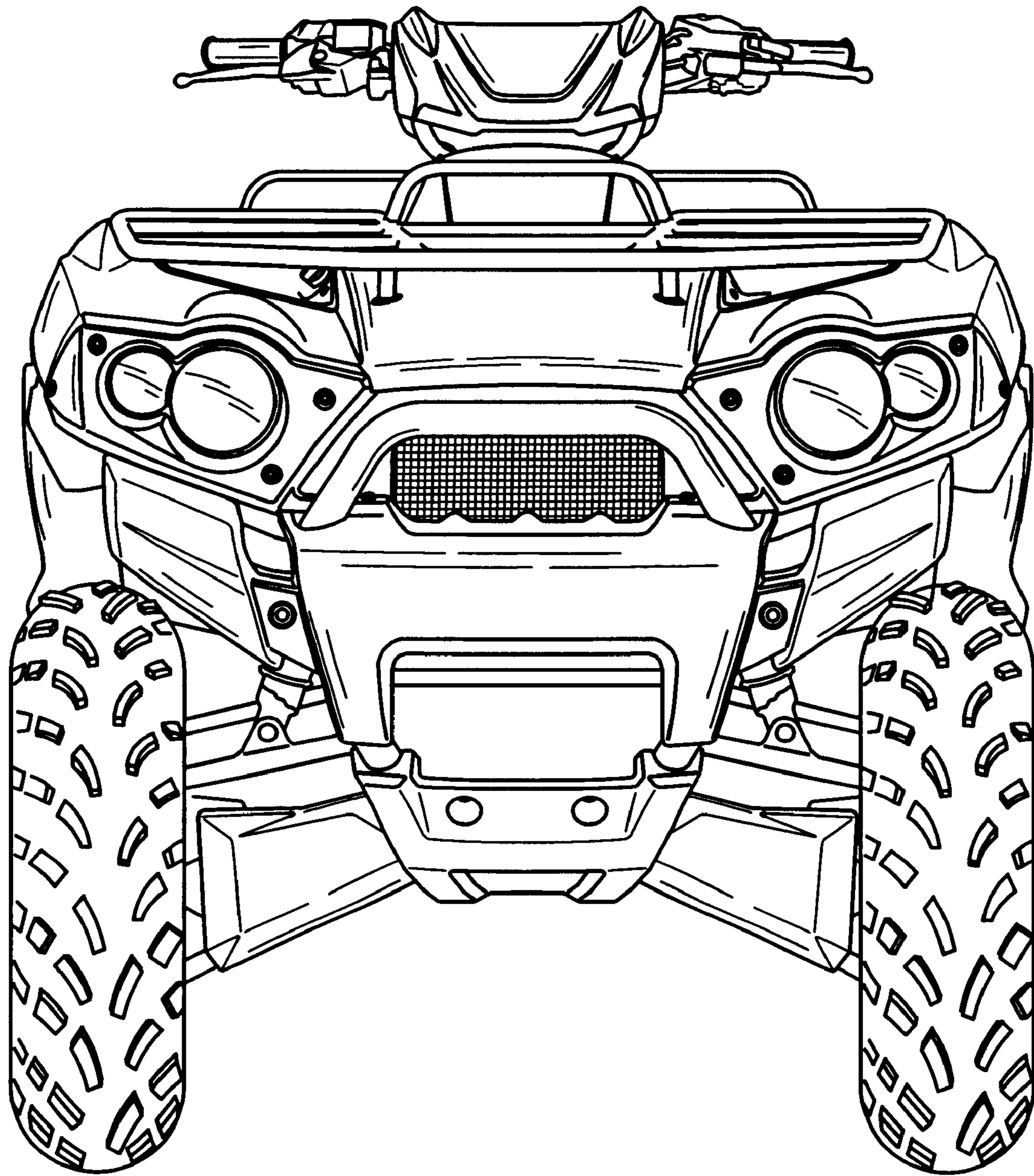


FIG. 1

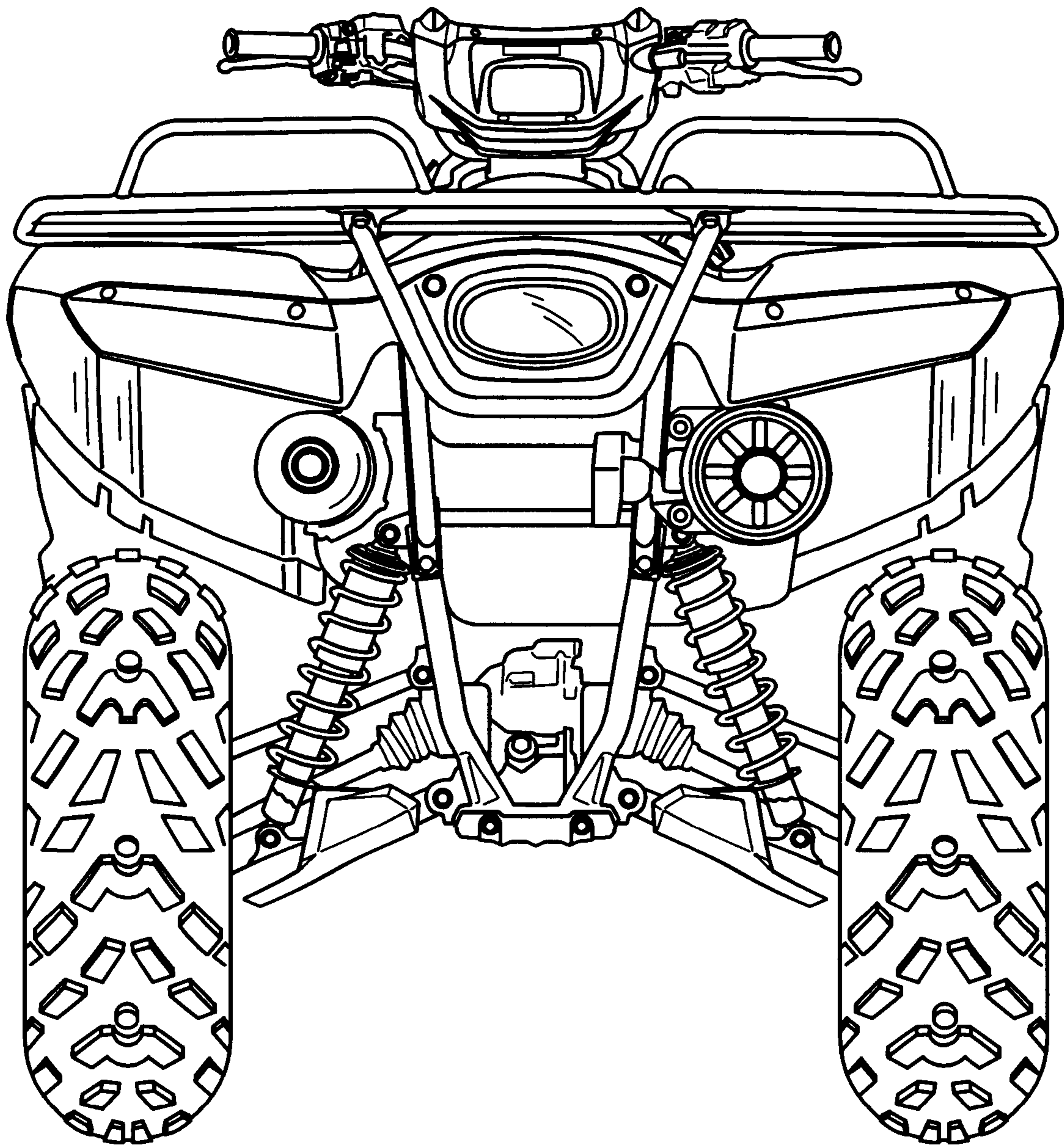


FIG. 2

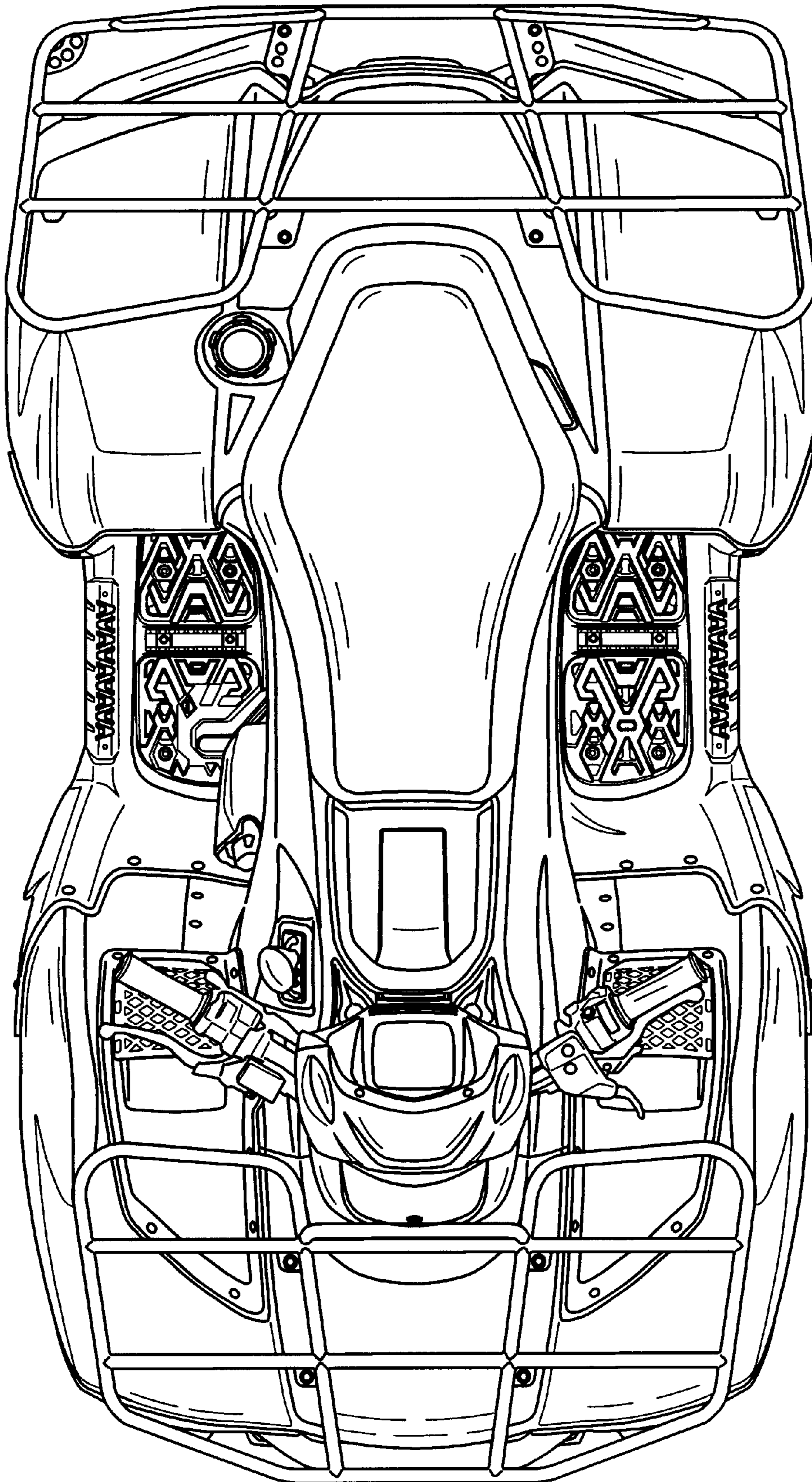


FIG. 3

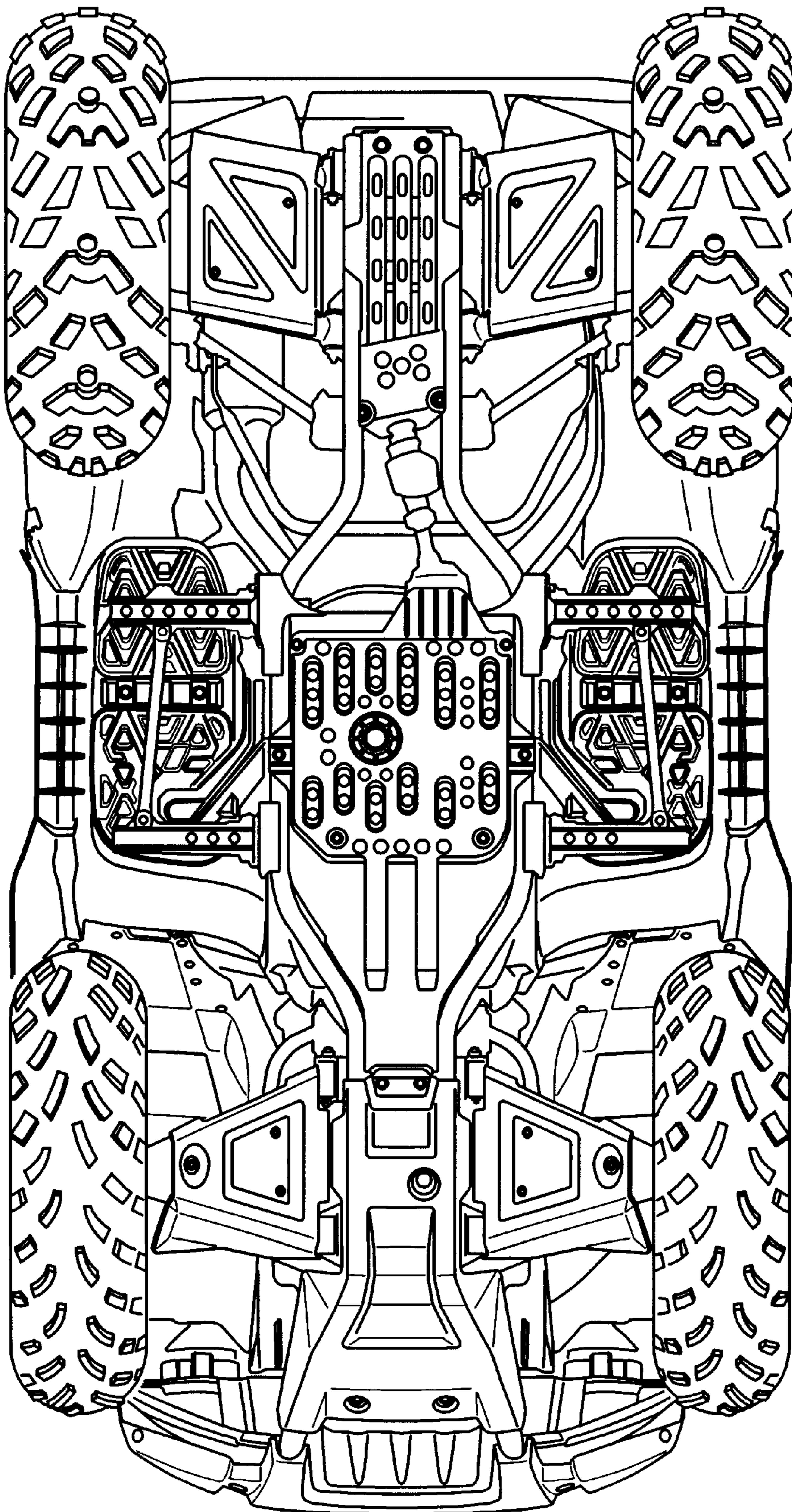


FIG. 4

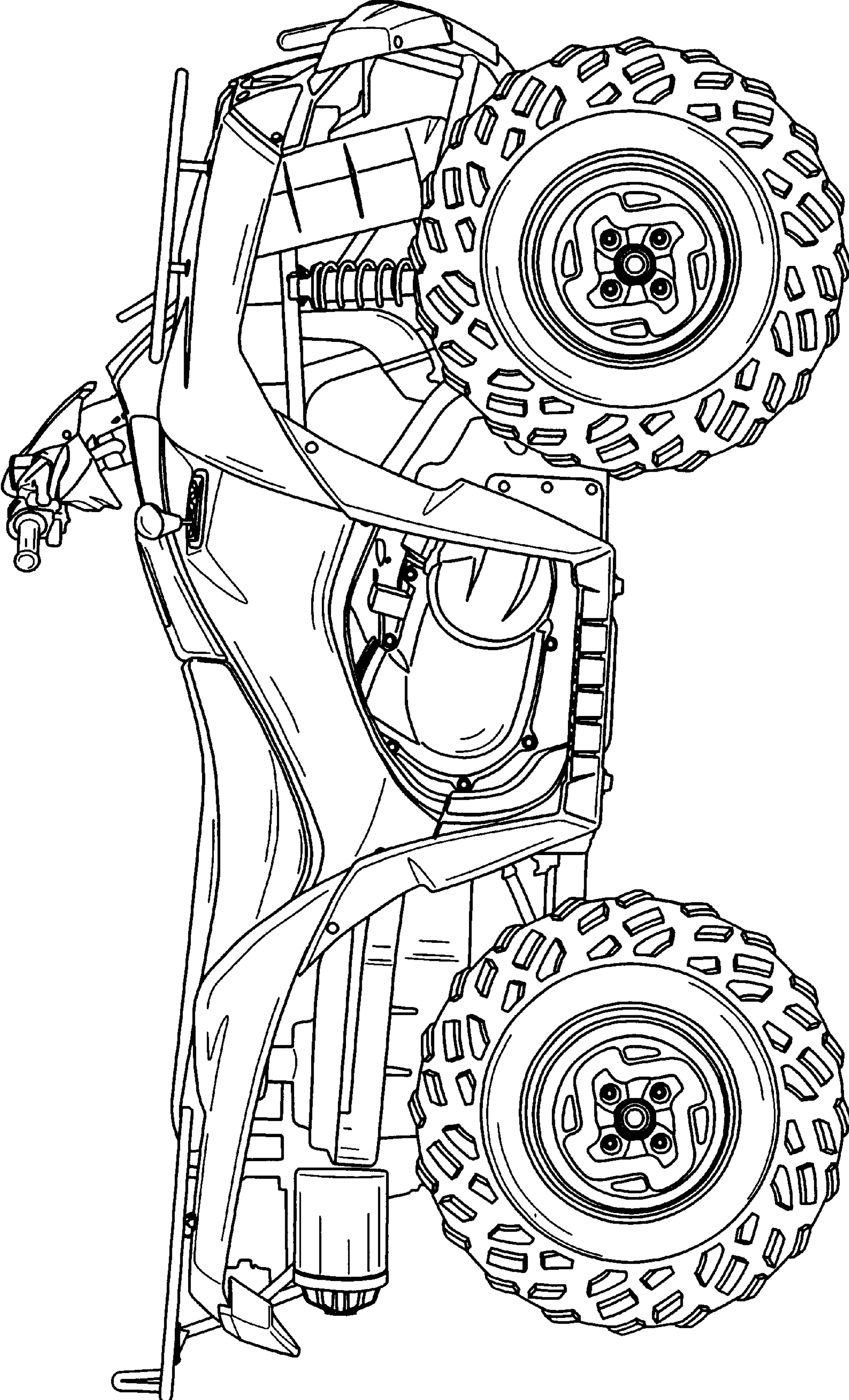


FIG. 5

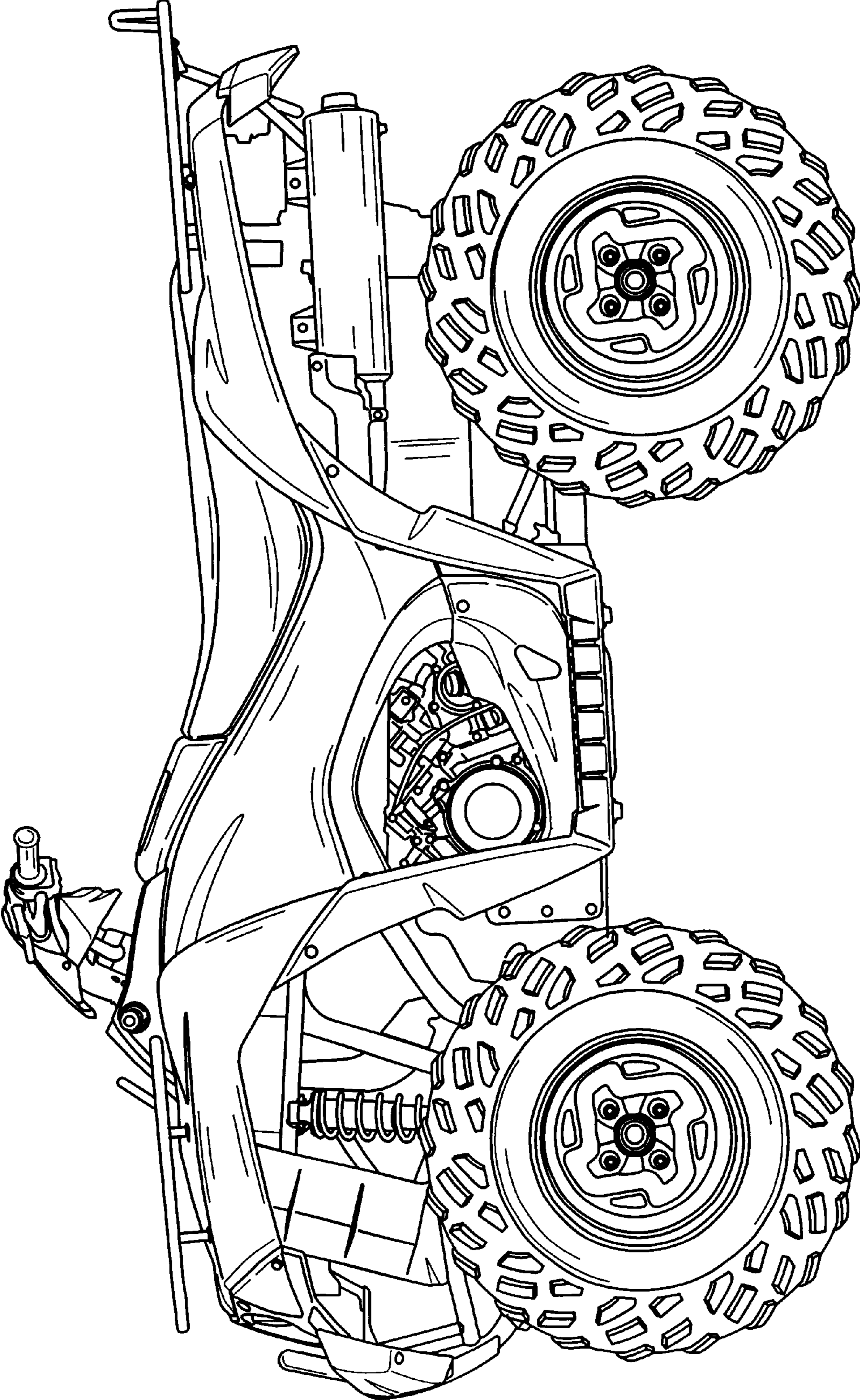


FIG. 6

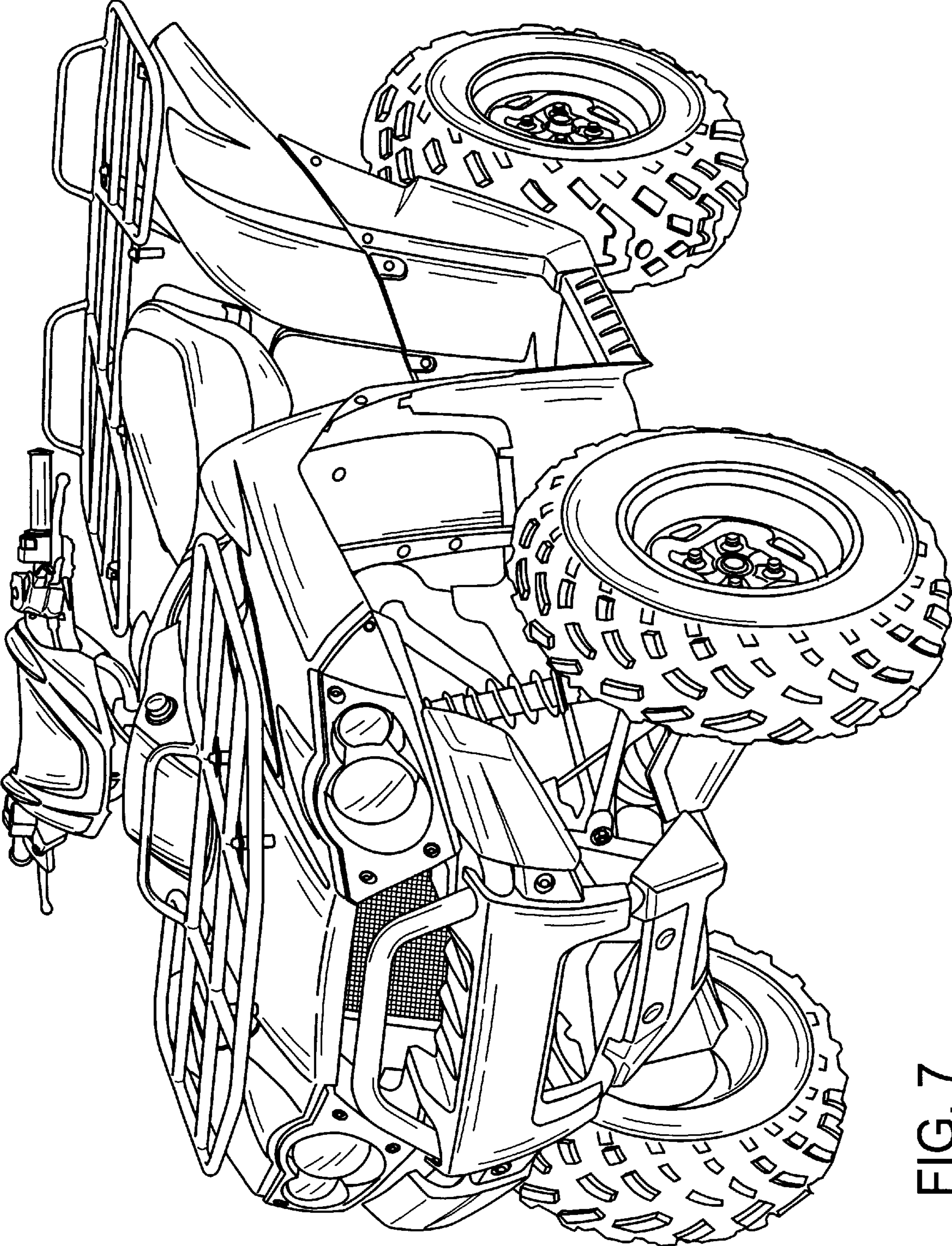


FIG. 7

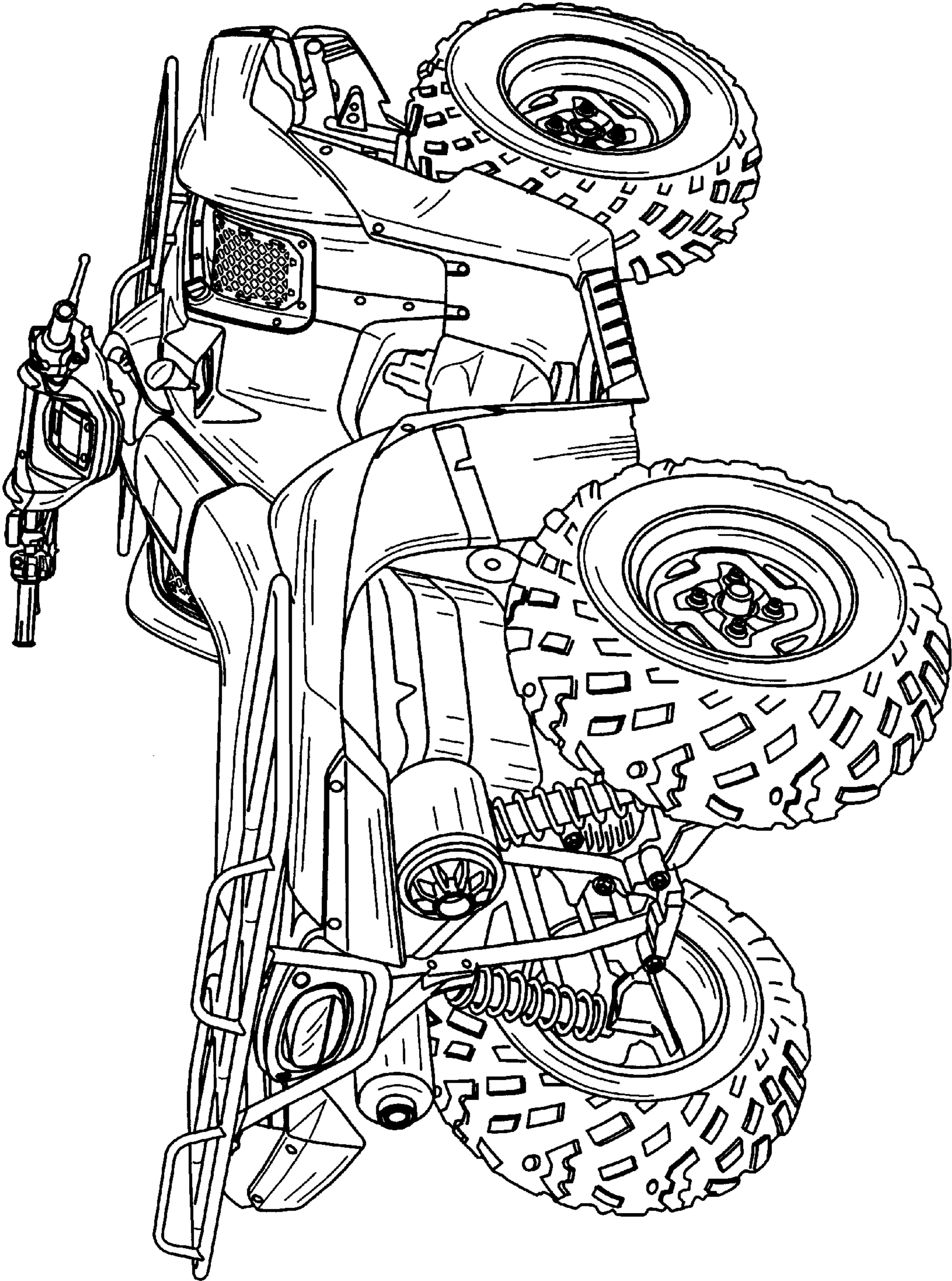


FIG. 8