



US00D520908S

(12) **United States Design Patent**
Haymond

(10) **Patent No.:** **US D520,908 S**

(45) **Date of Patent:** **** May 16, 2006**

(54) **BUCKLE**

(75) Inventor: **Bradley J. Haymond**, Aurora, IL (US)

(73) Assignee: **Illinois Tool Works Inc.**, Glenview, IL (US)

(**) Term: **14 Years**

(21) Appl. No.: **29/224,443**

(22) Filed: **Mar. 1, 2005**

(51) **LOC (8) Cl.** **02-07**

(52) **U.S. Cl.** **D11/218**

(58) **Field of Classification Search** D11/200,
D11/201, 208–210, 212–218, 220, 230–234,
D11/236–237, 86–87, 94; 63/15.2, 15; 24/307,
24/625, 616, 200, 196, 171, 169, 112, 614,
24/615

See application file for complete search history.

(56) **References Cited**

U.S. PATENT DOCUMENTS

4,791,709	A	*	12/1988	Fildan	24/171
D340,008	S	*	10/1993	Anscher	D11/218
D352,254	S	*	11/1994	Prosser	D11/218
D398,262	S	*	9/1998	Anscher	D11/218
D399,172	S	*	10/1998	Anscher	D11/218

D446,473	S	*	8/2001	Chung	D11/218
D456,309	S	*	4/2002	Yoshiguchi	D11/218
D467,838	S	*	12/2002	Yoshiguchi	D11/218
D483,294	S	*	12/2003	Uehara	D11/218
D505,094	S	*	5/2005	Matoba et al.	D11/218
D507,990	S	*	8/2005	Yoshiguchi	D11/218
D508,218	S	*	8/2005	Yoshiguchi	D11/218

* cited by examiner

Primary Examiner—Ralf Seifert

(74) *Attorney, Agent, or Firm*—Mark W. Croll; Paul F. Donovan

(57) **CLAIM**

The ornamental design for a buckle, as shown and described herein.

DESCRIPTION

FIG. 1 is a perspective view of a buckle showing the new design;

FIG. 2 is a top view thereof;

FIG. 3 is a side view thereof, the opposite side being the same as this side;

FIG. 4 is a bottom view thereof;

FIG. 5 is an end view thereof; and,

FIG. 6 is an end view opposite that of FIG. 5.

1 Claim, 3 Drawing Sheets

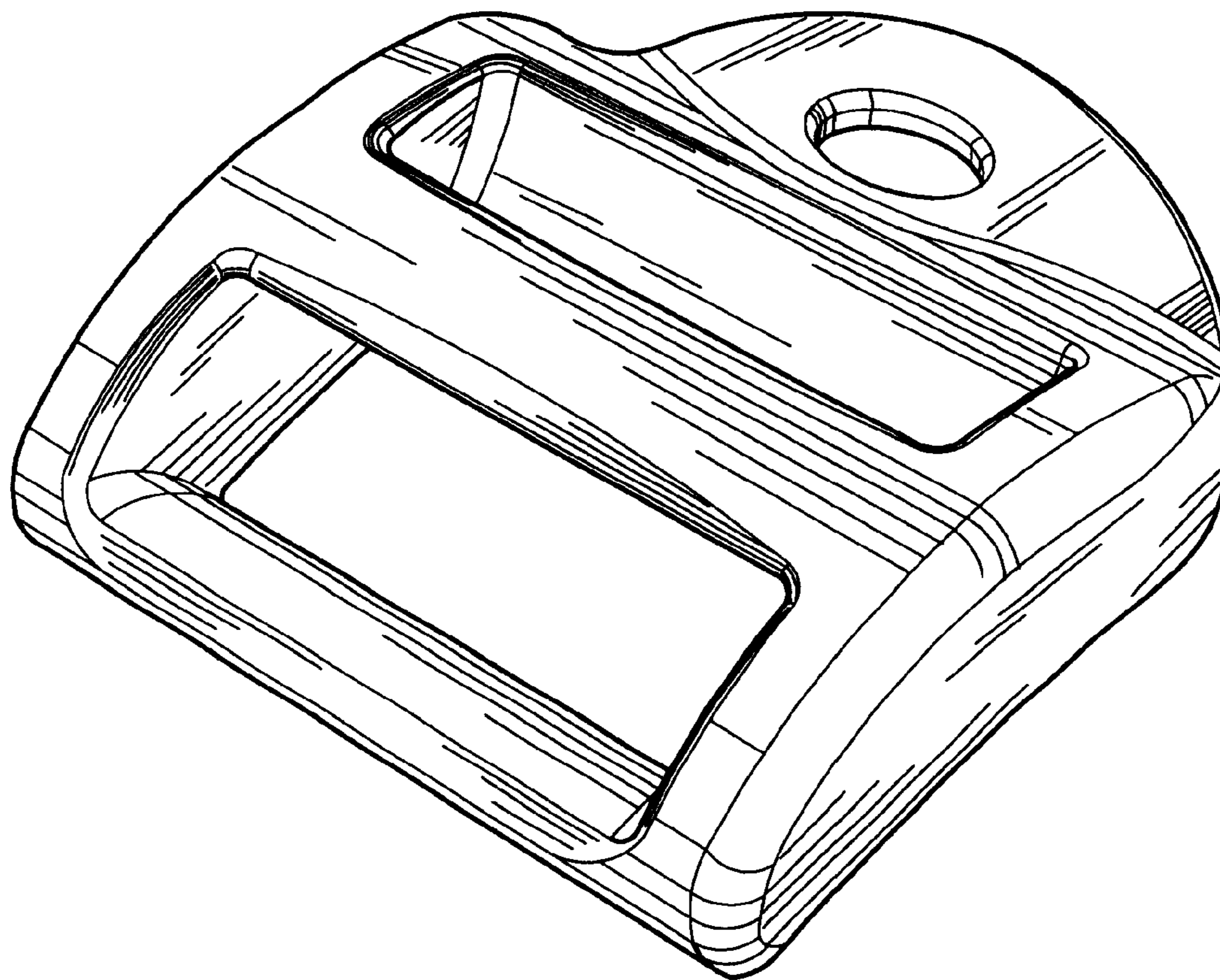


FIG. 1

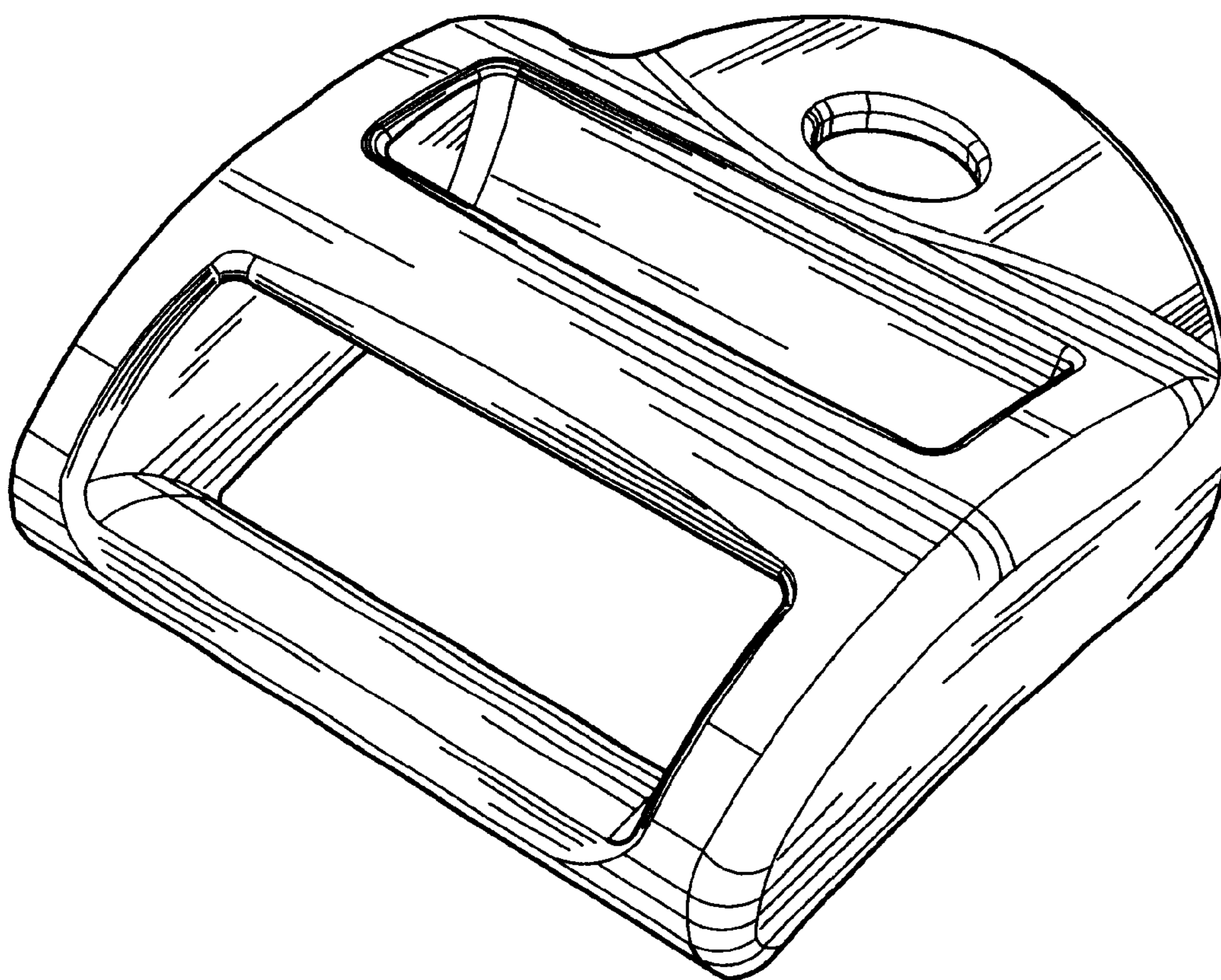


FIG. 2

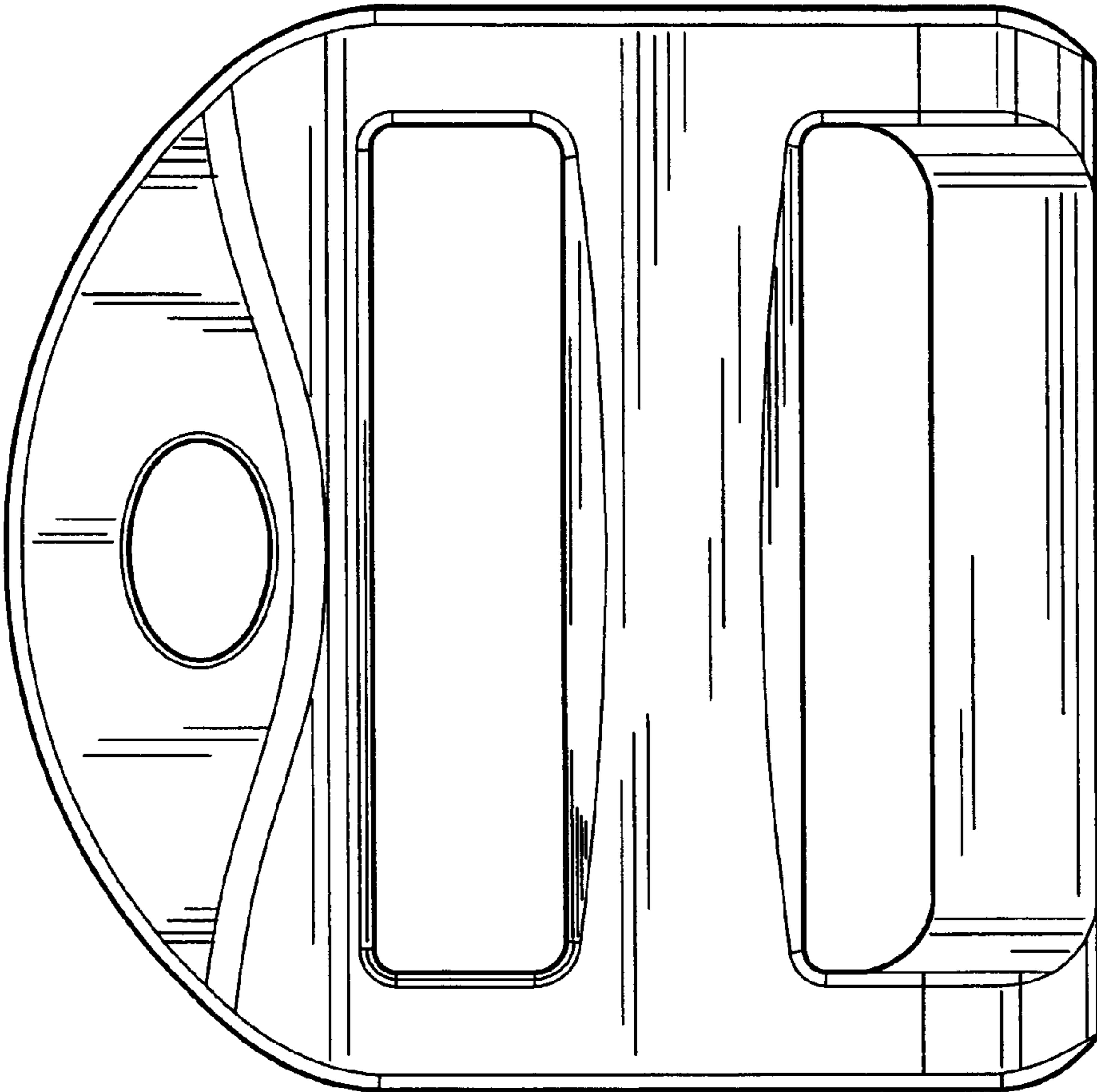


FIG. 3

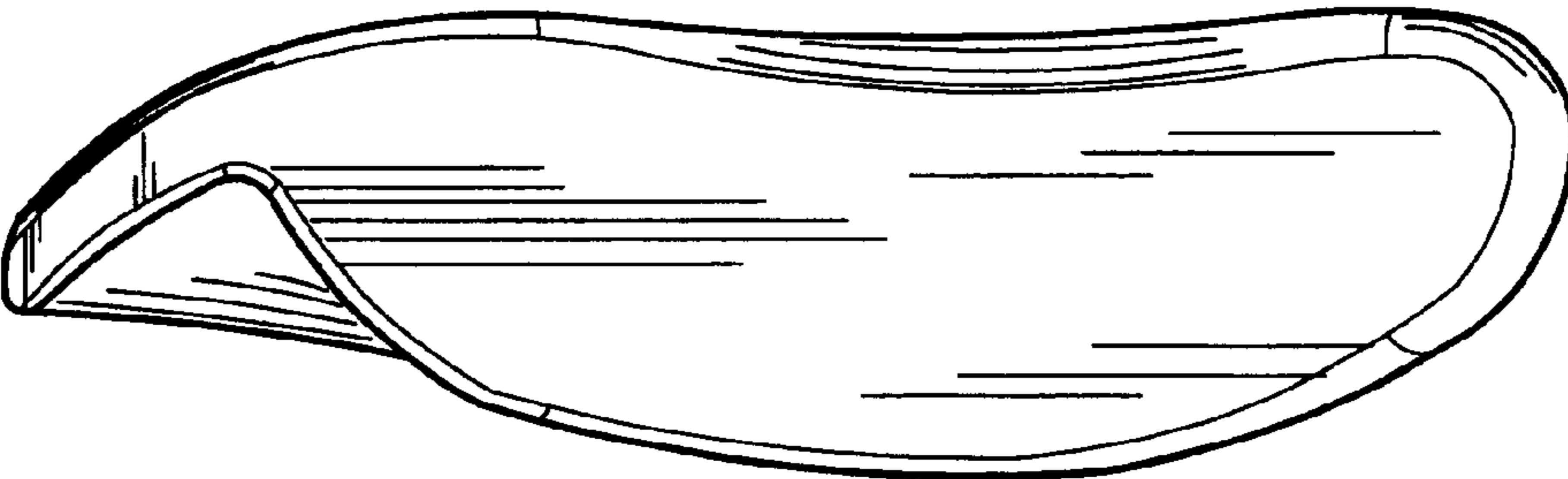


FIG. 5



FIG. 6

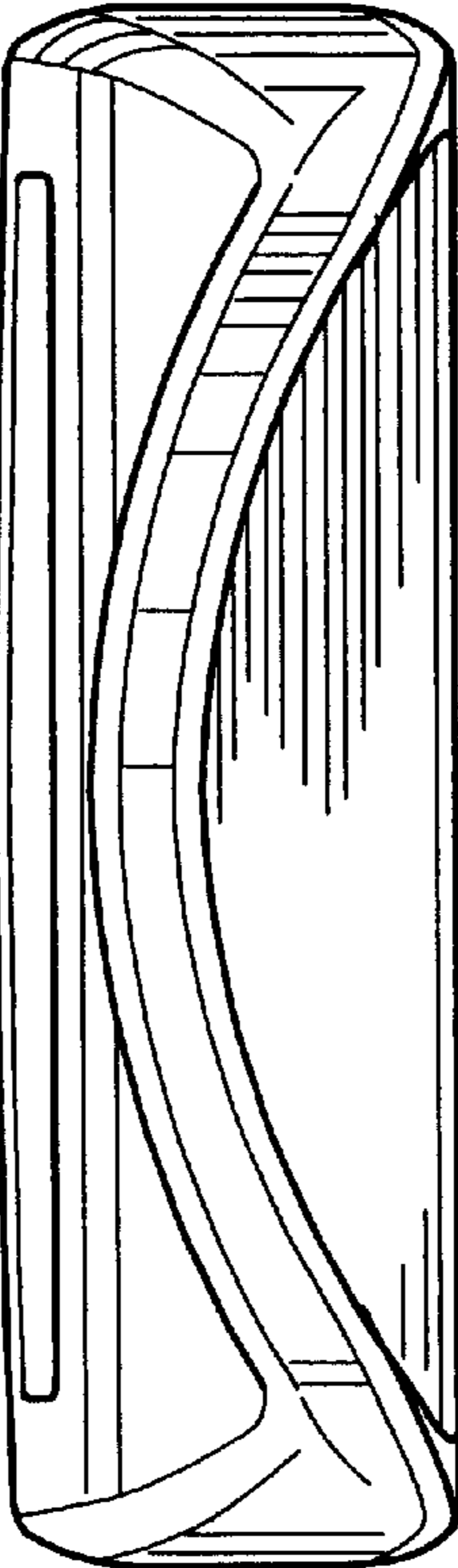


FIG. 4

