

US00D520906S

(12) **United States Design Patent**
Olin

(10) **Patent No.:** **US D520,906 S**

(45) **Date of Patent:** **** May 16, 2006**

(54) **CENTERPIECE**

(75) Inventor: **Troy D. Olin**, St. Paul, MN (US)

(73) Assignee: **Taymark, Inc.**, North Mankato, MN (US)

(**) Term: **14 Years**

(21) Appl. No.: **29/234,088**

(22) Filed: **Jul. 13, 2005**

(51) **LOC (8) Cl.** **11-02**

(52) **U.S. Cl.** **D11/157; D11/131**

(58) **Field of Classification Search** D11/117-131,
D11/144, 149, 157, 164; D6/329, 396, 397,
D6/403, 404, 405, 450, 458, 462; D20/10,
D20/12, 19, 29, 36; D19/75, 77, 80, 82, 95,
D19/97; D21/514; D16/201, 205, 214, 230;
428/7-13, 542.2, 542.4, 542.6

See application file for complete search history.

(56) **References Cited**

U.S. PATENT DOCUMENTS

D137,995 S	*	5/1944	Hicks	D6/303
D153,090 S	*	3/1949	Sexton	D7/704
D168,610 S	*	1/1953	Bach et al.	D16/205
2,890,536 A	*	6/1959	Sly	40/412
D191,004 S	*	8/1961	Morris	D11/131
D248,266 S	*	6/1978	Kola	D6/403
D254,662 S	*	4/1980	Lucas et al.	D11/157

D308,894 S	*	6/1990	Tsai	D20/10
D330,345 S	*	10/1992	Elmer	D11/125
D382,509 S	*	8/1997	Epperson	D11/131
D407,665 S	*	4/1999	Churchville	D11/132
D432,811 S	*	10/2000	Kulkey	D6/404

OTHER PUBLICATIONS

DODGE, Inc. Silver Anniversary 1955 TROPHIES Catalog, p. 38: Newsreel Camera figure in third row, 2nd from left.*

* cited by examiner

Primary Examiner—Catherine Tuttle

(74) *Attorney, Agent, or Firm*—Gray, Plant, Mooty & Bennet, P.A.; Peter Forrest

(57) **CLAIM**

I claim the ornamental design for a centerpiece, as shown and described.

DESCRIPTION

FIG. 1 is a perspective view of a centerpiece showing my new design;

FIG. 2 is a right side view of the same;

FIG. 3 is a left side view of the same

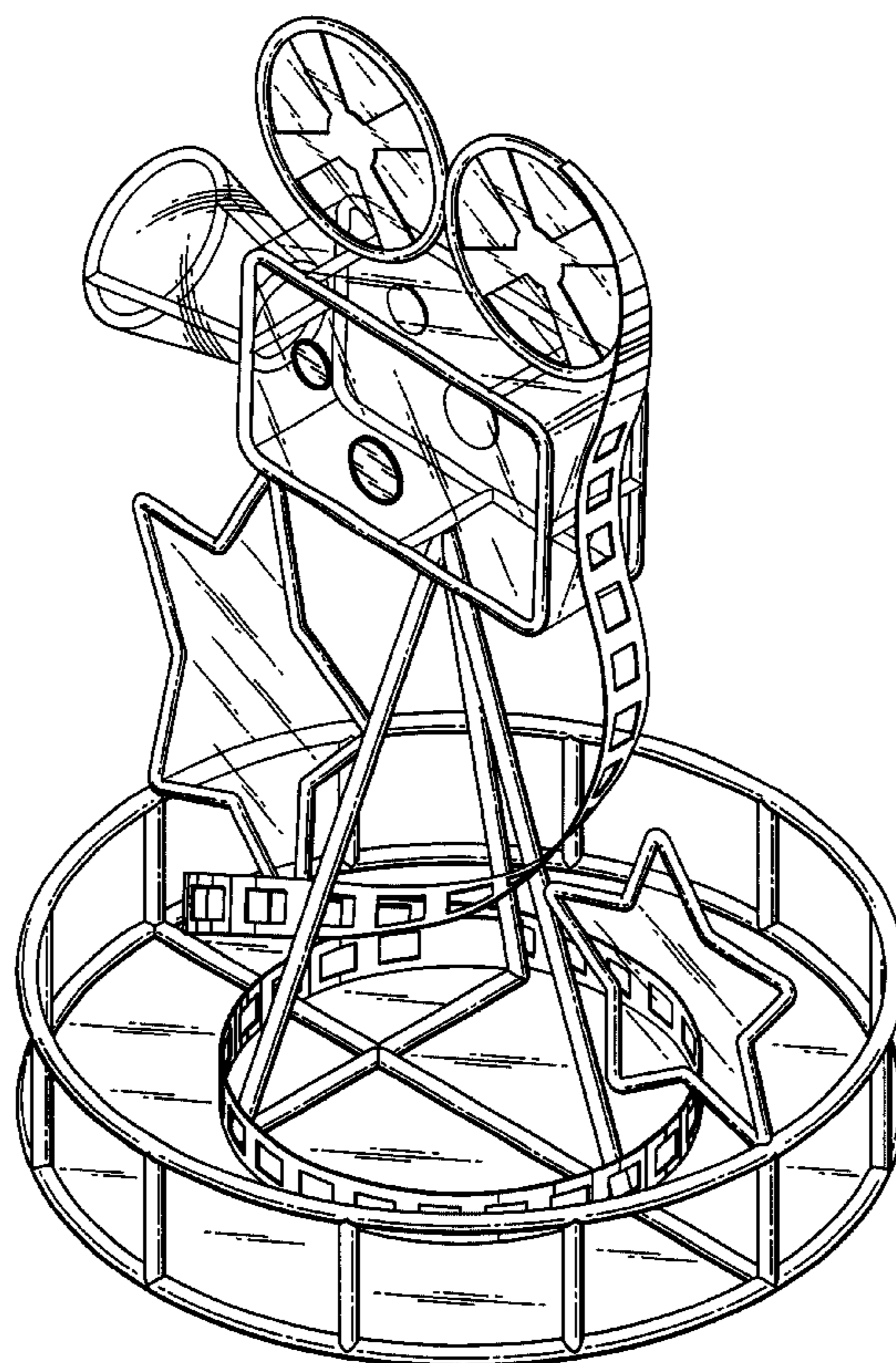
FIG. 4 is a back view of the same;

FIG. 5 is a front view of the same;

FIG. 6 is a top view of the same; and,

FIG. 7 is a bottom view of the same.

1 Claim, 7 Drawing Sheets



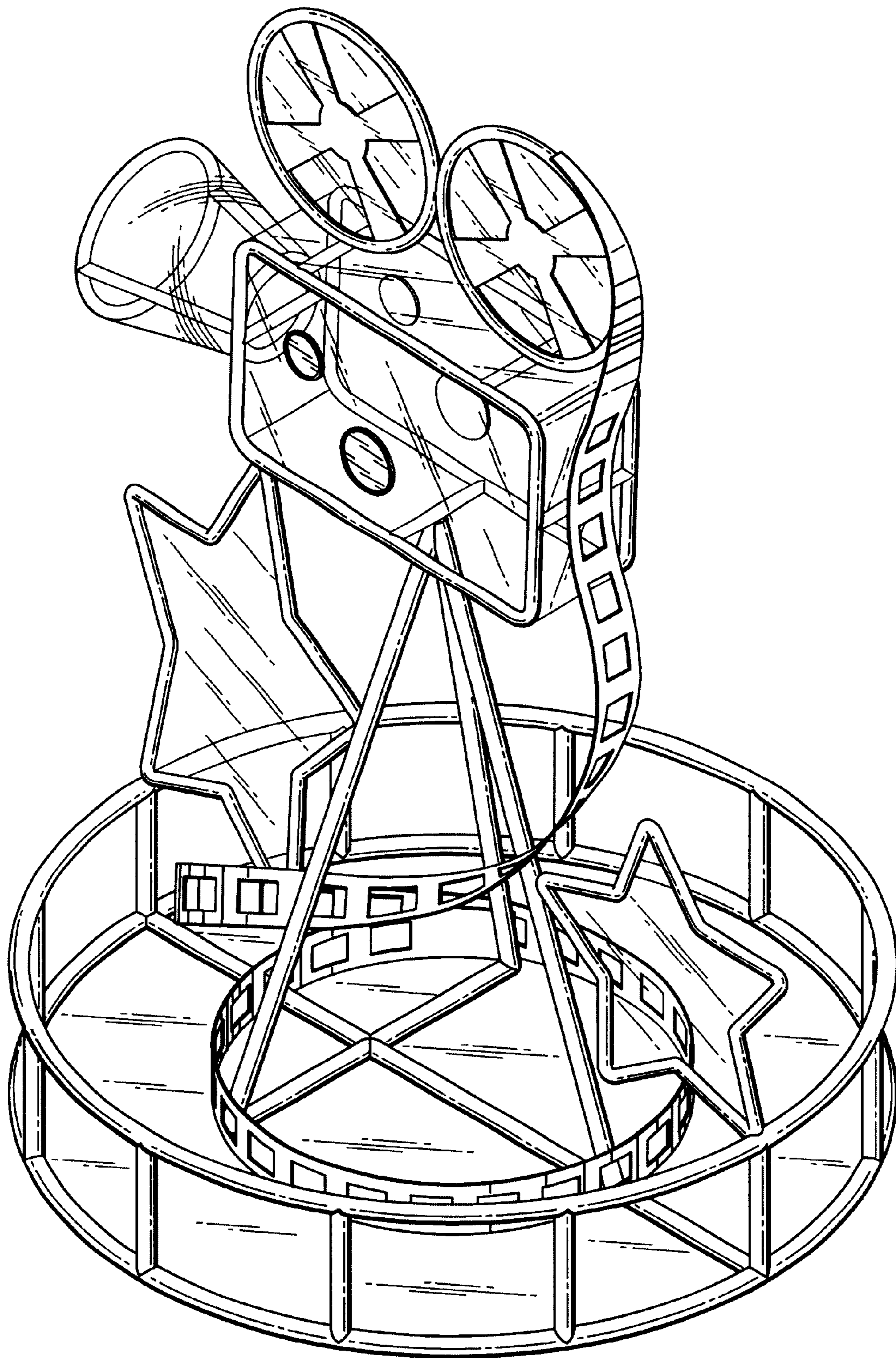


Fig. 1

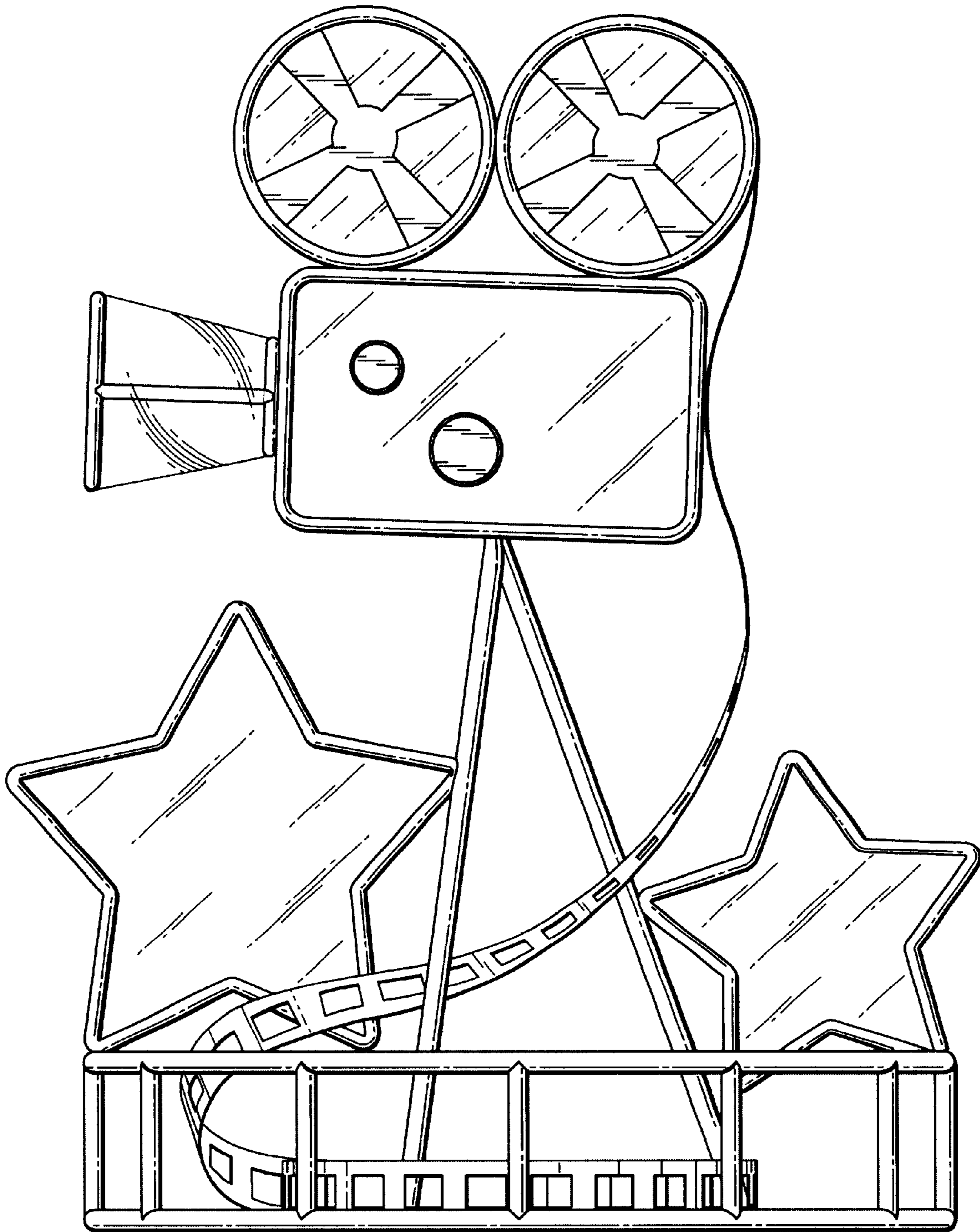


Fig. 2

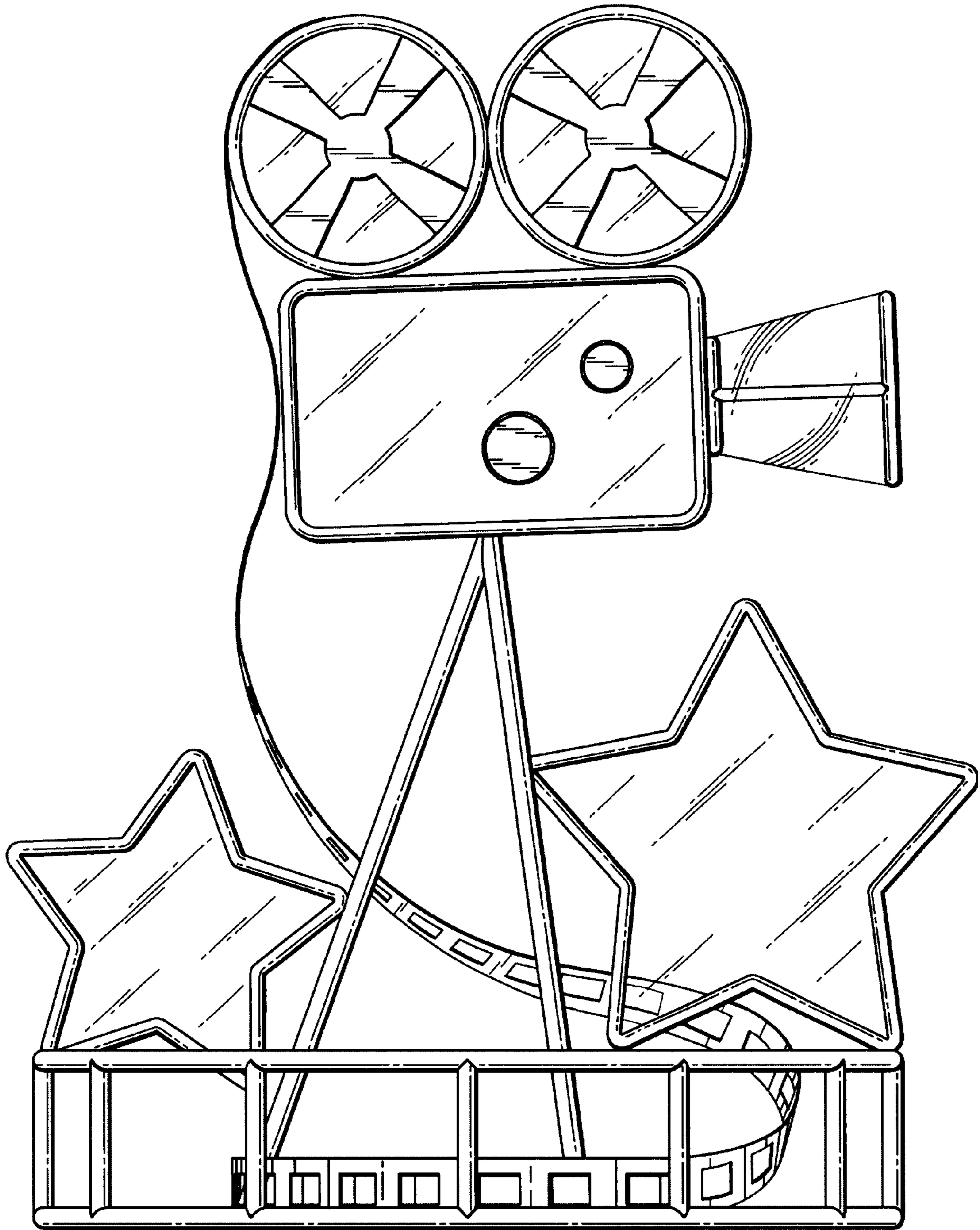


Fig. 3

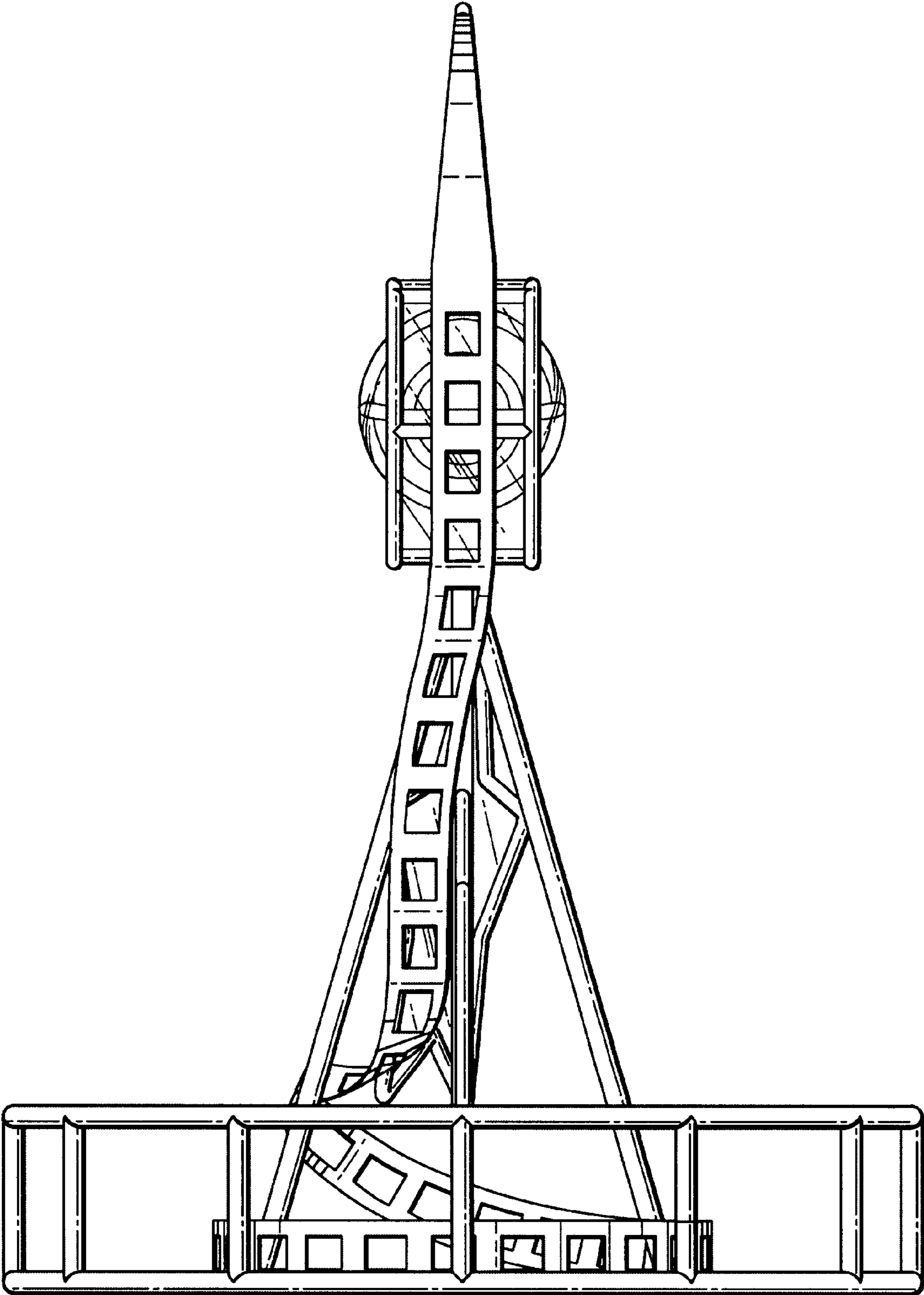


Fig. 4

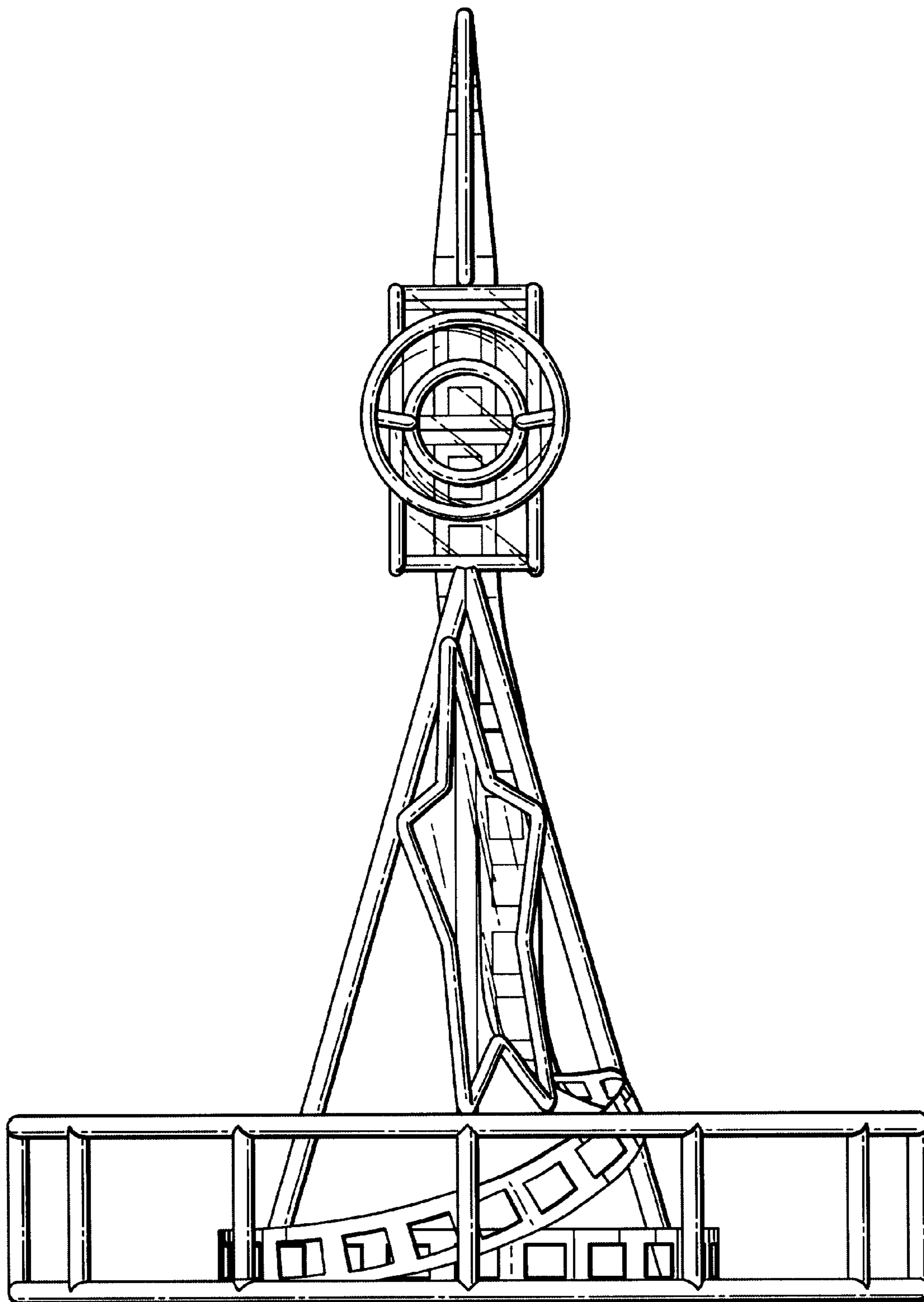


Fig. 5

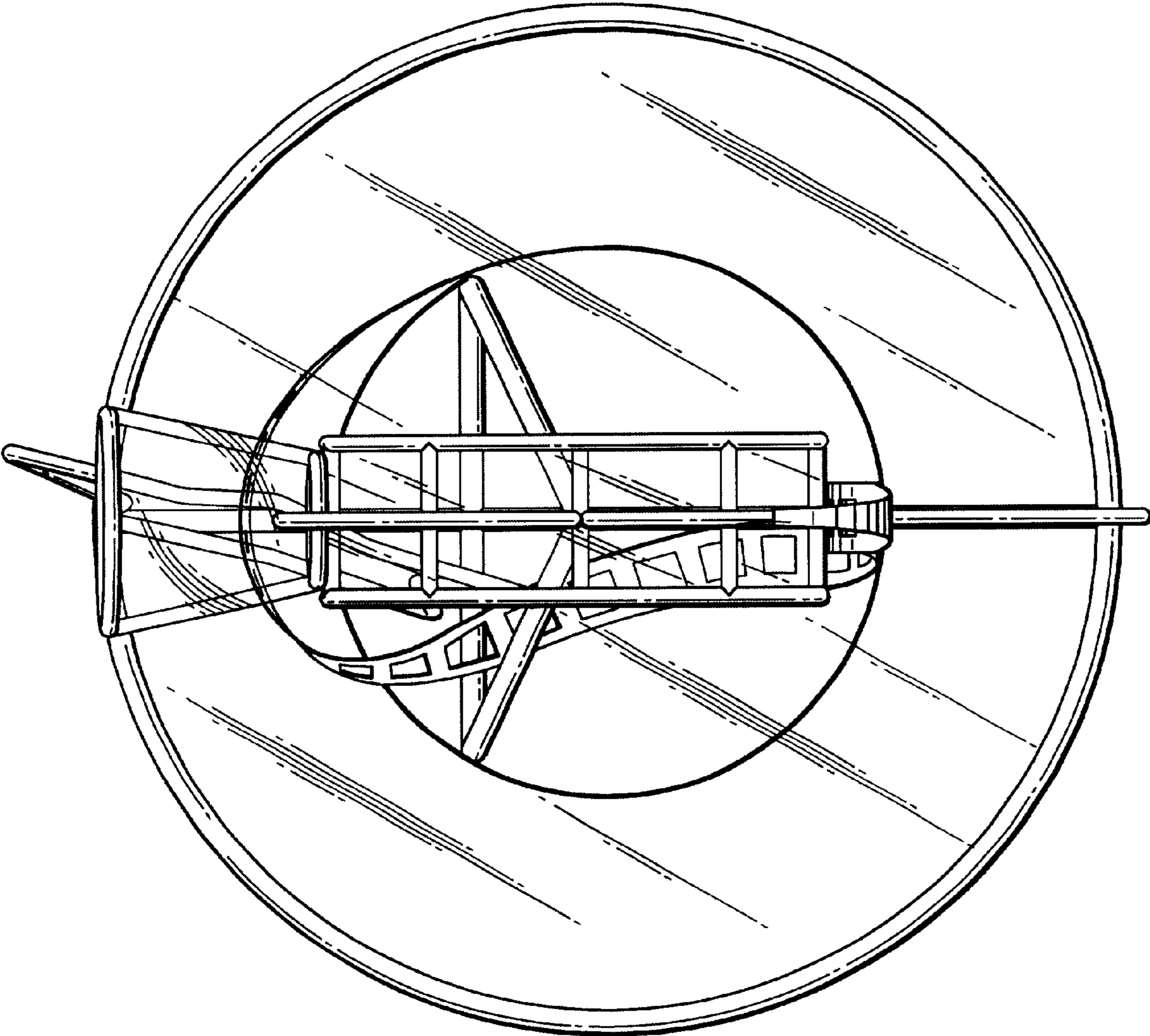


Fig. 6

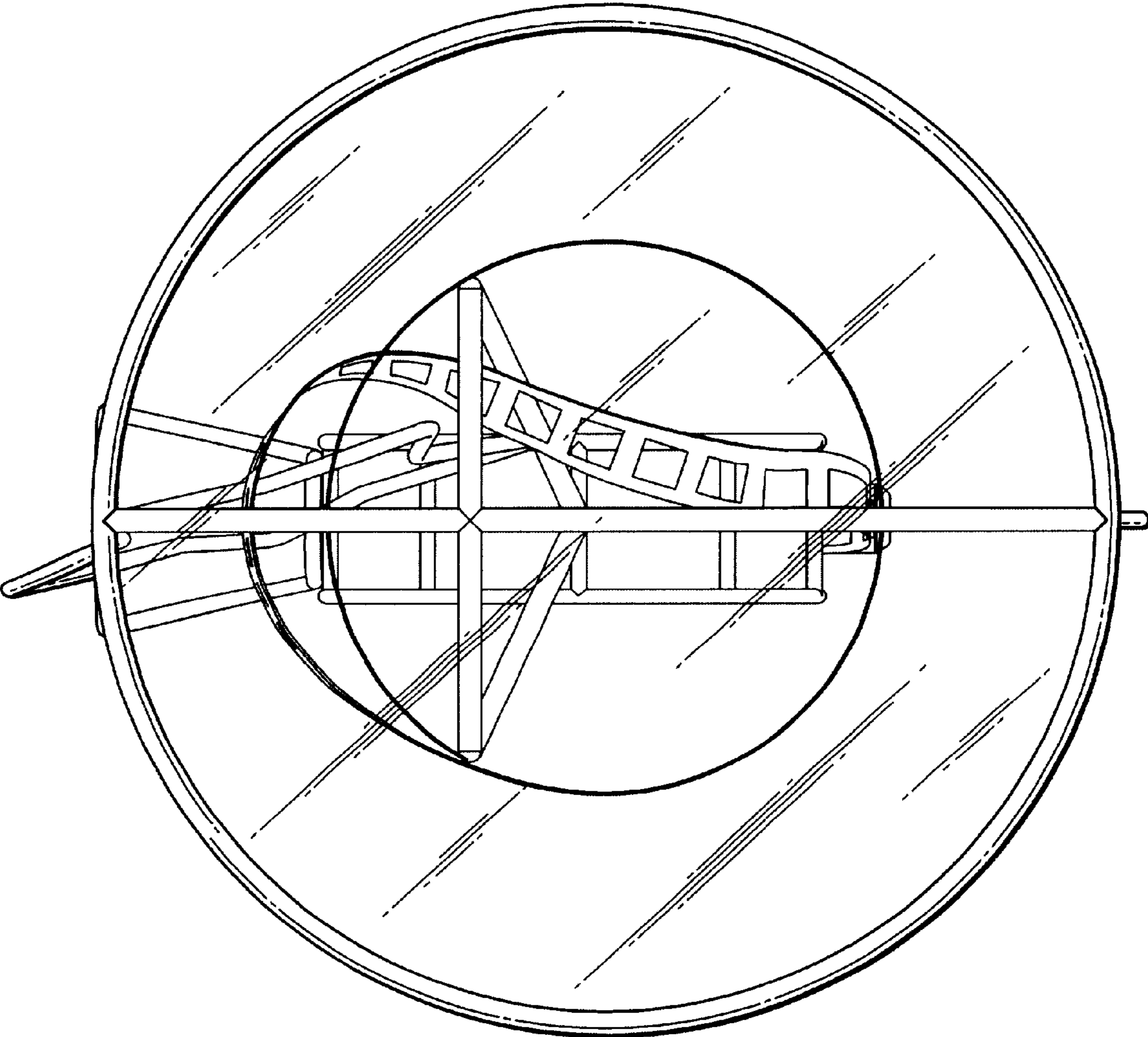


Fig. 7