



US00D520905S

(12) **United States Design Patent**
Andrews

(10) **Patent No.:** **US D520,905 S**

(45) **Date of Patent:** **** May 16, 2006**

(54) **DISPLAY**

(76) **Inventor:** **Mary Lee Andrews**, 127 County Road,
752, Riceville, TN (US) 37370

(**) **Term:** **14 Years**

(21) **Appl. No.:** **29/231,432**

(22) **Filed:** **Jun. 3, 2005**

(51) **LOC (8) Cl.** **11-02**

(52) **U.S. Cl.** **D11/133; D11/96; D11/140**

(58) **Field of Classification Search** D11/200–204,
D11/229, 238, 1, 2, 40, 43, 44, 46–48, 66,
D11/74, 75, 77, 79, 81, 95–99, 132, 133,
D11/140; D3/207, 208, 211; D6/300–314;
D13/183; D20/10, 13, 19, 23, 29, 40, 42,
D20/43; D99/21, 25, 99; 428/3, 7, 542.2,
428/542.6, 913.3; 40/1, 1.5, 1.6, 124.01–124.04,
40/5, 584, 586, 591, 594, 600, 606.01, 618,
40/621, 642.02, 642.04, 643, 661.01, 661.09,
40/661.11, 798; 63/1.1, 1.16–1.18, 20, 33,
63/40

See application file for complete search history.

(56) **References Cited**

U.S. PATENT DOCUMENTS

D39,245 S * 4/1908 Lederer D11/81
D47,812 S * 9/1915 Cutten D13/183
D109,169 S * 4/1938 Whitehead D6/303

D132,116 S * 4/1942 Steinhardt D3/211
D229,088 S * 11/1973 Antoine, Jr. D11/81
D318,819 S * 8/1991 Geyduschek D11/81
D394,822 S * 6/1998 Swenson et al. D11/77
D455,978 S * 4/2002 Brown D11/98
D464,901 S * 10/2002 Lomax D11/30
D482,983 S * 12/2003 Philcox et al. D11/40
D506,948 S * 7/2005 Gehrke D11/96

* cited by examiner

Primary Examiner—Catherine Tuttle

(74) *Attorney, Agent, or Firm*—Luedeka, Neely & Graham,
P.C.

(57) **CLAIM**

The ornamental design for a display, as shown and
described.

DESCRIPTION

FIG. 1 is a perspective view of a display showing my new
design;

FIG. 2 is a front elevational view of my new design;

FIG. 3 is a back elevational view of my new design;

FIG. 4 is a right side elevational view of my new design;

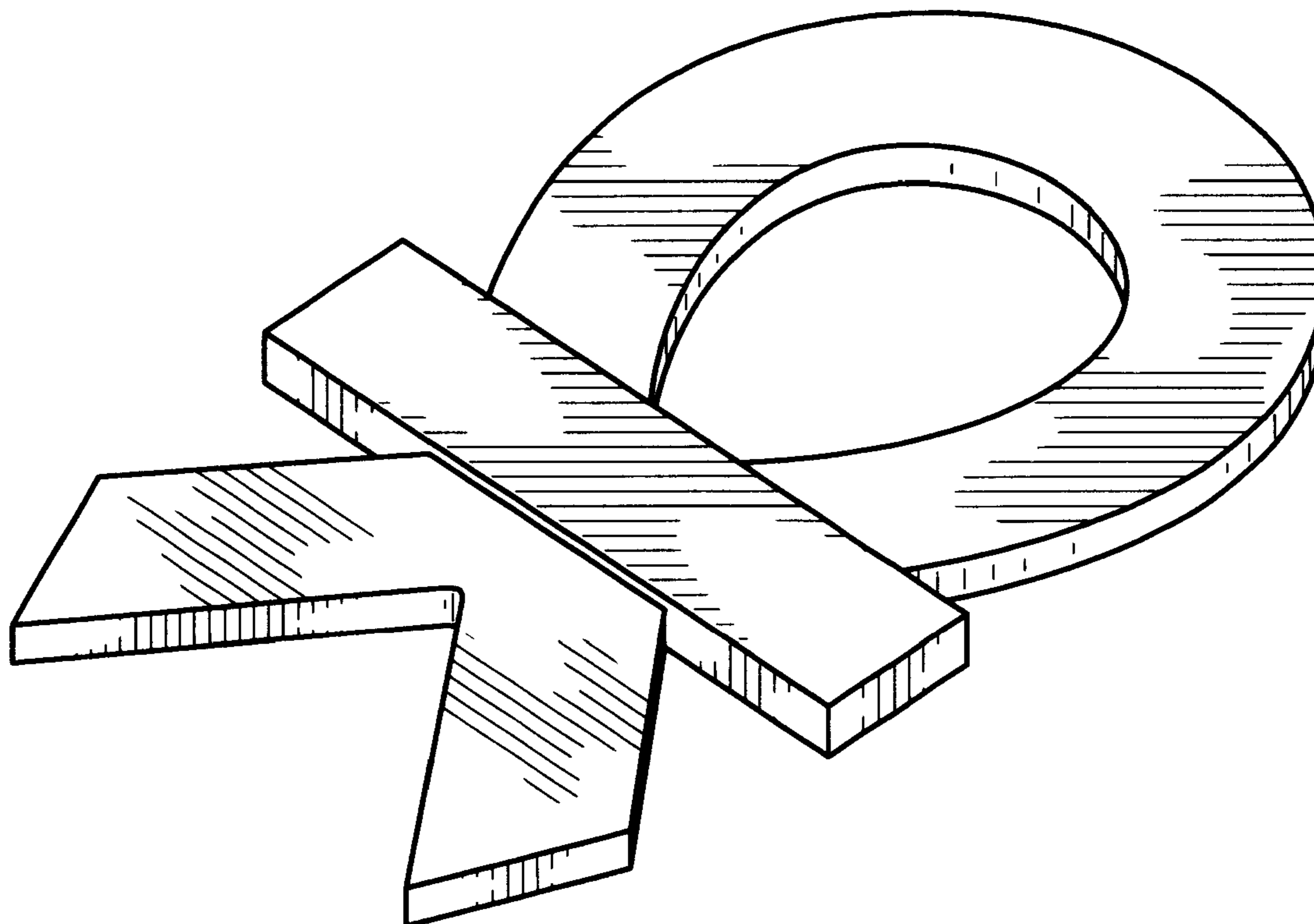
FIG. 5 is a left side elevational view of my new design;

FIG. 6 is a top plan view of my new design; and,

FIG. 7 is a bottom plan view of my new design.

The portion shown in broken lines is for illustrative purposes
only and forms no part of the claimed design.

1 Claim, 7 Drawing Sheets



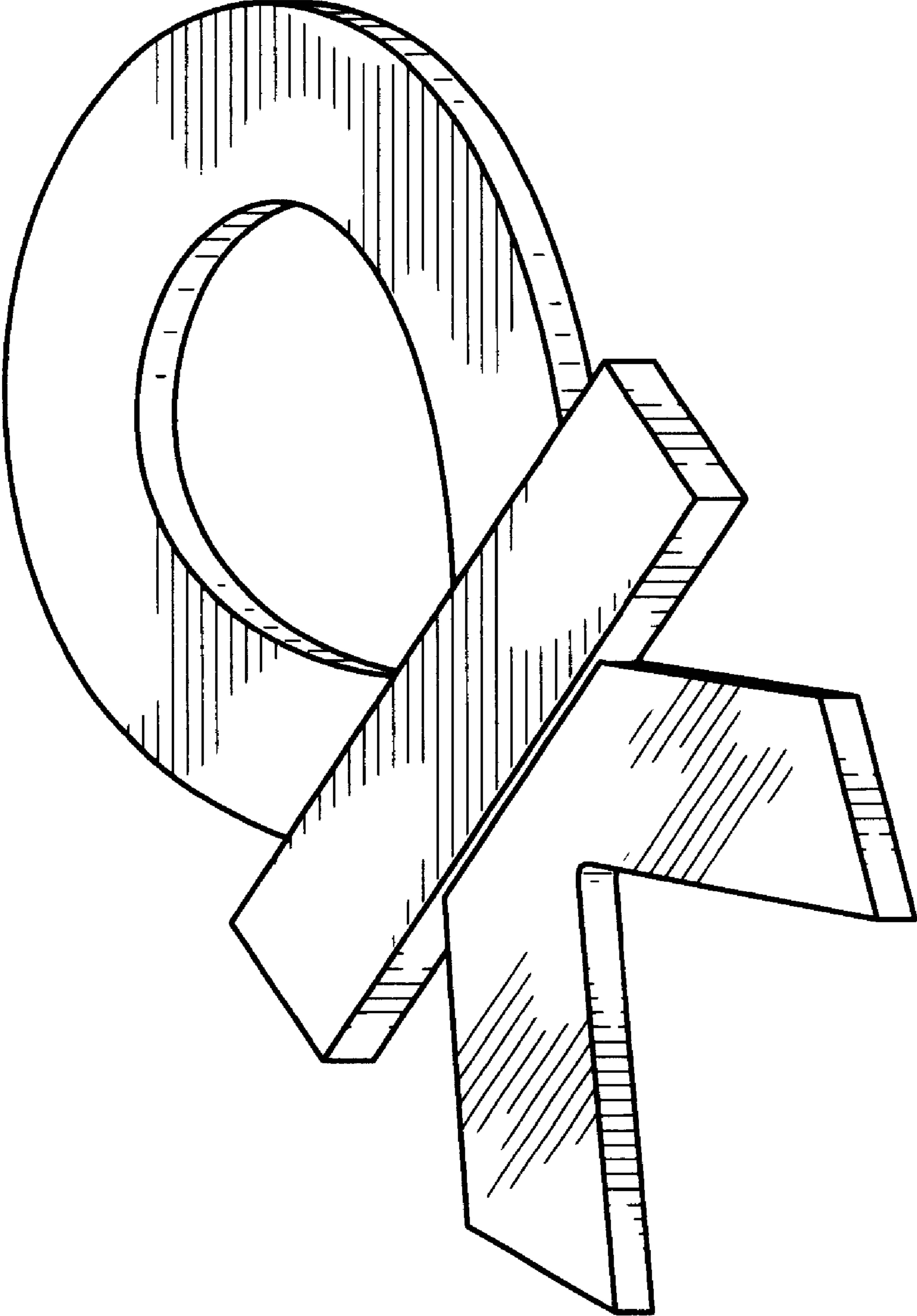


FIG. 1

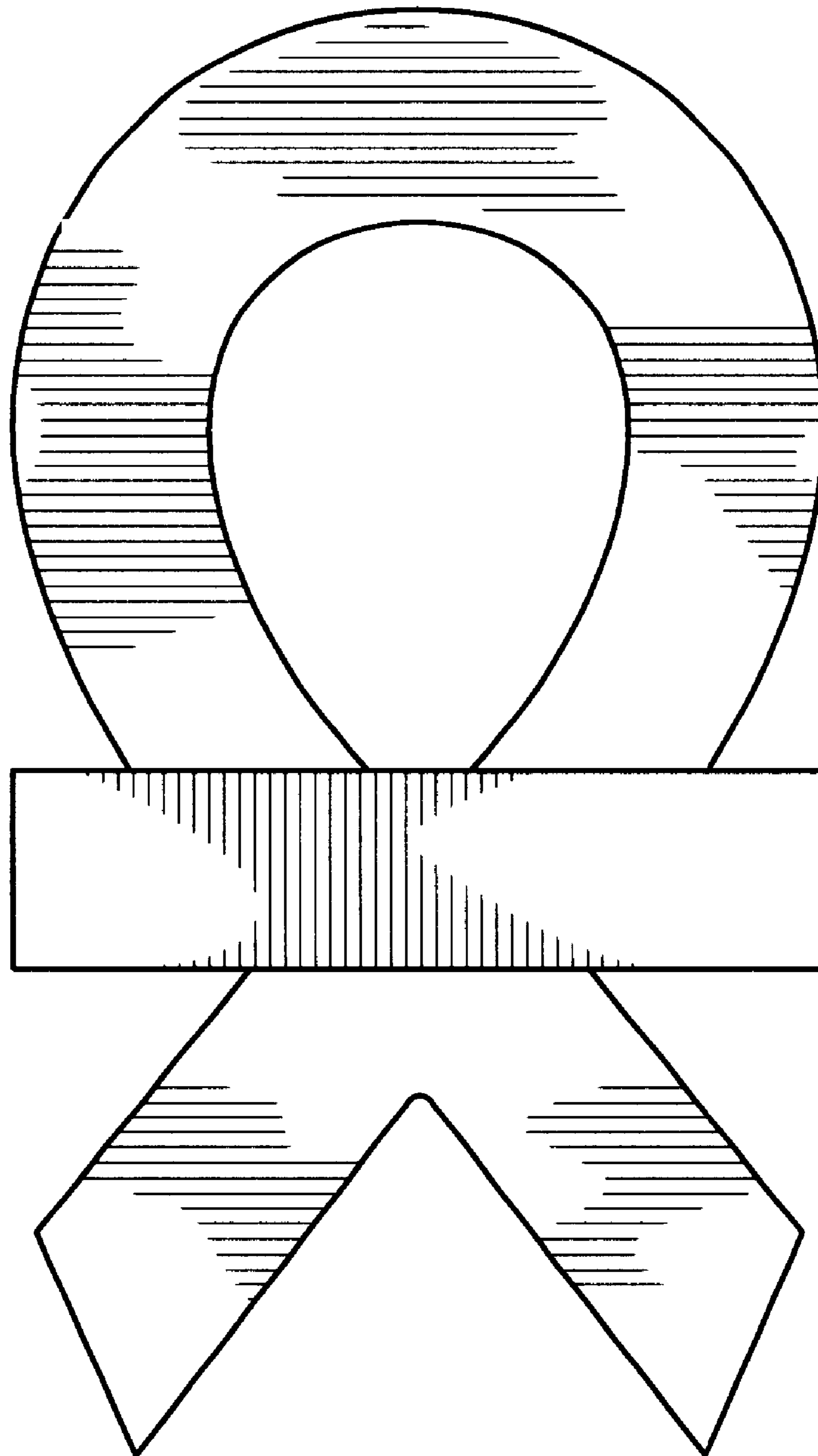


FIG. 2

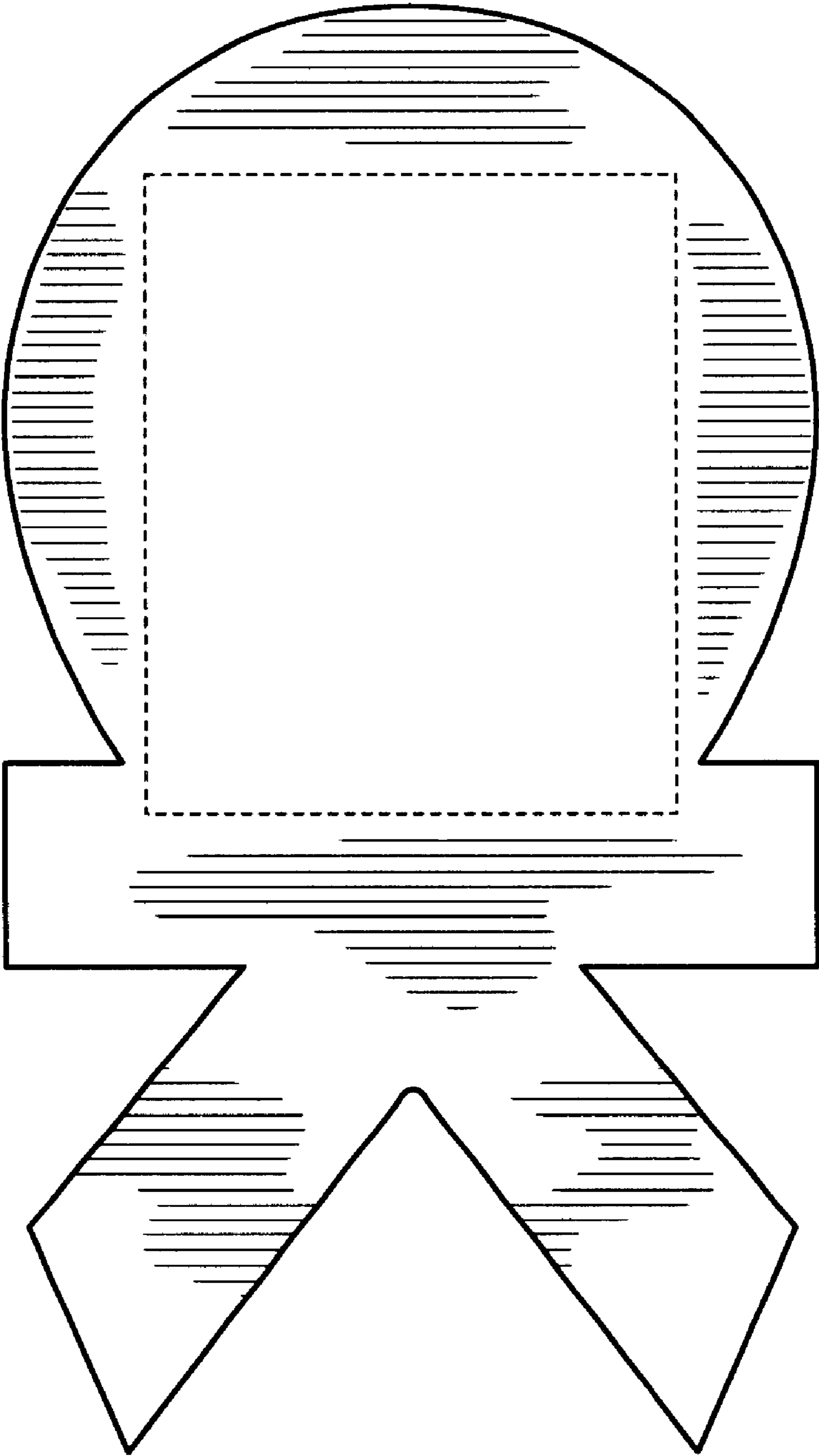


FIG. 3

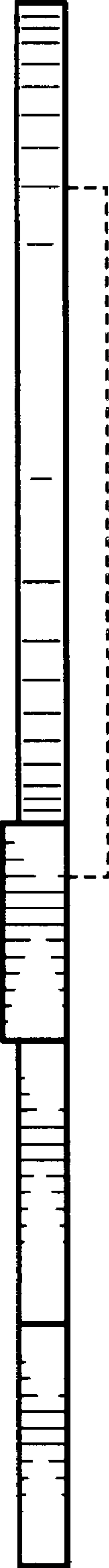


FIG. 4

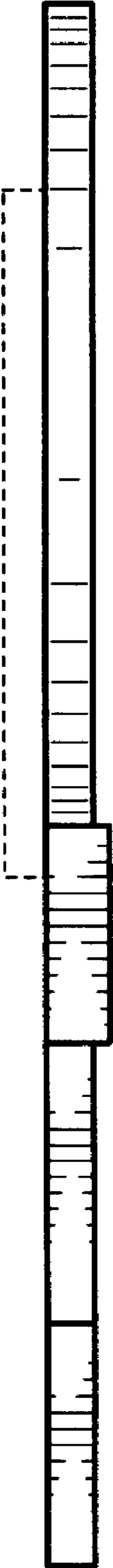


FIG. 5



FIG. 6

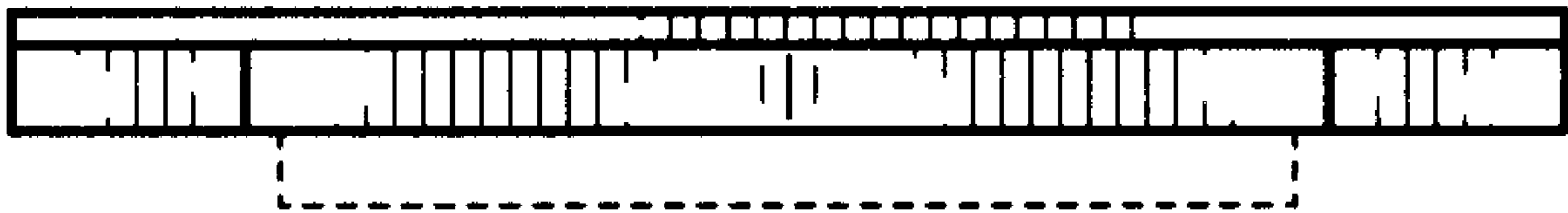


FIG. 7