

US00D520888S

(12) **United States Design Patent**  
**Sydrowski et al.**

(10) **Patent No.:** **US D520,888 S**

(45) **Date of Patent:** **\*\* May 16, 2006**

(54) **IONIC METER**

(75) Inventors: **Paul C. Sydrowski**, Danvers, MA (US);  
**Lance Hazelton**, Roxbury, MA (US);  
**Craig Henshaw**, Boston, MA (US)

(73) Assignee: **Thermo Orion Inc.**, Beverly, MA (US)

(\*\*) Term: **14 Years**

(21) Appl. No.: **29/234,597**

(22) Filed: **Jul. 20, 2005**

(51) **LOC (8) Cl.** ..... **10-04**

(52) **U.S. Cl.** ..... **D10/81; D10/78**

(58) **Field of Classification Search** ..... D10/78,  
D10/81; 73/1.02-1.03, 1.06, 431; 204/193-194,  
204/400, 403.01, 403.02, 406, 407, 408;  
205/777.5; 324/149, 156, 428, 438, 439;  
422/56, 58, 68.1, 82.04, 82.05, 99, 102, 104,  
422/504; 436/44, 514; 600/300, 309, 316,  
600/318, 322, 347, 365, 383, 578

See application file for complete search history.

(56) **References Cited**

**U.S. PATENT DOCUMENTS**

4,912,417 A \* 3/1990 Gibboney et al. .... 324/438  
4,940,946 A \* 7/1990 Nazaryan ..... 324/438  
D400,808 S \* 11/1998 Schwan ..... D10/81  
D416,821 S \* 11/1999 Narayanan ..... D10/81  
6,173,600 B1 \* 1/2001 Harada et al. .... 73/1.06  
D449,549 S \* 10/2001 Hoelbl ..... D10/81  
D462,024 S \* 8/2002 Nardo et al. .... D10/81  
6,658,276 B1 \* 12/2003 Kianl et al. .... 600/322

D488,081 S \* 4/2004 Goodman ..... D10/81  
D494,079 S \* 8/2004 Maeno et al. .... D10/81  
D499,805 S \* 12/2004 D'Agostino ..... D10/81  
6,833,111 B1 \* 12/2004 Robertson et al. .... 422/58  
D502,655 S \* 3/2005 Huang ..... D10/81  
D503,641 S \* 4/2005 Huang ..... D10/81  
D503,642 S \* 4/2005 Hutchison et al. .... D10/81  
6,887,681 B1 \* 5/2005 DiCesare et al. .... 422/68.1

\* cited by examiner

*Primary Examiner*—Antoine D. Davis

(74) *Attorney, Agent, or Firm*—Cesari and McKenna, LLP

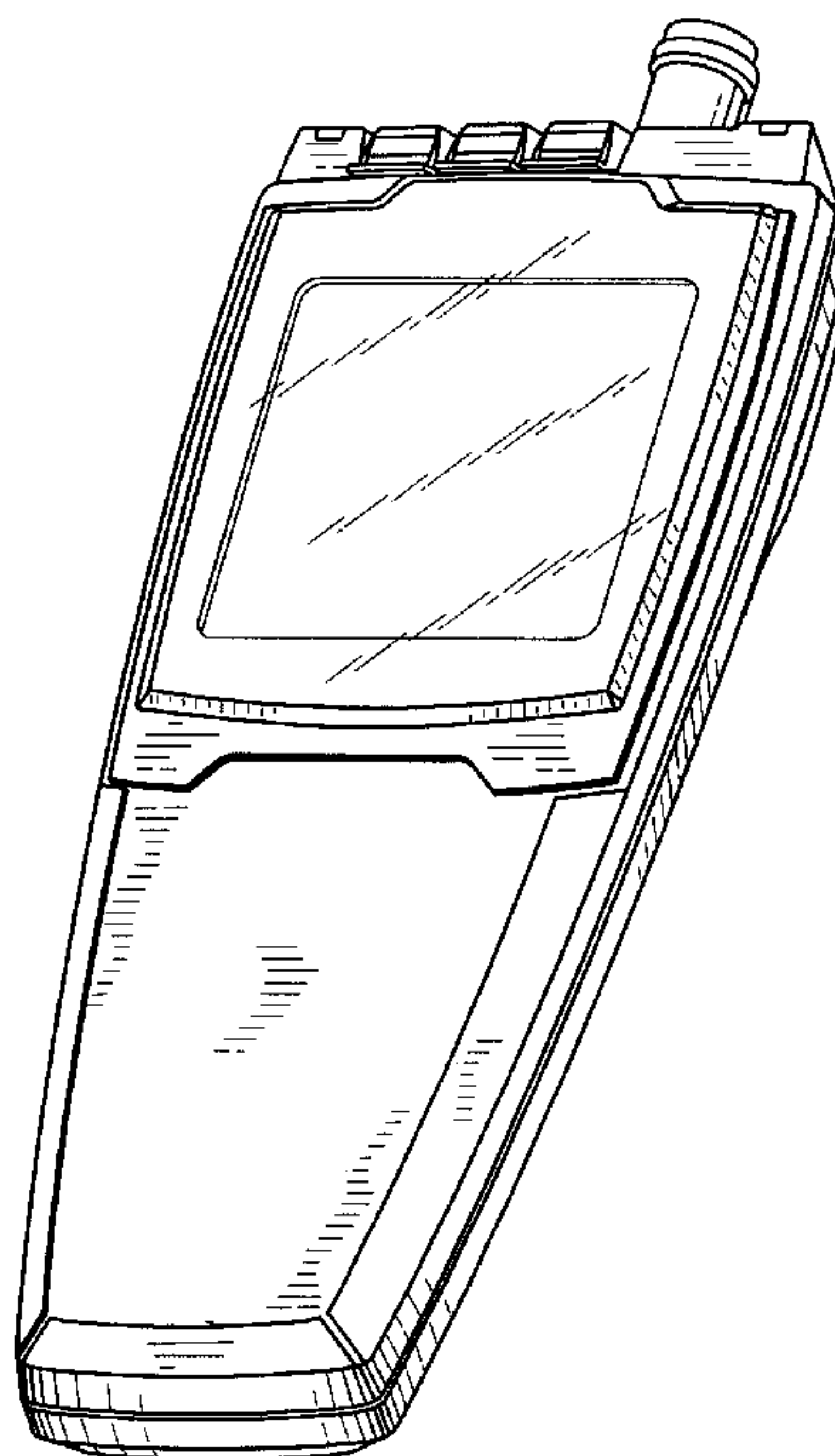
(57) **CLAIM**

The ornamental design for an ionic meter, substantially as shown.

**DESCRIPTION**

FIG. 1 is a front perspective view of an ionic meter incorporating the design;  
FIG. 2 is a back perspective view thereof;  
FIG. 3 is a front plan view thereof;  
FIG. 4 is a back plan view thereof;  
FIG. 5 is a top elevational view thereof;  
FIG. 6 is a bottom elevational view thereof;  
FIG. 7 is a side elevational view thereof as seen from the left side;  
FIG. 8 is a side elevational view thereof as seen from the right side; and,  
FIG. 9 is a front perspective view of the meter of FIGS. 1-8 which incorporates a face plate having iconic markings thereon defining a user interface.

**1 Claim, 7 Drawing Sheets**



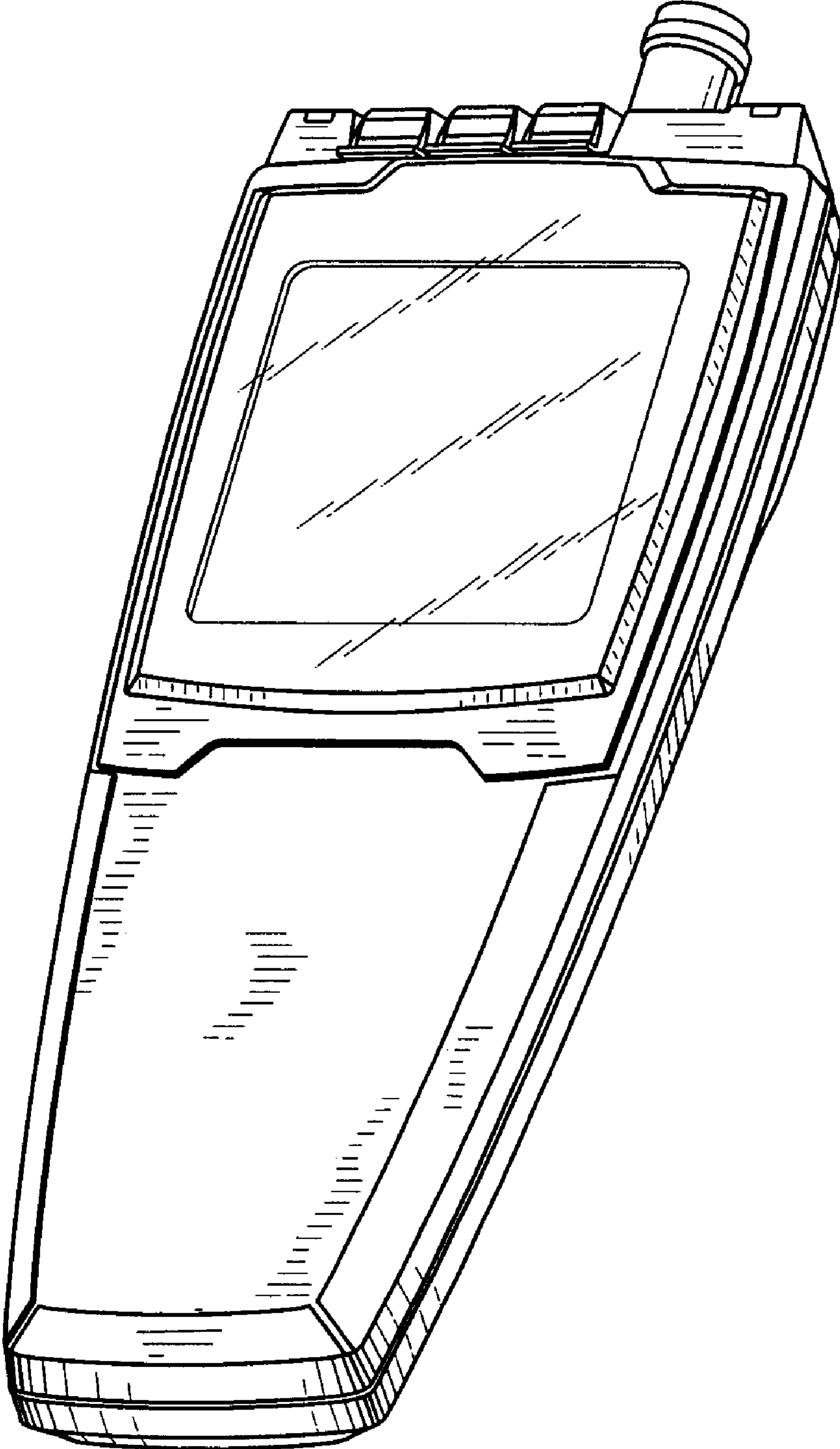


FIG. 1

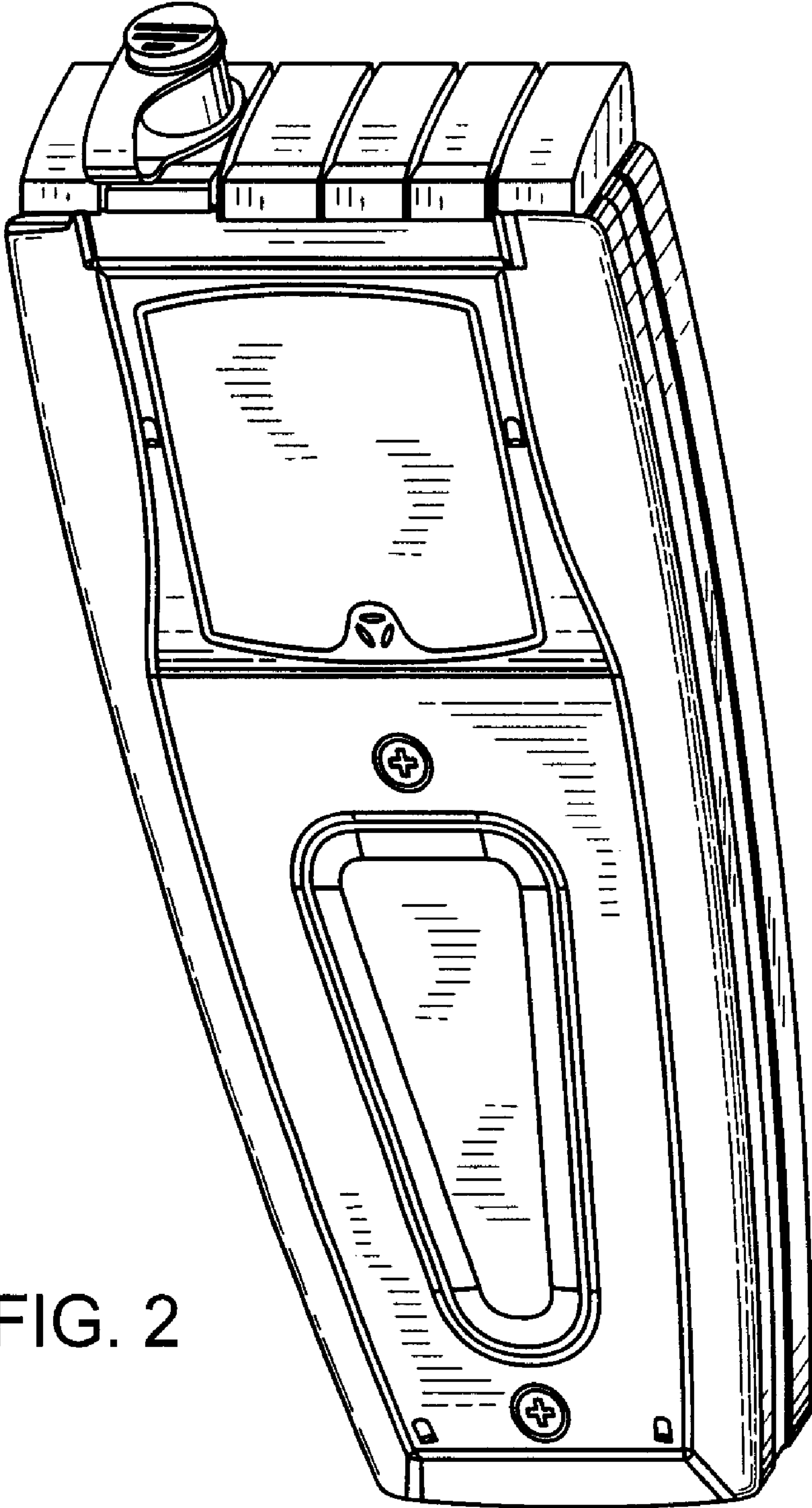


FIG. 2

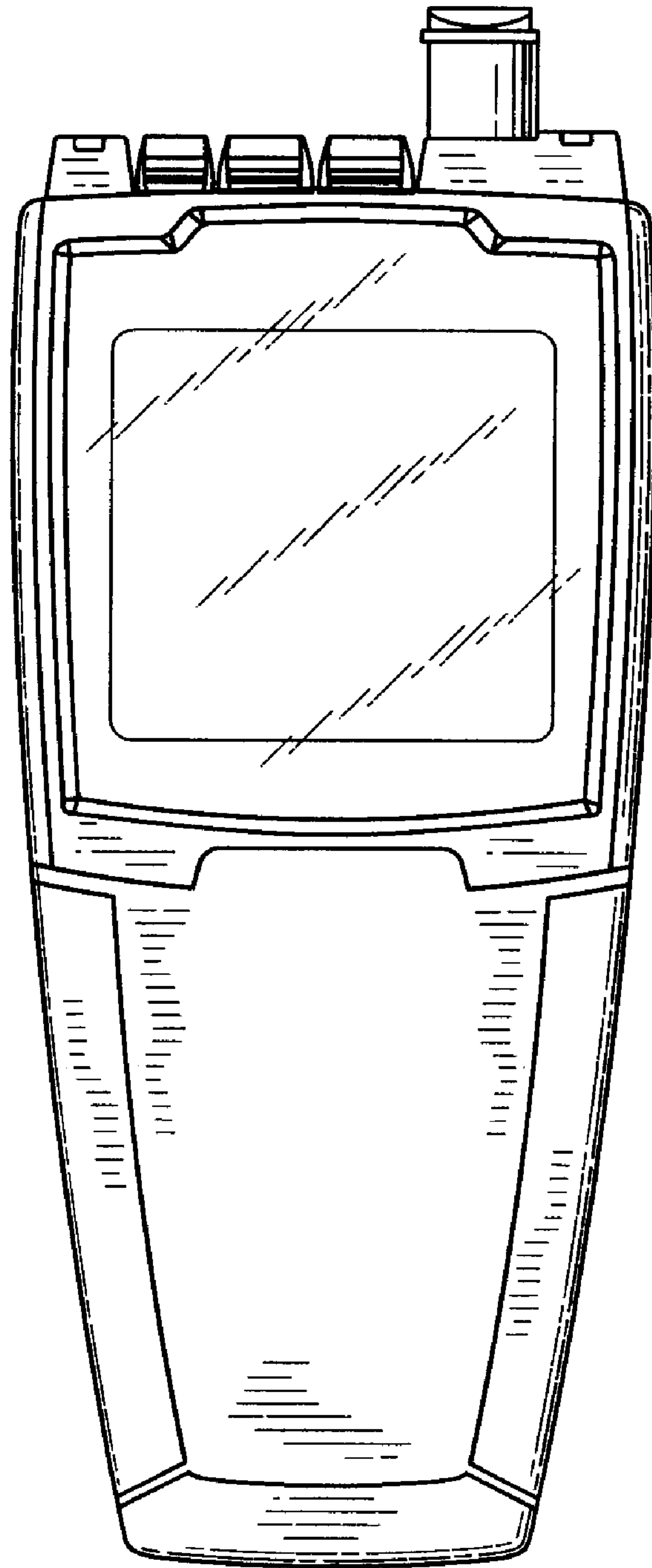


FIG. 3

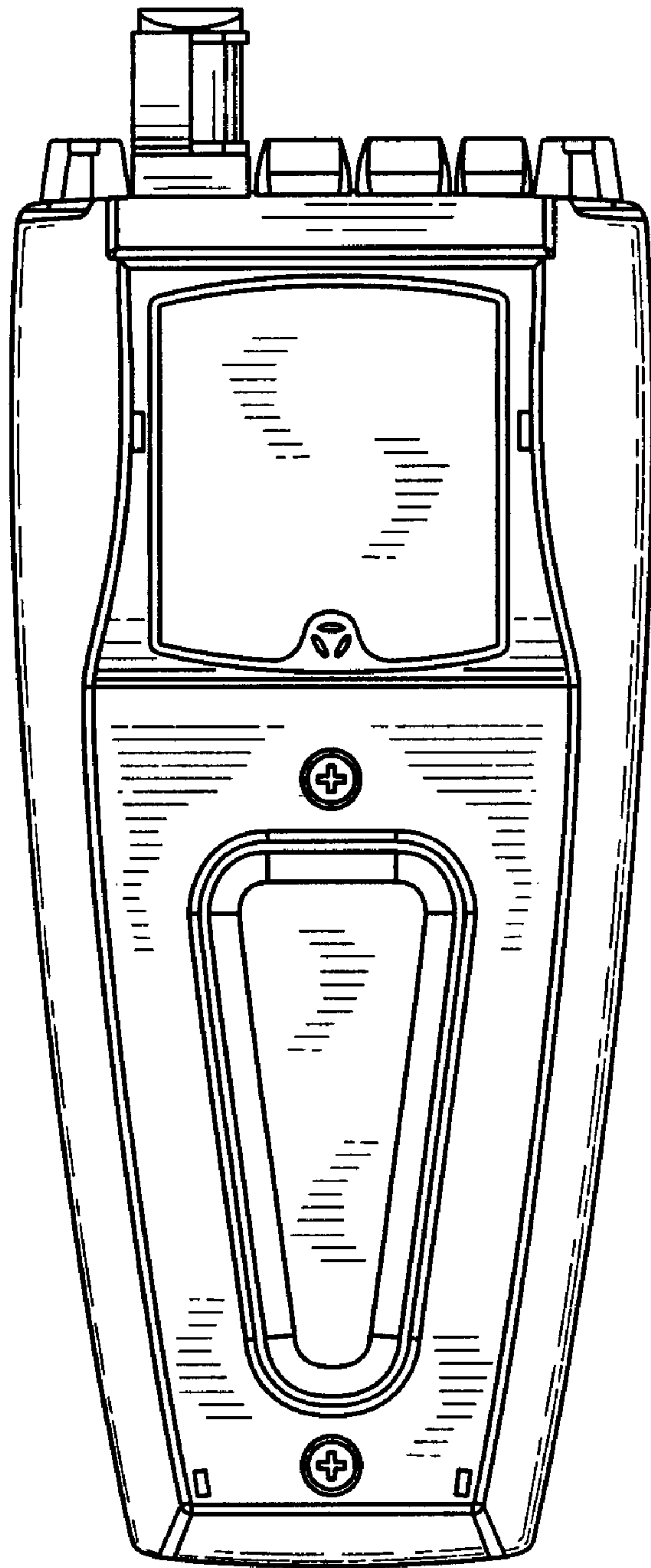


FIG. 4

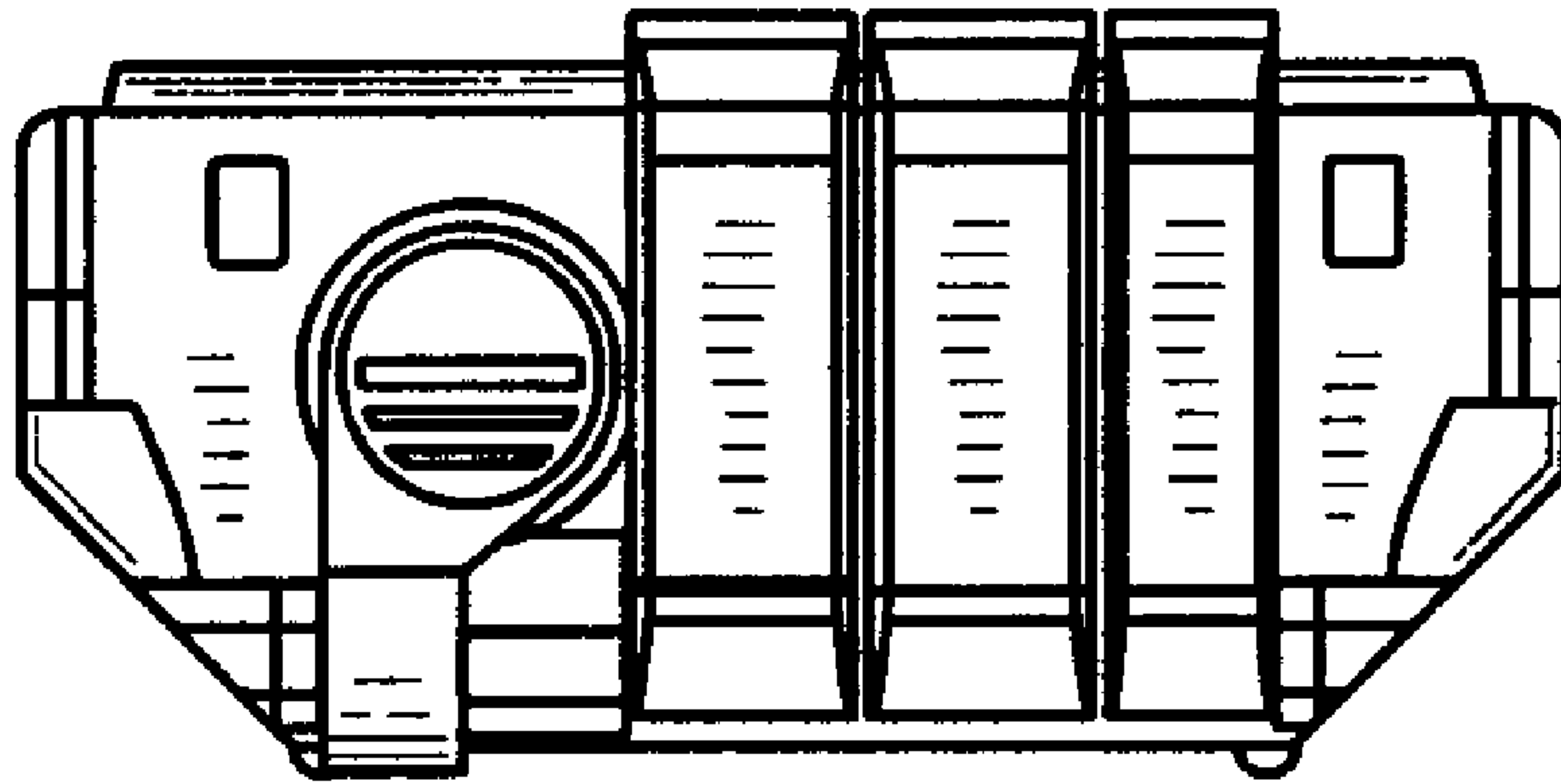


FIG. 5

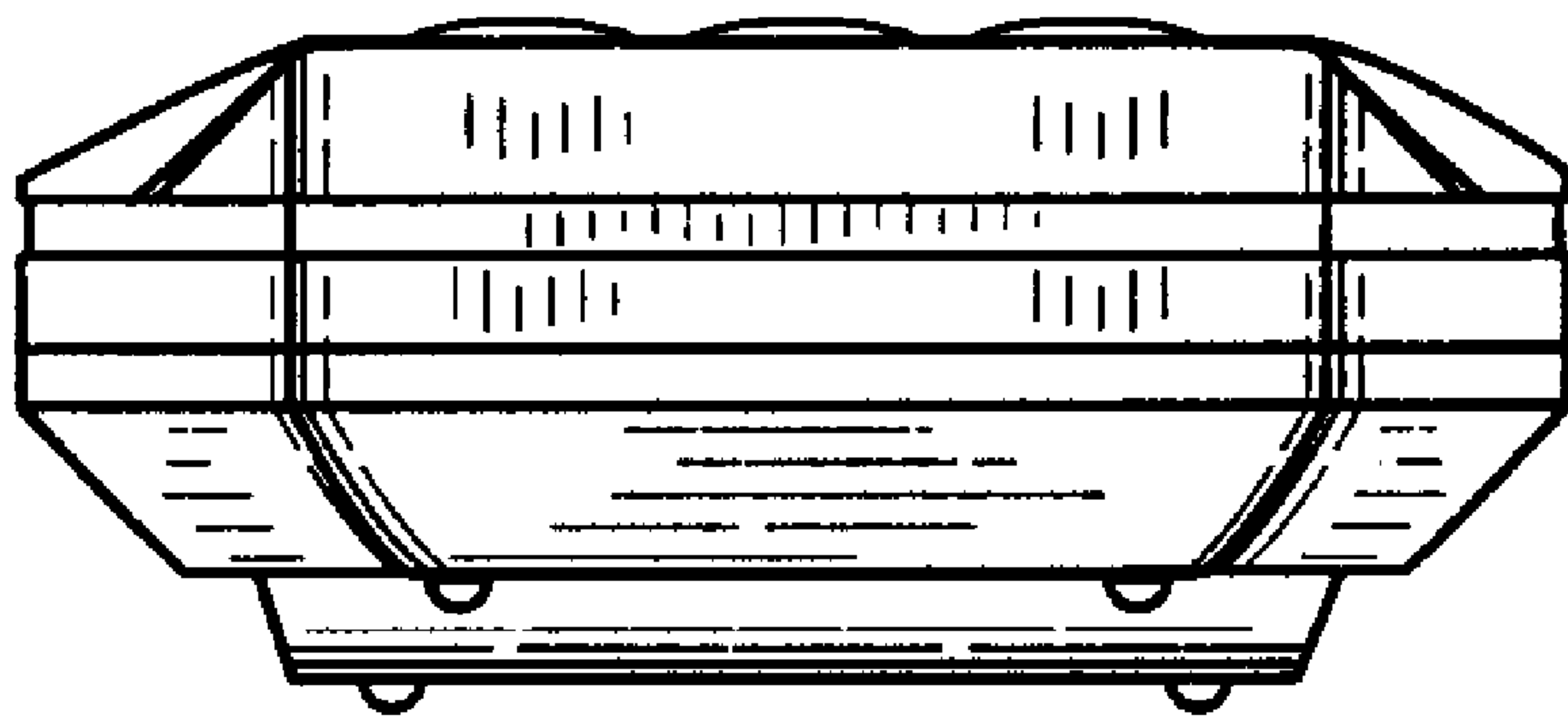


FIG. 6



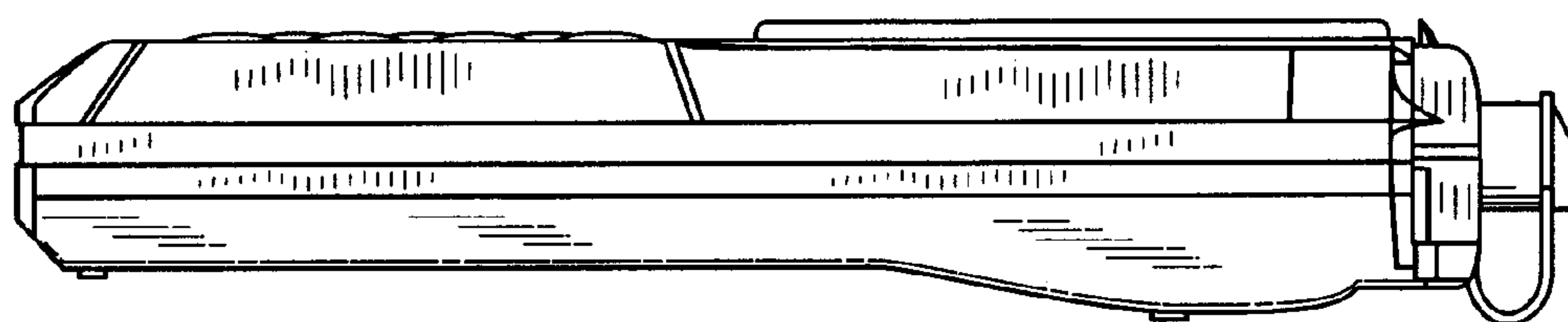


FIG. 7

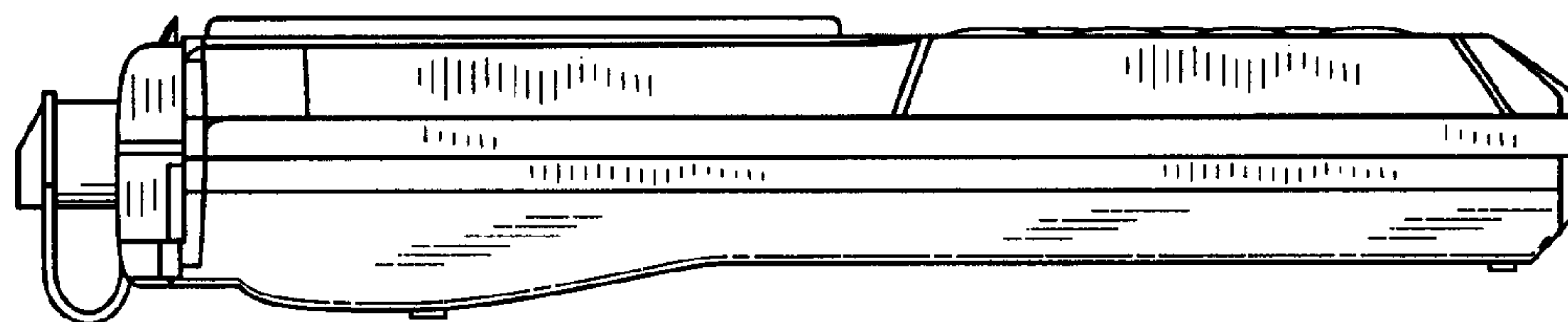


FIG. 8

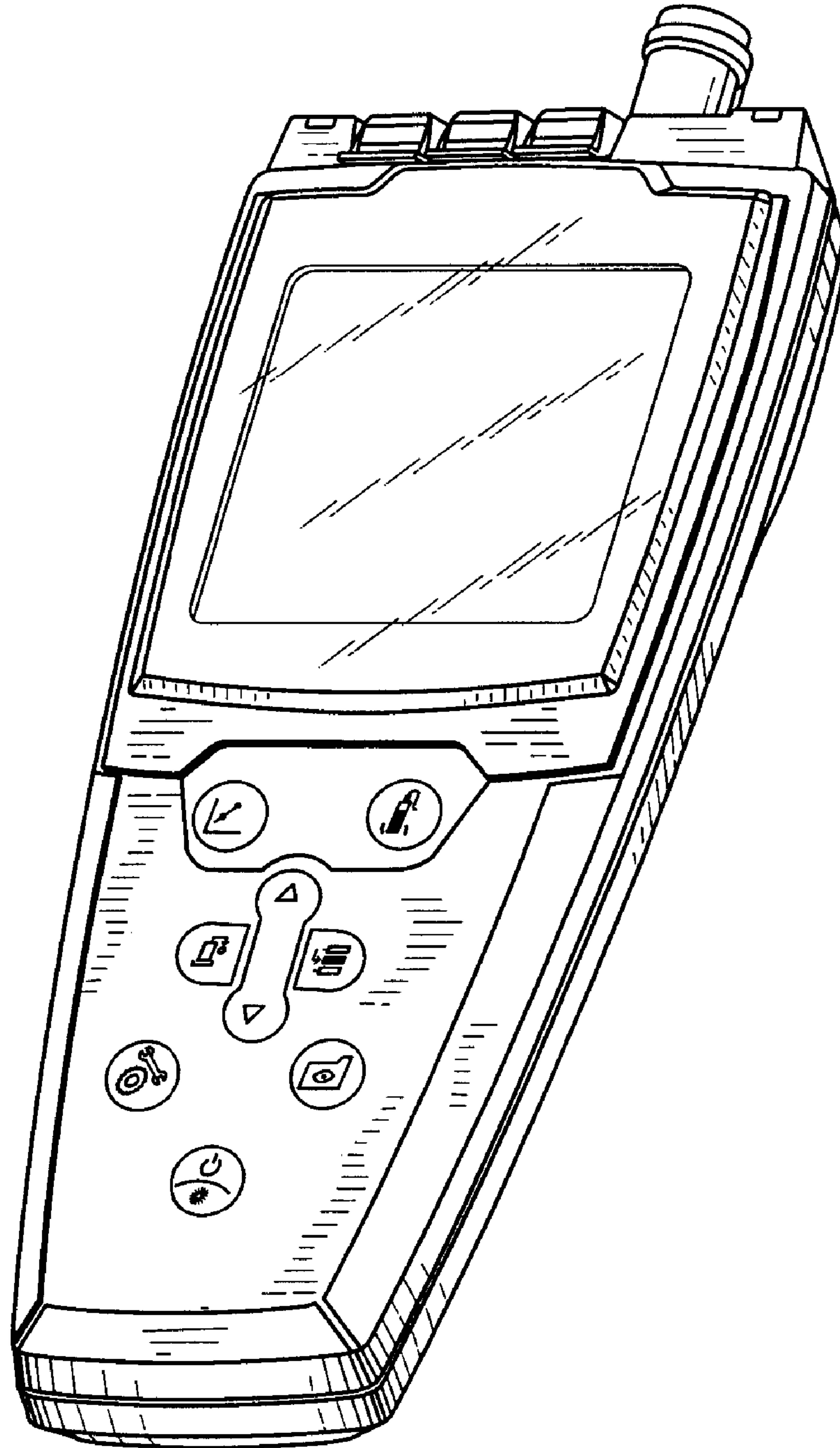


FIG. 9