



US00D520885S

(12) **United States Design Patent** (10) **Patent No.:** **US D520,885 S**  
**Takach et al.** (45) **Date of Patent:** **\*\* May 16, 2006**

(54) **THERMOSTAT HOUSING**

(75) Inventors: **Eugene J. Takach**, Eden Prairie, MN (US); **John Wadsworth**, Los Angeles, CA (US); **John von Buelow**, Oak Park, CA (US)

(73) Assignee: **Honeywell International Inc.**, Morristown, NJ (US)

(\*\*) Term: **14 Years**

(21) Appl. No.: **29/224,120**

(22) Filed: **Feb. 25, 2005**

**Related U.S. Application Data**

(63) Continuation of application No. 29/205,143, filed on May 10, 2004, now Pat. No. Des. 509,151.

(51) **LOC (8) Cl.** ..... **10-04**

(52) **U.S. Cl.** ..... **D10/50**

(58) **Field of Classification Search** ..... D10/49, D10/50; 236/46 R, 47, 49.3, 51, 84, 94; 400/485  
See application file for complete search history.

(56) **References Cited**

**U.S. PATENT DOCUMENTS**

4,079,366 A	3/1978	Wong
4,174,807 A	11/1979	Smith et al.
4,206,872 A	6/1980	Levine
4,264,034 A	4/1981	Hyltin et al.
4,298,946 A	11/1981	Hartsell et al.

(Continued)

**FOREIGN PATENT DOCUMENTS**

WO WO 01/93779 12/2001

**OTHER PUBLICATIONS**

Carrier, "Programmable Dual Fuel Thermostat," Installation, Start-Up & Operating Instructions, pp. 1-12, Oct. 1998.

Carrier, "Programmable Thermostats," Installation, Start-Up & Operating Instructions, pp. 1-16, Sep. 1998.

Carrier, "Standard Programmable Thermostat," Homeowner's Manual, pp. 1-8 pages, 1998.

Carrier, "Thermostat Control," Installation, Start-Up, and Operating Instructions, pp. 1-12, Aug. 1999.

CorAccess, "Companion 6," User Guide, pp. 1-20, Jun. 17, 2002.

http://www.thermostatsales.com, Robertshaw, "9610 Digital Programmable Thermostat," 3 pages, printed Jun. 17, 2004.

http://www.thermostatsales.com, Robertshaw, "9700 Deluxe Programmable Thermostat" 3 pages, printed Jun. 17, 2004.

(Continued)

*Primary Examiner*—Antoine D. Davis

(74) *Attorney, Agent, or Firm*—Gregory M. Ansems

(57) **CLAIM**

The ornamental design for a thermostat housing, as shown and described.

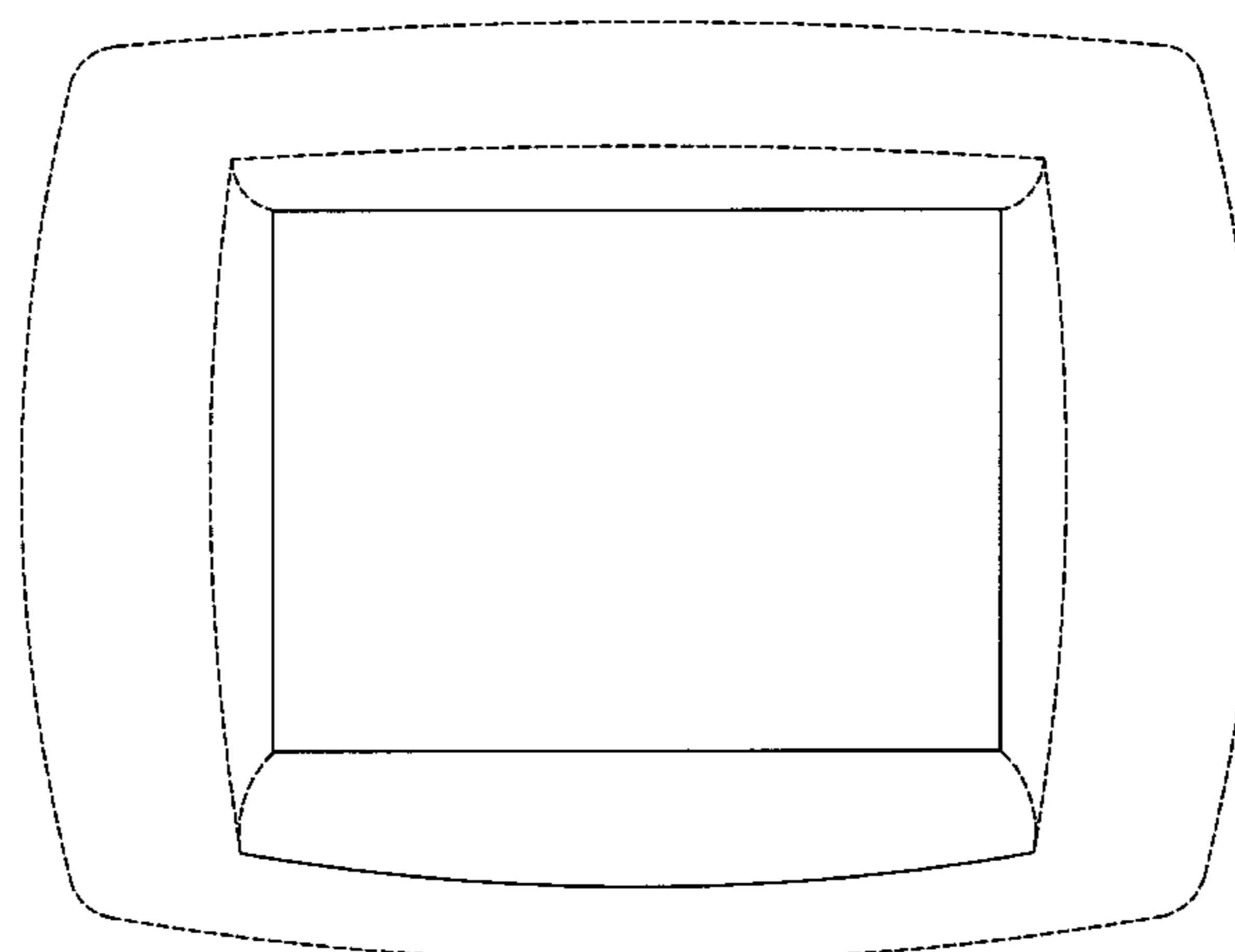
**DESCRIPTION**

The present application is related to co-pending U.S. patent application Ser. No. 10/726,201, filed on Dec. 2, 2003, entitled "Controller Interface With Multiple Day Programming", U.S. patent application Ser. No. 10/726,247, filed on Dec. 2, 2003, entitled "Controller Interface With Menu Schedule Override", U.S. patent application Ser. No. 10/726,174, filed on Dec. 2, 2003, entitled "Programmable Controller With Saving Changes Indication", U.S. patent application Ser. No. 10/725,826, filed Dec. 2, 2003, entitled "Controller Interface With Separate Schedule Review Mode", U.S. patent application Ser. No. 10/726,243, filed Dec. 2, 2003, entitled "Controller With Programmable Service Event Display", and U.S. patent application Ser. No. 10/726,245, filed Dec. 2, 2003, entitled Controller Interface With Interview Programming.

The FIGURE is a front elevation view of a thermostat housing.

The broken line showing is for illustrative purposes only and forms no part of the claimed design.

**1 Claim, 1 Drawing Sheet**



U.S. PATENT DOCUMENTS

4,308,991	A	1/1982	Peinetti et al.	
4,337,822	A	7/1982	Hyltin et al.	
4,382,544	A	5/1983	Stewart	
4,386,649	A	6/1983	Hines et al.	
4,388,692	A	6/1983	Jones et al.	
4,431,134	A	2/1984	Hendricks et al.	
4,442,972	A	4/1984	Sahay et al.	
4,446,913	A	5/1984	Krocker	
4,479,604	A	10/1984	Didner	
4,606,401	A	8/1986	Levine et al.	
4,621,336	A	11/1986	Brown	
4,717,333	A	1/1988	Carignan	
4,725,001	A	2/1988	Carney et al.	
4,837,731	A	6/1989	Levine et al.	
4,881,686	A	11/1989	Mehta	
4,918,439	A	4/1990	Wozniak et al.	
4,948,040	A	8/1990	Kobayashi et al.	
4,992,779	A	2/1991	Sugino et al.	
4,997,029	A	3/1991	Otsuka et al.	
5,012,973	A	5/1991	Dick et al.	
5,038,851	A	8/1991	Metha	
5,065,813	A	11/1991	Berkeley et al.	
5,088,645	A	2/1992	Bell	
5,161,606	A	11/1992	Berkeley et al.	
5,181,653	A	1/1993	Foster et al.	
5,230,482	A	7/1993	Ratz et al.	
5,259,445	A	11/1993	Pratt et al.	
5,329,991	A	7/1994	Metha et al.	
5,348,078	A	9/1994	Dushane et al.	
D361,287	S *	8/1995	Guy et al. ....	D10/50
5,482,209	A	1/1996	Cochran et al.	
D367,430	S *	2/1996	Greenberg et al. ....	D10/49
5,526,422	A	6/1996	Keen	
5,537,106	A	7/1996	Mitcuhashi	
5,566,879	A	10/1996	Longtin	
5,570,837	A	11/1996	Brown et al.	
5,673,850	A	10/1997	Uptegraph	
5,782,296	A	7/1998	Metha	
5,873,519	A	2/1999	Beilfuss	
5,902,183	A	5/1999	D'Souza	
5,937,942	A	8/1999	Bias et al.	
6,032,867	A	3/2000	Dushane et al.	
6,196,467	B1	3/2001	Dushane et al.	
6,208,331	B1	3/2001	Singh et al.	
6,315,211	B1	11/2001	Sartain et al.	
6,318,639	B1	11/2001	Toth	
6,351,693	B1	2/2002	Monie et al.	
6,502,758	B1	1/2003	Cottrell	
6,513,723	B1 *	2/2003	Mueller et al. ....	236/46 R
6,518,957	B1	2/2003	Lehtinen et al.	
6,581,846	B1	6/2003	Rosen	
6,595,430	B1	7/2003	Shah	
2002/0005435	A1	1/2002	Cottrell	
2003/0034897	A1	2/2003	Shamoon et al.	
2003/0034898	A1	2/2003	Shamoon et al.	
2003/0121652	A1	7/2003	Carey et al.	
2003/0142121	A1	7/2003	Rosen	

OTHER PUBLICATIONS

<http://www.thermostatsales.com>, Robertshaw, "9710 Deluxe Programmable Thermostat," 3 pages, printed Jun. 17, 2004.

<http://www.thermostatsales.com>, Robertshaw, "9720 Deluxe Programmable Thermostat," 3 pages, printed Jun. 17, 2004.

Hunter, "44200/44250," Owner's Manual, 32 pages, printed prior to filing date.

Hunter, "44300/44350," Owner's Manual, 35 pages, printed prior to filing date.

Hunter, "Auto Saver 550", Owner's Manual Model 44550, 44 pages, printed prior to filing date.

Invensys™, "9700i 9701i 9715i 9720i Deluxe Programmable Thermostats," User's Manual, pp. 1–28, printed prior to filing date.

Lux, "511 Series Smart Temp Electronic Thermostat," Owner's Manual, 3 pages, printed prior to filing date.

Lux, "600 Series Smart Temp Electronic Thermostat," Owner's Manual, 3 pages, printed prior to filing date.

Lux, "602 Series Multi-Stage Programmable Thermostat," Owner's Manual, 2 pages, printed prior to filing date.

Lux, "605/2110 Series Programmable Heat Pump Thermostat," Owner's Manual, 3 pages, printed prior to filing date.

Lux, "700/9000 Series Smart Temp Electronic Thermostat," Owner's Manual, 3 pages, printed prior to filing date.

Lux, "PSPH521 Series Programmable Heat Pump Thermostat," Owner's Manual, 3 pages, printed prior to filing date.

Lux, "TX1500 Series Smart Temp Electronic Thermostat," Owner's Manual, 6 pages, printed prior to filing date.

Lux, "TX500 Series Smart Temp Electronic Thermostat," Owner's Manual, 3 pages, printed prior to filing date.

Lux, "ELV1 Programmable Line Voltage Thermostat," Owner's Manual, 3 pages, printed prior to filing date.

Metasys, "HVAC Pro for Windows User's Manual," 308 pages, 1998.

[http://www.ritetemp.info/rtMenu\\_13.html](http://www.ritetemp.info/rtMenu_13.html), Rite Temp 8082, 8 pages, printed Jun. 20, 2003.

Totaline, "1 For All programmable Digital Thermostat," Owner's Manual P/N P374–1100FM, 23 pages, Nov. 1998.

Totaline, "1 For All Programmable Digital Thermostat," Owner's Manual P/N P474–1050, 21 pages, Nov. 1998.

Totaline, "1 For All Programmable Digital Thermostat," Owner's Manual P/N P374–1100, 24 pages, April 2001.

Totaline, "Intellistat Combination Temperature and Humidity Control," Owner's Manual P/N P374–1600, 25 pages, Jun. 2001.

Totaline, "Programmable Thermostat Configurable for Advanced Heat Pump or Dual Fuel Operation," Owner's Manual P/N P374–1500, 24 pages, Jun. 1999.

Totaline, "Instructions P/N P474–1010", Manual, 2 pages, Dec. 1998.

Totaline, "Programmable Thermostat", Homeowner's Guide, 27 pages, Dec. 1998.

Totaline, "Wireless Programmable Digital Thermostat," Owner's Manual 474–1100RF, 21 pages, 2000.

Warmly Yours, "Model TH111 GFCI-P (120 VAC), " Manual, pp. 1–4, printed prior to filing date.

White-Rodgers, "Installation Instructions for Heating & Air Conditioning IF72 5/2 Day Programmable Heat Pump Thermostat," 8 pages, printed prior to filing date.

White-Rodgers, "Installation Instructions for Heating & Air Conditioning IF78 5/2 Day Programmable Thermostat," 7 pages, printed prior to filing date.

White-Rodgers, "Comfort-Set 90 Series Thermostat," Manual, pp. 1–24, printed prior to filing date.

White-Rodgers, "Comfort-Set III Thermostat," Manual, pp. 1–44, printed prior to filing date.

White-Rodgers, 1F80-240 "(for Heating Only systems) Programmable Electronic Digital Thermostat," Installation and Operation Instructions, 8 pages, printed prior to filing date.

White-Rodgers, 1F80-241 "Programmable Electronic Digital Thermostat," Installation and Operation Instructions, 6 pages, printed prior to filing date.

White-Rodgers, 1F80-261 "Programmable Electronic Digital Thermostat," Installation and Operation Instructions, 8 pages, printed prior to filing date.

White-Rodgers, 1F81-261 "Programmable Electronic Digital Multi-Stage Thermostat," Installation and Operation Instructions, 8 pages, printed prior to filing date.

White-Rodgers, 1F82-261 "Programmable Electronic Digital Heat Pump Thermostat," Installation and Operation Instructions, 8 pages, printed prior to filing date.

www.icmcontrols.com, Simplecomfort, SC3000 Single Stage Heat/Single Stage Cool or Single Stage Heat Pump/Manual Changeover, 1 page, printed prior to filing date.

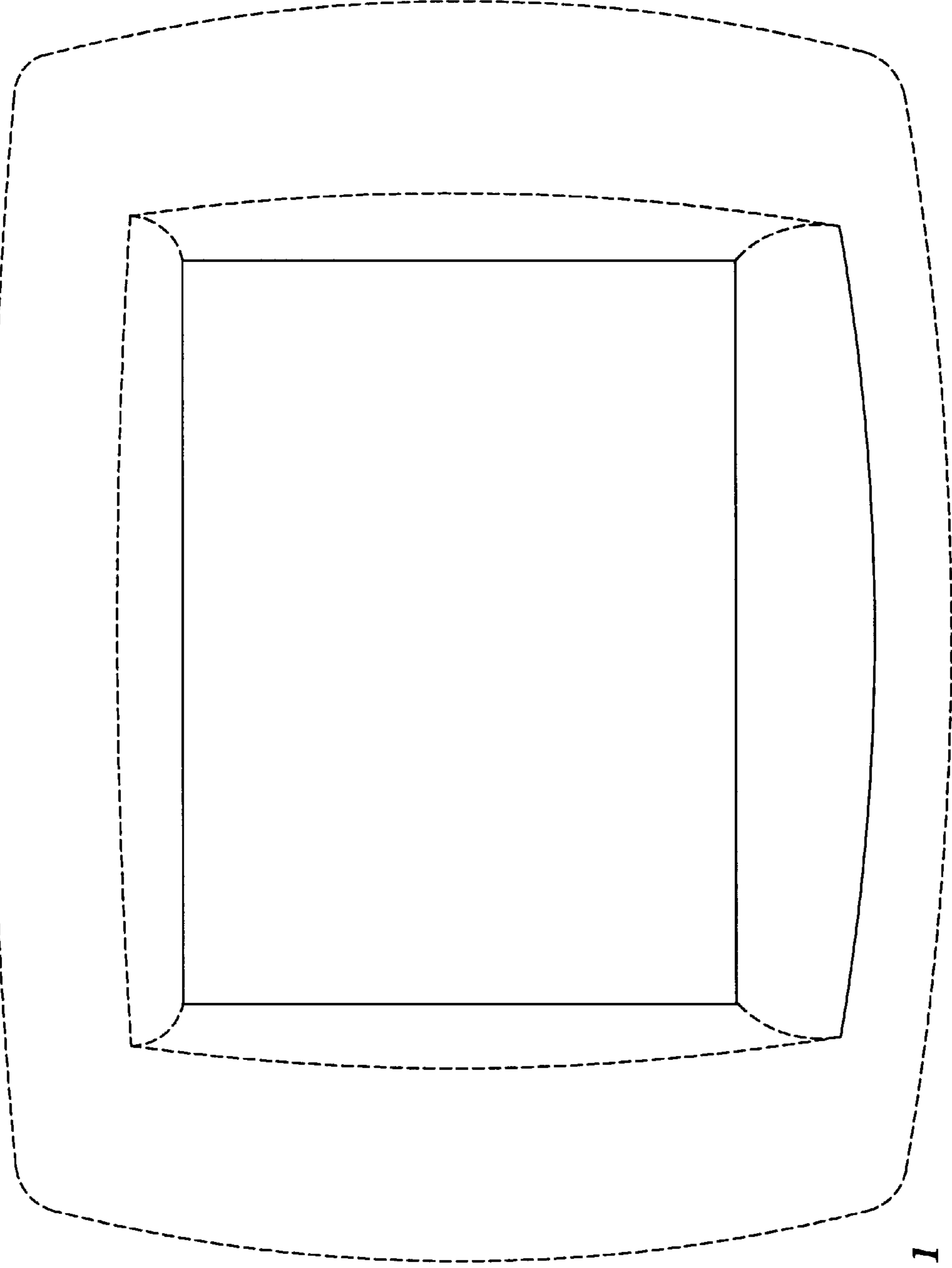
www.icmcontrols.com, Simplecomfort, SC3001 Single Stage Heat/Single Stage Cool or Single Stage Heat Pump/Manual Changeover, 1 page, printed prior to filing date.

www.icmcontrols.com, Simplecomfort, SC3006 Single Stage Heat/Single Stage Cool or Single Stage Heat Pump/Manual Changeover, 1 page, printed prior to filing date.

www.icmcontrols.com, Simplecomfort, SC3201 2 Stage Heat Pump Manual Changeover, 1 page, printed prior to filing date.

www.icmcontrols.com, Simplecomfort, SC3801 2 Stage Heat/2 Stage Cool 2 Stage Heat Pump/Audio Changeover, 1 page, printed prior to filing date.

\* cited by examiner



*Figure 1*