



US00D520881S

(12) **United States Design Patent**
Guenther

(10) **Patent No.:** **US D520,881 S**

(45) **Date of Patent:** **** May 16, 2006**

(54) **BEVERAGE HOLDER**

(75) Inventor: **Randall D. Guenther**, Wheatridge, CO
(US)

(73) Assignee: **Coors Global Properties, Inc.**,
Lakewood, CO (US)

(**) Term: **14 Years**

(21) Appl. No.: **29/216,039**

(22) Filed: **Oct. 27, 2004**

(51) **LOC (8) Cl.** **09-03**

(52) **U.S. Cl.** **D9/753; D9/414; D7/701**

(58) **Field of Classification Search** **D7/701-708;**
D9/414, 433, 455, 737, 738, 751, 753; 229/117.09,
229/117.12-117.16, 117.23; 206/139, 145,
206/158, 193-201; 294/87.28
See application file for complete search history.

(56) **References Cited**

U.S. PATENT DOCUMENTS

| | | | | | |
|-------------|---|--------|----------|-------|-----------|
| D110,691 S | * | 8/1938 | Dudley | | D9/753 |
| 2,289,859 A | | 7/1942 | Arthur | | |
| 2,581,100 A | * | 1/1952 | Hennessy | | 206/194 |
| 2,710,219 A | * | 6/1955 | Zalkind | | 294/87.28 |
| 2,821,299 A | | 1/1958 | Crary | | |
| D208,012 S | * | 6/1967 | Gale | | D9/753 |
| 3,744,704 A | * | 7/1973 | Struble | | 206/194 |

| | | | | | |
|--------------|---|---------|----------------|-------|--------|
| D243,913 S | | 4/1977 | Miles | | |
| D292,879 S | * | 11/1987 | Smith | | D9/753 |
| 4,889,245 A | | 12/1989 | Rinke | | |
| 5,154,288 A | | 10/1992 | Gloyer | | |
| D351,971 S | | 11/1994 | Cappola | | |
| 5,450,979 A | | 9/1995 | Servick et al. | | |
| 6,615,996 B1 | | 9/2003 | Ivey | | |
| D502,406 S | * | 3/2005 | Eddings | | D9/752 |

* cited by examiner

Primary Examiner—Terry A. Wallace

(74) *Attorney, Agent, or Firm*—Sheridan Ross P.C.

(57) **CLAIM**

The ornamental design for a beverage holder, as shown and described.

DESCRIPTION

FIG. 1 is a front perspective view of the beverage holder showing my new design, the broken lines are for illustrative purposes only and form no part of the claimed design;

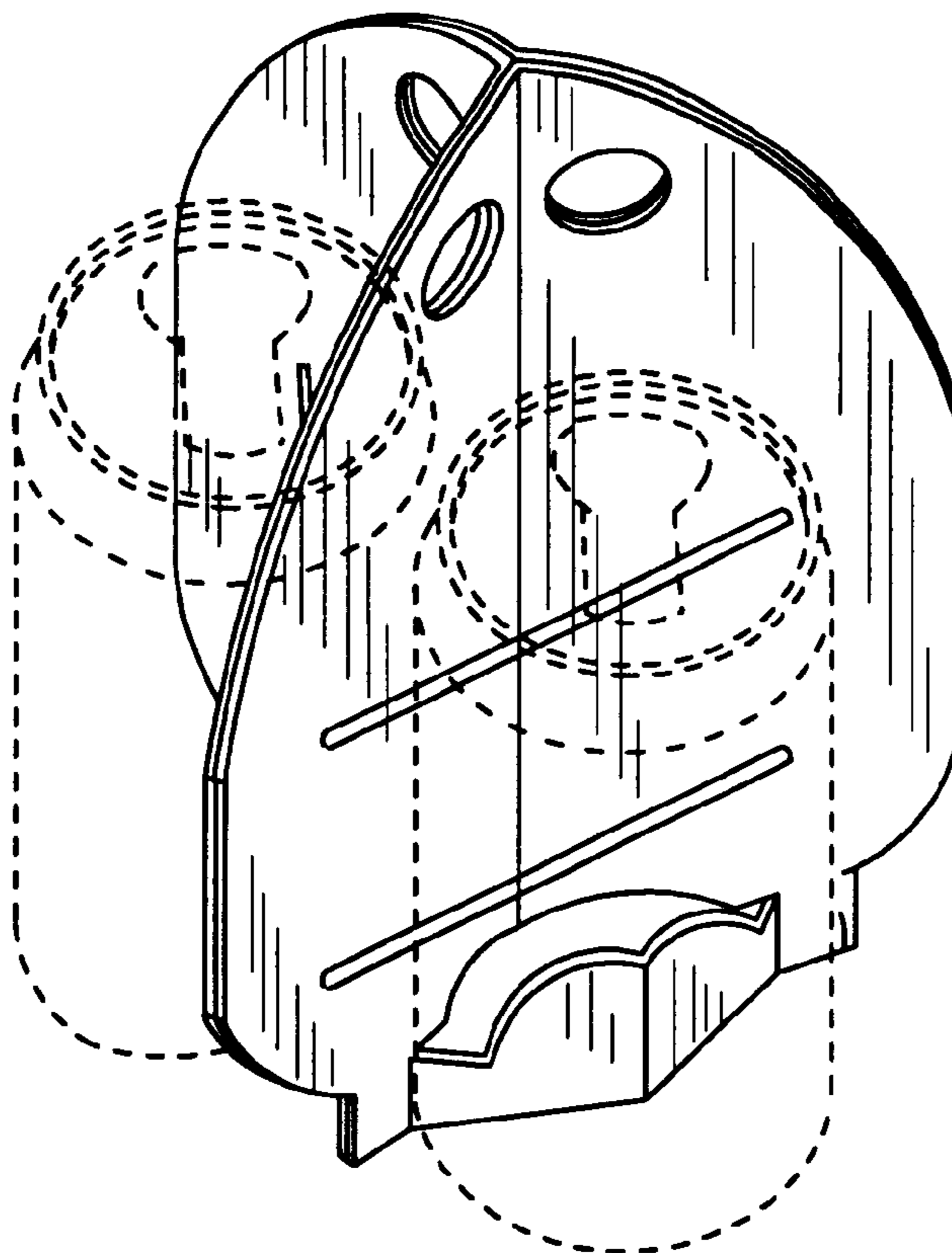
FIG. 2 is a top plan view of the invention illustrated in FIG. 1;

FIG. 3 is a left elevation view of the invention illustrated in FIG. 1;

FIG. 4 is a right elevation view of the invention illustrated in FIG. 1; and,

FIG. 5 is a bottom plan view of the invention illustrated in FIG. 1.

1 Claim, 1 Drawing Sheet



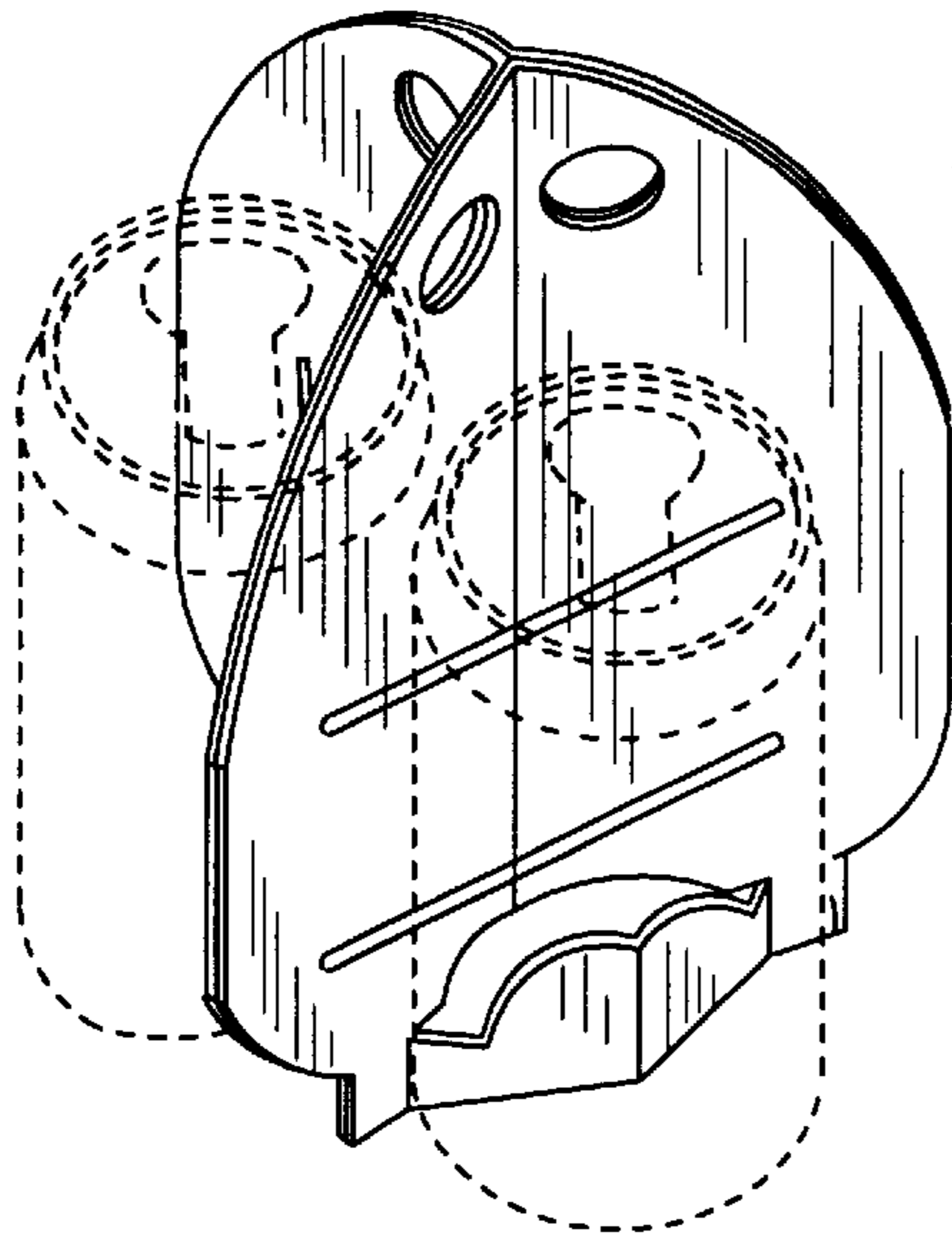


Fig. 1

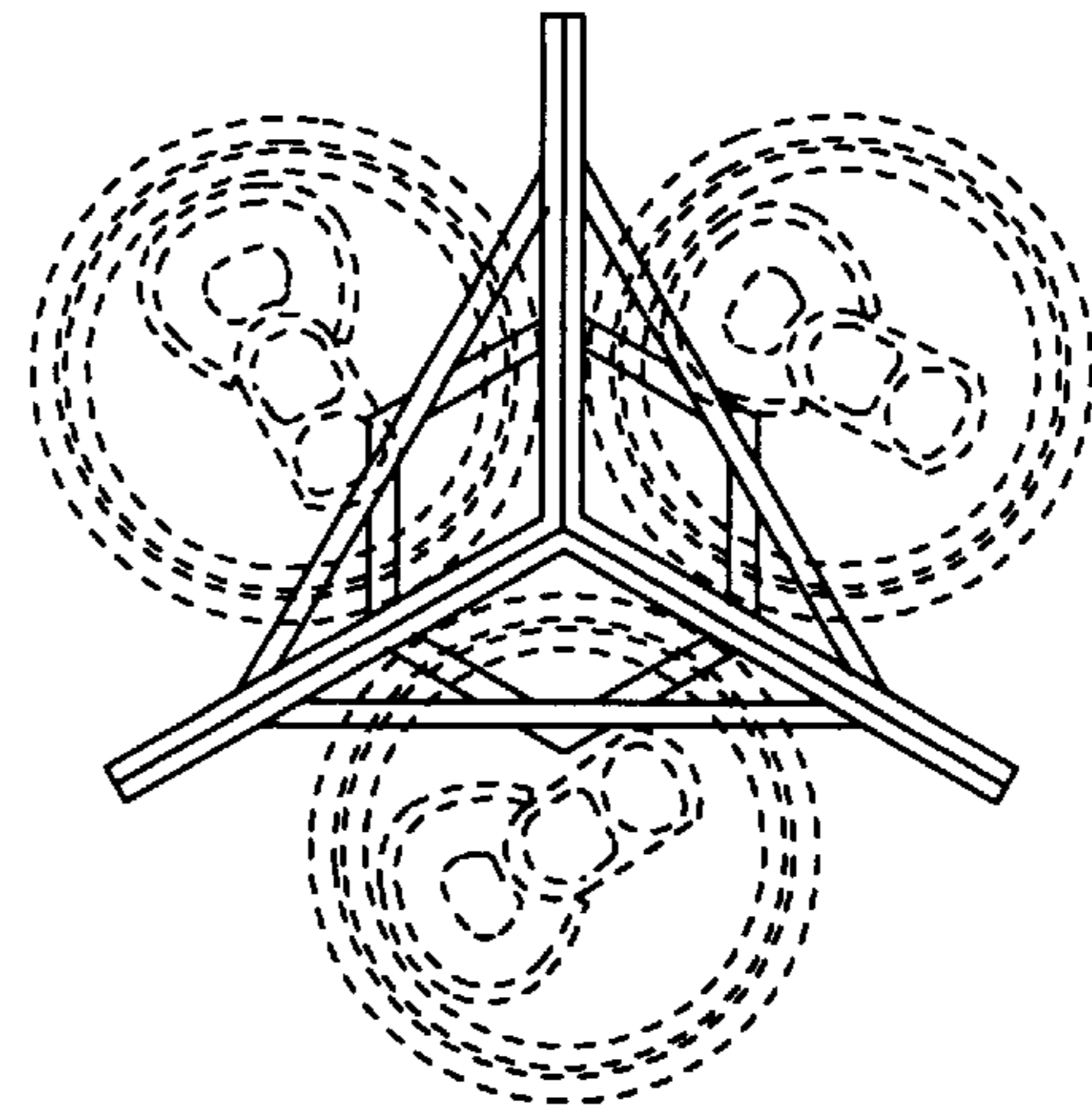


Fig. 2

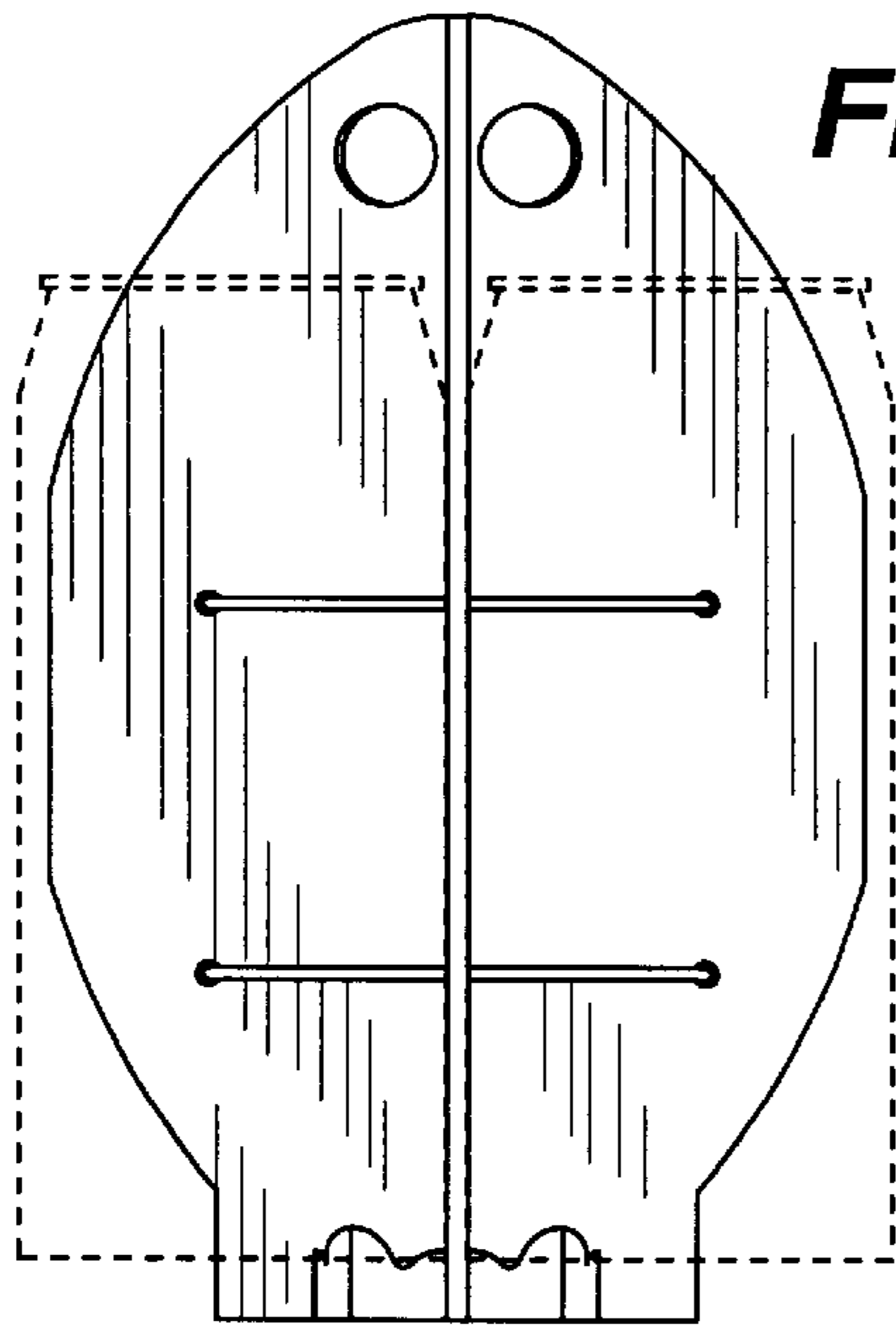


Fig. 3

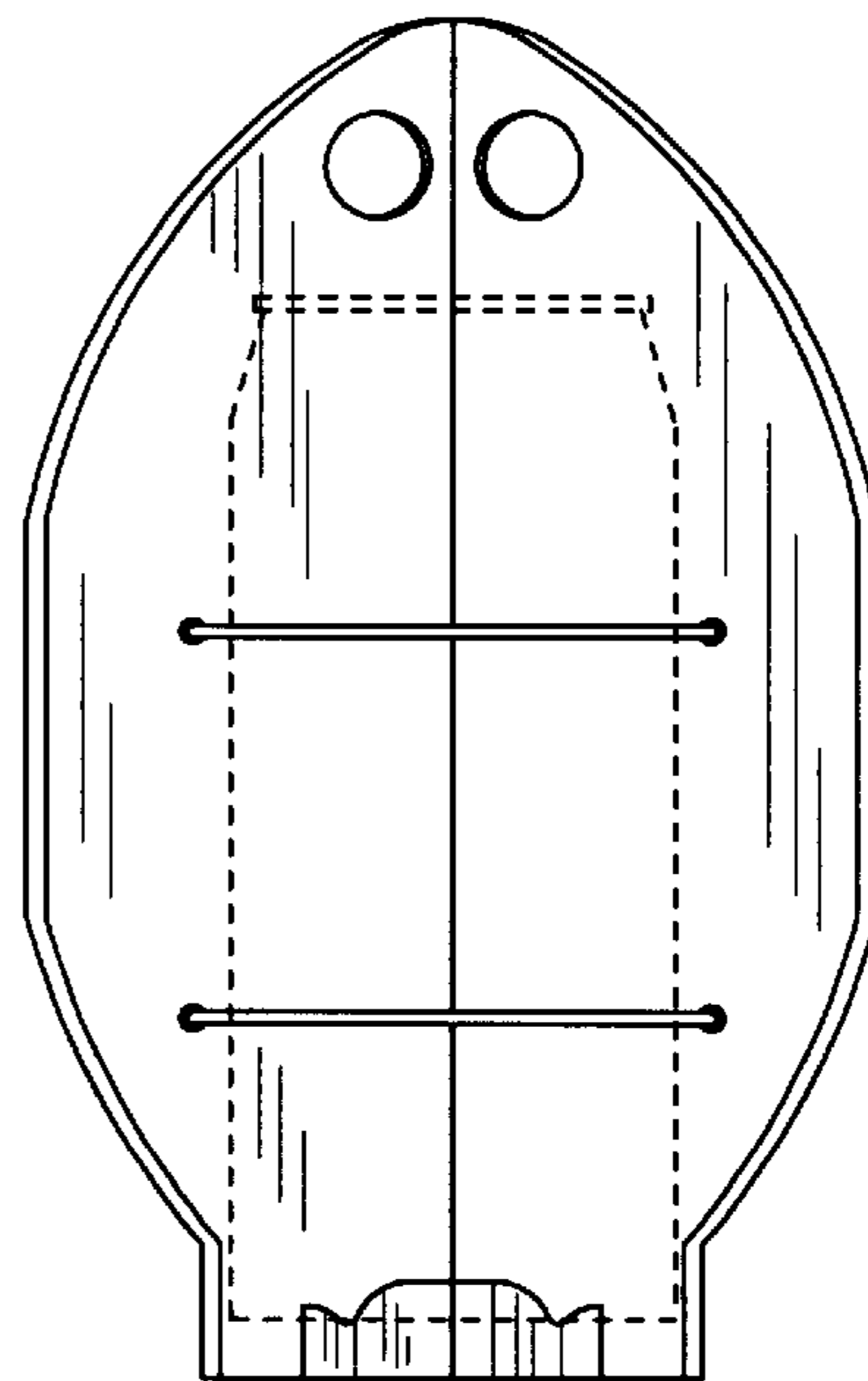


Fig. 4

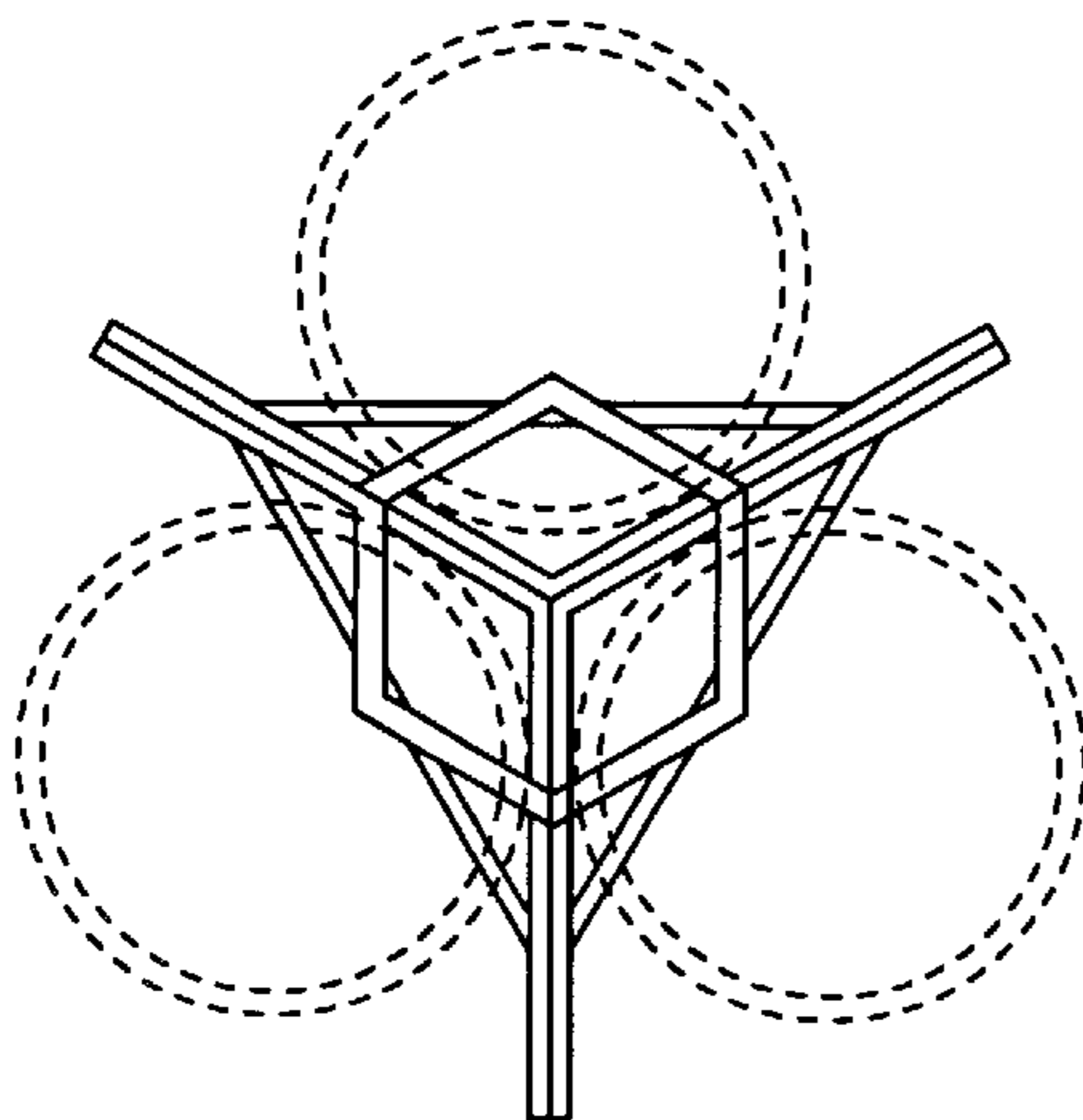


Fig. 5