



US00D520874S

(12) **United States Design Patent**
Gross et al.

(10) **Patent No.:** **US D520,874 S**

(45) **Date of Patent:** **** May 16, 2006**

(54) **CONTAINER COVER**

(75) Inventors: **Robert Michael Gross**, Midland, MI (US); **Jason Matthew Osentoski**, Gladwin, MI (US); **Daniel Aaron Maciag**, Midland, MI (US); **Glenn Josef White**, Louisville, KY (US); **Susan Elizabeth Thomas**, Louisville, KY (US)

(73) Assignees: **Huhtamaki Company Technology**, DeSoto, KS (US); **KFC Corporation**, Louisville, KY (US)

(**) Term: **14 Years**

(21) Appl. No.: **29/225,242**

(22) Filed: **Mar. 14, 2005**

(51) **LOC (8) Cl.** **09-07**

(52) **U.S. Cl.** **D9/452**

(58) **Field of Classification Search** D9/429, D9/435, 442, 444, 447, 448, 450, 452-454; D8/DIG. 2; D7/392.1; D23/250; D21/390; D19/43; D12/197; 220/288; 215/316, 328, 215/382-385, 353; 222/420

See application file for complete search history.

(56) **References Cited**

U.S. PATENT DOCUMENTS

D55,125 S * 5/1920 Hammer D9/453

1,981,414 A * 11/1934 Hermani D9/454
D100,387 S * 7/1936 Perry D9/453
D204,961 S * 5/1966 Kossnar D9/429
4,375,862 A * 3/1983 Kurinsky et al. D9/452
D301,690 S * 6/1989 Mobberley D9/452
D389,061 S * 1/1998 Ebrahim et al. D9/452
D469,693 S * 2/2003 Weiss et al. D9/452
D477,224 S * 7/2003 Hussain D9/453
D482,967 S * 12/2003 Bourque et al. D9/435
D485,181 S * 1/2004 Yourist D9/454

* cited by examiner

Primary Examiner—Robert M. Spear

Assistant Examiner—Susan Bennett Hattan

(74) *Attorney, Agent, or Firm*—William B. Kircher

(57) **CLAIM**

The ornamental design for a container cover, as shown and described.

DESCRIPTION

FIG. 1 is a perspective view of a container cover embodying the design, according to the present invention;

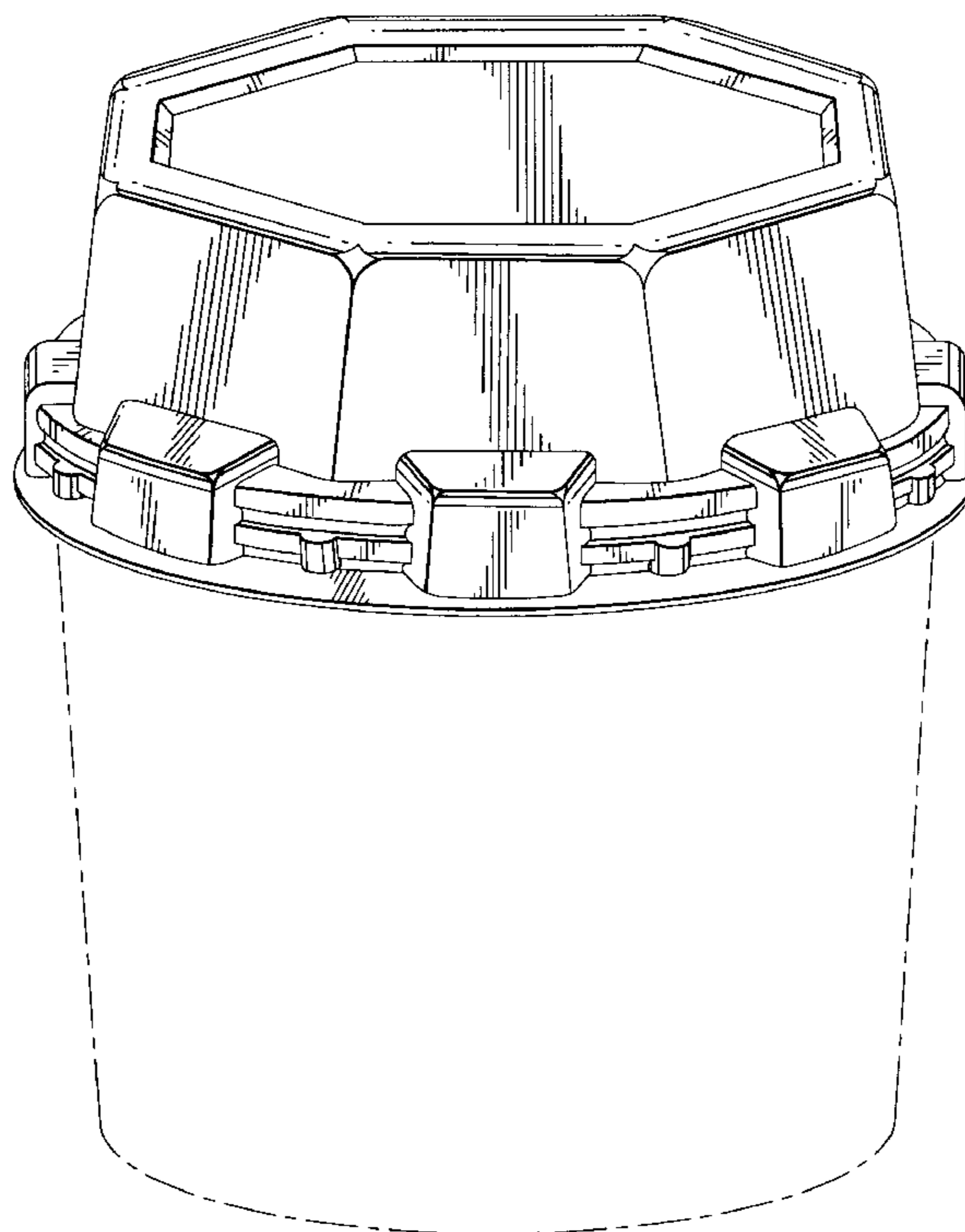
FIG. 2 is a top plan view thereof;

FIG. 3 is a side elevational view of the view shown in FIG. 2; and,

FIG. 4 is a bottom plan view of the view shown in FIG. 2.

The broken lines are environmental only and form no part of the claimed design.

1 Claim, 2 Drawing Sheets



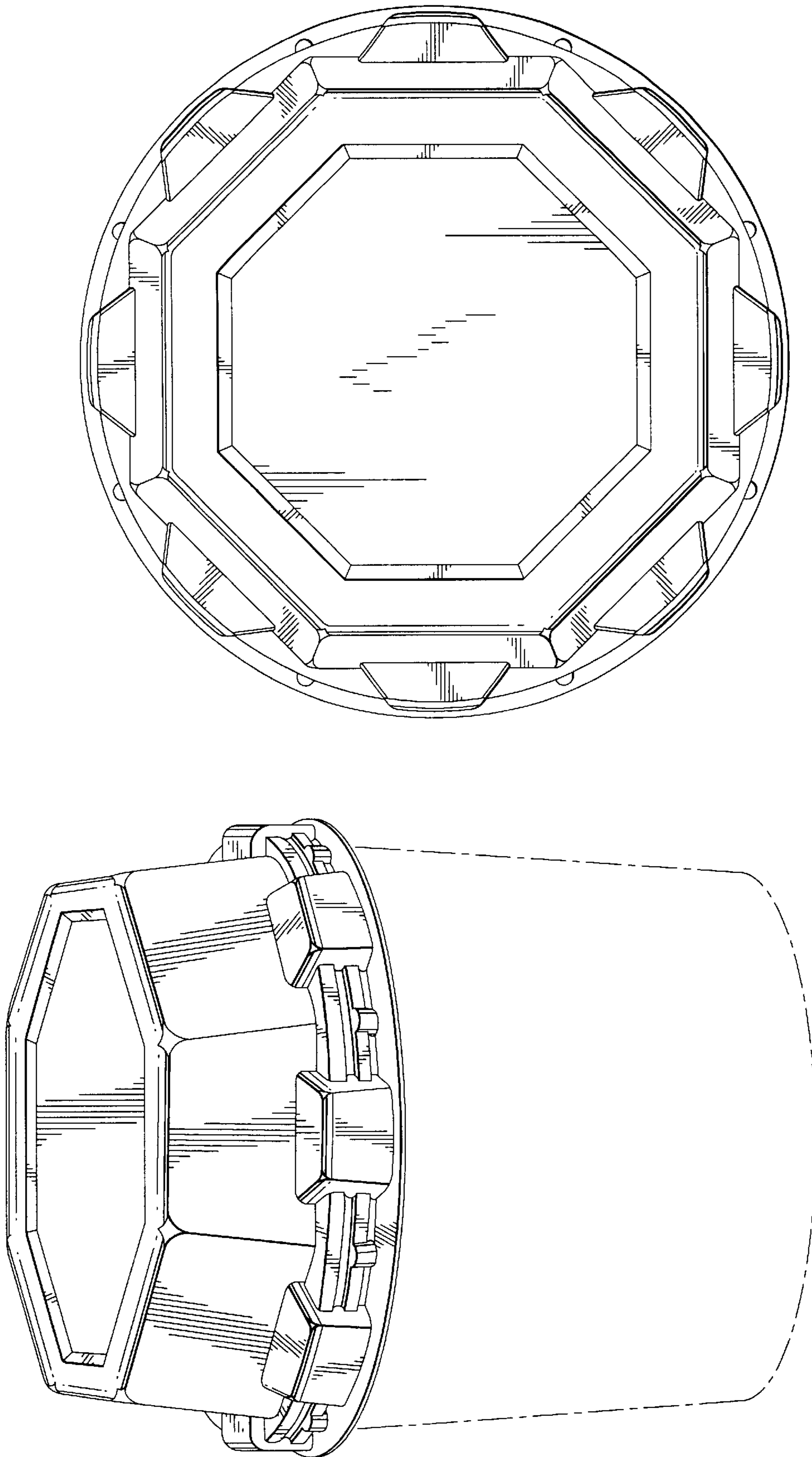


FIG. 2.

FIG. 1.

FIG. 4.

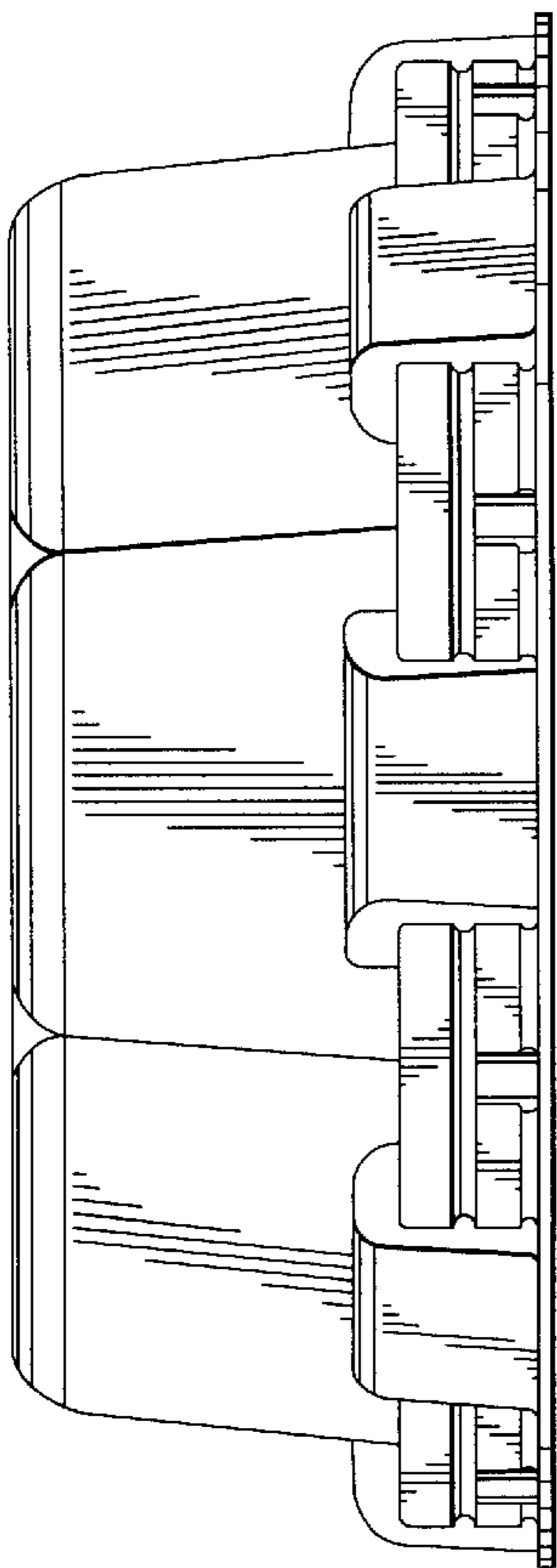
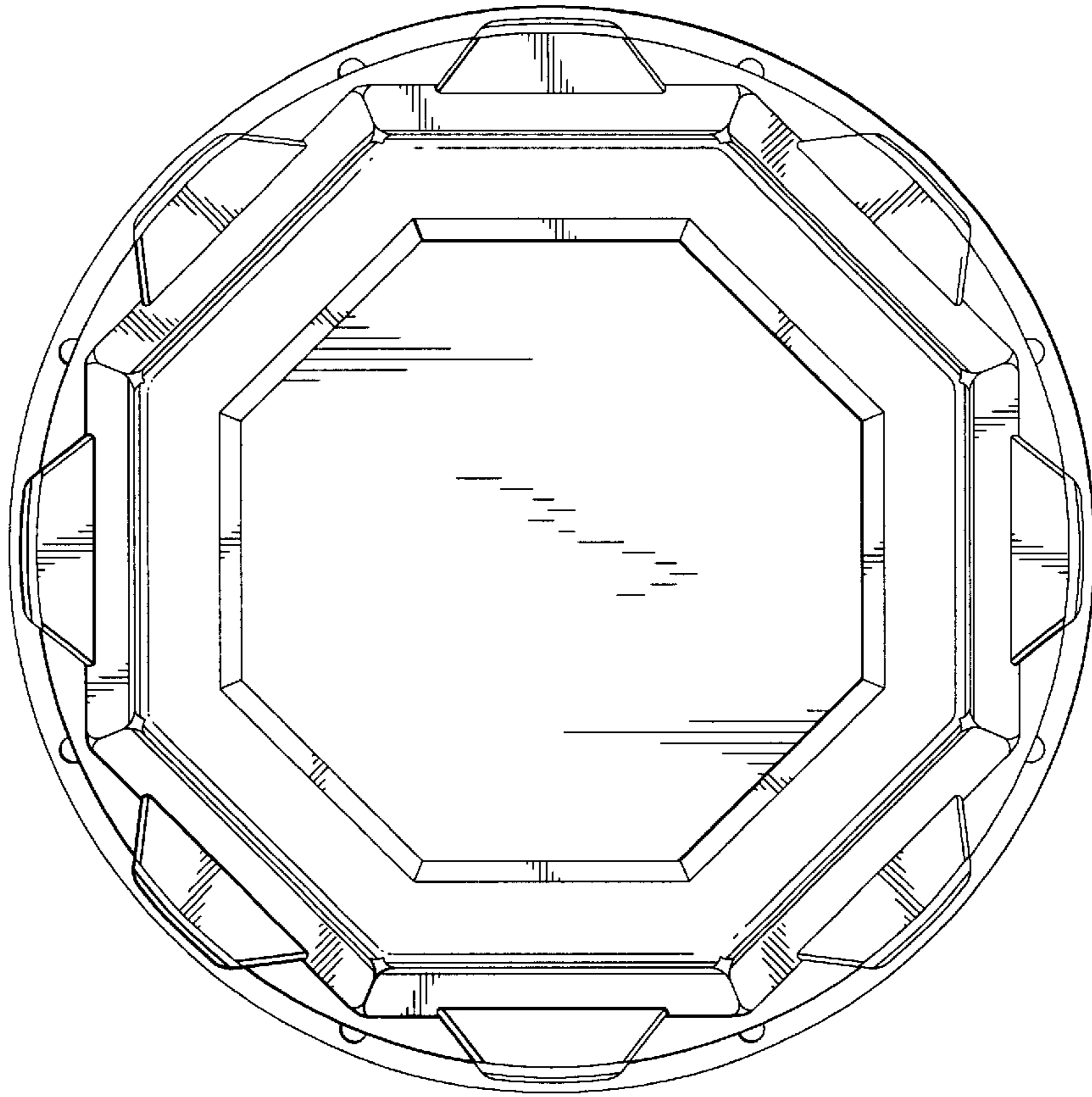


FIG. 3.