



US00D520867S

(12) **United States Design Patent**
Chang

(10) **Patent No.:** **US D520,867 S**

(45) **Date of Patent:** **** May 16, 2006**

(54) **PACKAGE FOR CONTACT LENSES**

(75) Inventor: **Hsi-Shih Chang**, Taipei (TW)

(73) Assignee: **St. Shine Optical Co., Ltd.**, Hsi Chih (TW)

(**) Term: **14 Years**

(21) Appl. No.: **29/204,803**

(22) Filed: **May 4, 2004**

(51) **LOC (8) Cl.** **09-03**

(52) **U.S. Cl.** **D9/415**

(58) **Field of Classification Search** D9/415,
D9/414, 416, 424, 425, 428; D3/264; 206/495,
206/5.1

See application file for complete search history.

(56) **References Cited**

U.S. PATENT DOCUMENTS

- D305,478 S * 1/1990 Lahm et al. D3/264
- D352,237 S * 11/1994 Reardon et al. D9/415
- 5,704,468 A * 1/1998 Lust et al. 206/5.1
- 5,823,327 A * 10/1998 Wu et al. 206/5.1

2004/0031701 A1 * 2/2004 Peck et al. 206/5.1

* cited by examiner

Primary Examiner—Stella Reid

Assistant Examiner—Derrick Holland

(74) *Attorney, Agent, or Firm*—Patterson, Thunte, Skaar & Christensen, P.A.

(57) **CLAIM**

The ornamental design for a package for contact lenses, as shown and described.

DESCRIPTION

FIG. 1 is a perspective view of a package for contact lenses showing my new design.

FIG. 2 is a front view;

FIG. 3 is a rear view;

FIG. 4 is a left side view;

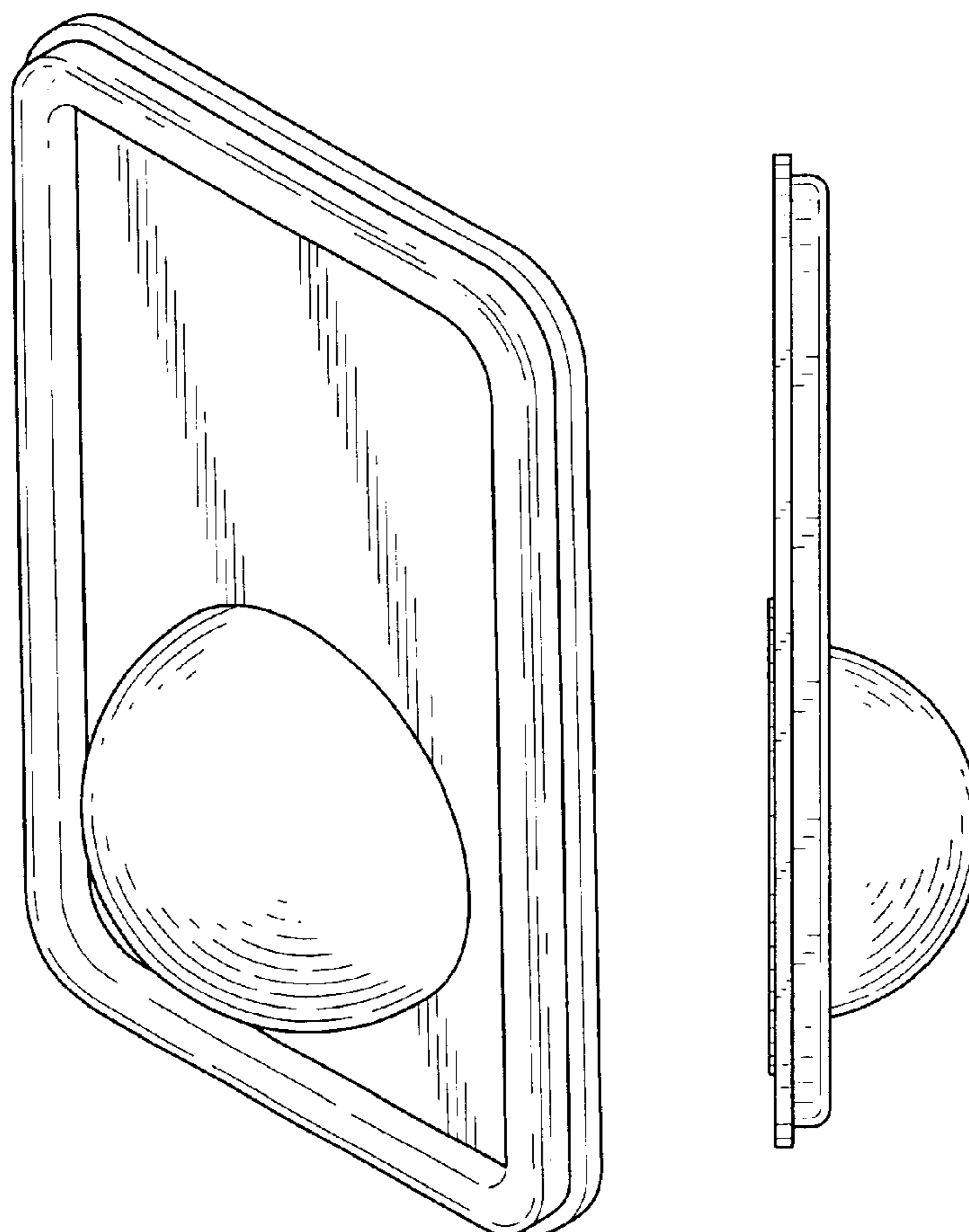
FIG. 5 is a right side view;

FIG. 6 is a top view;

FIG. 7 is a bottom view; and,

FIG. 8 is a cross-sectional view, taken on line 8—8 and in the direction of arrows in FIG. 2.

1 Claim, 4 Drawing Sheets



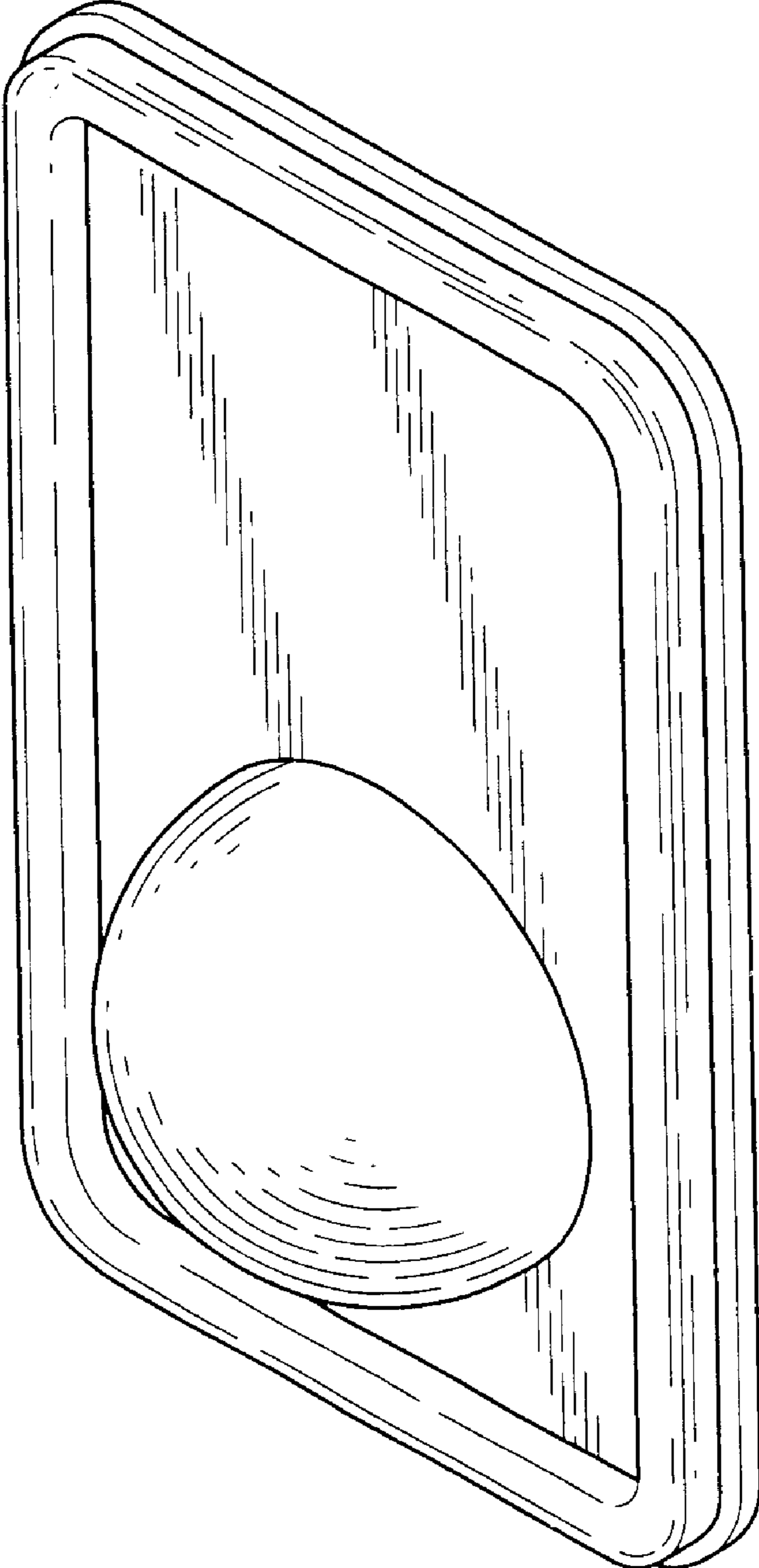


FIG . 1

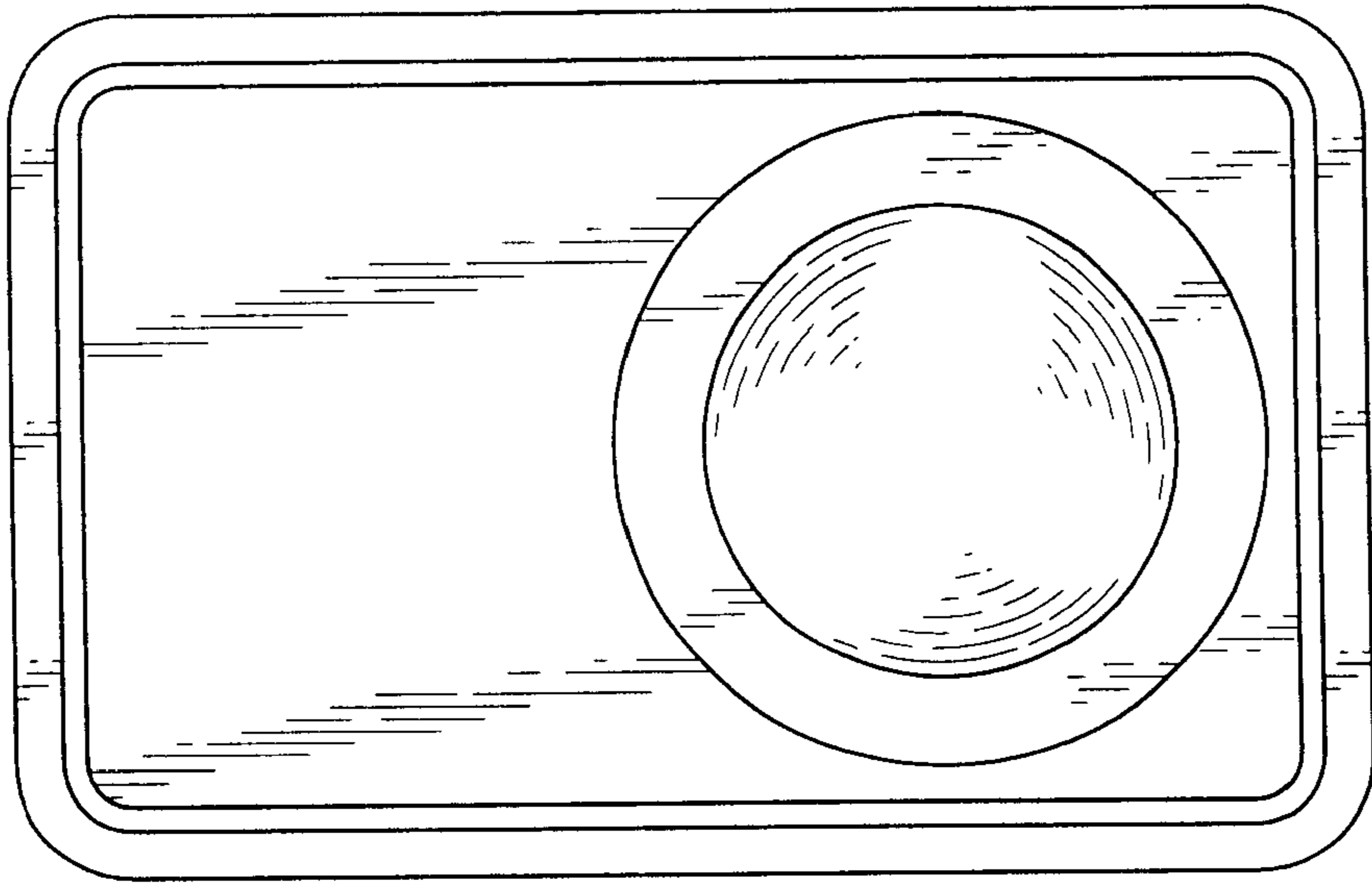


FIG. 3

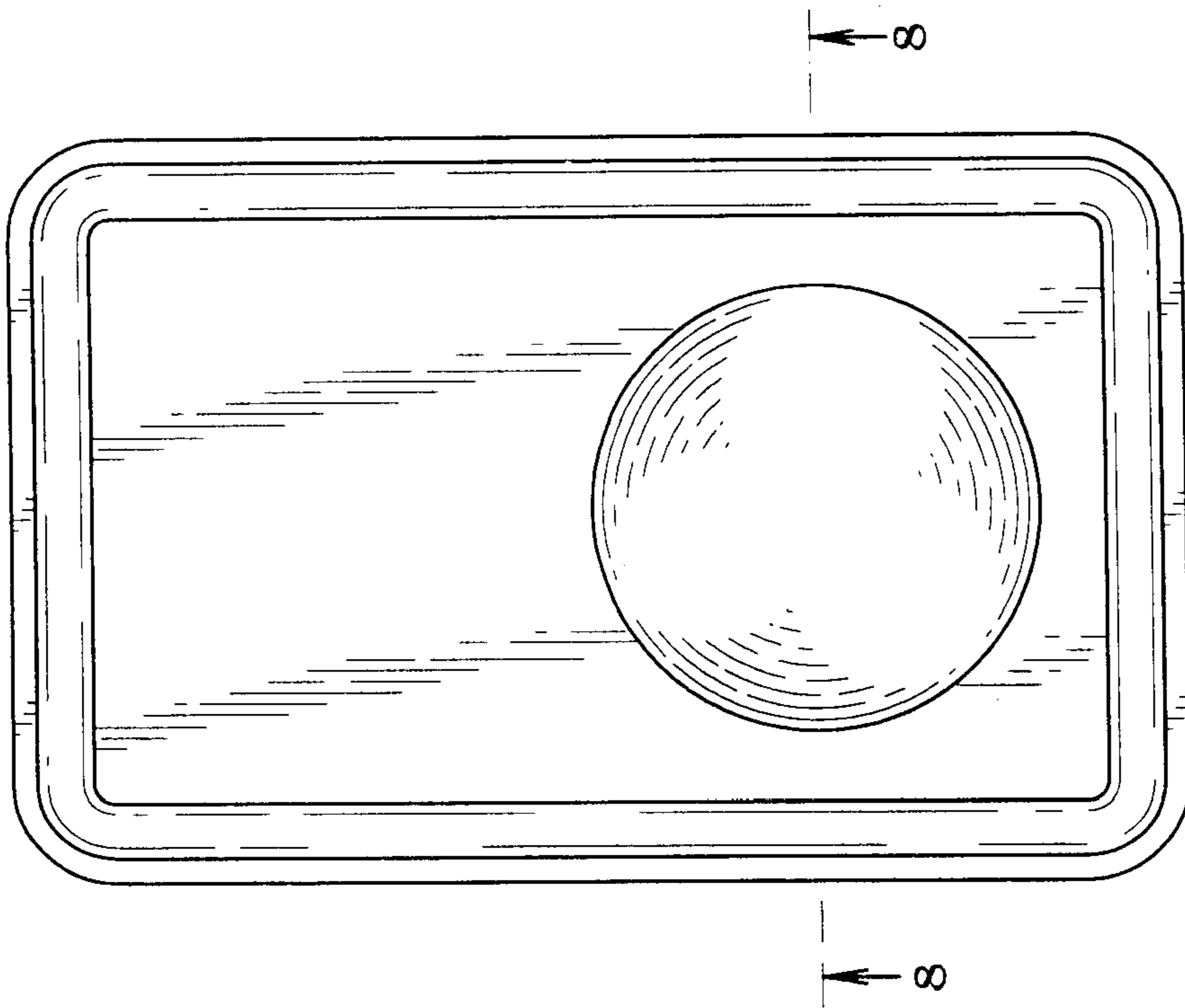


FIG. 2

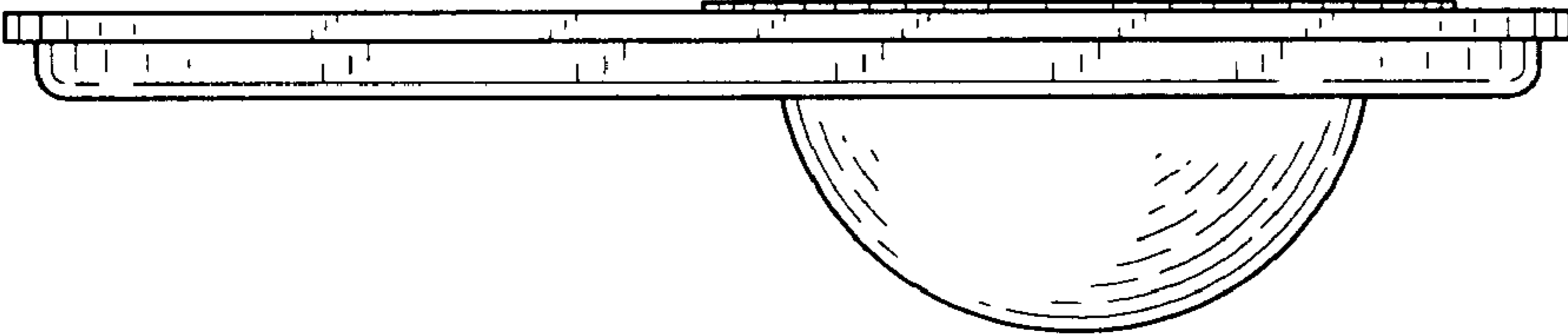


FIG. 5

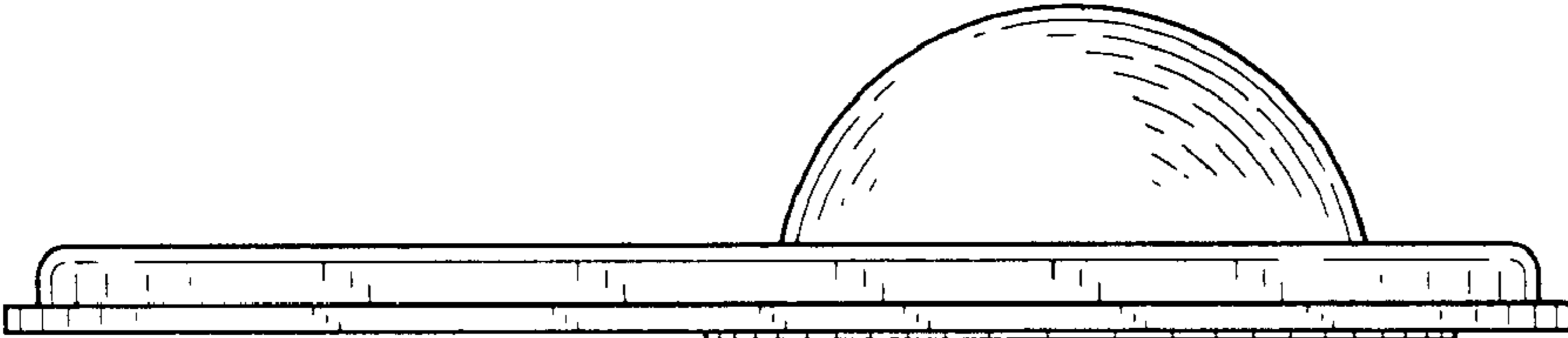


FIG. 4

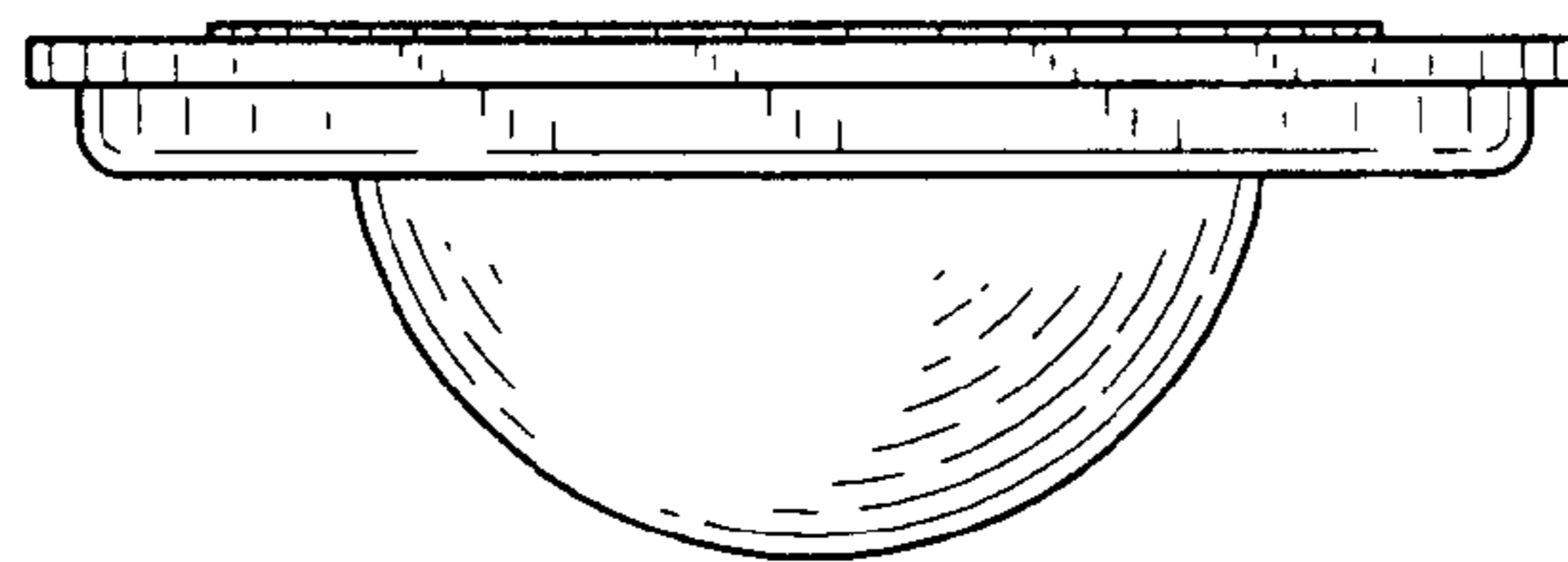


FIG. 6

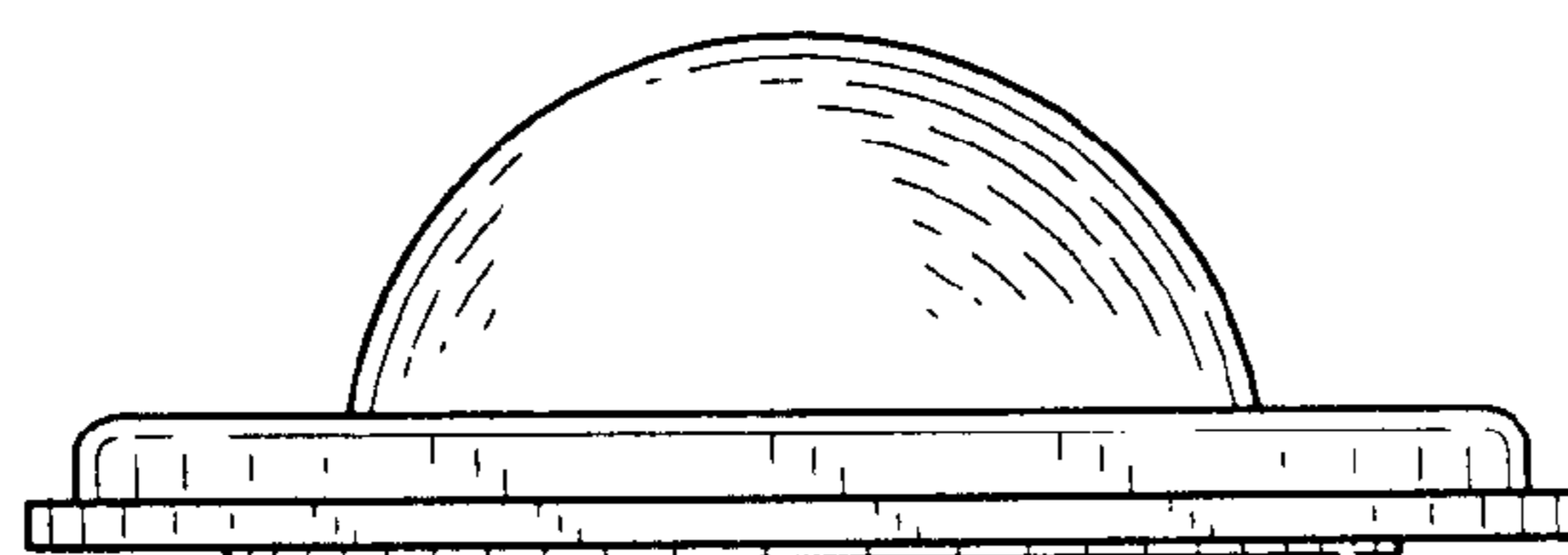


FIG. 7

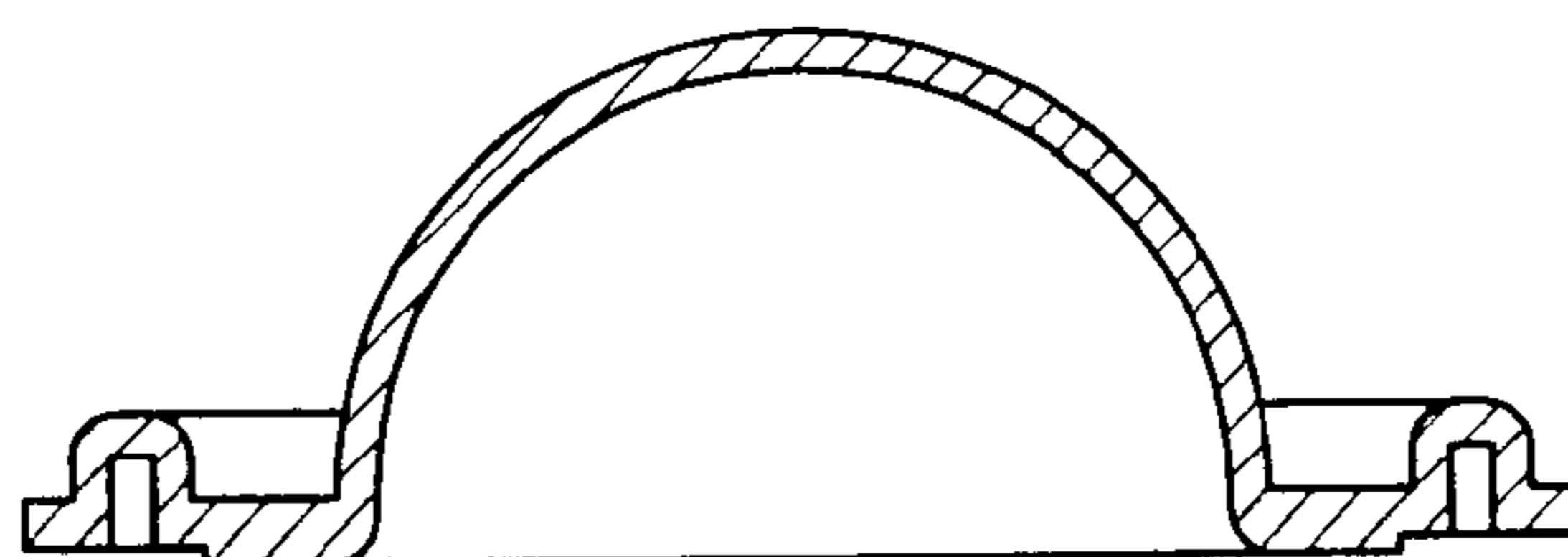


FIG. 8