

US00D520866S

(12) **United States Design Patent**
Shirakawa

(10) **Patent No.:** **US D520,866 S**

(45) **Date of Patent:** **** May 16, 2006**

(54) **APPARATUS FOR CLAMPING A WORKPIECE**

6,719,281 B1 * 4/2004 Kohlert 269/32

OTHER PUBLICATIONS

(75) Inventor: **Tsutomu Shirakawa**, Kobe (JP)

U.S. Appl. No. 29/195,077, filed Dec. 8, 2003, Shirakawa.

U.S. Appl. No. 29/195,078, filed Dec. 8, 2003, Shirakawa.

(73) Assignee: **Kosmek Ltd.**, Kobe (JP)

* cited by examiner

(**) Term: **14 Years**

Primary Examiner—Gary D. Watson

Assistant Examiner—T. Chase Nelson

(21) Appl. No.: **29/195,079**

(74) *Attorney, Agent, or Firm*—Oblon, Spivak, McClelland, Maier & Neustadt, P.C.

(22) Filed: **Dec. 8, 2003**

(30) **Foreign Application Priority Data**

(57) **CLAIM**

Jun. 6, 2003 (JP) 2003-015950

The ornamental design for an apparatus for clamping a workpiece, as shown and described.

(51) **LOC (8) Cl.** **08-08**

DESCRIPTION

(52) **U.S. Cl.** **D8/397**

(58) **Field of Classification Search** D8/382, D8/387, 397, 398, 399; 411/81, 98, 103, 411/106, 145, 146, 172, 179, 197, 204, 248, 411/337, 338, 368, 371.2, 372.5, 418, 427, 411/429, 430, 431, 432, 436, 437, 500, 511, 411/512, 514, 531, 532, 533, 535, 536, 537, 411/538, 542, 544, 918, 526, 928; 70/229; 301/35.623, 111.01; 267/159; 269/32, 137
See application file for complete search history.

FIG. 1 is a front elevational view of an apparatus for clamping a workpiece, showing my design;
FIG. 2 is a rear elevational view thereof;
FIG. 3 is a right side elevational view thereof, the left side elevational view being a mirror image of the side view shown;
FIG. 4 is a top plan view;
FIG. 5 is a bottom plan view;
FIG. 6 is a cross-sectional view thereof taken in the direction of the arrows along line 6—6 of FIG. 4; and,
FIG. 7 is a front elevational view thereof showing the design when used for the workpiece.

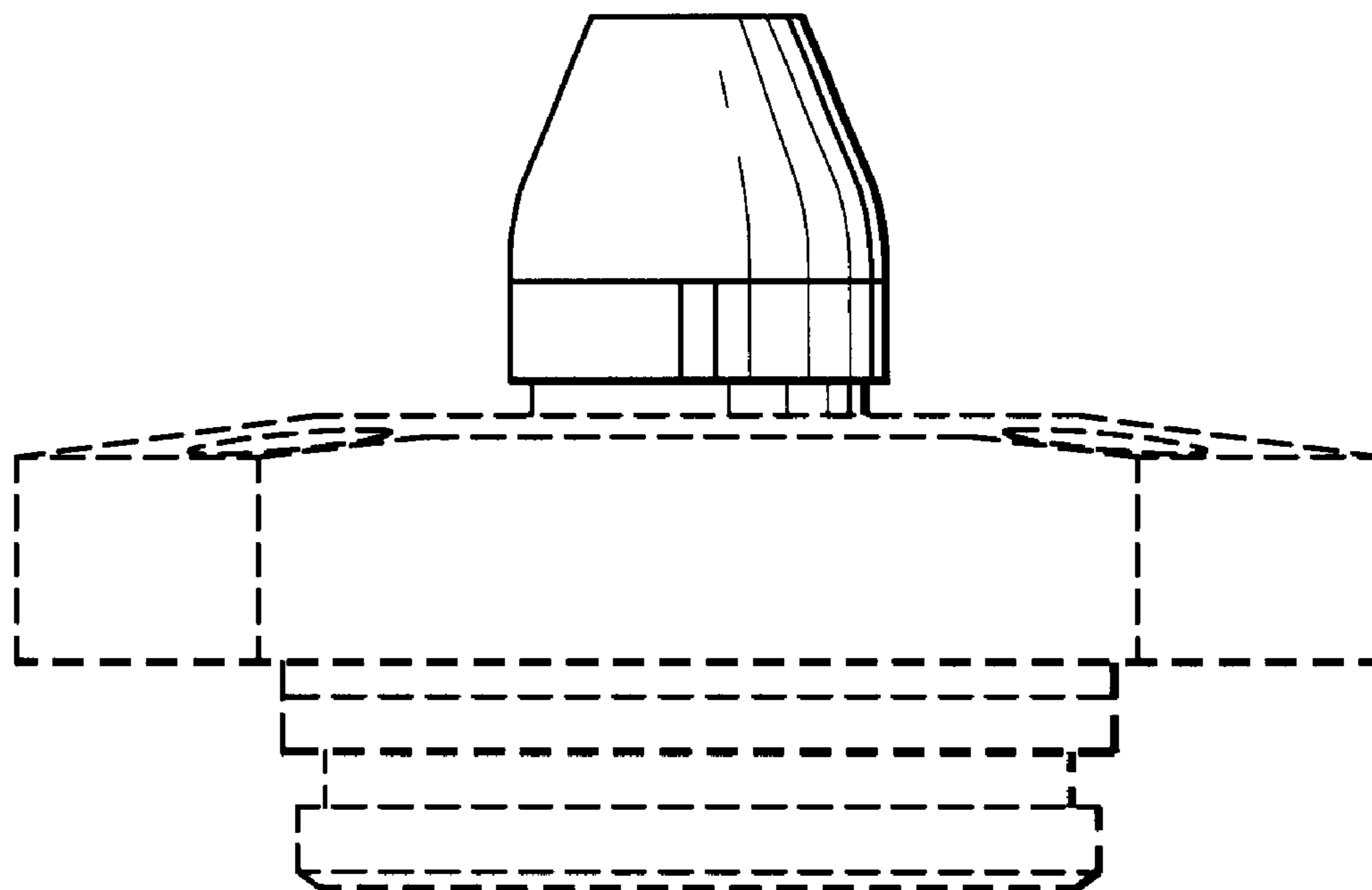
The broken line illustration of the workpiece shown in FIG. 7 and the broken line showings in each of the figure views are for illustrative purposes only and form no part of the claimed design.

(56) **References Cited**

U.S. PATENT DOCUMENTS

- 2,877,817 A * 3/1959 Rockwell 411/106
- D208,429 S * 8/1967 Holliday D8/397
- D262,354 S * 12/1981 Kishida D8/397
- 4,396,327 A * 8/1983 Menke 411/103
- 6,021,532 A * 2/2000 Ricke 411/535
- 6,308,943 B1 * 10/2001 Fischer et al. 269/32
- 6,609,705 B1 * 8/2003 Schindler et al. 269/32

1 Claim, 4 Drawing Sheets



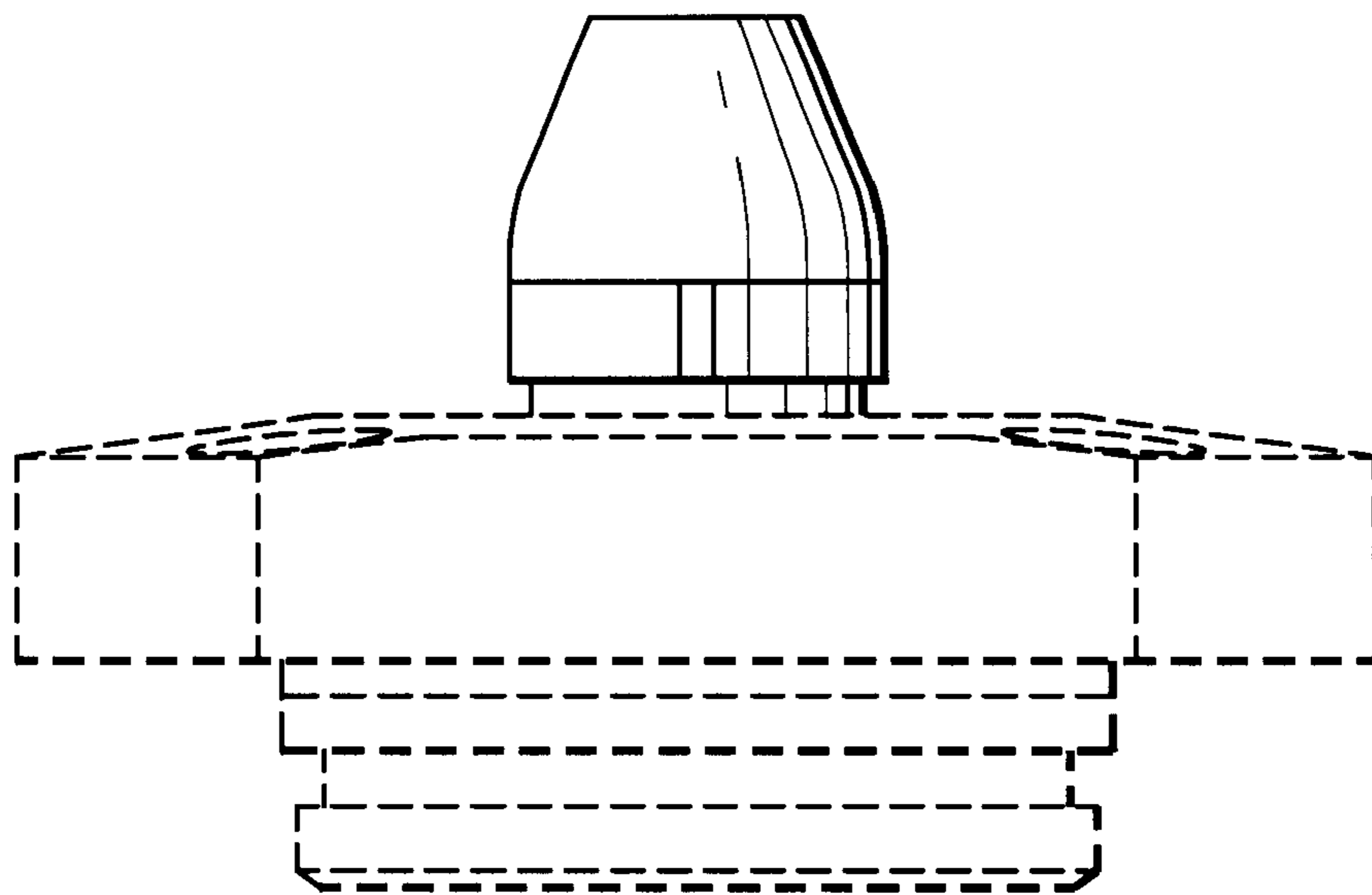


Fig. 1

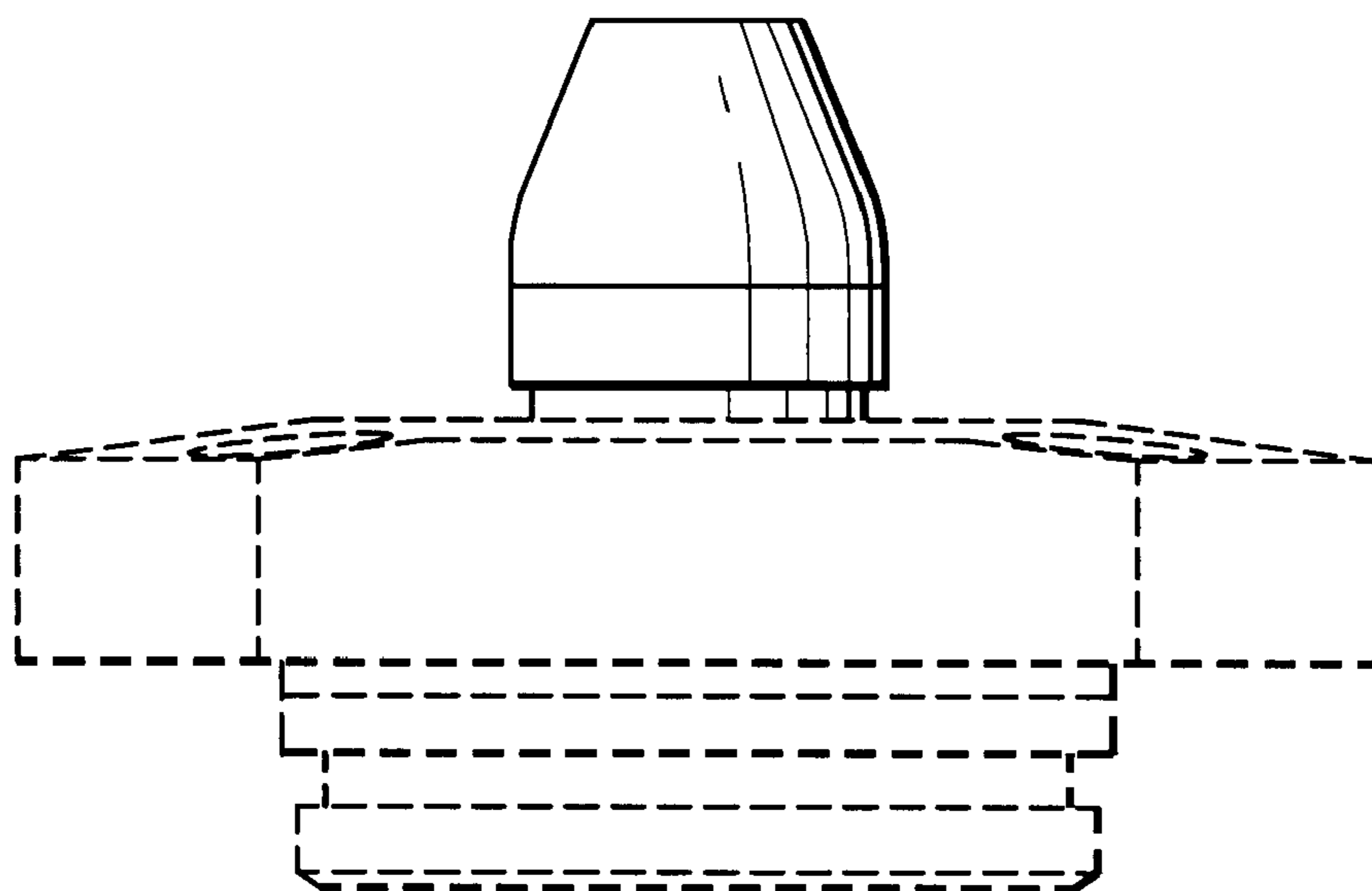


Fig. 2

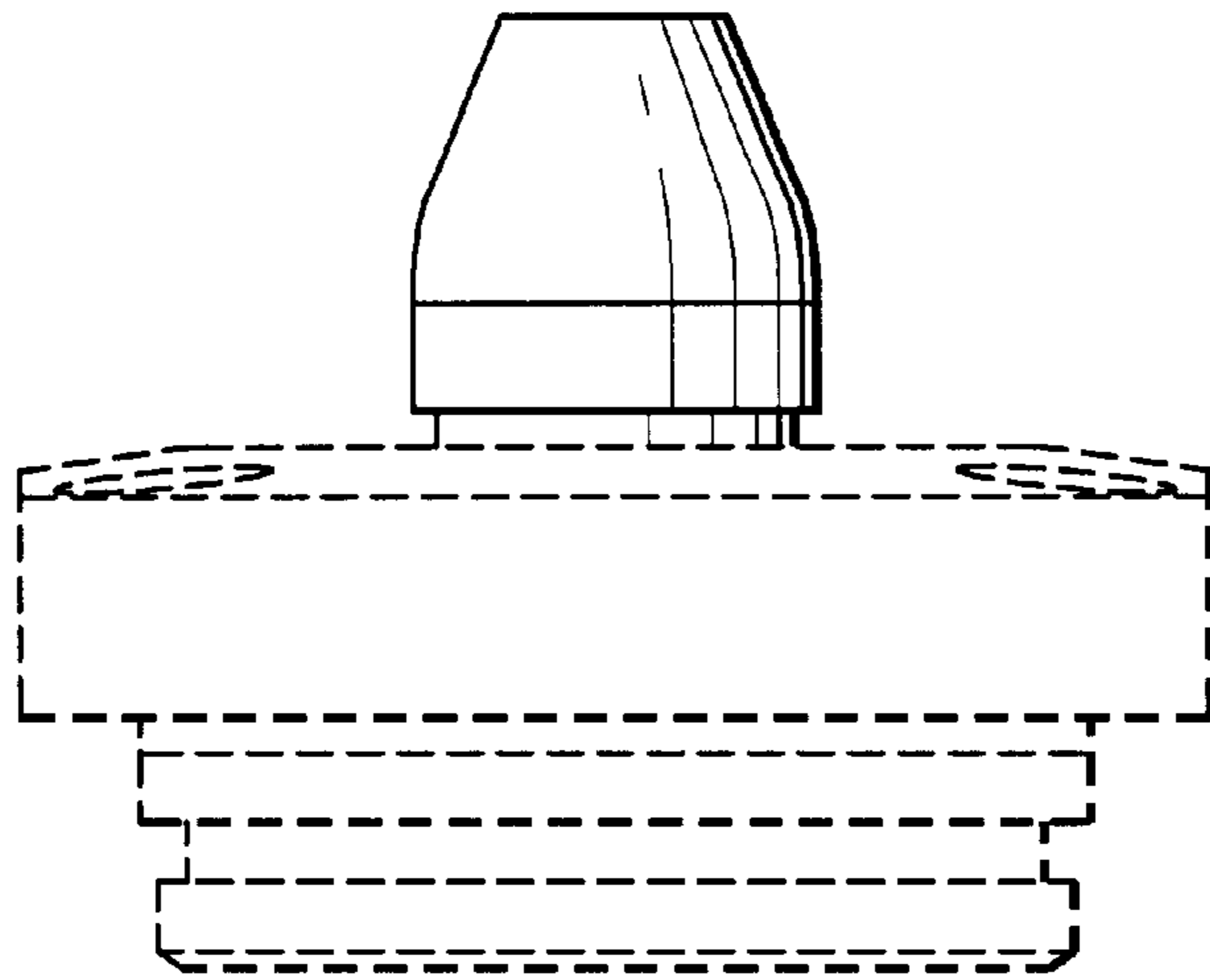


Fig. 3

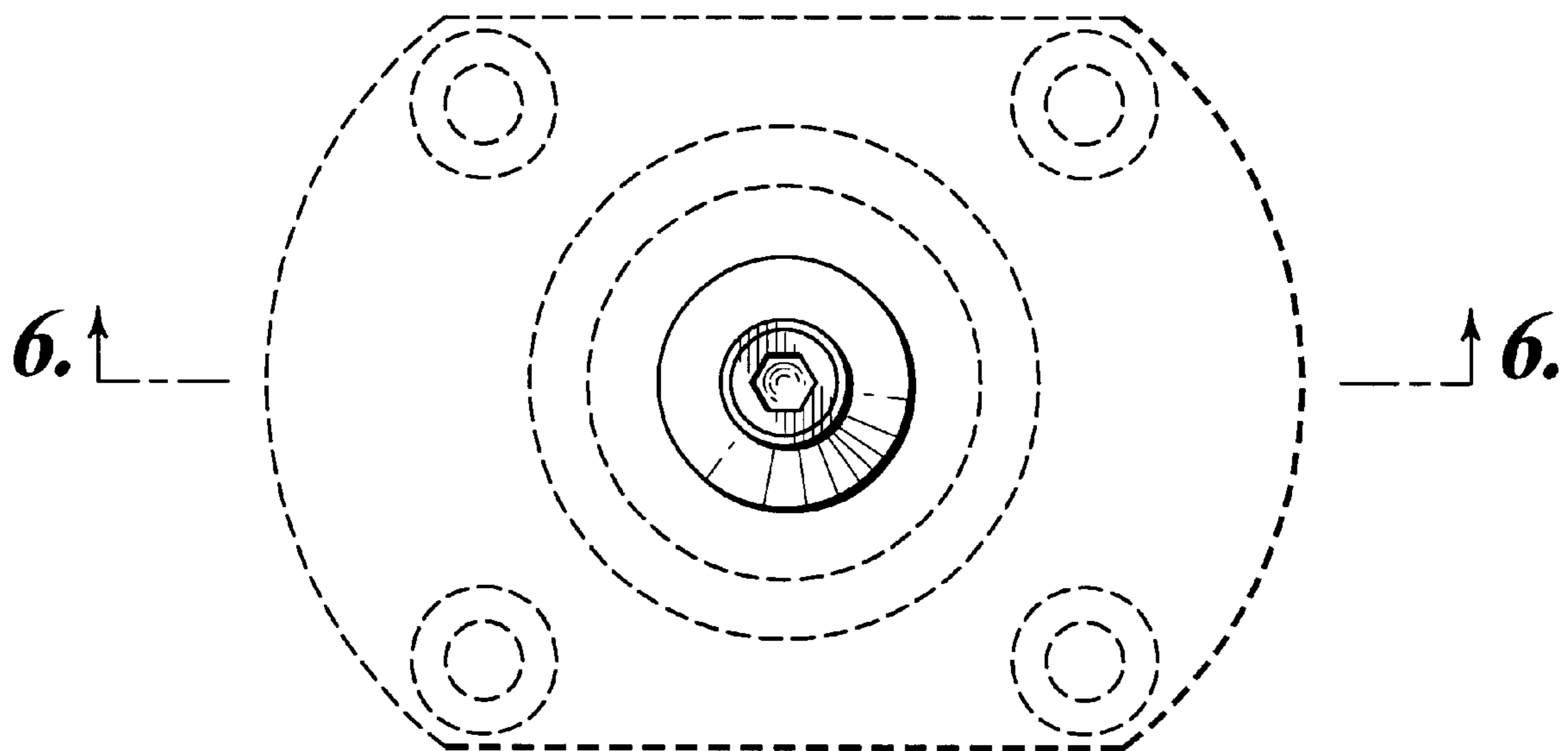


Fig. 4

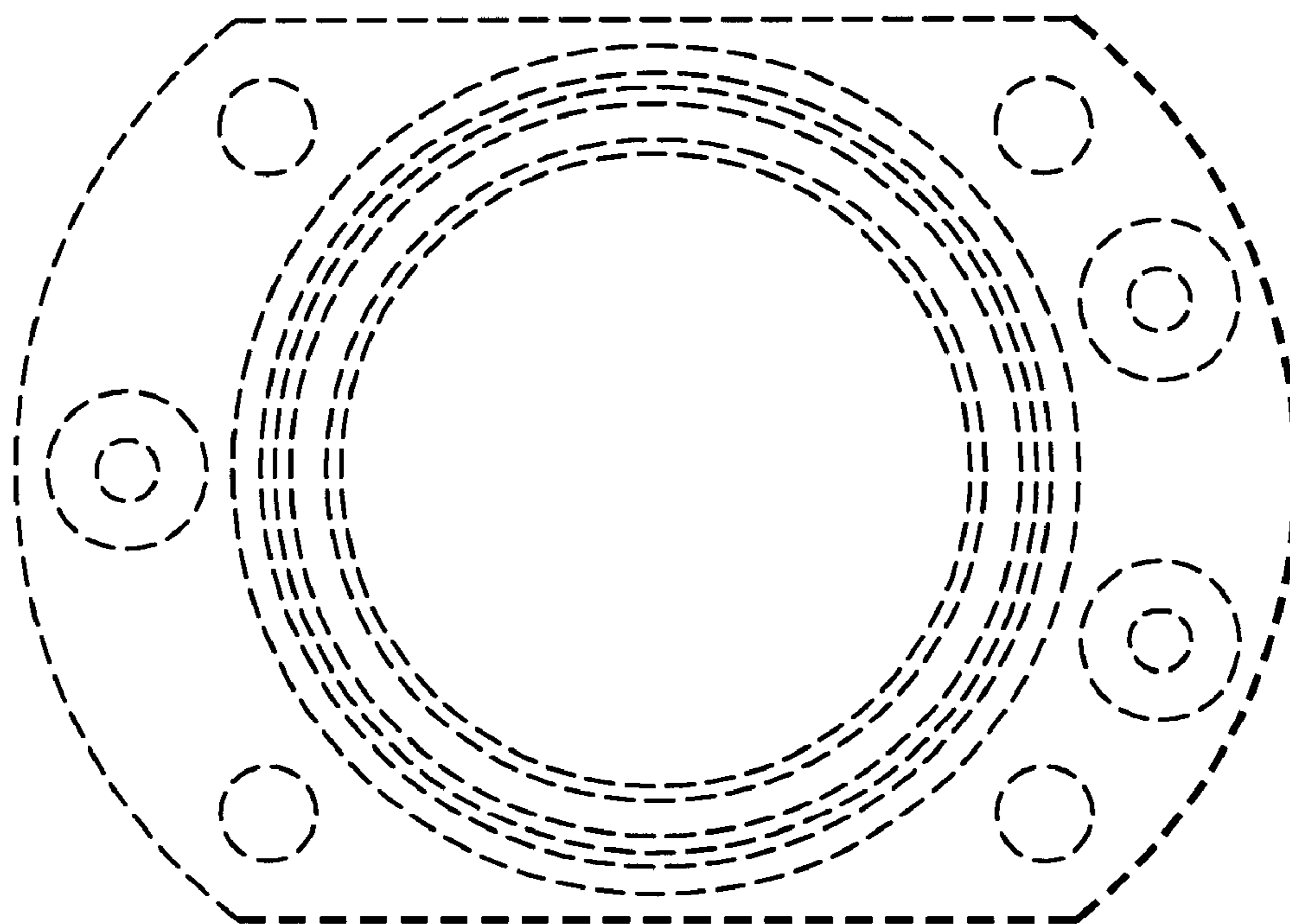


Fig. 5

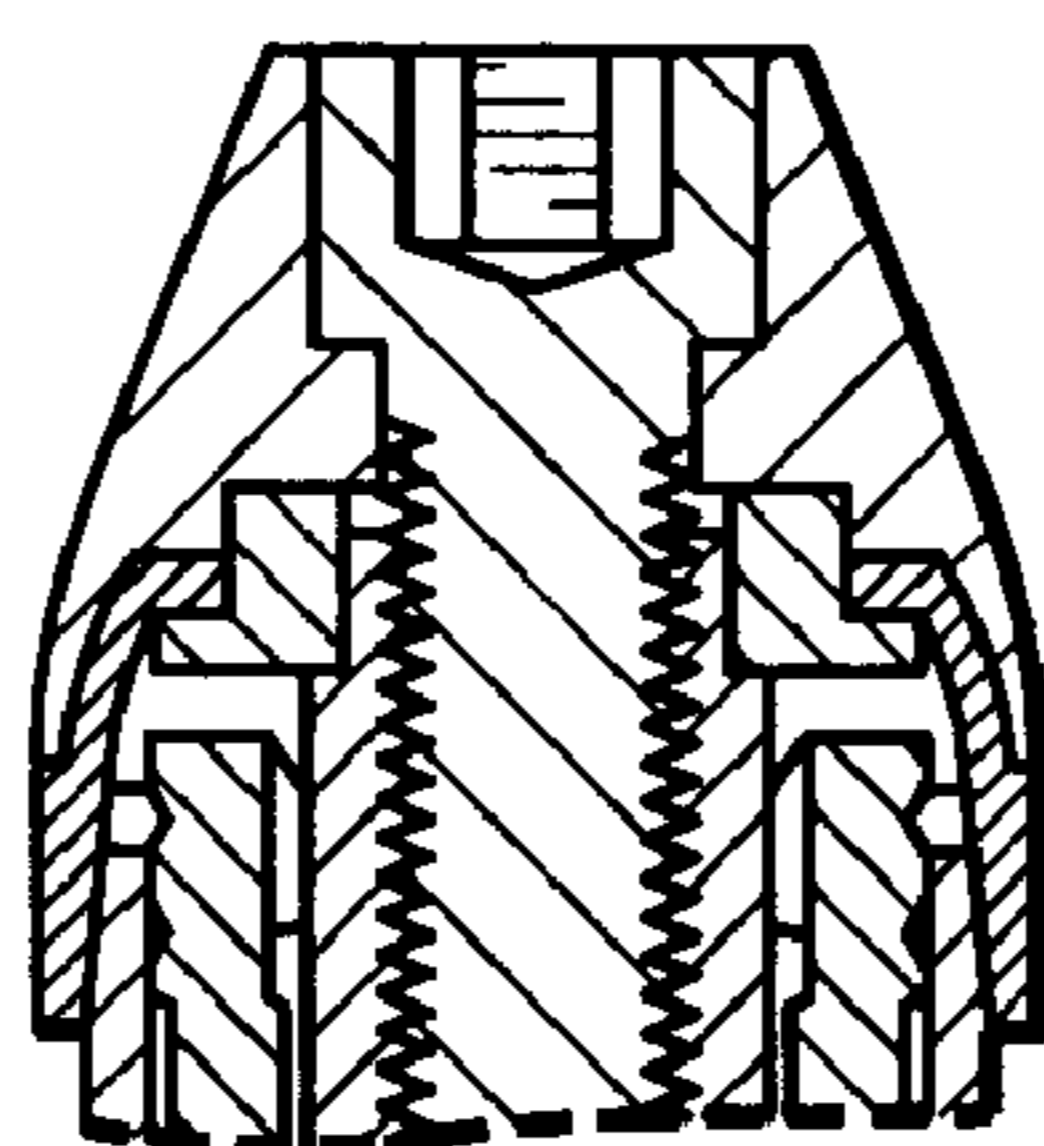


Fig. 6

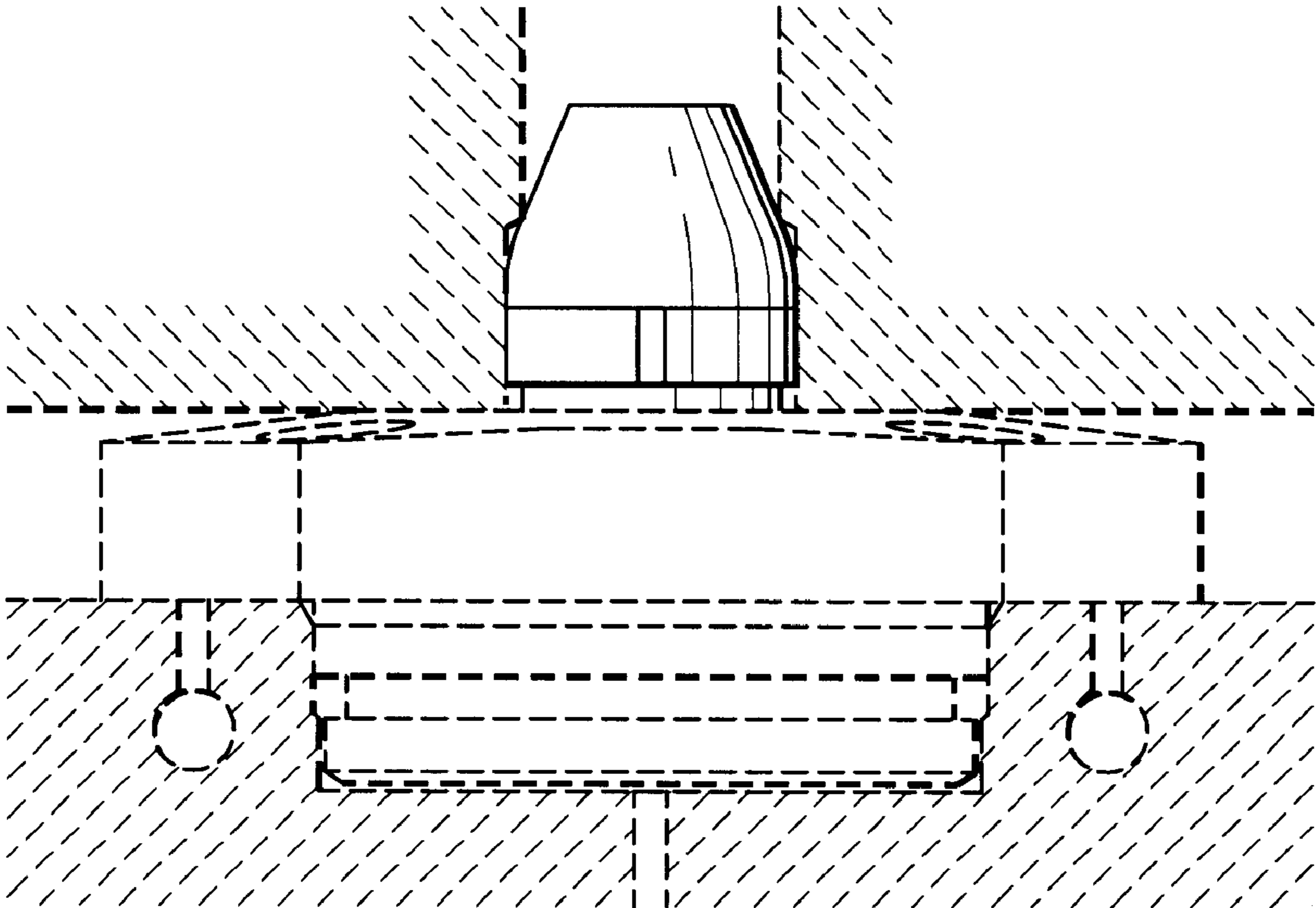


Fig. 7