



US00D520863S

(12) **United States Design Patent**
Schwartz et al.

(10) **Patent No.:** **US D520,863 S**

(45) **Date of Patent:** **** May 16, 2006**

(54) **FIBER OPTIC CABLE RETENTION AND GUIDE CLIP**

(75) Inventors: **Alexander J. Schwartz**, Burnsville, MN (US); **Gregory D. Casey**, Apple Valley, MN (US)

(73) Assignee: **QLogic Corporation**, Aliso Viejo, CA (US)

(**) Term: **14 Years**

(21) Appl. No.: **29/209,313**

(22) Filed: **Jul. 14, 2004**

(51) **LOC (8) Cl.** **08-08**

(52) **U.S. Cl.** **D8/394; D8/396**

(58) **Field of Classification Search** D8/356, D8/383, 394, 396; 24/16 PB, 17 AP, 30.5 P, 24/30.5 S, 300-302, 339, DIG. 16; 248/58, 248/60, 74.3

See application file for complete search history.

(56) **References Cited**

U.S. PATENT DOCUMENTS

3,486,200	A	*	12/1969	Orenick	24/16 PB
3,780,401	A	*	12/1973	Reimer	24/16 PB
4,466,159	A	*	8/1984	Burrage	24/16 PB
D375,041	S	*	10/1996	Chavez et al.	D8/394

* cited by examiner

Primary Examiner—Louis S. Zarfes

Assistant Examiner—John Windmuller

(74) *Attorney, Agent, or Firm*—Howard J Klein; Klein, O'Neill & Singh, LLP

(57) **CLAIM**

The ornamental design of a fiber optic cable retention and guide clip, as shown.

DESCRIPTION

FIG. 1 is a perspective view, taken from the front, top, and left side, of a fiber optic cable retention and guide clip, in accordance with our new design;

FIG. 2 is a right side elevational view of the fiber optic cable retention and guide clip of FIG. 1;

FIG. 3 is a left side elevational view of the fiber optic cable retention and guide clip of FIG. 1;

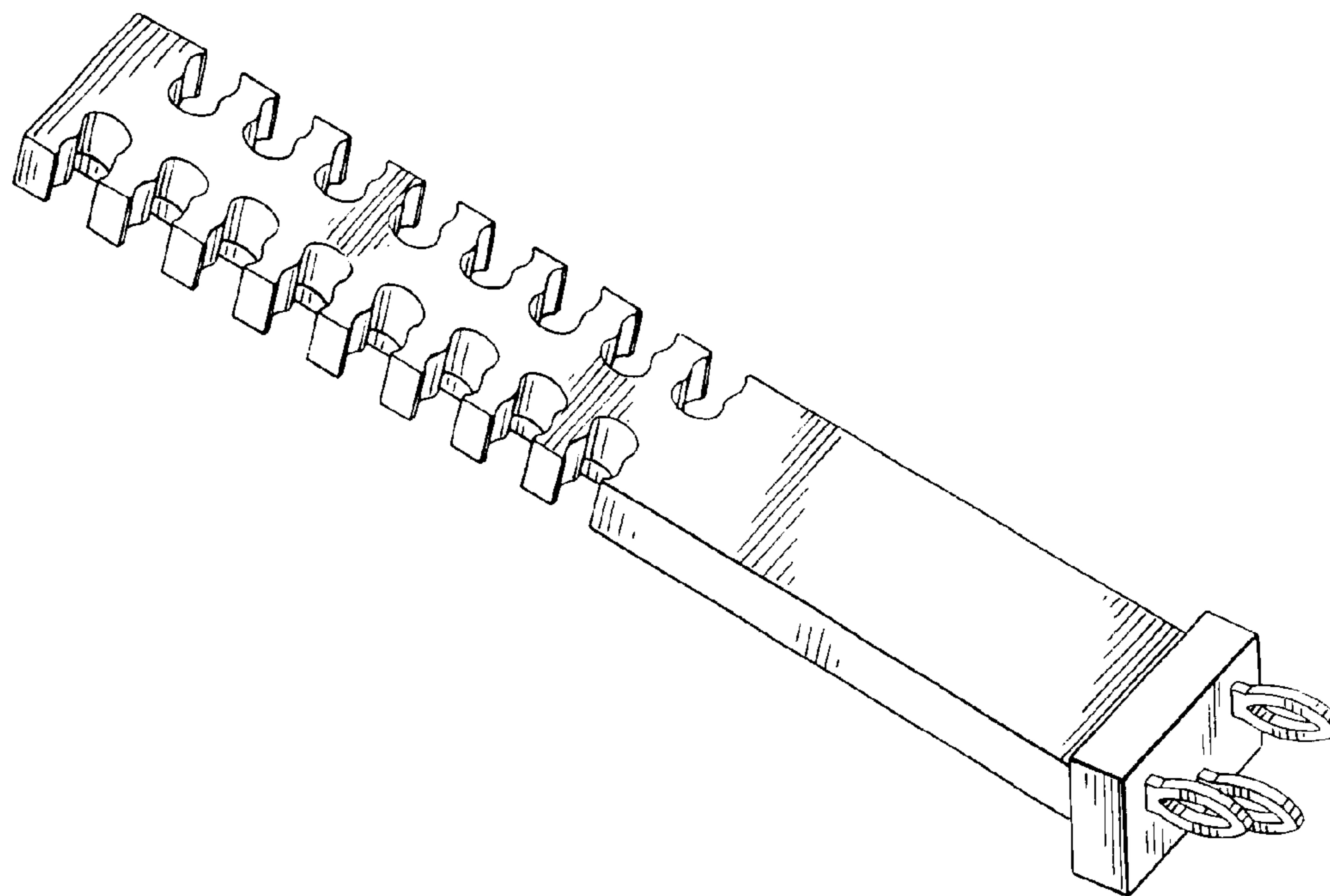
FIG. 4 is top plan view of the fiber optic cable retention and guide clip of FIG. 1;

FIG. 5 is a bottom plan view of the fiber optic cable retention and guide clip of FIG. 1;

FIG. 6 is a rear elevational view of the fiber optic cable retention and guide clip of FIG. 1; and,

FIG. 7 is a front elevational view of the fiber optic cable retention and guide clip of FIG. 1.

1 Claim, 2 Drawing Sheets



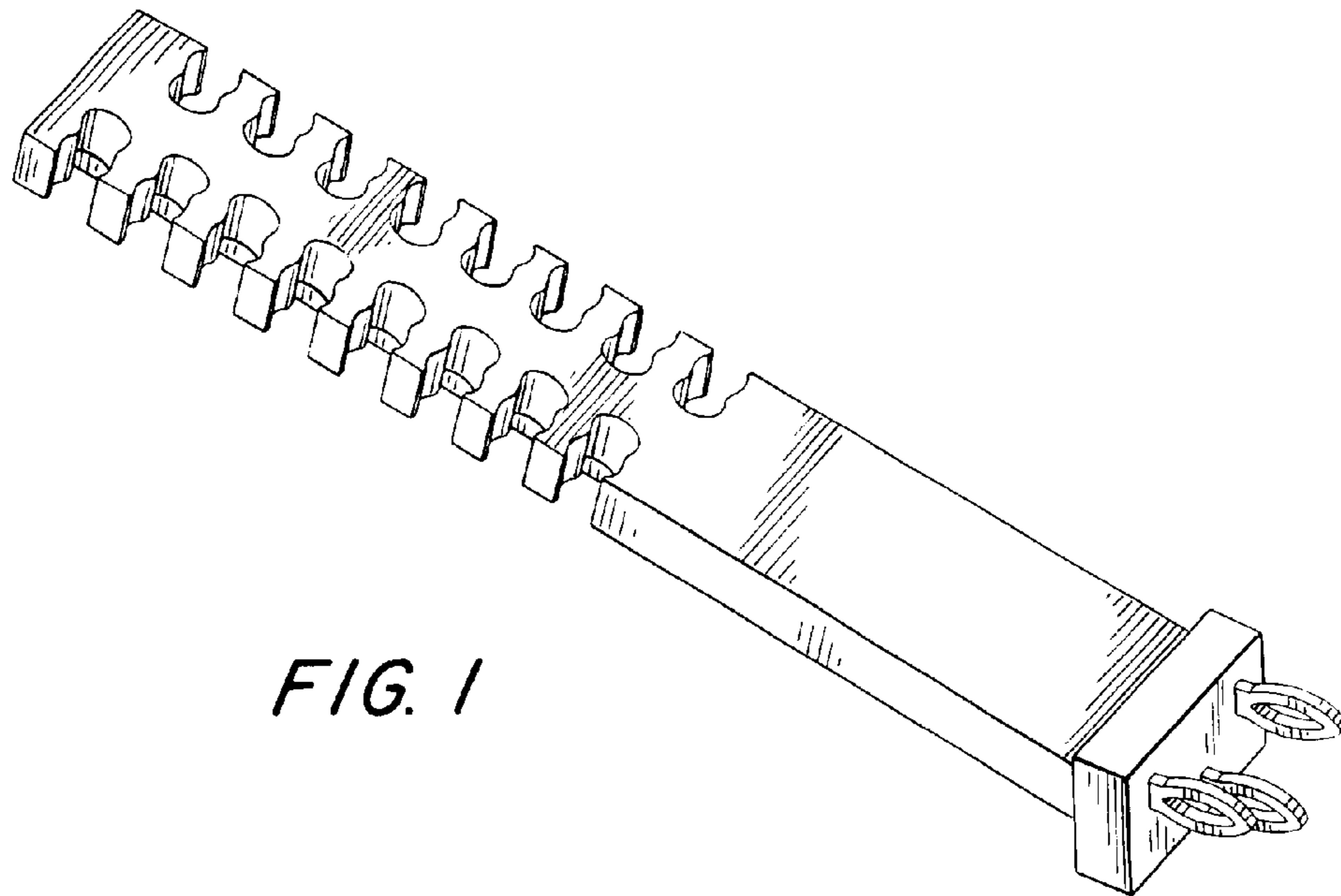


FIG. 1

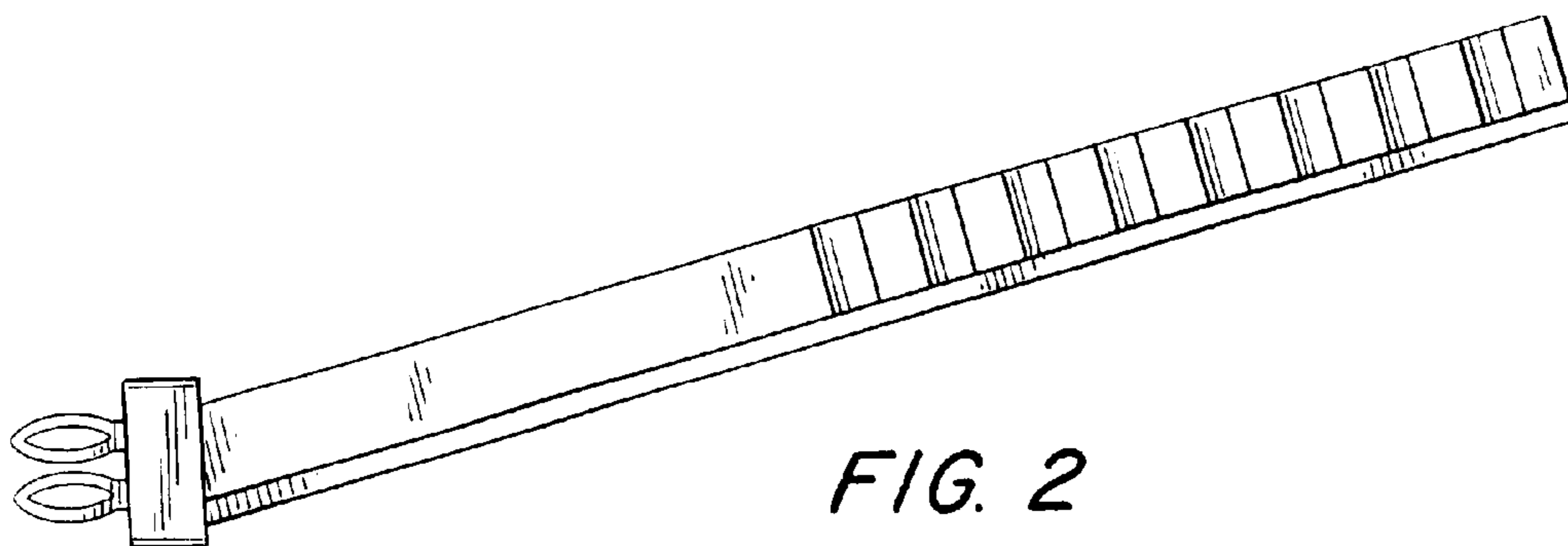


FIG. 2

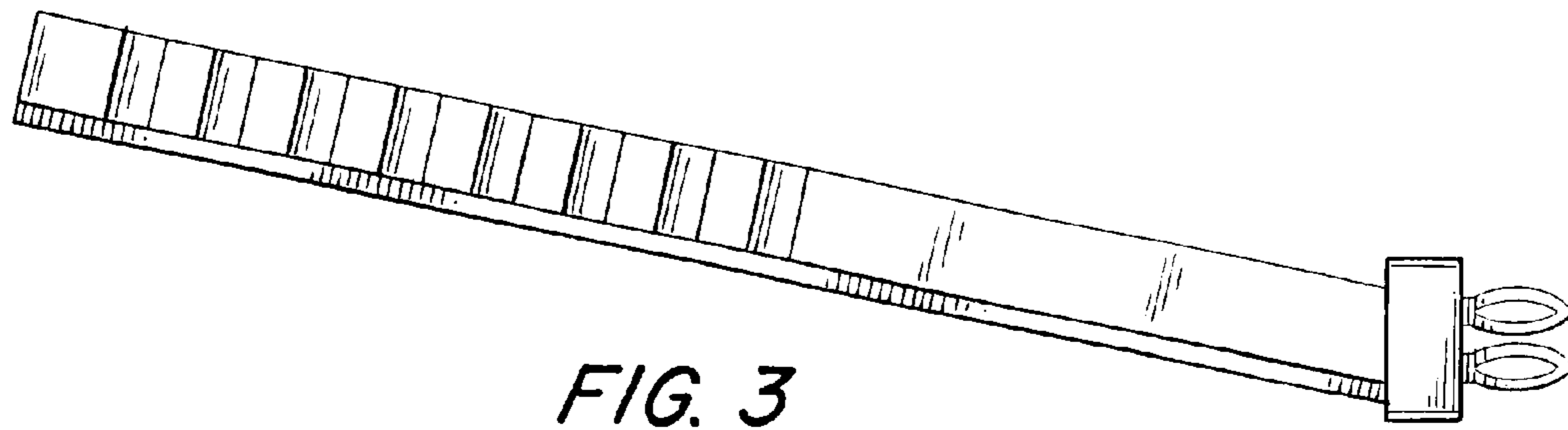


FIG. 3

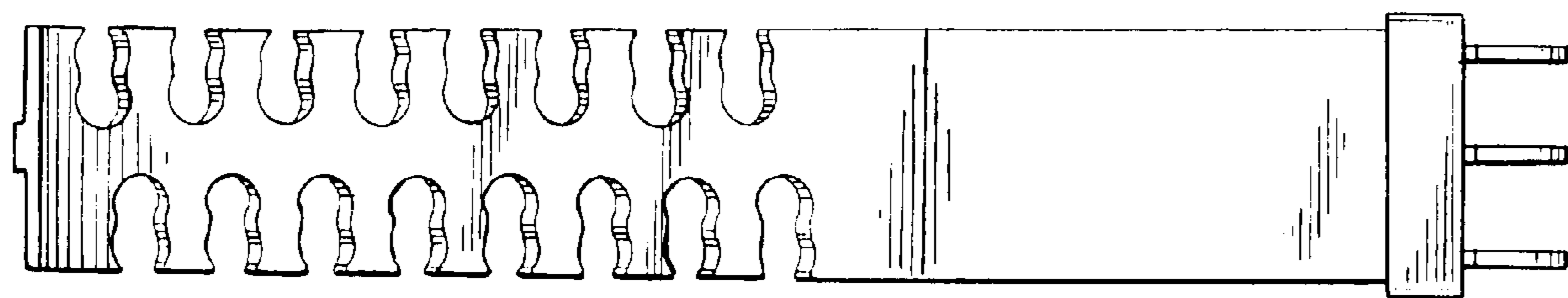


FIG. 4

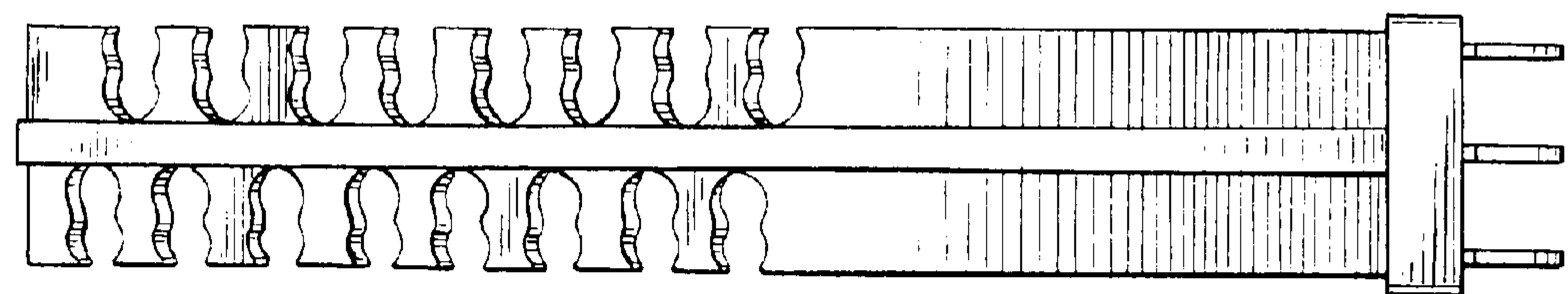


FIG. 5

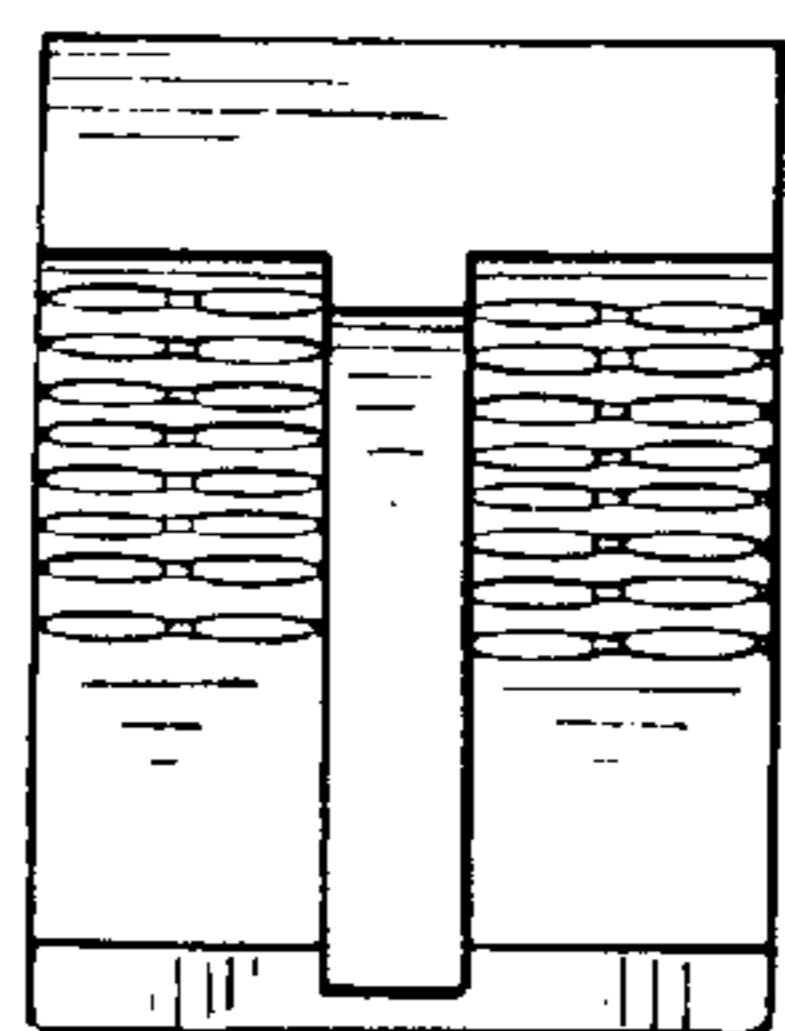


FIG. 6

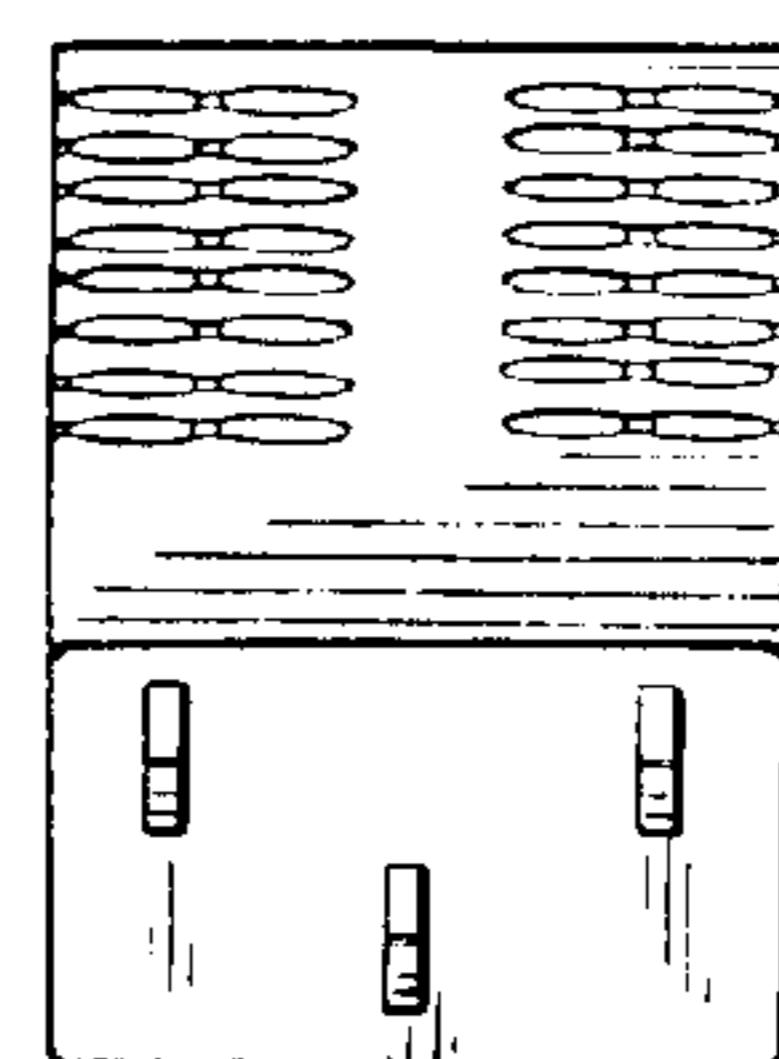


FIG. 7