



US00D520862S

(12) **United States Design Patent**
Munson et al.

(10) **Patent No.:** **US D520,862 S**

(45) **Date of Patent:** **** May 16, 2006**

(54) **PAPER HOLDER STRIP**

(75) Inventors: **Leslie C. Munson**, San Juan Capistrano, CA (US); **Steve A. Kumetz**, Los Angeles, CA (US); **James M. Gallien**, Hidden Hills, CA (US)

(73) Assignee: **Hangman Products, Inc.**, Woodland Hills, CA (US)

(**) Term: **14 Years**

(21) Appl. No.: **29/199,629**

(22) Filed: **Feb. 18, 2004**

(51) **LOC (8) Cl.** **08-05**

(52) **U.S. Cl.** **D8/354**

(58) **Field of Classification Search** D8/380,
D8/373; D25/119; D19/90; D20/43; 248/316.3;
211/89.01; 24/67.9

See application file for complete search history.

(56) **References Cited**

U.S. PATENT DOCUMENTS

1,944,304	A	1/1934	Scarnegie	
3,168,954	A	2/1965	Herrmann	
3,675,782	A	7/1972	Dudley	
4,105,127	A	* 8/1978	Holl	211/124
D308,547	S	* 6/1990	Kendes	D20/43
D320,521	S	* 10/1991	Baur	D6/553
5,251,766	A	* 10/1993	Barry	211/89.01

D355,788	S	* 2/1995	Irvin	D6/410
D377,505	S	* 1/1997	Thompson	D20/43
D424,120	S	* 5/2000	Wear	D20/43
6,453,518	B1	* 9/2002	Adams et al.	24/67.9

* cited by examiner

Primary Examiner—Holly H. Baynham

(74) *Attorney, Agent, or Firm*—Stetina Brunda Garred & Brucker

(57) **CLAIM**

The ornamental design for a paper holder strip, as shown and described.

DESCRIPTION

FIG. 1 is a front perspective view of the paper holder strip of the present invention showing our new design with the phantom lines depicting solely environmental structure and forming no part of the claimed design;

FIG. 2 is an end view thereof;

FIG. 3 is a top plan view thereof;

FIG. 4 is a front elevational view thereof;

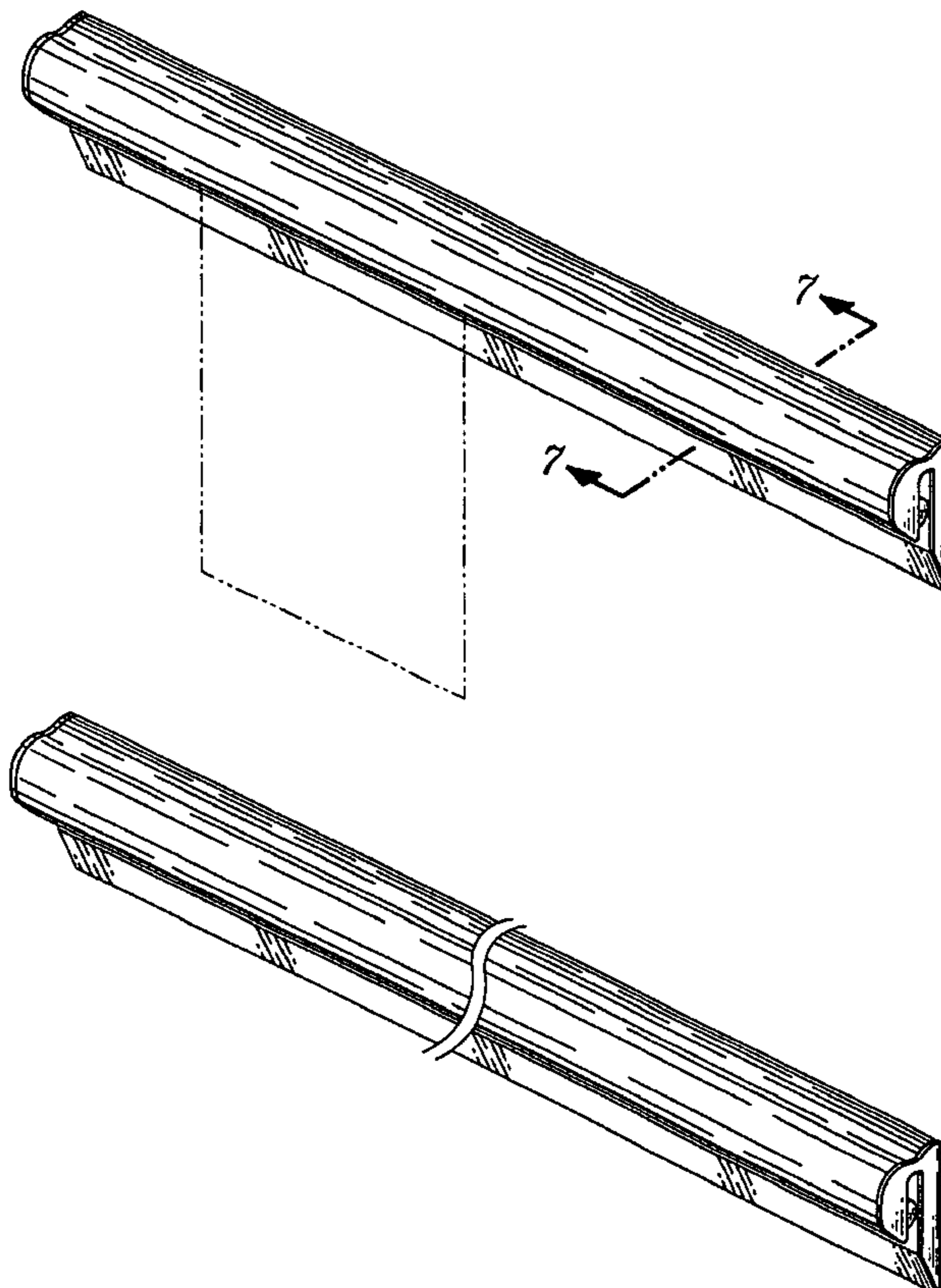
FIG. 5 is a bottom plan view thereof;

FIG. 6 is a rear elevational view thereof;

FIG. 7 is a cross-sectional view thereof taken about line 7—7 of FIG. 1; and,

FIG. 8 is a top perspective view illustrating that the paper holder strip of the present invention can be formed having differing lengths.

1 Claim, 2 Drawing Sheets



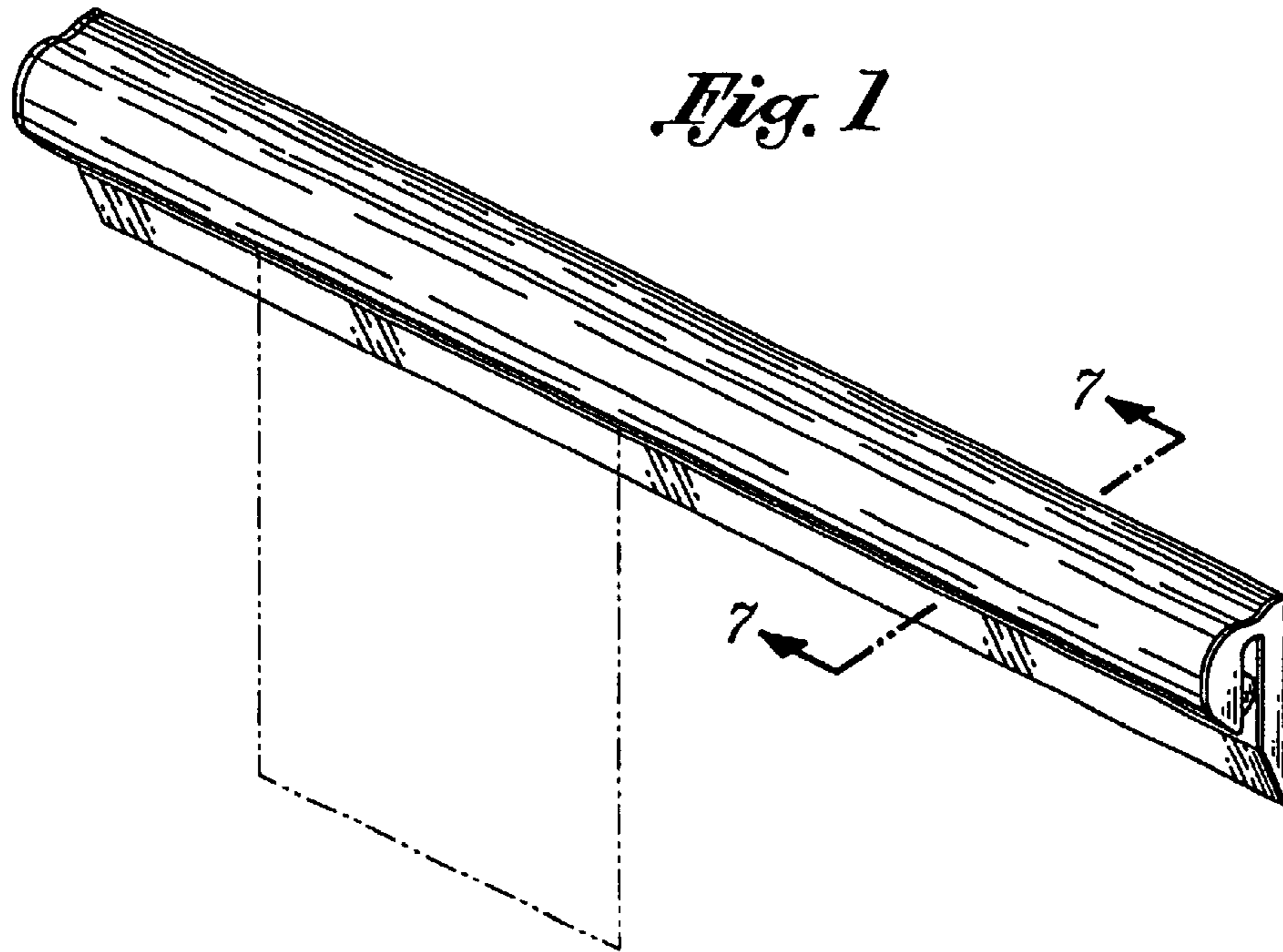


Fig. 2

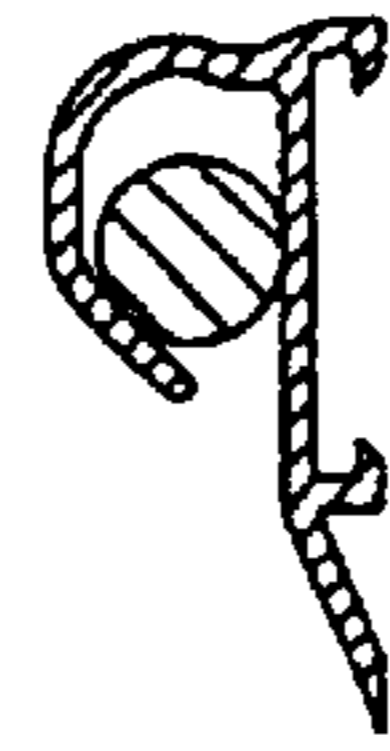
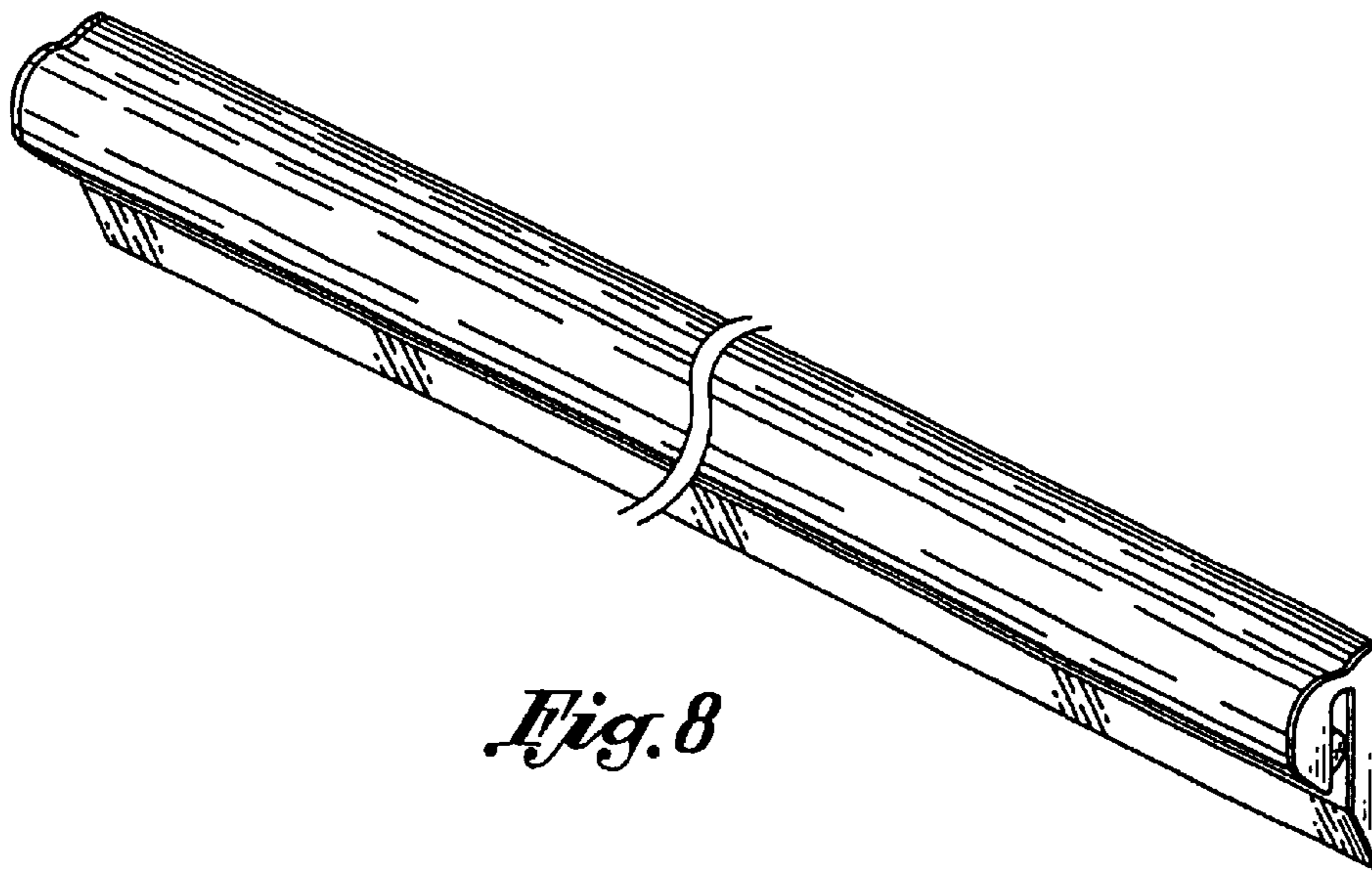


Fig. 7



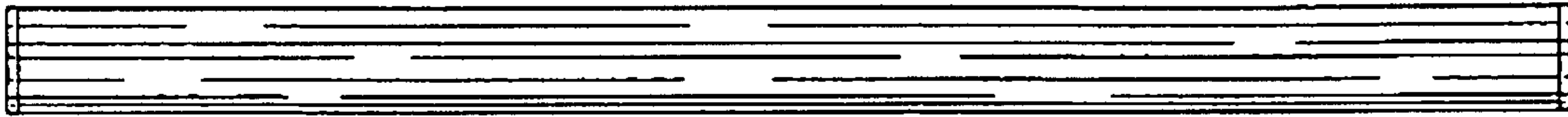


Fig. 3

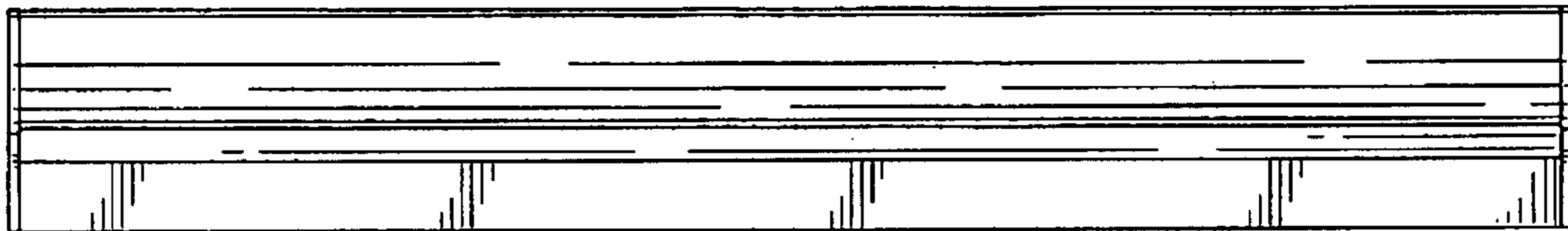


Fig. 4

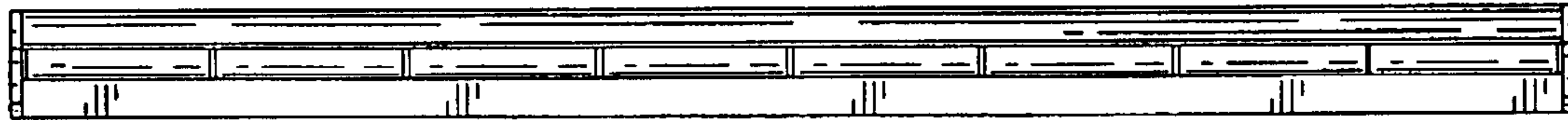


Fig. 5



Fig. 6