



US00D520860S

(12) **United States Design Patent**
Martin

(10) **Patent No.:** **US D520,860 S**

(45) **Date of Patent:** **** May 16, 2006**

(54) **SECURITY FACE PLATE FOR CABINET LOCKS**

EP 370893 A 5/1990
GB 1218041 1/1971
GB 2200680 A 8/1988

(75) Inventor: **Frank J. Martin**, Seattle, WA (US)

OTHER PUBLICATIONS

(73) Assignee: **Frank J. Martin Company**,
Lynnwood, WA (US)

Sutton, Lock No. 68-3713-1, Mar. 21, 1963, National Lock Co., Illinois.

(**) Term: **14 Years**

National Cabinet Lock, "New Stock Lock Items" 1988.

(21) Appl. No.: **29/199,014**

The National Locksmith, "The New Olympus™ Series Re-keyables from CCL", Jul. 1988.

(22) Filed: **Feb. 6, 2004**

National Cabinet Lock, "Pin Tumbler Door and Drawer Locks with 'The Advantage Plus'".

Related U.S. Application Data

National Lock Hardware "Instructions and Template Inside for Mortise Bolt Lock Set Series V474".

(62) Division of application No. 29/167,836, filed on Sep. 20, 2002, now Pat. No. Des. 490,686.

Corbin Cabine Lock; "The Right Hardware".

(51) **LOC (8) Cl.** **08-07**

National Lock Hardware, "Instructions for Keying National Lock Door Hardware"; 1980.

(52) **U.S. Cl.** **D8/343**

CCL Security Products catalog "Padlocks and Cabinet Hardware"; 1989.

(58) **Field of Classification Search** D8/330,
D8/331, 343, 344, 346, 349, 400, 404, 301,
D8/302; 70/14, 51, 54, 450, 81, 158, 431,
70/466; 292/289, 340, 341.14

National Lock; "Cabinet Locks" catalog.

See application file for complete search history.

National Cabinet Lock; catalog supplement "New Stock Locks Items".

(56) **References Cited**

Chicago; catalog pages.

U.S. PATENT DOCUMENTS

Kenstan Lock & Hardware Company, Inc.; "A Complete Line of Showcase and Cabinet Locks" catalog; p. 10.

587,564 A	8/1897	Voight
1,414,348 A	5/1922	Falk
1,500,297 A	7/1924	Best
1,699,757 A	1/1929	Segal
1,759,374 A	5/1930	Schlage
1,835,725 A	12/1931	Thompson et al.
1,913,963 A	6/1933	Shinn
1,914,639 A	6/1933	Hurd

Olympus Lock; "Product Catalog" Apr. 1992.

Primary Examiner—Prabhakar Deshmukh

(74) *Attorney, Agent, or Firm*—Black Lowe & Graham PLLC

(Continued)

FOREIGN PATENT DOCUMENTS

DE	330328	12/1920
DE	814411	9/1951
DE	3406554 A	8/1985
DE	274464 A	12/1989
DK	67305	7/1948

(57) **CLAIM**

The ornamental design for a security face plate for cabinet locks, as shown and described.

DESCRIPTION

FIG. 1 is a top right perspective view of a security face plate for cabinet locks showing my new design.

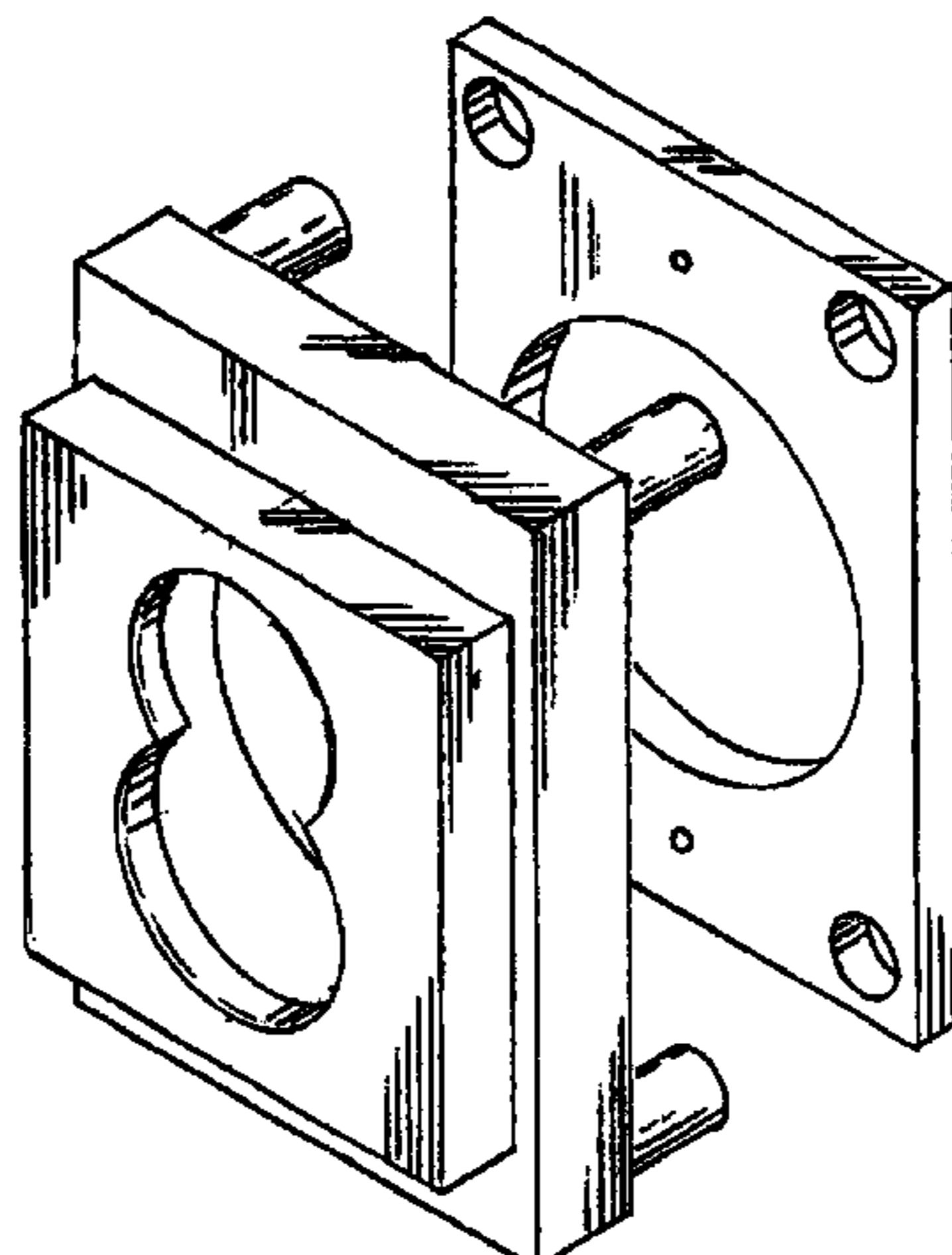
FIG. 2 is a front elevational view thereof.

FIG. 3 is a right side elevational view thereof.

FIG. 4 is a rear elevational view thereof; and,

FIG. 5 is a top plan view thereof.

1 Claim, 2 Drawing Sheets



US D520,860 S

Page 2

U.S. PATENT DOCUMENTS			
1,983,446 A	12/1934	Falk	70/74
1,990,934 A	2/1935	Falk	70/46
2,014,233 A	9/1935	Keil	70/47
2,039,244 A	4/1936	Lowe	70/46
2,049,742 A	8/1936	Lowe	70/46
2,058,895 A	10/1936	Lowe	70/46
2,182,307 A	12/1939	Behnke	70/80
2,268,511 A	12/1941	Ledin	70/371
2,306,022 A	12/1942	Lach	70/81
2,307,106 A	1/1943	Brush	70/447
2,308,322 A	1/1943	Voight	70/374
2,381,136 A	8/1945	Oxhandler	70/374
2,480,026 A	8/1949	Jacobi	70/368
2,655,030 A	10/1953	Schlage	70/450
2,720,103 A	10/1955	Golden et al.	70/86
2,739,473 A	3/1956	Quillen	70/383
2,804,765 A	9/1957	Biblin	70/362
2,922,298 A	1/1960	Wiener	70/367
3,036,850 A	5/1962	Schmid	292/244
3,089,329 A	5/1963	Kerr	70/135
3,141,319 A	7/1964	Schlage	70/81
3,263,461 A	8/1966	Tartaglia	70/383
3,276,232 A	10/1966	Bourgeois	70/370
3,290,910 A	12/1966	Laviana	70/383
3,429,154 A	2/1969	Schwartz	70/375
3,434,316 A	3/1969	Neary	70/371
3,449,934 A	6/1969	Check	70/451
3,589,152 A	6/1971	Glass	70/81
		3,733,865 A	5/1973 Vorob
		3,774,423 A	11/1973 Orr
		3,793,857 A	2/1974 Schlage
		3,824,817 A	7/1974 Orr
		3,863,476 A	2/1975 Patriquin
		3,881,331 A	5/1975 Tranberg et al.
		4,065,162 A	12/1977 Schlage
		4,099,397 A	7/1978 Dauenbaugh
		4,228,668 A	10/1980 Scherbing
		4,338,806 A	7/1982 Cox
		4,471,638 A	9/1984 Scheerhorn
		4,548,061 A	10/1985 Nilsson
		4,630,457 A	12/1986 Kincaid et al.
		4,633,689 A	1/1987 Wolniak et al.
		4,633,690 A	1/1987 Foshée
		4,899,563 A	2/1990 Martin
		4,920,774 A	5/1990 Martin
		5,121,619 A	6/1992 Martin
		D339,280 S	9/1993 Bray et al.
		5,265,453 A	11/1993 Konii et al.
		D346,320 S *	4/1994 Fitzpatrick
		D373,298 S	9/1996 Mieke et al.
		5,657,652 A	8/1997 Martin
		5,658,026 A *	8/1997 Nigro et al.
		6,058,746 A *	5/2000 Mirshafiee et al.
		D433,920 S	11/2000 Chang
		D461,700 S	8/2002 Meredith
		D504,303 S *	4/2005 Zambon et al.

* cited by examiner

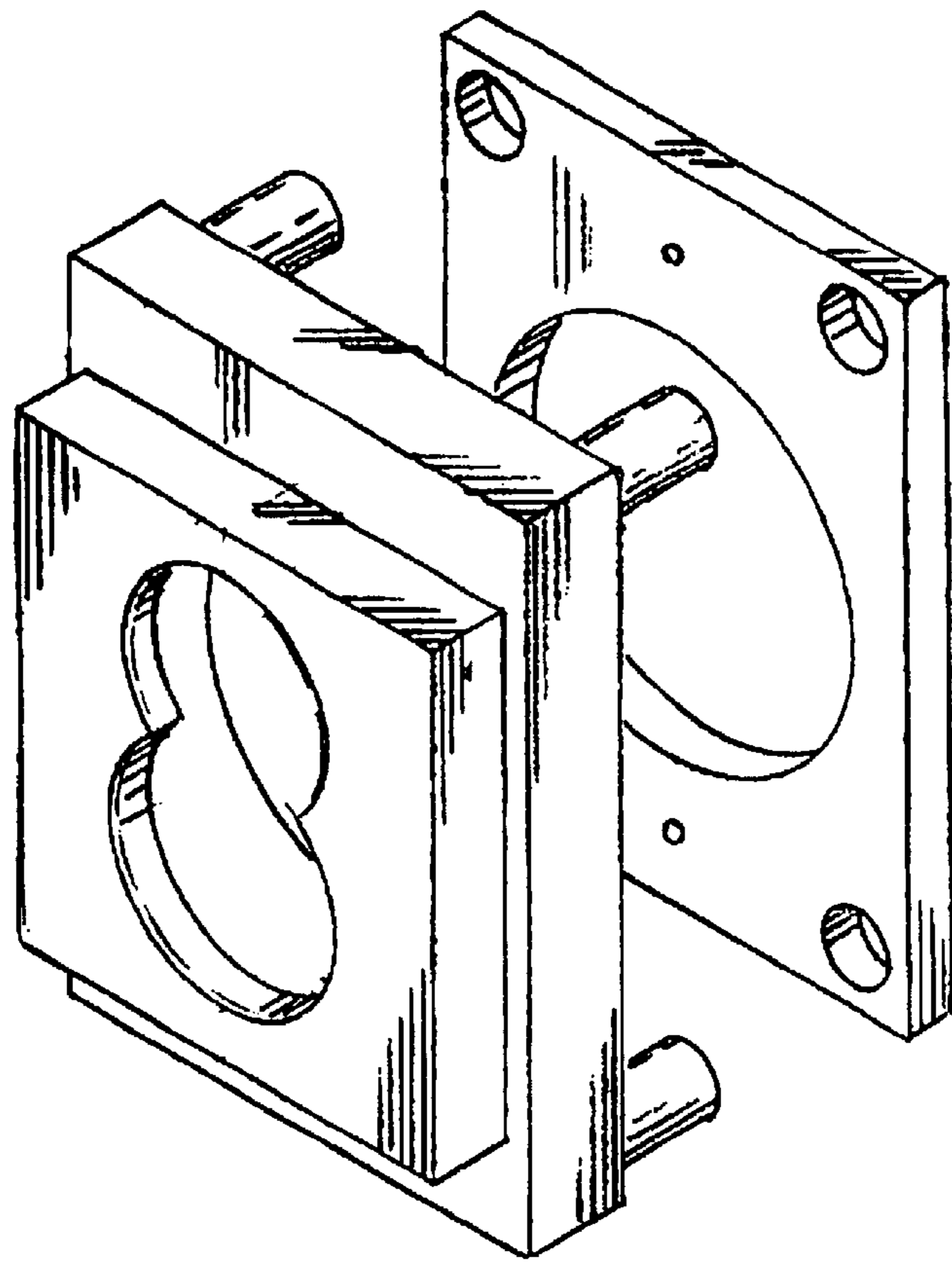


FIG. 1

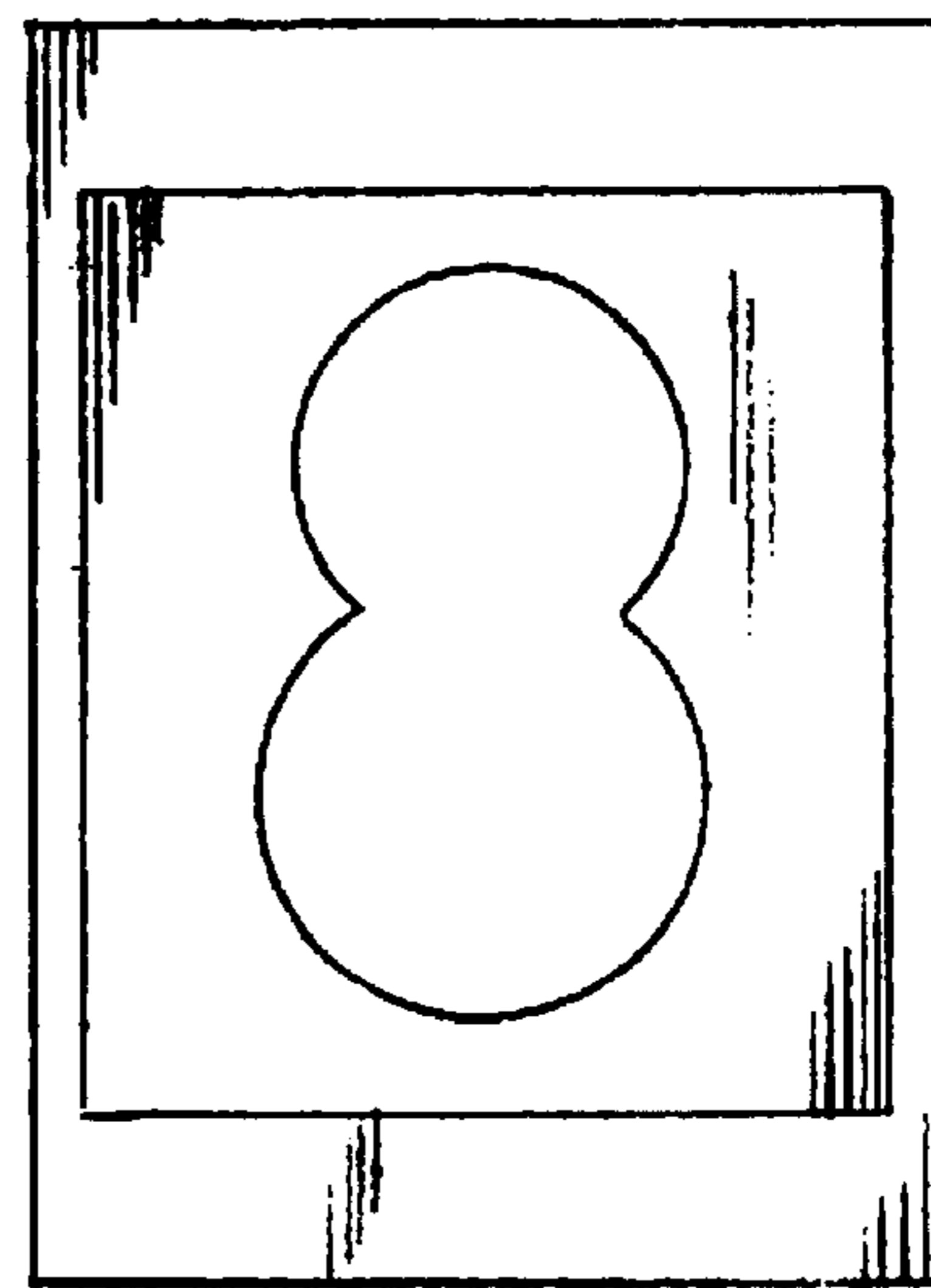


FIG. 2

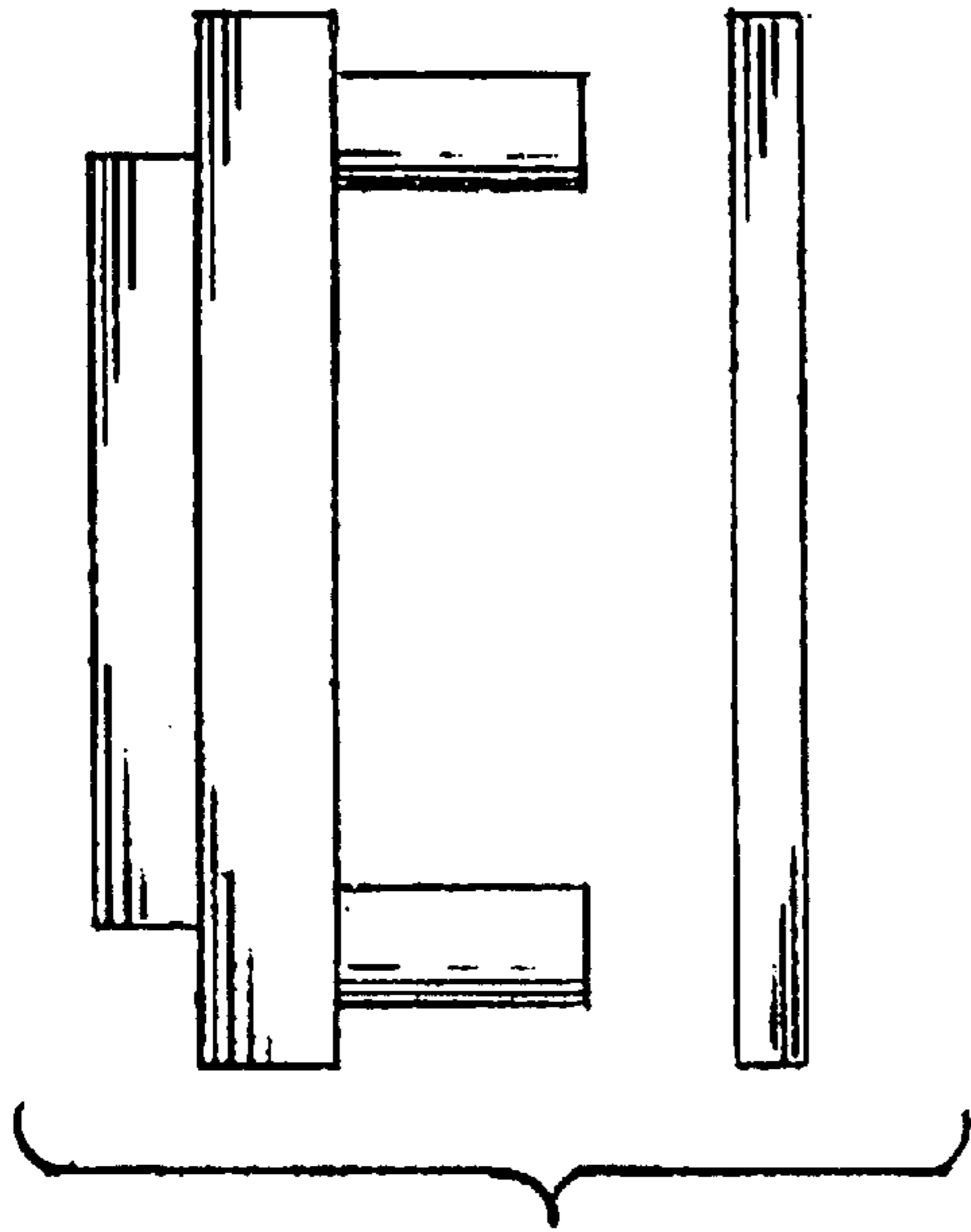


FIG. 3

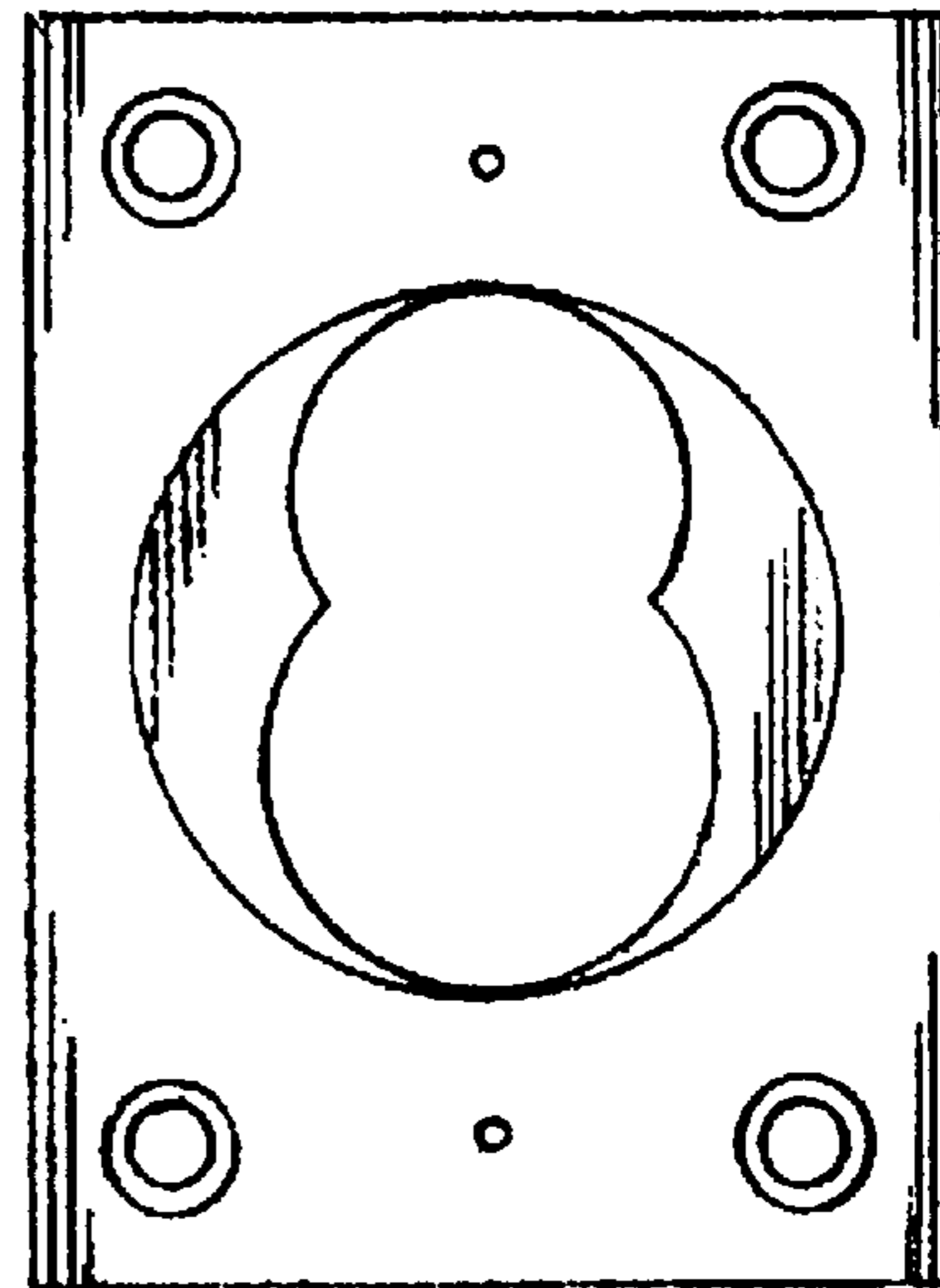


FIG. 4

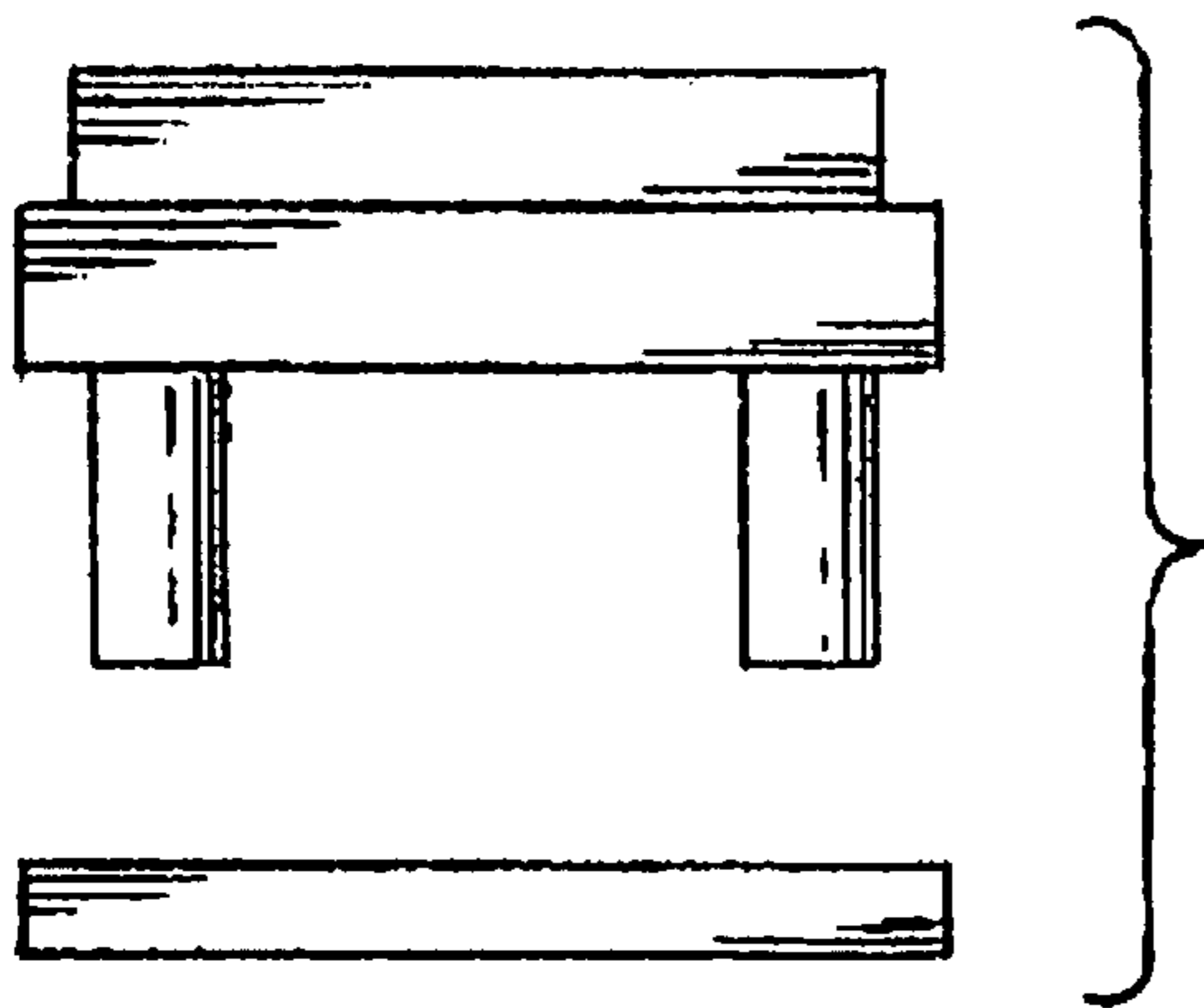


FIG. 5