



US00D520859S

(12) **United States Design Patent**
Osiecki et al.

(10) **Patent No.:** **US D520,859 S**

(45) **Date of Patent:** **** May 16, 2006**

(54) **KNOB FOR A COMBINATION LOCK**

(75) Inventors: **Scott W. Osiecki**, Skaneateles, NY
(US); **Donwoong Kang**, Syracuse, NY
(US)

(73) Assignee: **John D. Brush & Co., Inc.**, Rochester,
NY (US)

(**) Term: **14 Years**

(21) Appl. No.: **29/213,506**

(22) Filed: **Sep. 17, 2004**

(51) **LOC (8) Cl.** **08-06**

(52) **U.S. Cl.** **D8/321; D8/312; D8/397**

(58) **Field of Classification Search** D8/300,
D8/301, 307-309, 310-312, 321, 331, 322,
D8/350, 352, 399, DIG. 2, 397; D10/49-50,
D10/60; D13/174; D21/694, 663; D23/250,
D23/254; 16/110.1, 309, 319, 412, 414-420,
16/441, 443-446; 297/344.21

See application file for complete search history.

(56) **References Cited**

U.S. PATENT DOCUMENTS

D43,713 S * 3/1913 Campbell D8/397
D176,508 S * 1/1956 Enos D8/311
D217,540 S * 5/1970 Weise D8/397

D231,316 S * 4/1974 Bienkowski D8/312
D281,953 S * 12/1985 Newman D8/397
D324,411 S * 3/1992 Jolibois D23/250
D324,986 S * 3/1992 Fratantonio et al. D8/312
D344,679 S * 3/1994 Odom et al. D10/60
D389,394 S * 1/1998 Taylor D8/312
D416,060 S * 11/1999 Angeles D21/694
6,352,308 B1 * 3/2002 Chen 297/344.21
D472,947 S * 4/2003 Wu D21/694

* cited by examiner

Primary Examiner—Paula A. Greene

(74) *Attorney, Agent, or Firm*—Jaeckle Fleischmann &
Mugel, LLP

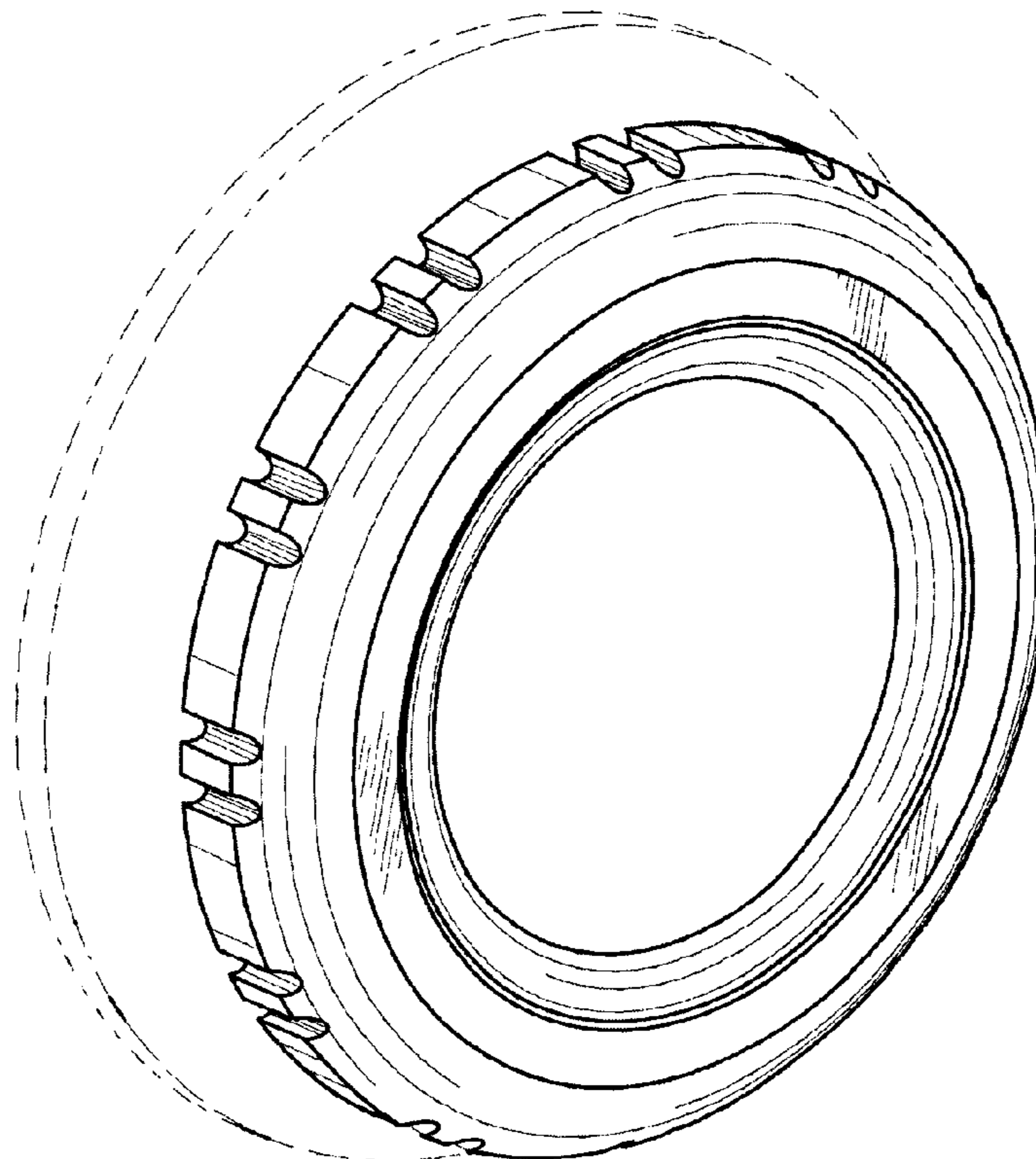
(57) **CLAIM**

The ornamental design for a knob for a combination lock, as
shown and described.

DESCRIPTION

FIG. 1 is a left front perspective view of our new knob for
a combination lock according to the present invention;
FIG. 2 is a front view of the knob shown in FIG. 1;
FIG. 3 is a top view of the knob shown in FIG. 1; and,
FIG. 4 is a left side view of the knob shown in FIG. 1.
The broken lines showing a dial in FIGS. 1-4 are for
illustrative purposes and form no part of the claimed design.

1 Claim, 4 Drawing Sheets



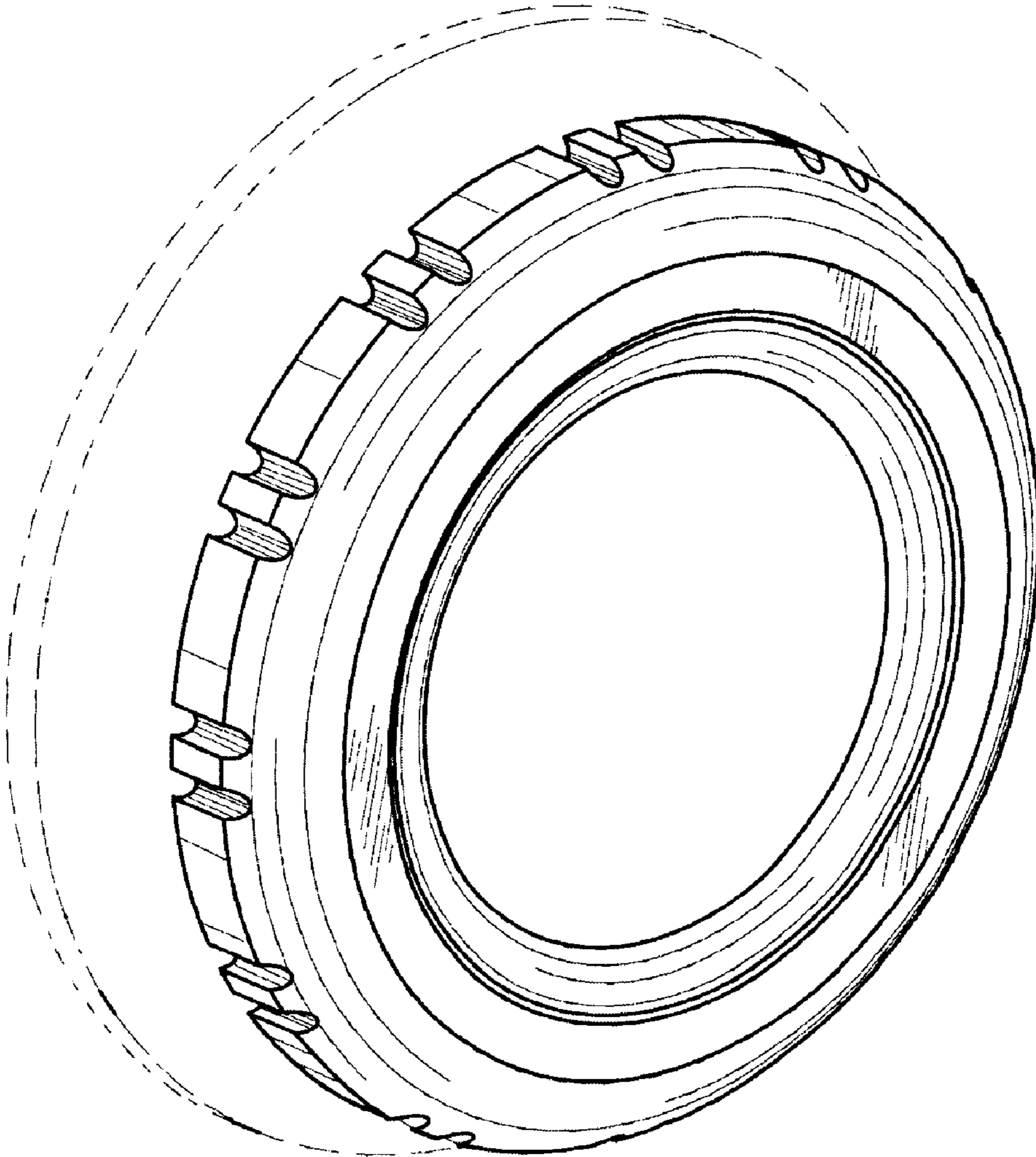


FIG. 1

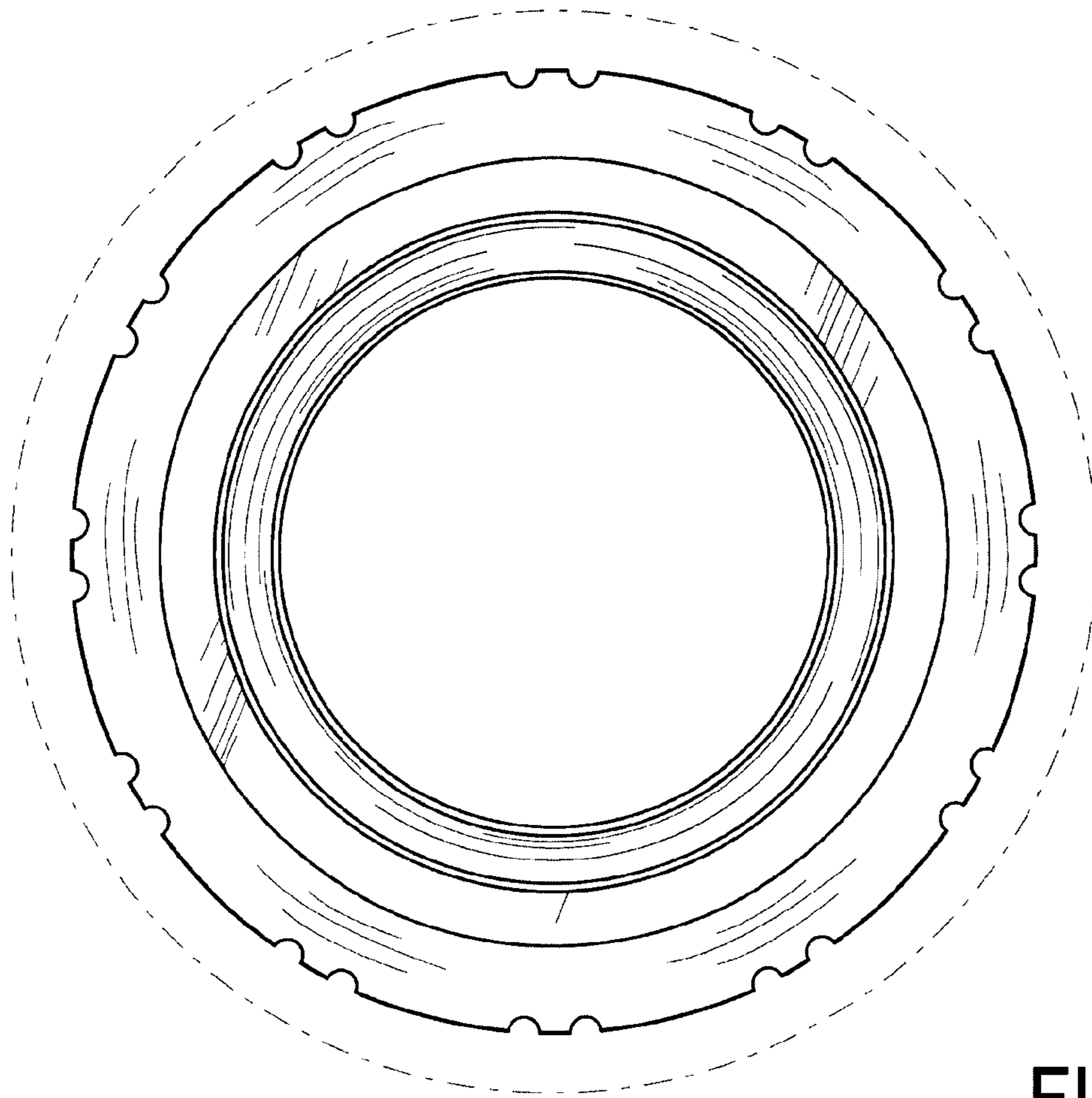


FIG. 2

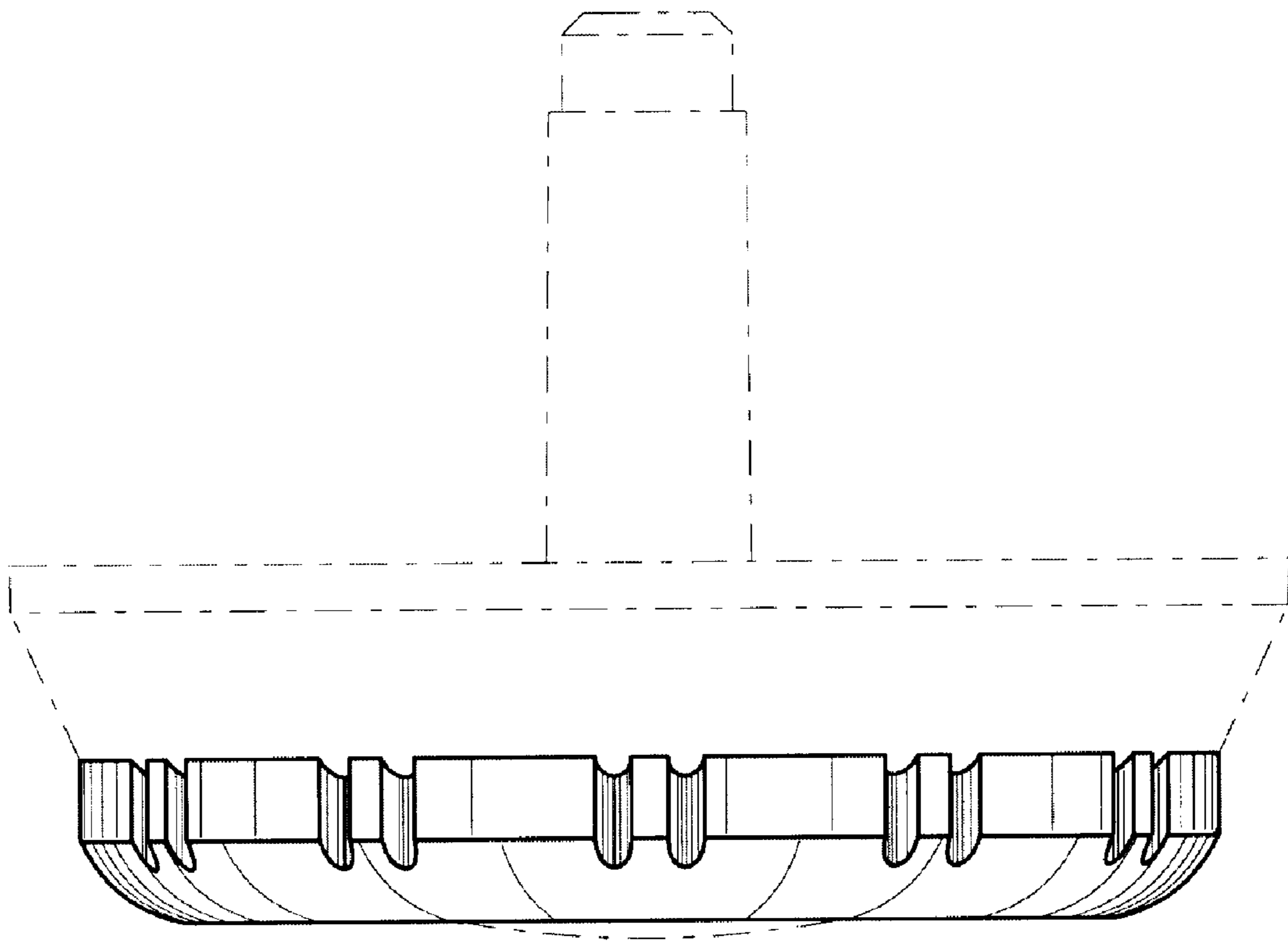


FIG. 3

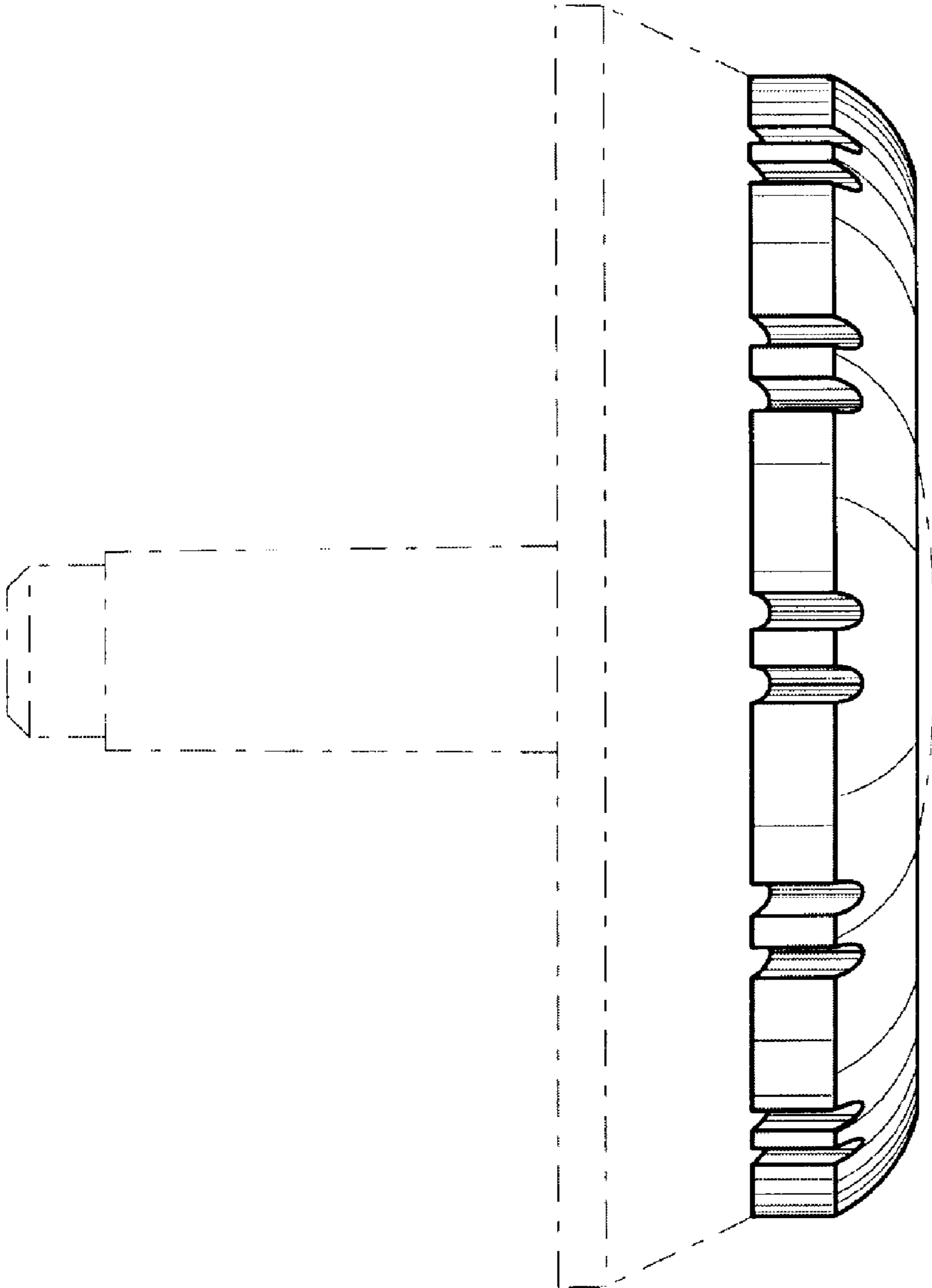


FIG. 4