



US00D520858S

(12) **United States Design Patent**
Miller

(10) **Patent No.:** **US D520,858 S**

(45) **Date of Patent:** **** May 16, 2006**

(54) **DECORATIVE HANDLE**

(75) Inventor: **Craig Miller**, Leawood, KS (US)

(73) Assignee: **The Group Legacy, LC**, Kansas City, MO (US)

(**) Term: **14 Years**

(21) Appl. No.: **29/223,505**

(22) Filed: **Feb. 15, 2005**

(51) **LOC (8) Cl.** **08-06**

(52) **U.S. Cl.** **D8/315**

(58) **Field of Classification Search** D8/300,
D8/303, 311, 315, 316, 317, 318, 319, 320;
D6/546, 545, 549; D23/250, 252, 254; 211/105.1,
211/123; 248/201, 206.3, 251
See application file for complete search history.

(56) **References Cited**

U.S. PATENT DOCUMENTS

D37,935 S	4/1906	Schehr	
D60,037 S	12/1921	Kahns	
2,542,941 A	* 2/1951	Post	248/205.1
2,590,410 A	* 3/1952	Hurley	248/206.3
D179,001 S	10/1956	Heyer	
3,009,580 A	* 11/1961	Marr	211/105.1
D222,778 S	* 12/1971	Clayton	D6/549
D230,678 S	3/1974	Zagaroli	
D246,950 S	* 1/1978	Palm, Jr.	D8/316
D268,321 S	3/1983	Tegner	
D274,035 S	5/1984	Pawlow	
D274,123 S	6/1984	Tegner	
D297,505 S	* 9/1988	Mosch	D8/317
D299,110 S	12/1988	Jans	
D316,805 S	* 5/1991	Paulson et al.	D8/319
D319,772 S	* 9/1991	Mosch	D8/319
D337,507 S	7/1993	Jans	
D343,108 S	* 1/1994	Fulton	D8/315
D361,495 S	* 8/1995	Warshawsky	D8/316
5,875,903 A	* 3/1999	Chen	211/105.1
D417,995 S	12/1999	Chen	

D448,272 S	9/2001	Miller	
D451,363 S	12/2001	Miller	
D473,741 S	* 4/2003	Gilbert	D6/545

OTHER PUBLICATIONS

Brass Furniture Fittings Brochure; p. 5; pull model P5.
Dexter Lock Catalog 986L; p. 50; lever Old Colony Style 82.

* cited by examiner

Primary Examiner—Paula A. Greene

(74) Attorney, Agent, or Firm—Hovey Williams LLP

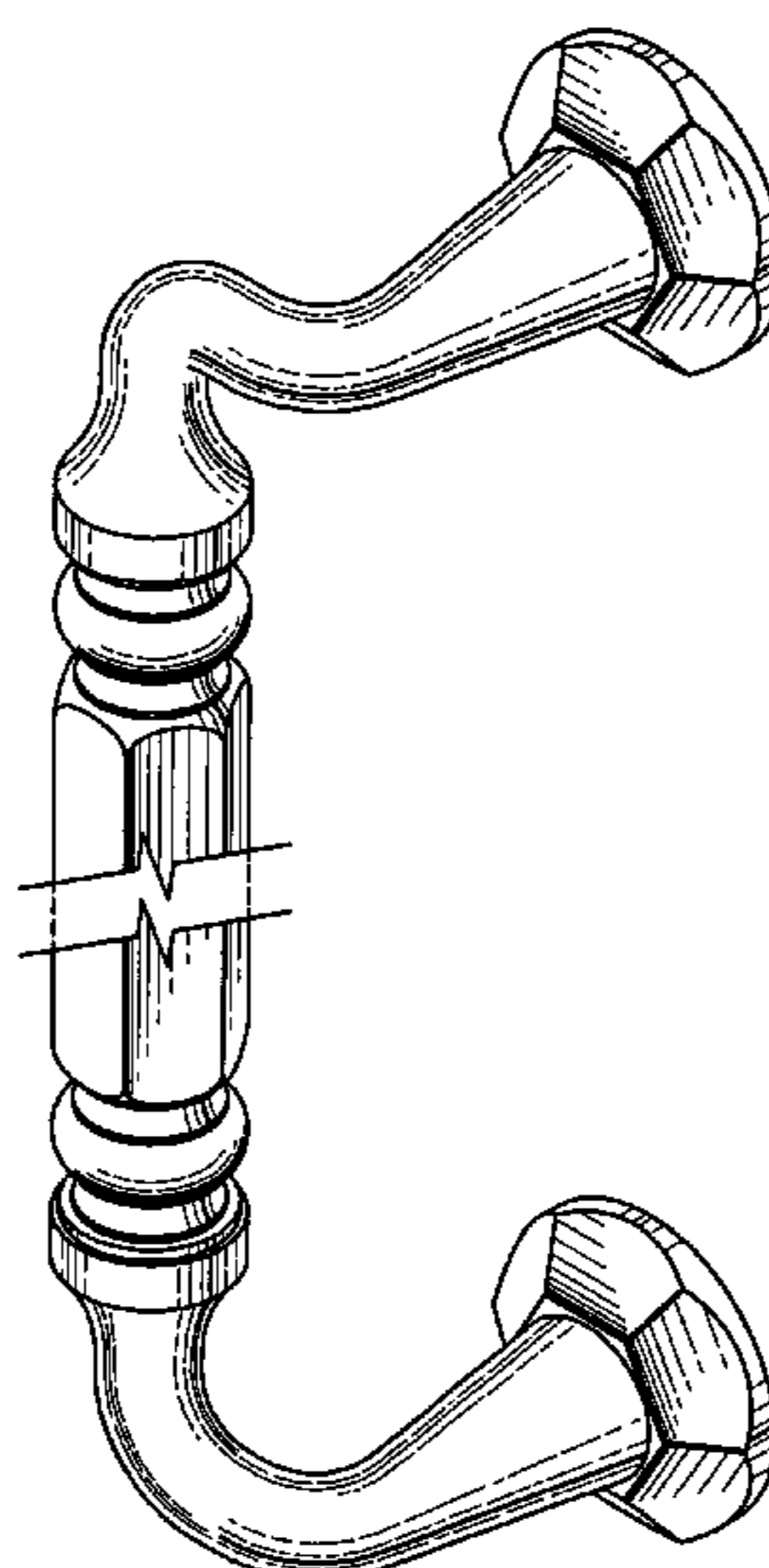
(57) **CLAIM**

The ornamental design for a decorative handle, as shown and described.

DESCRIPTION

FIG. 1 is a perspective view of a decorative handle showing my new design, the decorative handle is drawn broken away to indicate indeterminate length;
FIG. 2 is a front elevational view thereof;
FIG. 3 is a left side elevational view thereof;
FIG. 4 is a right side elevational view thereof;
FIG. 5 is a rear view thereof;
FIG. 6 is a top plan view thereof;
FIG. 7 is a bottom plan view thereof, the broken lines being for illustrative purposes only and forming no part of the claimed design or a specific embodiment thereof;
FIG. 8 is a perspective view of a second embodiment of a decorative handle showing my new design, the decorative handle is drawn broken away to indicate indeterminate length;
FIG. 9 is a front elevational view thereof;
FIG. 10 is a top plan view thereof, the bottom plan view being a mirror image;
FIG. 11 is a rear view thereof; and,
FIG. 12 is a left end view thereof, the right end view being a mirror image.

1 Claim, 4 Drawing Sheets



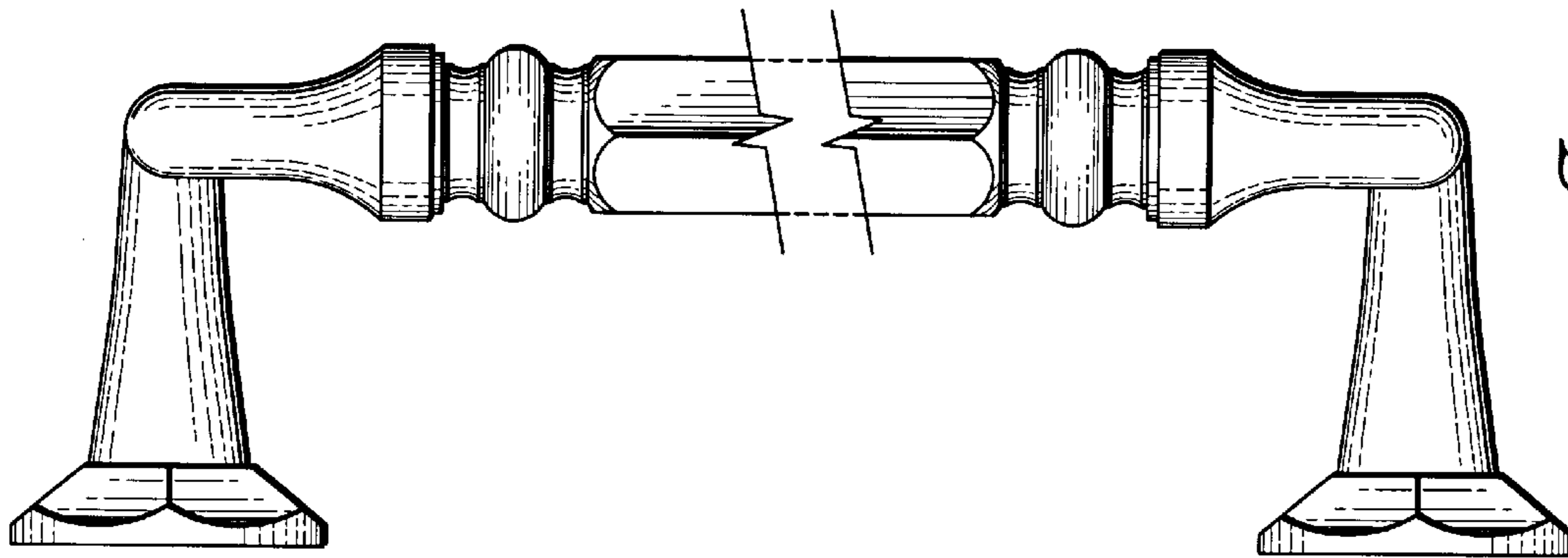


Fig. 3.

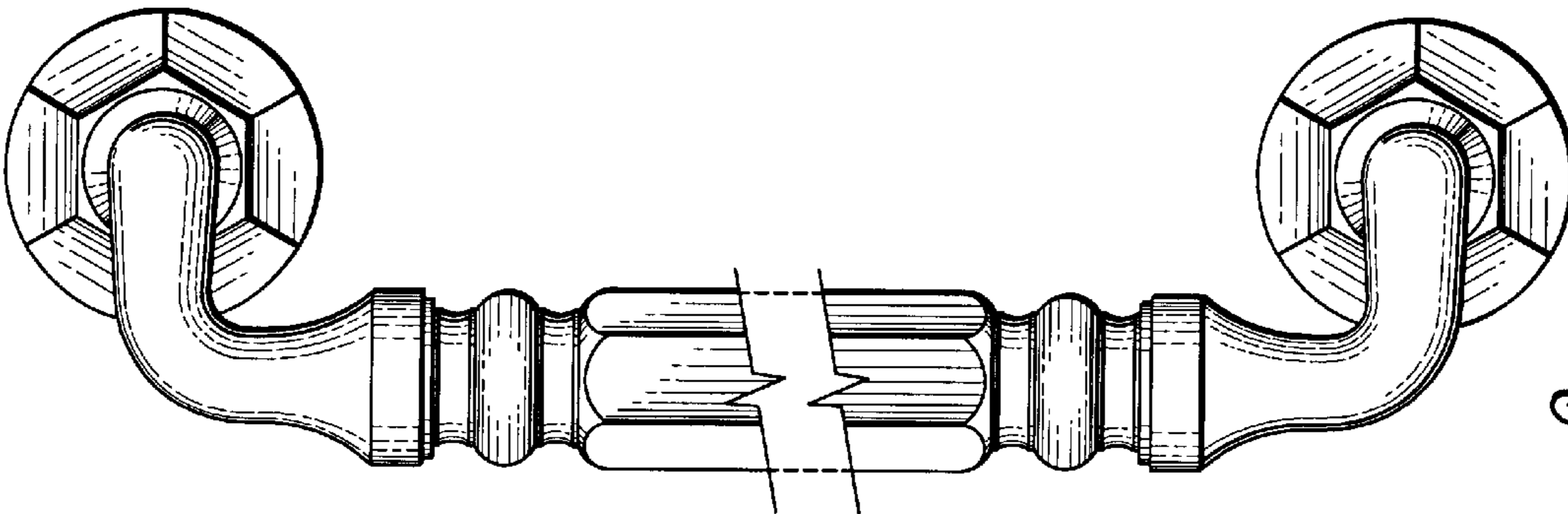


Fig. 2.

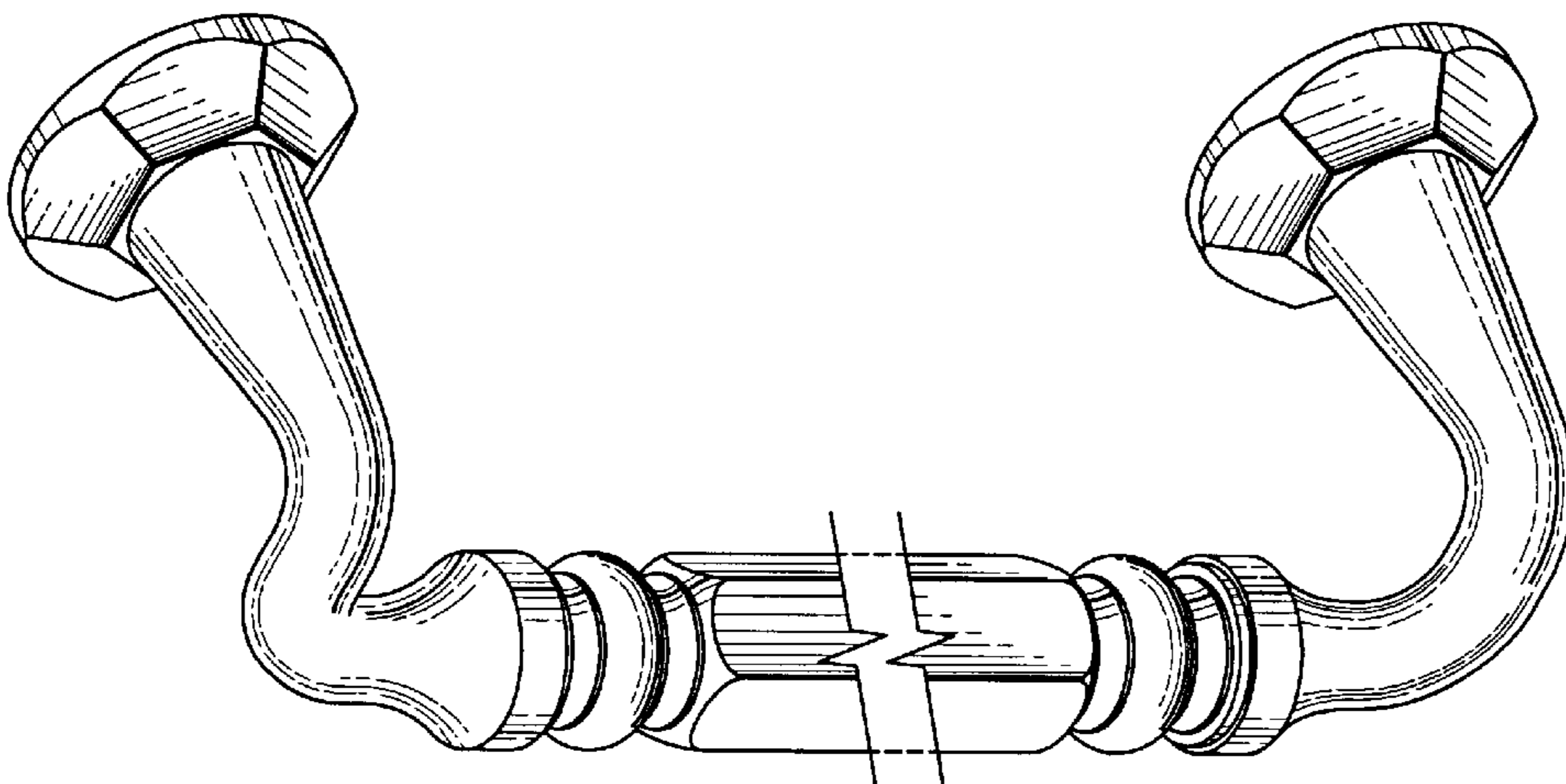


Fig. 1.

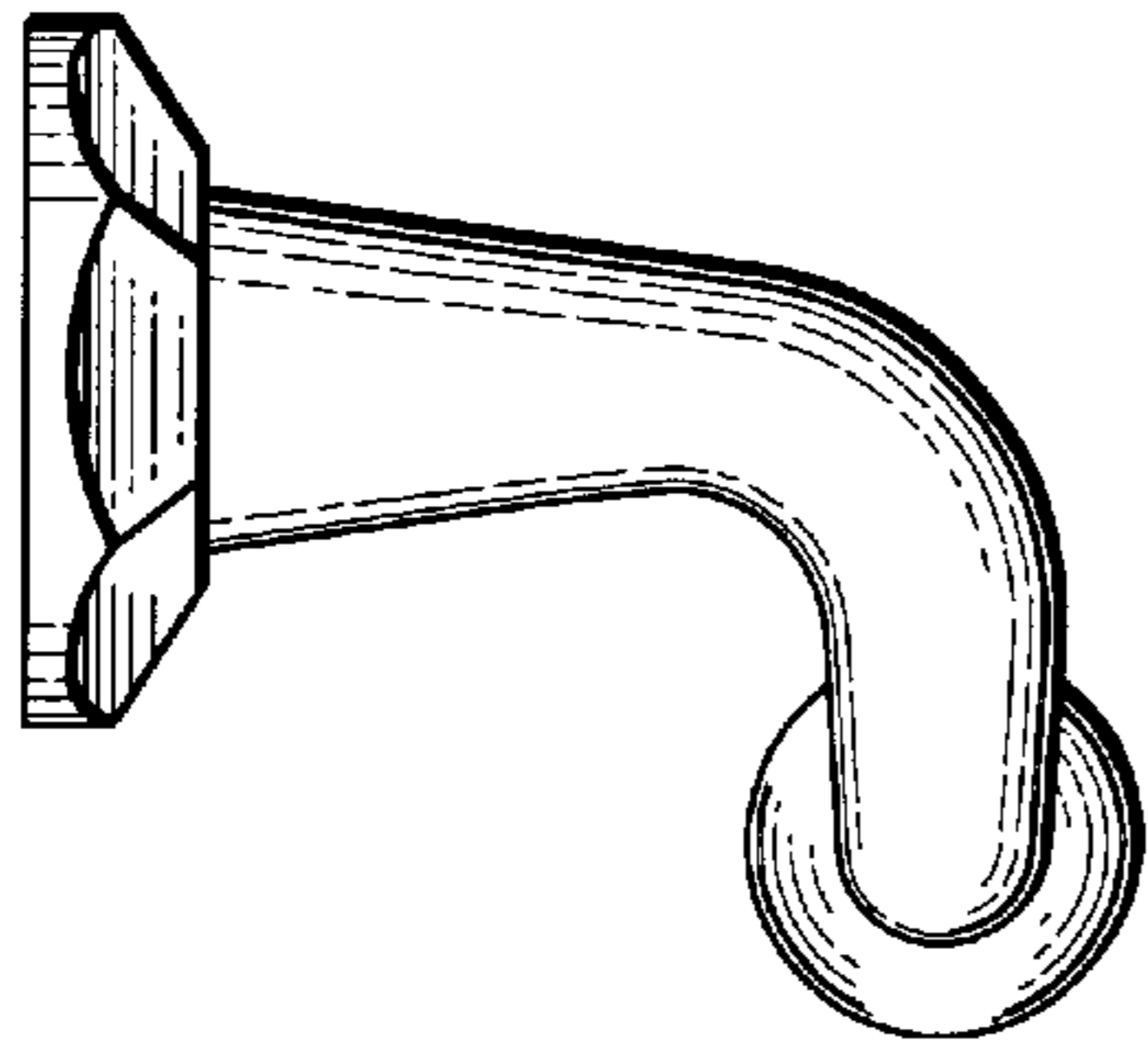


Fig. 6.

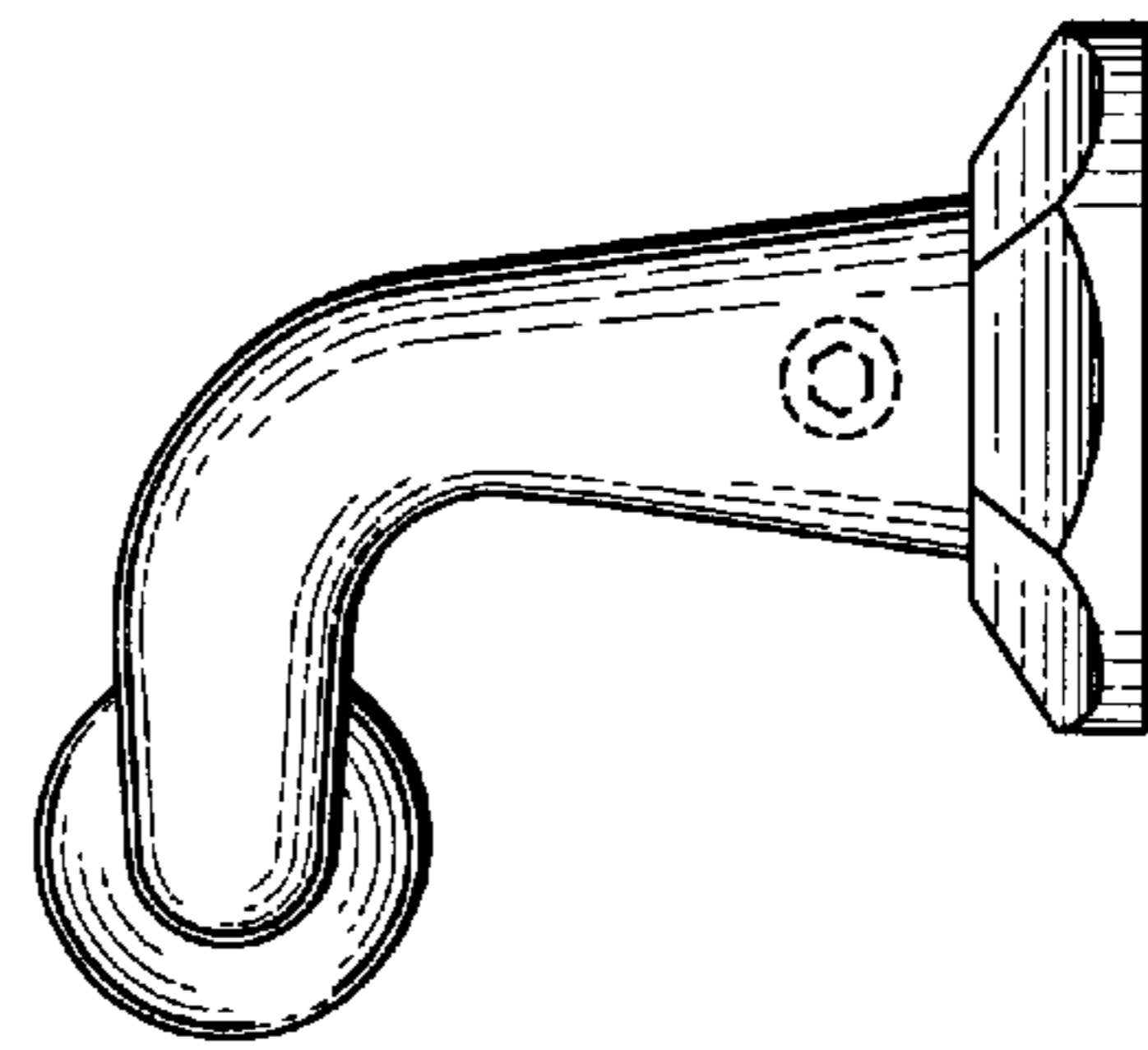


Fig. 7.

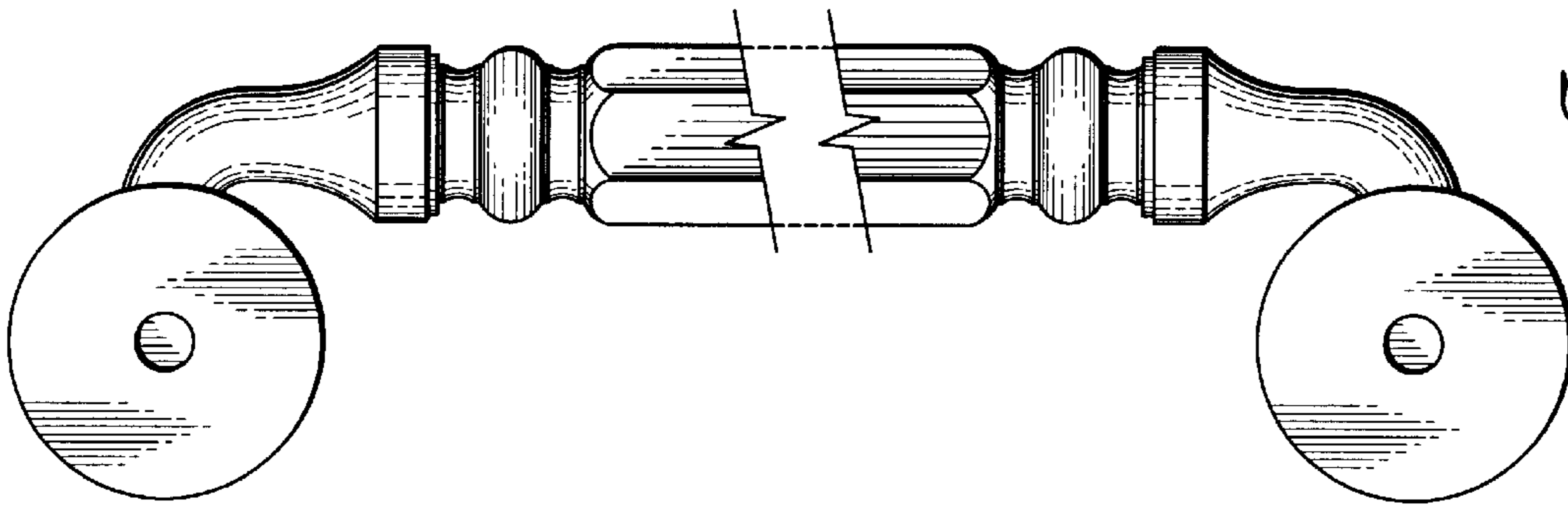


Fig. 5.

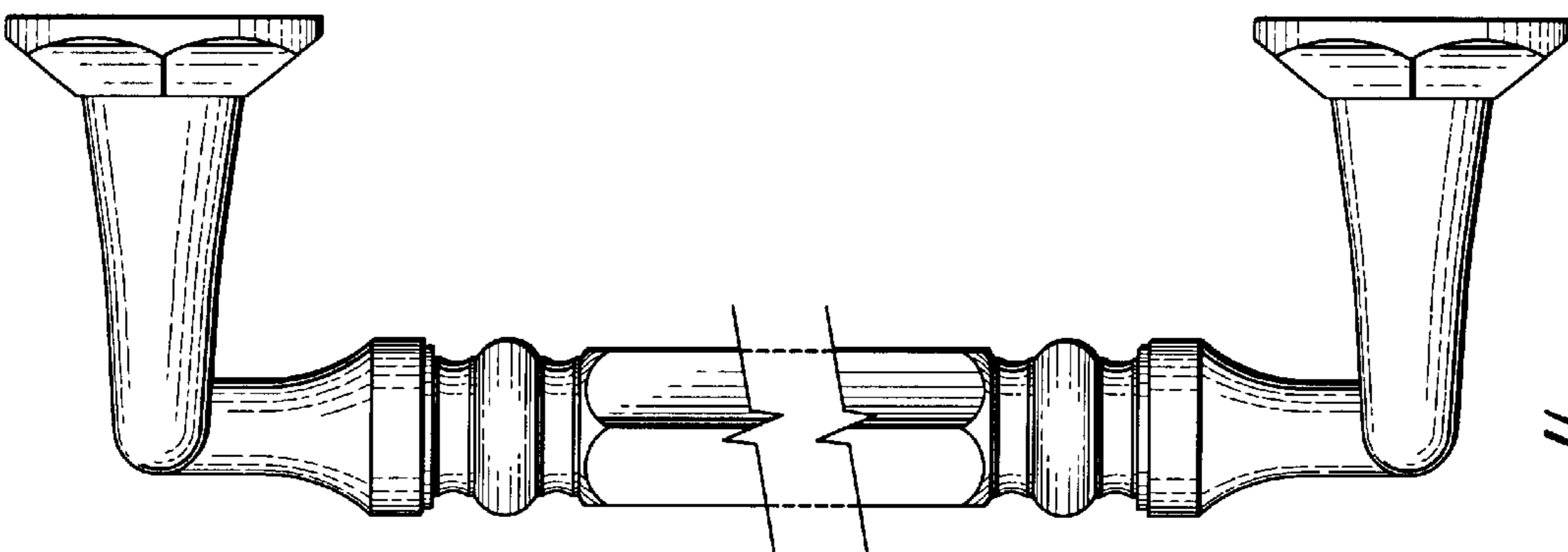


Fig. 4.

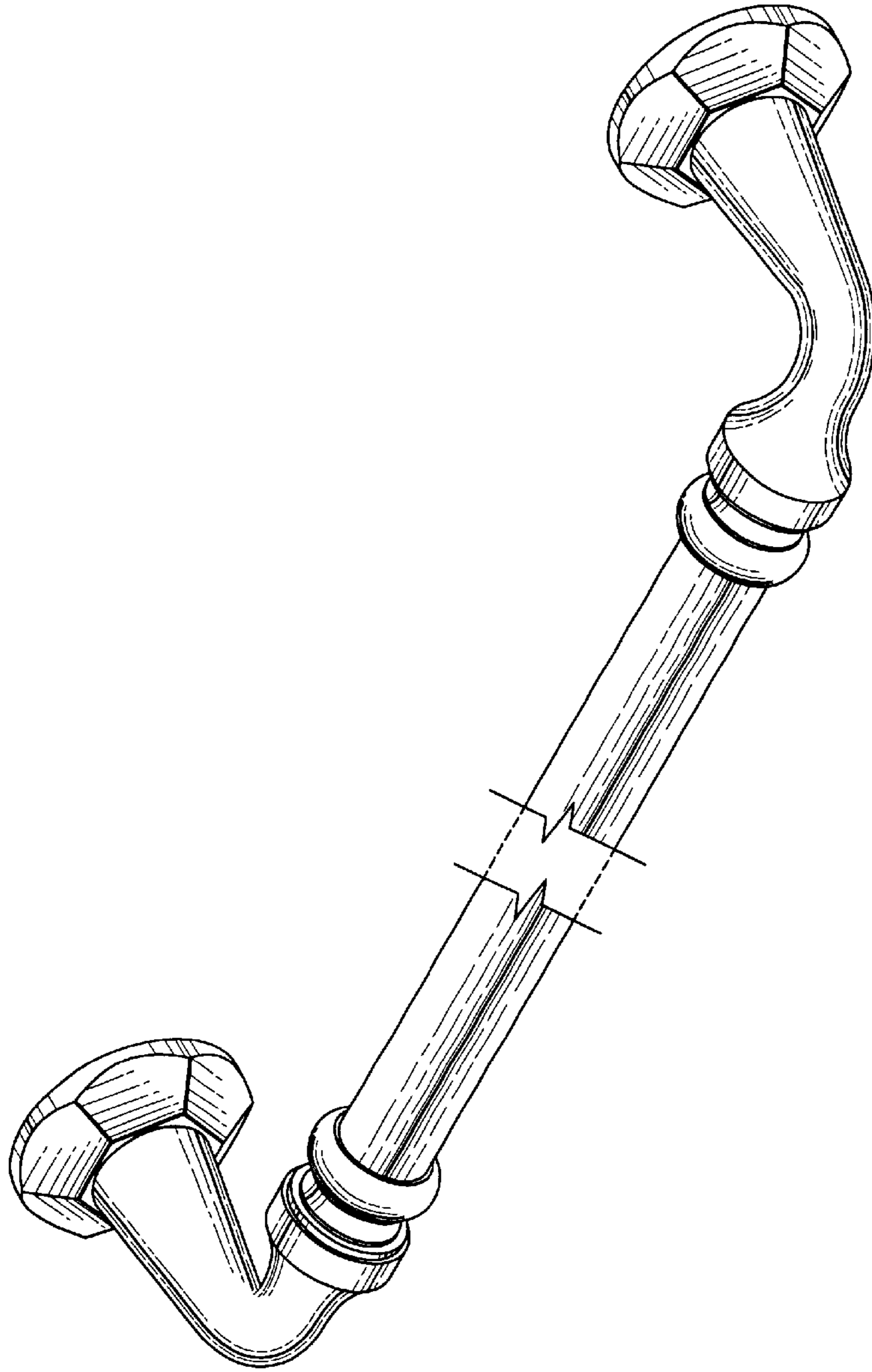


Fig. 8.

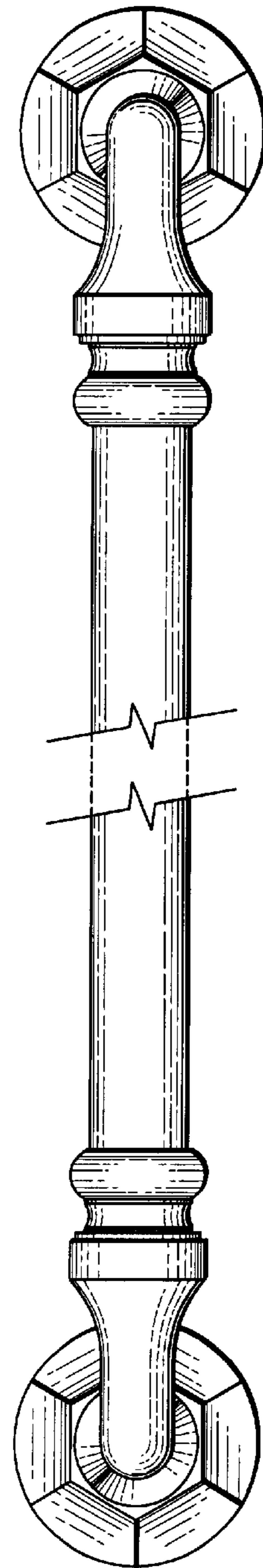


Fig. 9.

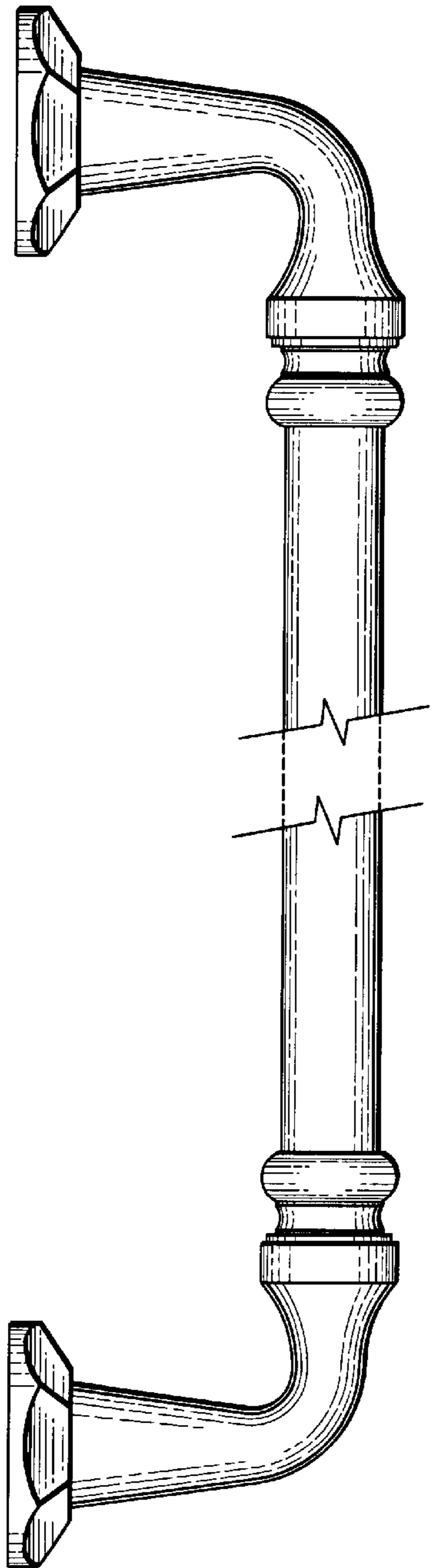


Fig. 10.

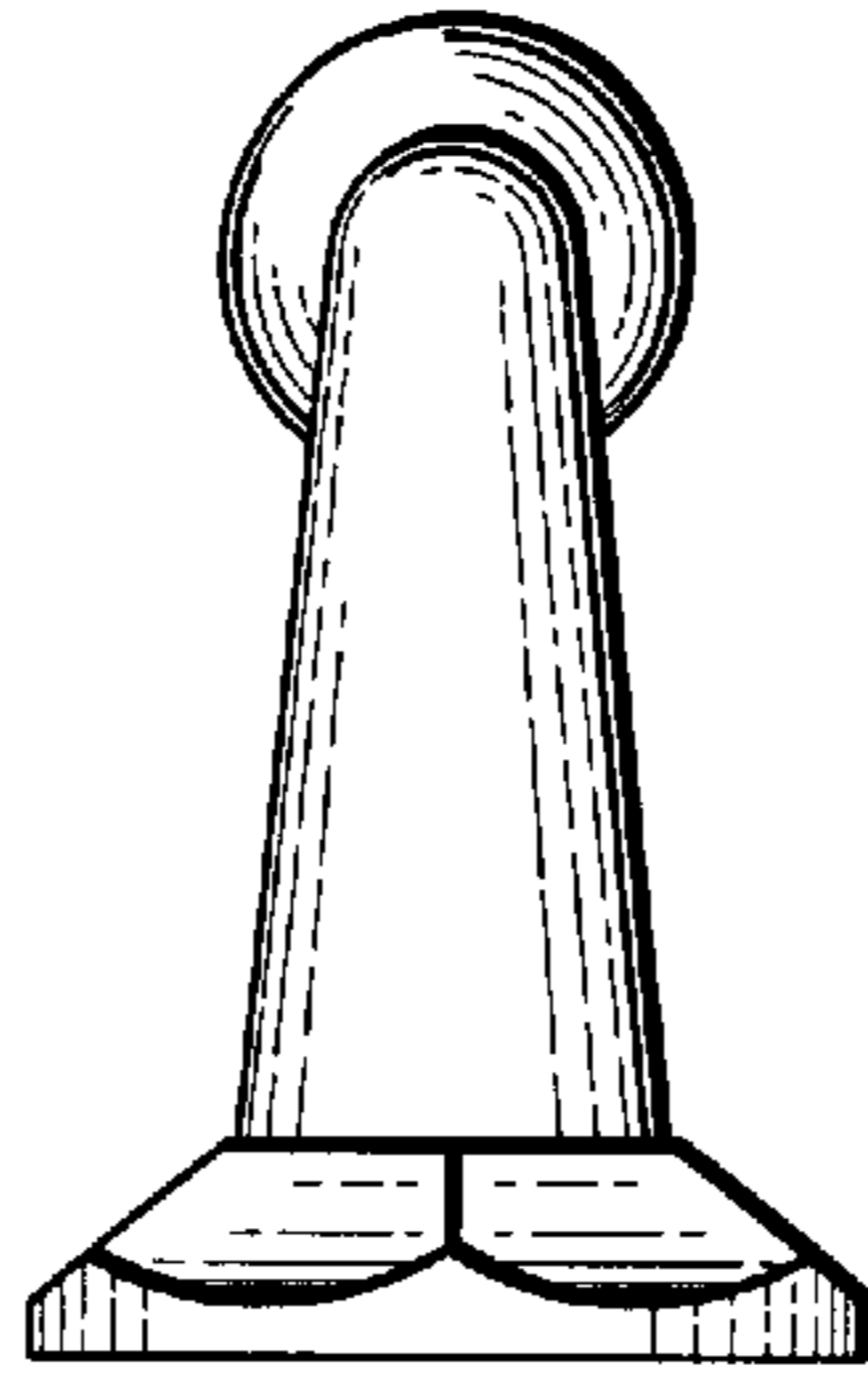


Fig. 12.

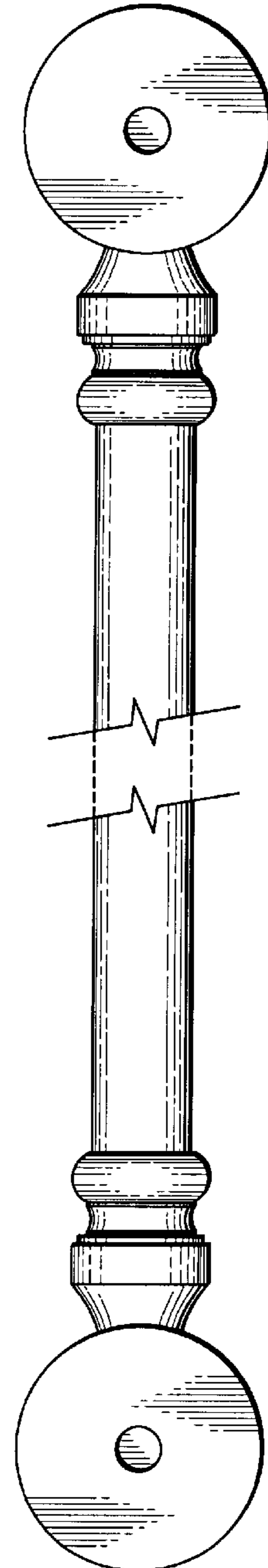


Fig. 11.