



US00D520856S

(12) **United States Design Patent**  
**Osiecki et al.**

(10) **Patent No.:** **US D520,856 S**

(45) **Date of Patent:** **\*\* May 16, 2006**

(54) **KNOB FOR A COMBINATION LOCK**

(75) Inventors: **Scott W. Osiecki**, Skaneateles, NY  
(US); **Donwoong Kang**, Syracuse, NY  
(US)

(73) Assignee: **John D. Brush & Co., Inc.**, Rochester,  
NY (US)

(\*\*) Term: **14 Years**

(21) Appl. No.: **29/213,505**

(22) Filed: **Sep. 17, 2004**

(51) **LOC (8) Cl.** ..... **08-06**

(52) **U.S. Cl.** ..... **D8/312; D8/321; D8/397**

(58) **Field of Classification Search** ..... D8/300,  
D8/301, 310, 311, 312, 322, 307-309, 350,  
D8/397, 399, 352, 321; D10/49-50, 60; D13/174;  
D23/250, 254; D21/694; 16/110.1, 309, 319,  
16/442, 414-420, 441, 443-446; 297/344.21  
See application file for complete search history.

(56) **References Cited**

**U.S. PATENT DOCUMENTS**

D43,713 S \* 3/1913 Campbell ..... D8/397  
D176,508 S \* 1/1956 Enos ..... D8/311  
D217,540 S \* 5/1970 Weise ..... D8/397

D231,316 S \* 4/1974 Bienkowski ..... D8/312  
D281,953 S \* 12/1985 Newman ..... D8/397  
D324,411 S \* 3/1992 Jolibois ..... D23/250  
D324,986 S \* 3/1992 Fratantonio et al. .... D8/312  
D344,679 S \* 3/1994 Odom et al. .... D10/60  
D389,394 S \* 1/1998 Taylor ..... D8/312  
D416,060 S \* 11/1999 Angeles ..... D21/694  
6,352,308 B1 \* 3/2002 Chen ..... 297/344.21  
D472,947 S \* 4/2003 Wu ..... D21/694

\* cited by examiner

*Primary Examiner*—Paula A. Greene

(74) *Attorney, Agent, or Firm*—Jaeckle Fleischmann &  
Mugel, LLP

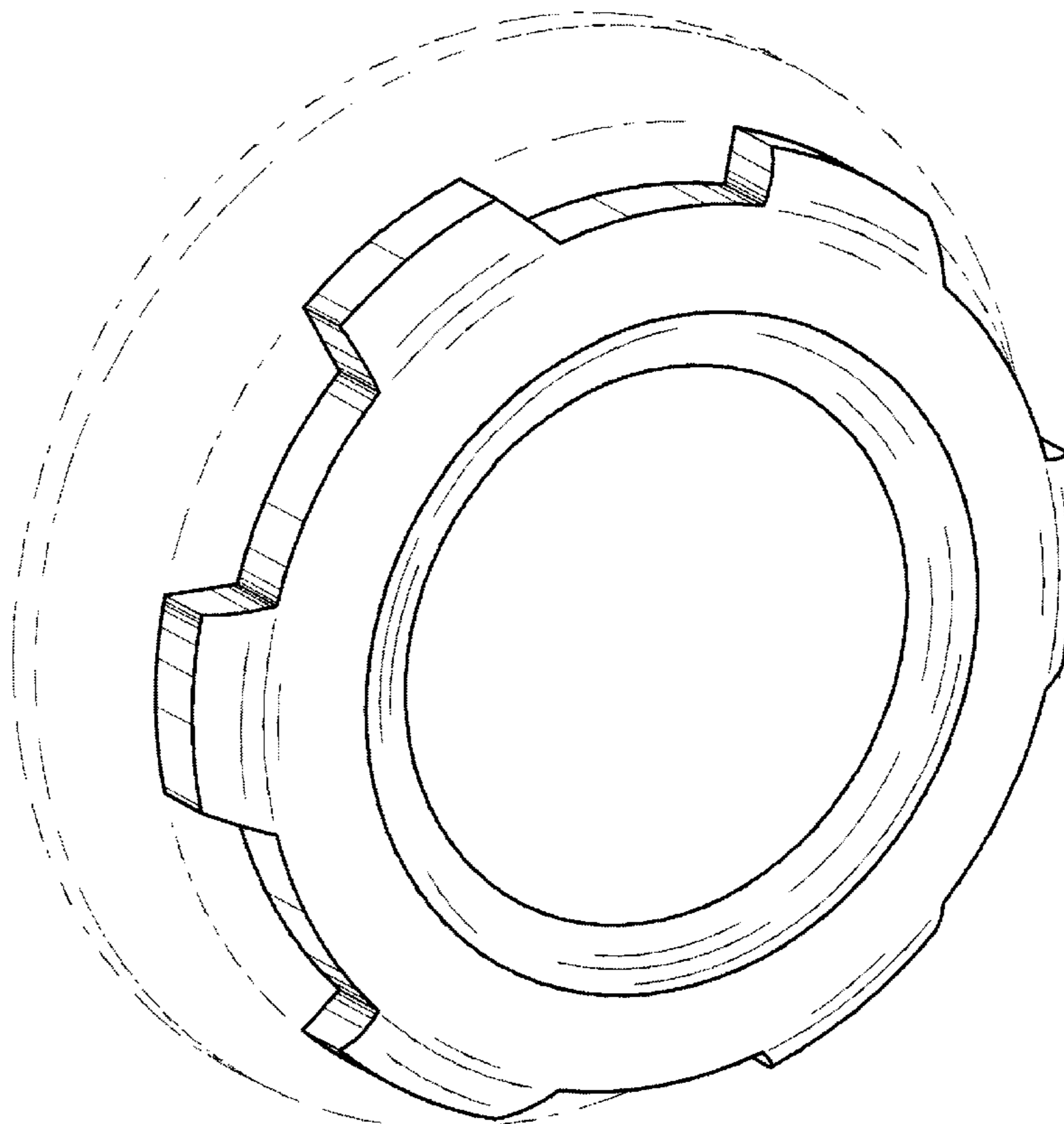
(57) **CLAIM**

The ornamental design for a knob for a combination lock, as  
shown and described.

**DESCRIPTION**

FIG. 1 is a left front perspective view of our new knob for  
a combination lock according to the present invention;  
FIG. 2 is a front view of the knob shown in FIG. 1;  
FIG. 3 is a bottom view of the knob shown in FIG. 1; and,  
FIG. 4 is a left side view of the knob shown in FIG. 1.  
The broken lines showing a dial in FIGS. 1-4 are for  
illustrative purposes and form no part of the claimed design.

**1 Claim, 4 Drawing Sheets**



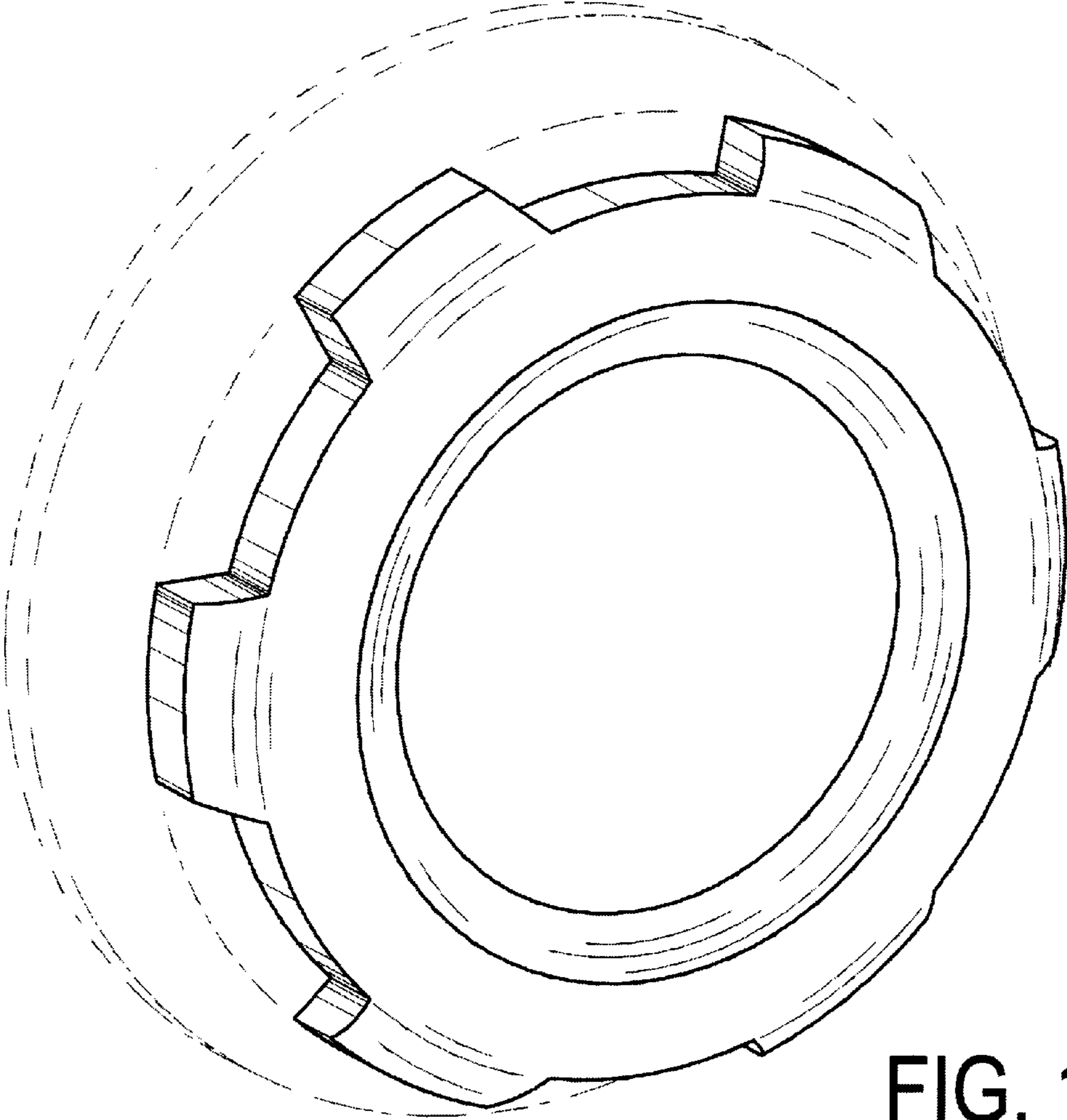


FIG. 1

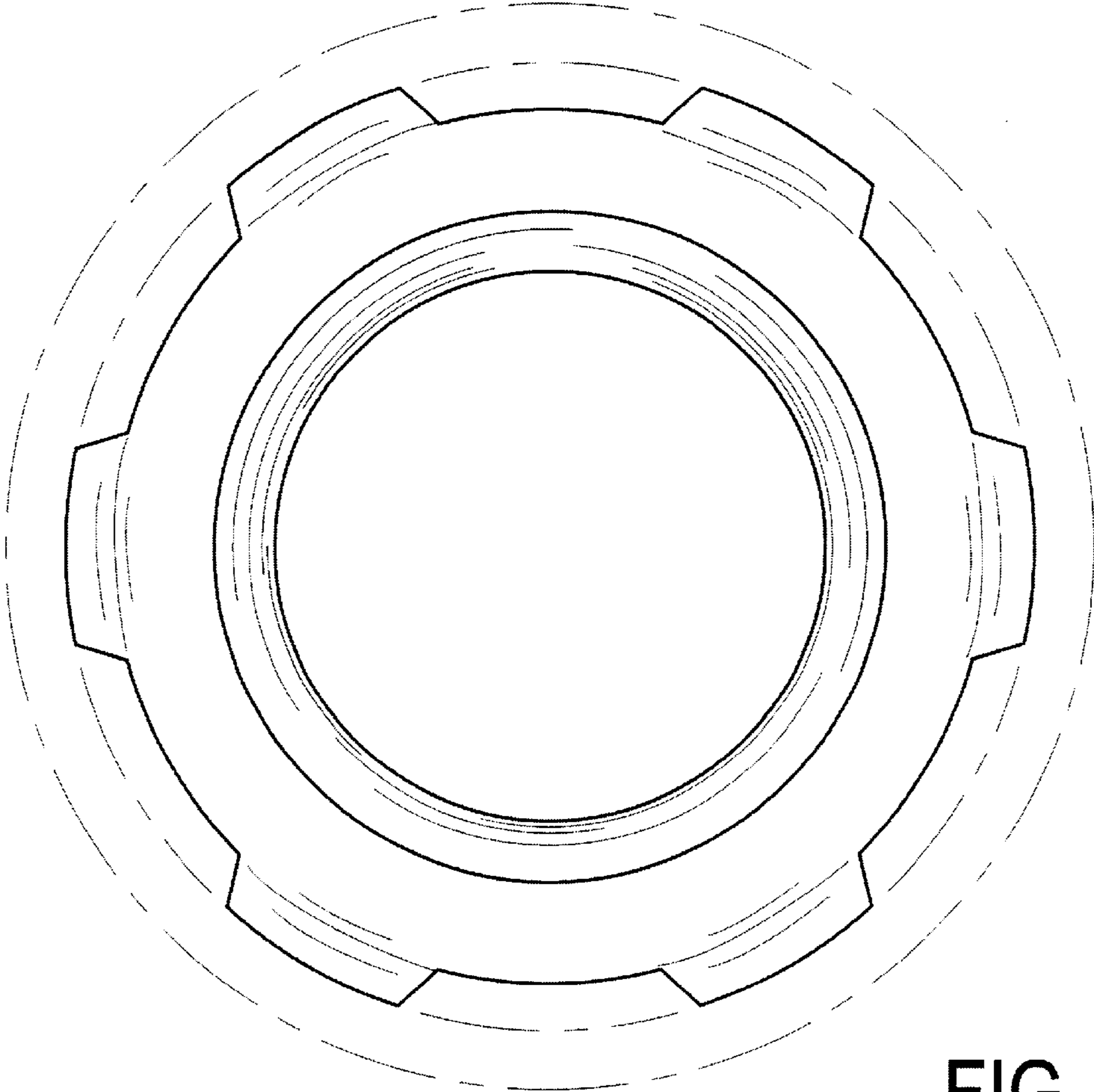


FIG. 2

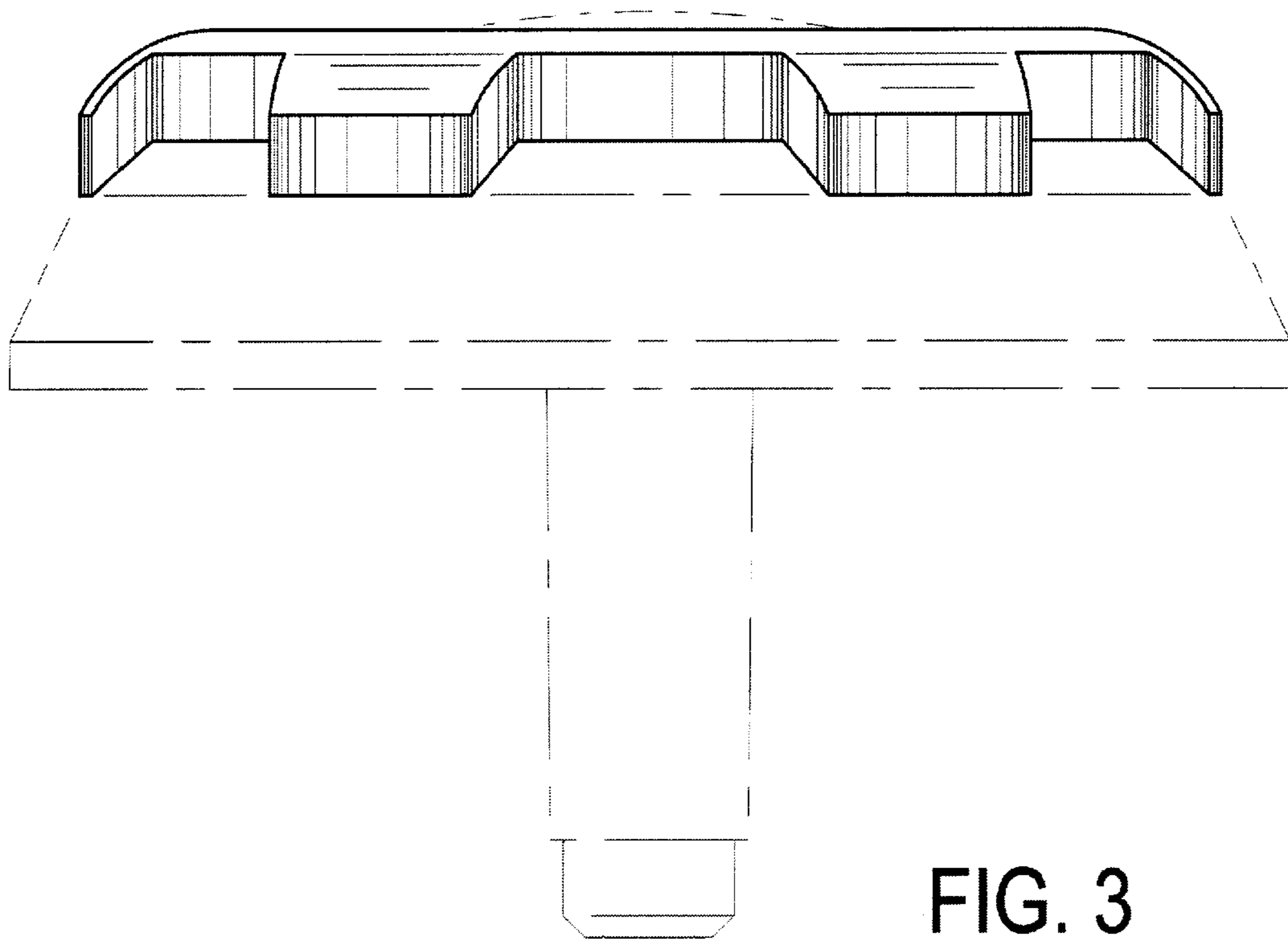


FIG. 3

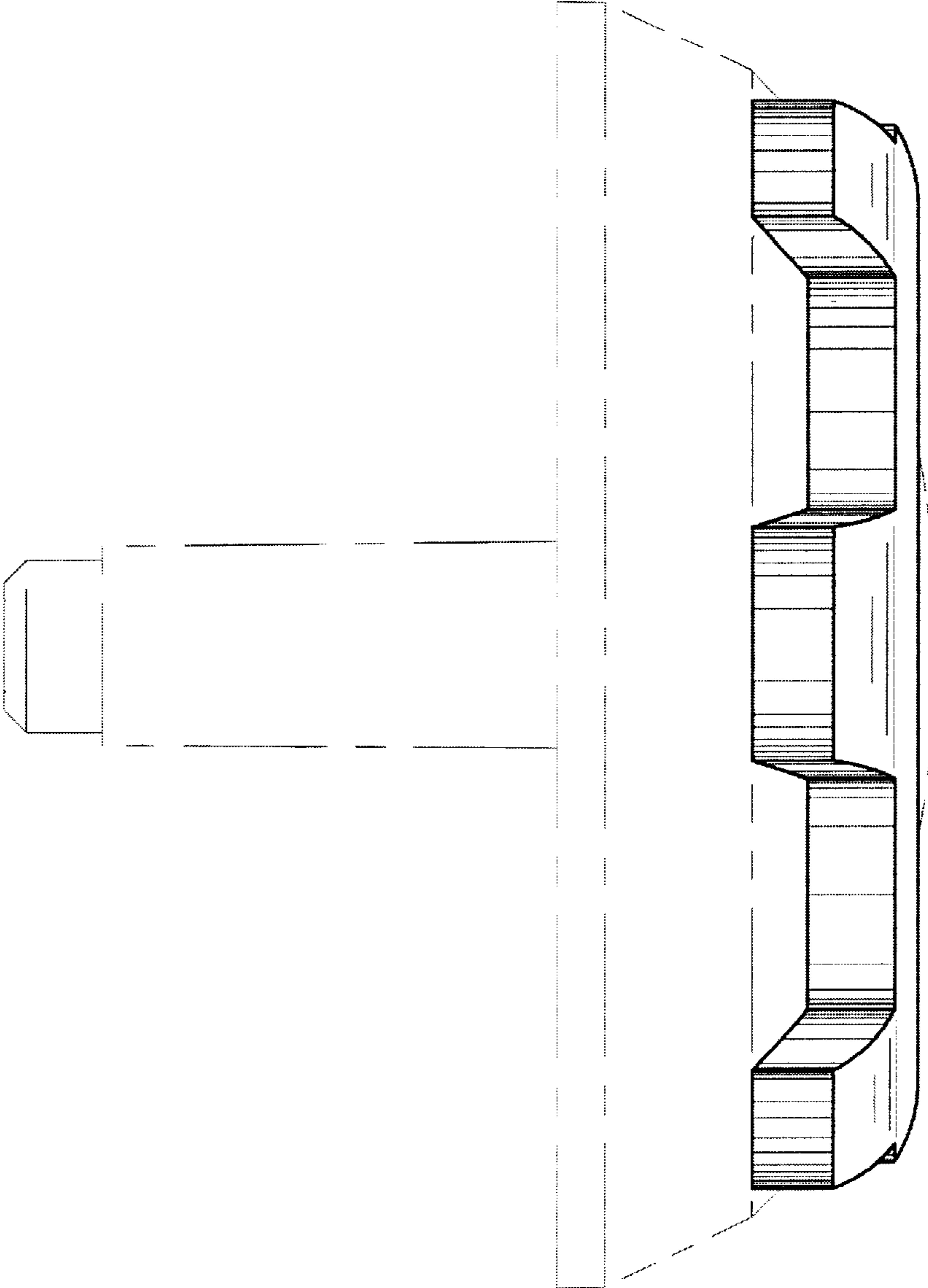


FIG. 4