



US00D520850S

(12) **United States Design Patent**  
**Jackson et al.**

(10) **Patent No.:** **US D520,850 S**

(45) **Date of Patent:** **\*\* May 16, 2006**

(54) **KNOB FOR A LATCH**

D362,842 S 10/1995 Levine

(75) Inventors: **Joe Jackson**, Wilmington, DE (US);  
**James H. Vickers**, Media, PA (US)

(73) Assignee: **Southco, Inc.**, Concordville, PA (US)

(\*\*) Term: **14 Years**

(21) Appl. No.: **29/215,679**

(22) Filed: **Oct. 22, 2004**

(51) **LOC (8) Cl.** ..... **08-06**

(52) **U.S. Cl.** ..... **D8/305**; D8/308

(58) **Field of Classification Search** ..... D8/300,  
D8/301, 302, 305, 308, 307, 310, 343; D13/158,  
D13/173, 174, 171; 200/4, 336, 47, 329,  
200/318.1, 237-238, 252, 275, 293; 337/66;  
74/531

See application file for complete search history.

(56) **References Cited**

**U.S. PATENT DOCUMENTS**

|             |   |         |                  |       |        |
|-------------|---|---------|------------------|-------|--------|
| D138,322 S  | * | 7/1944  | Melichar         | ..... | D8/305 |
| 3,550,472 A |   | 12/1970 | Dummer           |       |        |
| 3,686,601 A |   | 8/1972  | Kaczmarek et al. |       |        |
| 4,000,382 A |   | 12/1976 | Kolb             |       |        |
| 4,406,933 A |   | 9/1983  | Boozer           |       |        |
| D361,984 S  |   | 9/1995  | Levine           |       |        |

**OTHER PUBLICATIONS**

Sierra Marine Catalog, p. 39, as early as 2004; Sierra Marine  
la Division of Teleflex Marine.

Southco Handbook 2003, pp. 123-125, Southco, Inc.

\* cited by examiner

*Primary Examiner*—Paula A. Greene

(74) *Attorney, Agent, or Firm*—Paul & Paul

(57) **CLAIM**

The ornamental design for knob for a latch, as shown and  
described.

**DESCRIPTION**

FIG. 1 is a perspective view of a knob for a latch showing  
our new design;

FIG. 2 is a left side elevational view thereof;

FIG. 3 is a right side elevational view thereof;

FIG. 4 is a top plan view thereof;

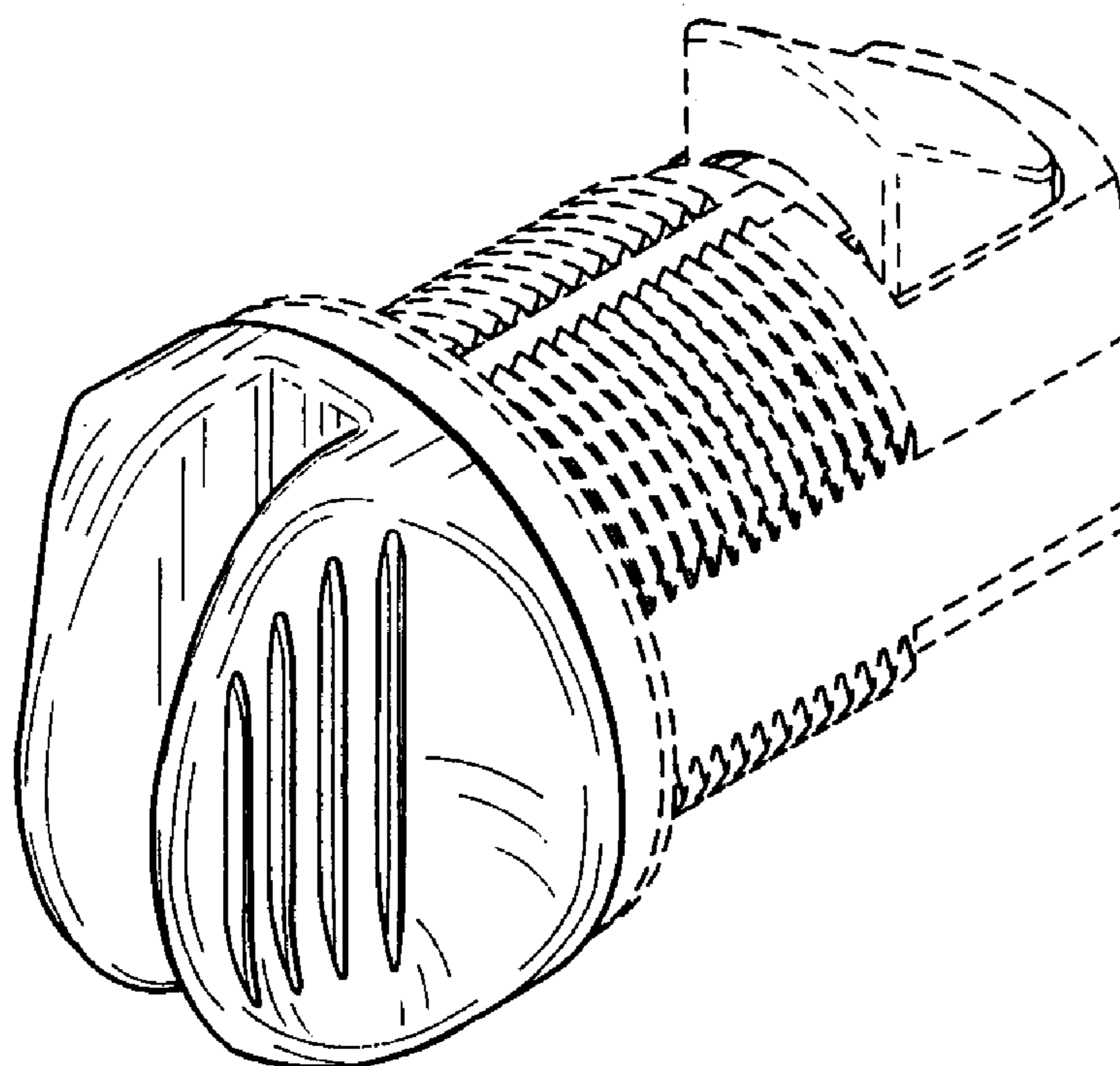
FIG. 5 is a front view thereof;

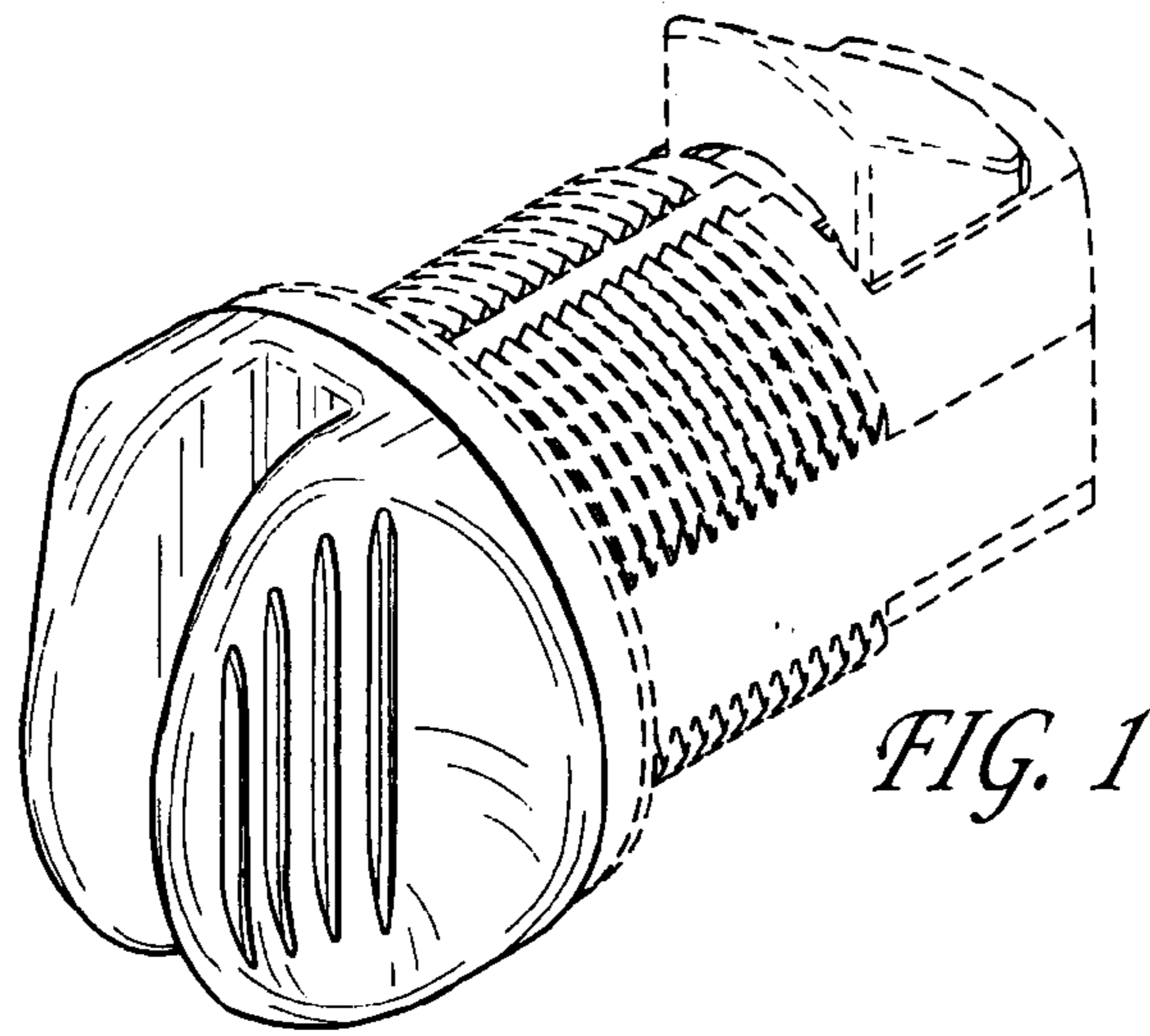
FIG. 6 is a rear view thereof; and,

FIG. 7 is a bottom plan view thereof.

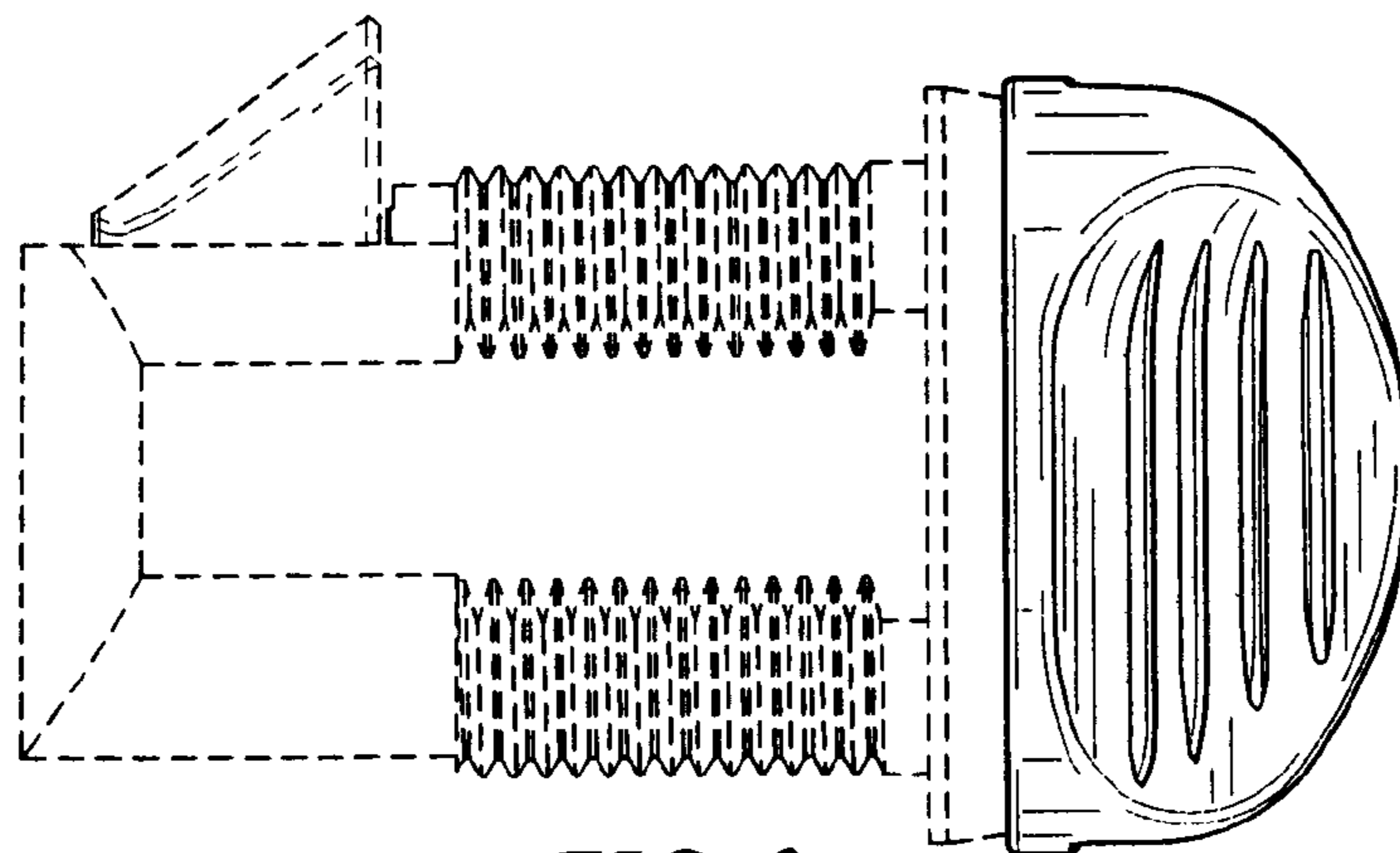
The broken lines in the figures are for illustrative purposes  
only and form no part of the claimed design.

**1 Claim, 2 Drawing Sheets**

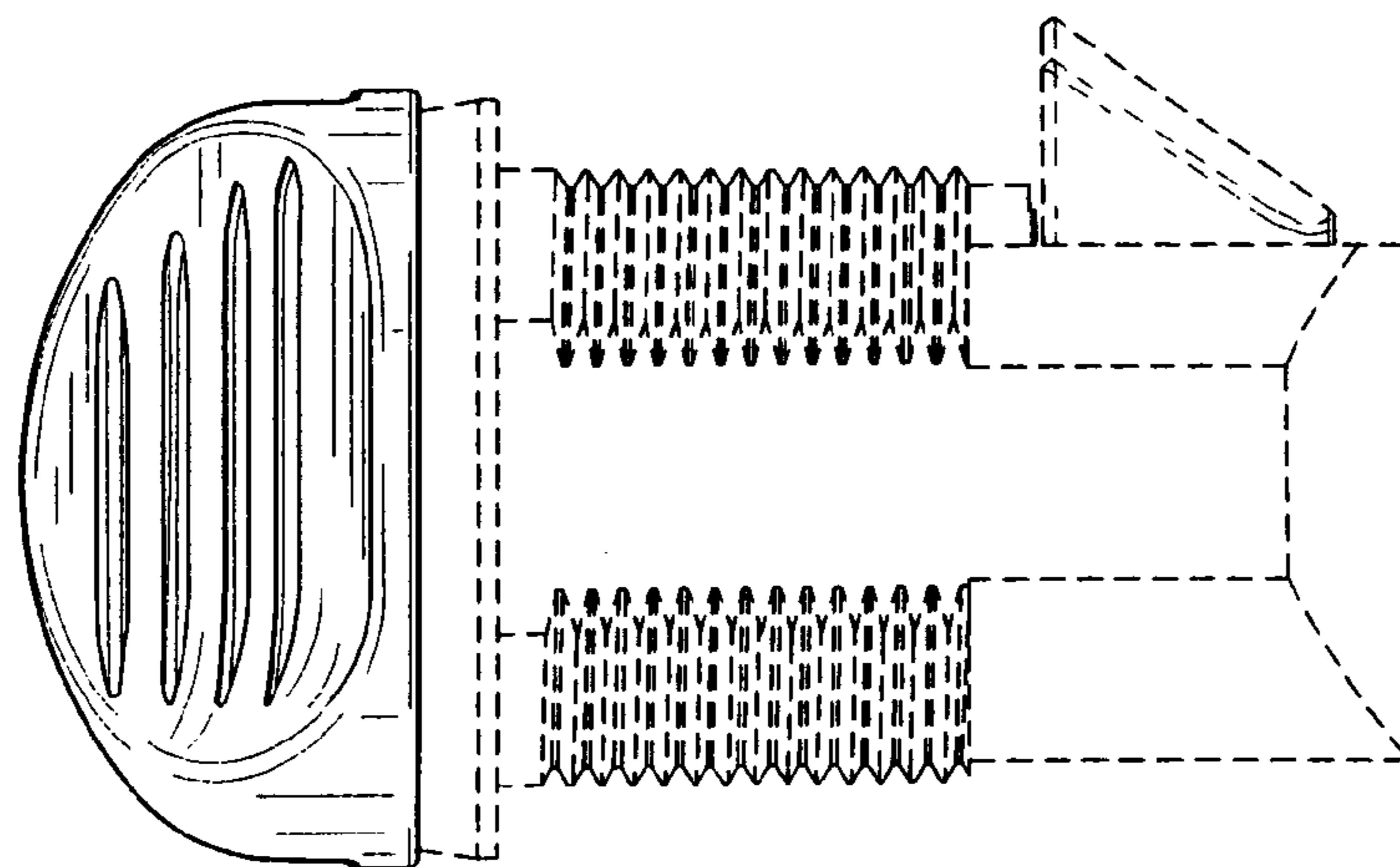




*FIG. 1*



*FIG. 2*



*FIG. 3*

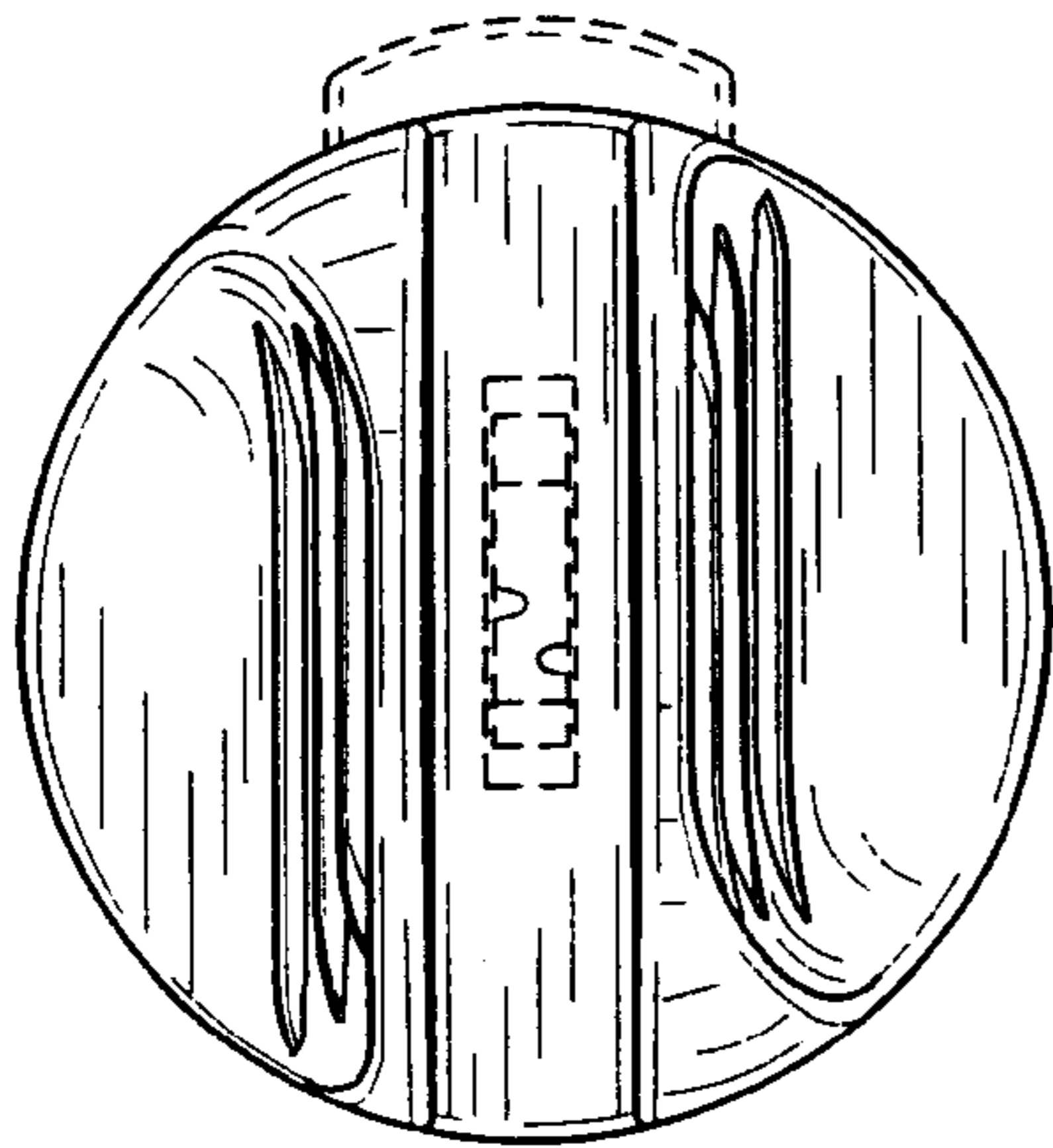


FIG. 4

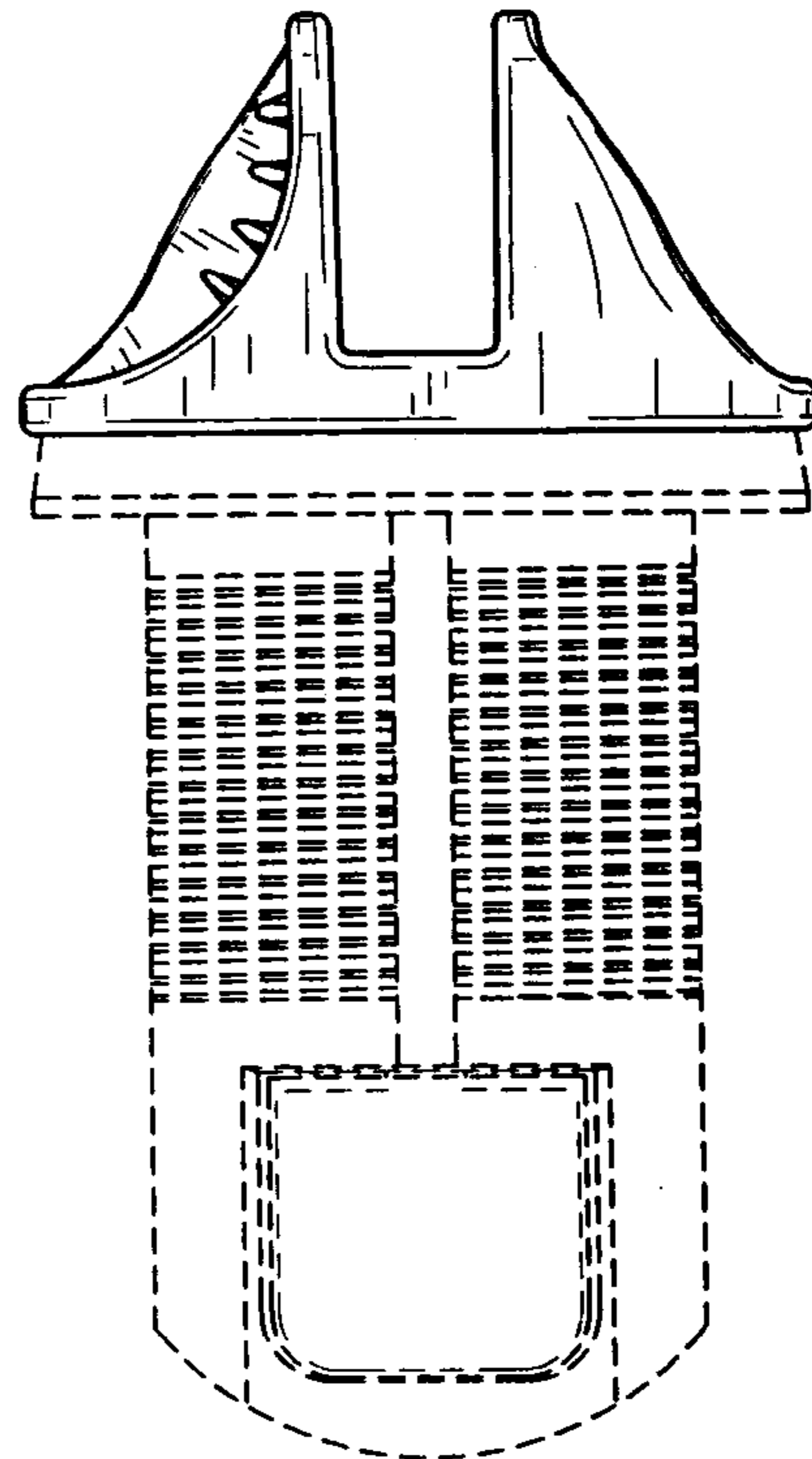


FIG. 5

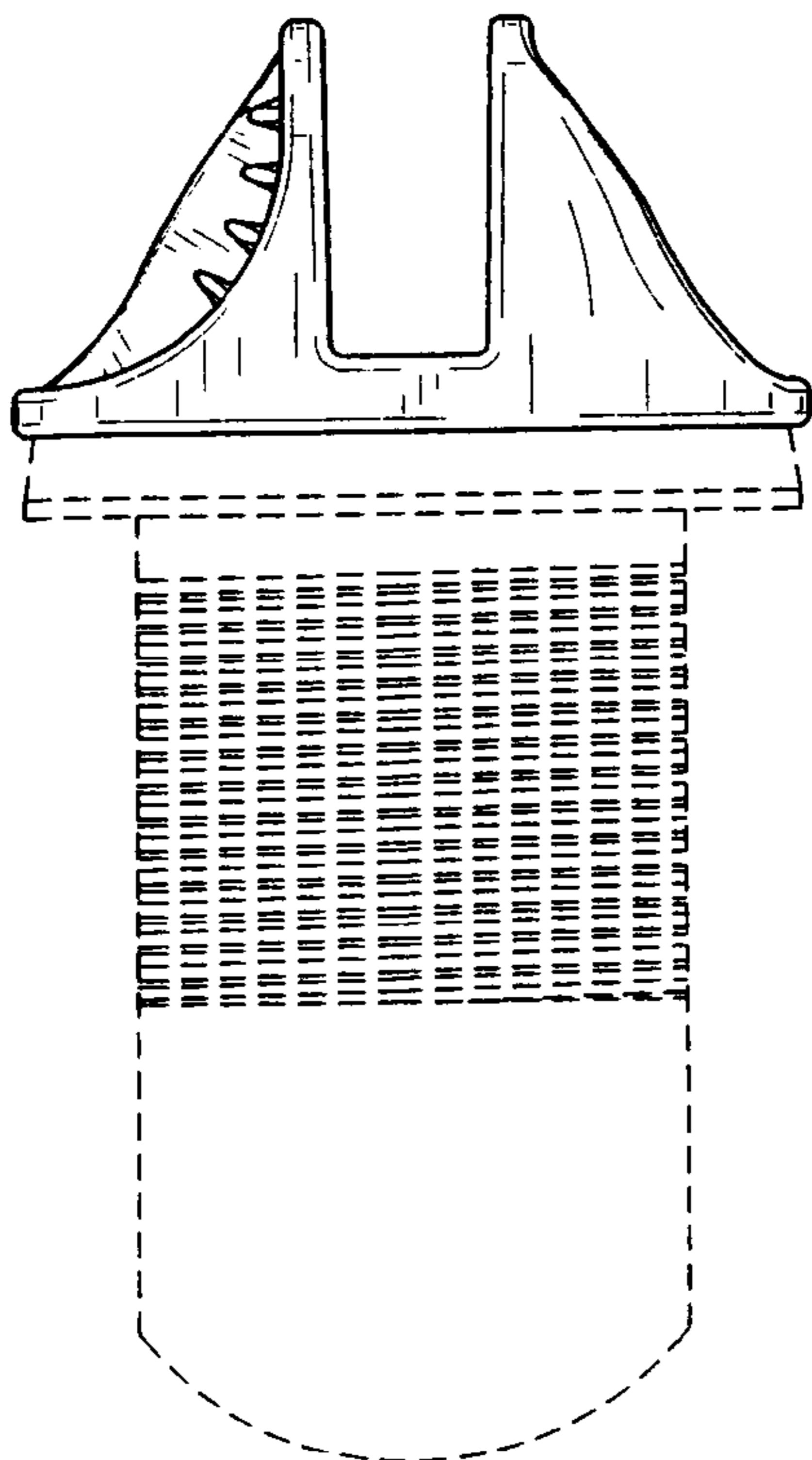


FIG. 6

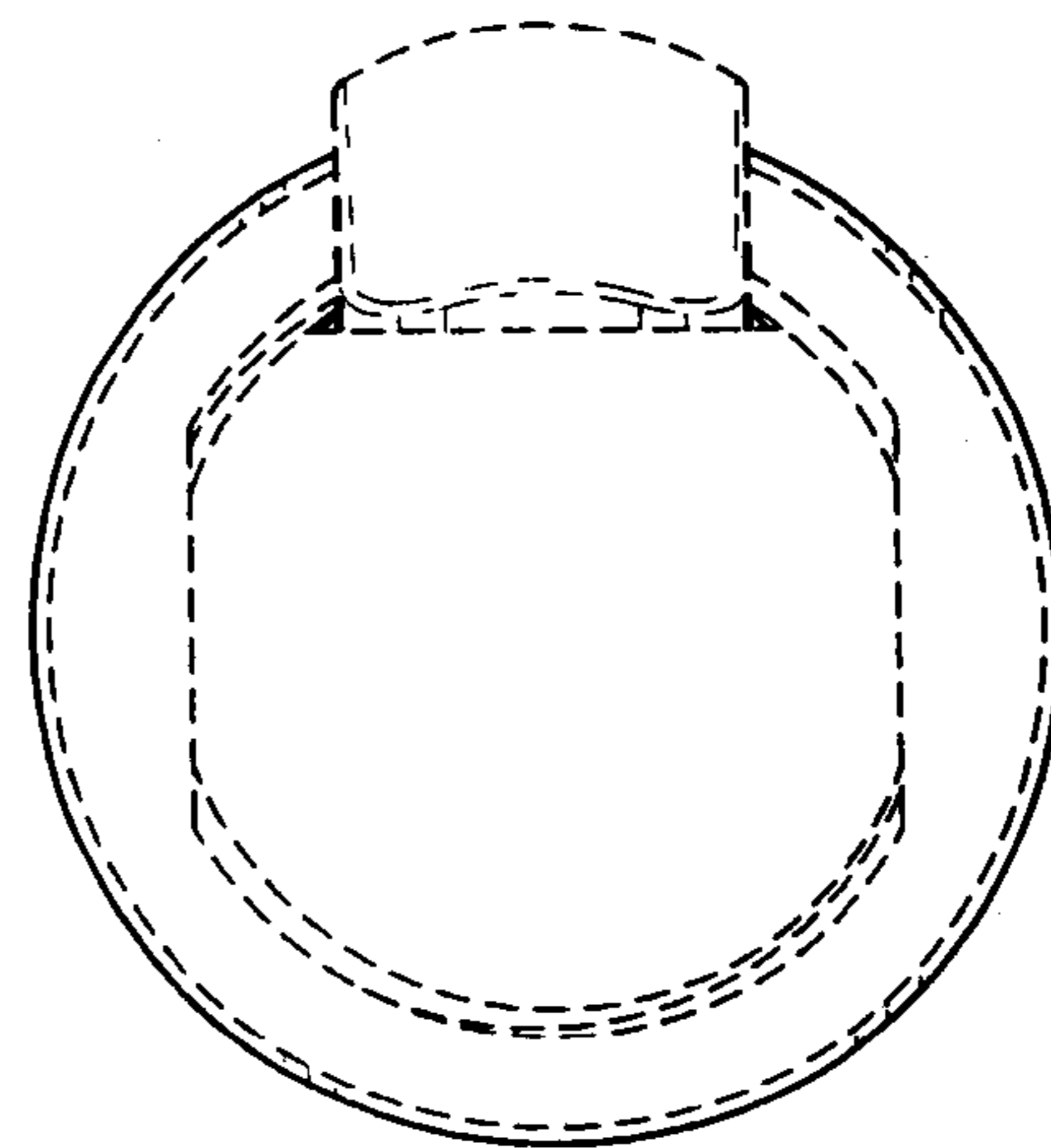


FIG. 7