

US00D520848S

(12) **United States Design Patent**
Metivier et al.

(10) **Patent No.:** **US D520,848 S**

(45) **Date of Patent:** **** May 16, 2006**

(54) **ELECTRONIC LOCK SYSTEM WITH CARD AND PINPAD READER**

(75) Inventors: **Pascal Georges Metivier**, Atlanta, GA (US); **Arnon Alexander**, Marietta, GA (US); **Jonathan P. Payne**, Lawrenceville, GA (US); **John D. Coleman**, Philadelphia, PA (US); **Peter D. Byar**, Willingboro, NJ (US)

(73) Assignee: **Onity, Inc.**, Norcross, GA (US)

(**) Term: **14 Years**

(21) Appl. No.: **29/217,087**

(22) Filed: **Nov. 12, 2004**

Related U.S. Application Data

(62) Division of application No. 29/168,715, filed on Oct. 8, 2002.

(51) **LOC (8) Cl.** **08-07**

(52) **U.S. Cl.** **D8/301**

(58) **Field of Classification Search** D8/300-302, D8/307-308, 310, 330-331, 334, 350, 352; D10/106; D18/4, 6; D14/387, 247; 292/336.3, 292/347, 356-357; D99/43; 235/379, 382, 235/382.5, 487, 492; 340/5.54; 70/207, 209, 70/450, 452, 277, 278.1, 286, 311, 314, 332, 70/278.7, 283, 287-288, 422, 285, 472, 129, 70/156, 271

See application file for complete search history.

(56) **References Cited**

U.S. PATENT DOCUMENTS

3,529,454 A * 9/1970 Fish 70/271

4,637,237 A * 1/1987 Witkoski et al. 70/285
4,899,562 A * 2/1990 Gartner et al. 70/277
5,198,643 A * 3/1993 Miron et al. 235/382
D354,922 S * 1/1995 Gartner D10/106
D365,976 S * 1/1996 Chiu D8/330
D388,309 S * 12/1997 Hamilton et al. D8/330
D485,960 S * 1/2004 Paris et al. D99/43
D501,388 S * 2/2005 Carpintero D8/301
6,935,149 B1 * 8/2005 Peng et al. 70/472

* cited by examiner

Primary Examiner—Paula A. Greene

(74) *Attorney, Agent, or Firm*—Akin Gump Strauss Hauer & Feld, LLP

(57) **CLAIM**

The ornamental design for an electronic lock system with card and pinpad reader, as shown and described.

DESCRIPTION

FIG. 1 is a front perspective view of the electronic lock system with card and pinpad reader in accordance with our new design;

FIG. 2 is a rear perspective view thereof;

FIG. 3 is a front elevational view thereof;

FIG. 4 is a rear elevational view thereof;

FIG. 5 is a right side elevational view thereof;

FIG. 6 is a left side elevational view thereof;

FIG. 7 is a top plan view thereof; and,

FIG. 8 is a bottom plan view thereof.

The broken lines in the figures are for illustrative purposes only and form no part of the claimed design.

1 Claim, 7 Drawing Sheets

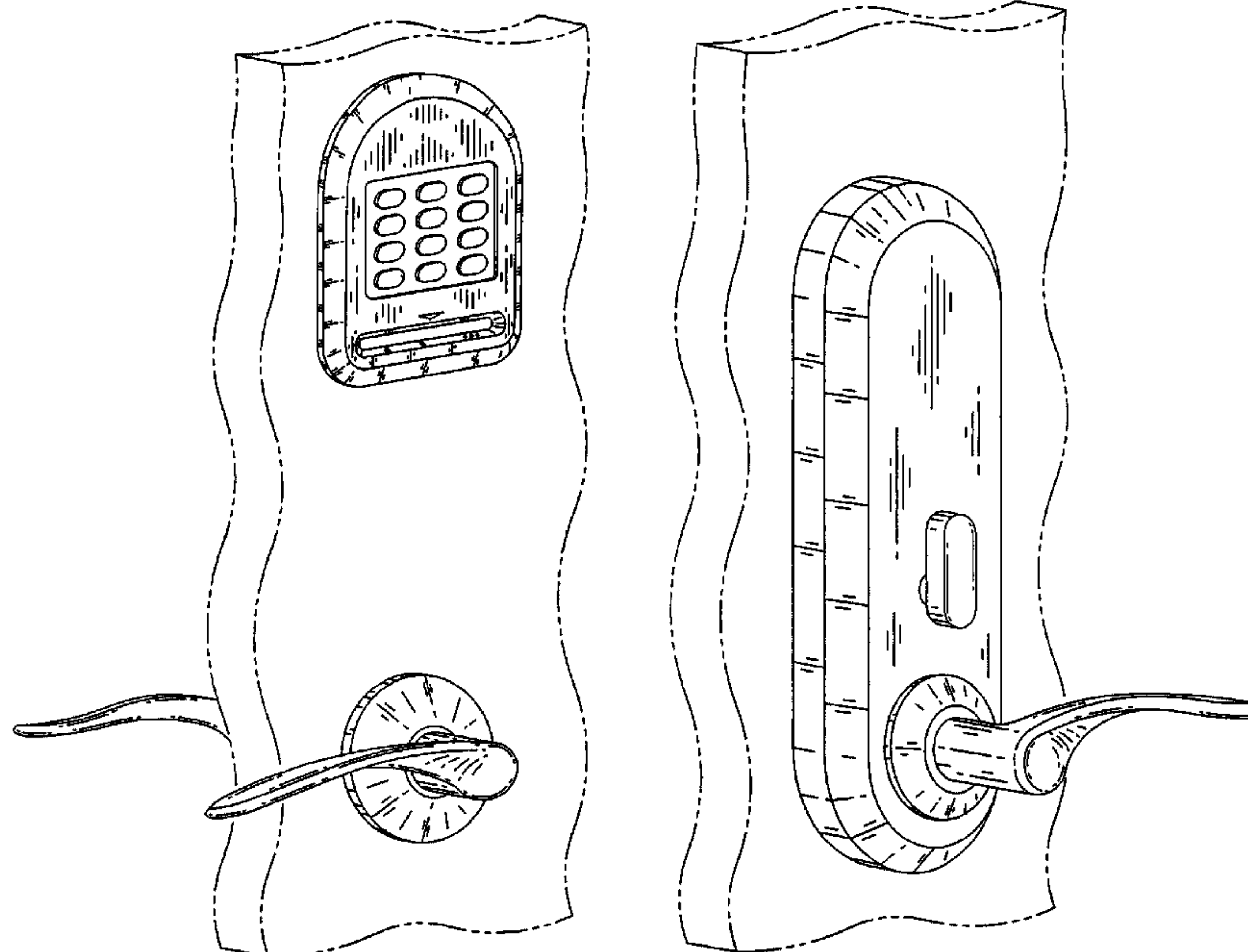
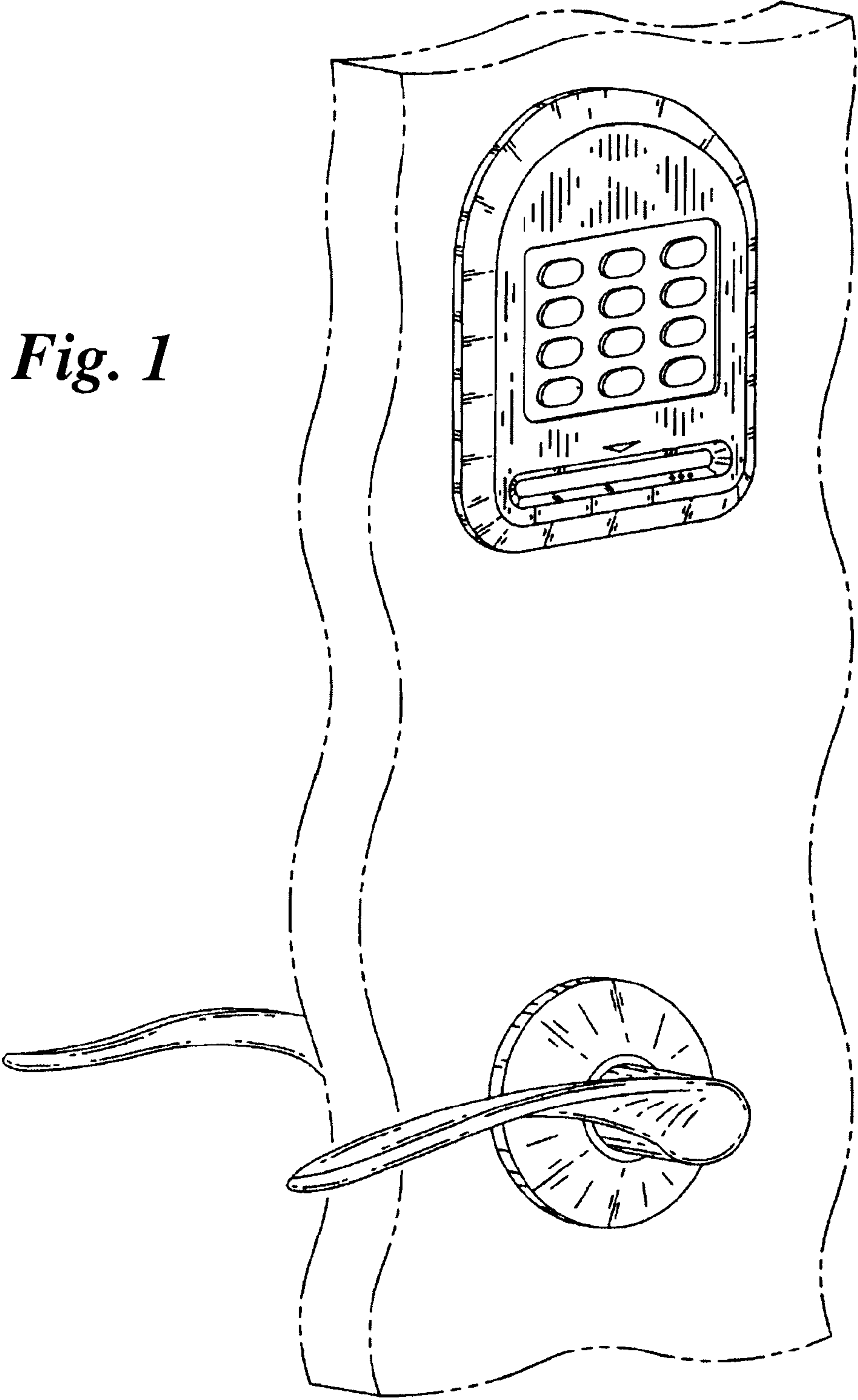


Fig. 1



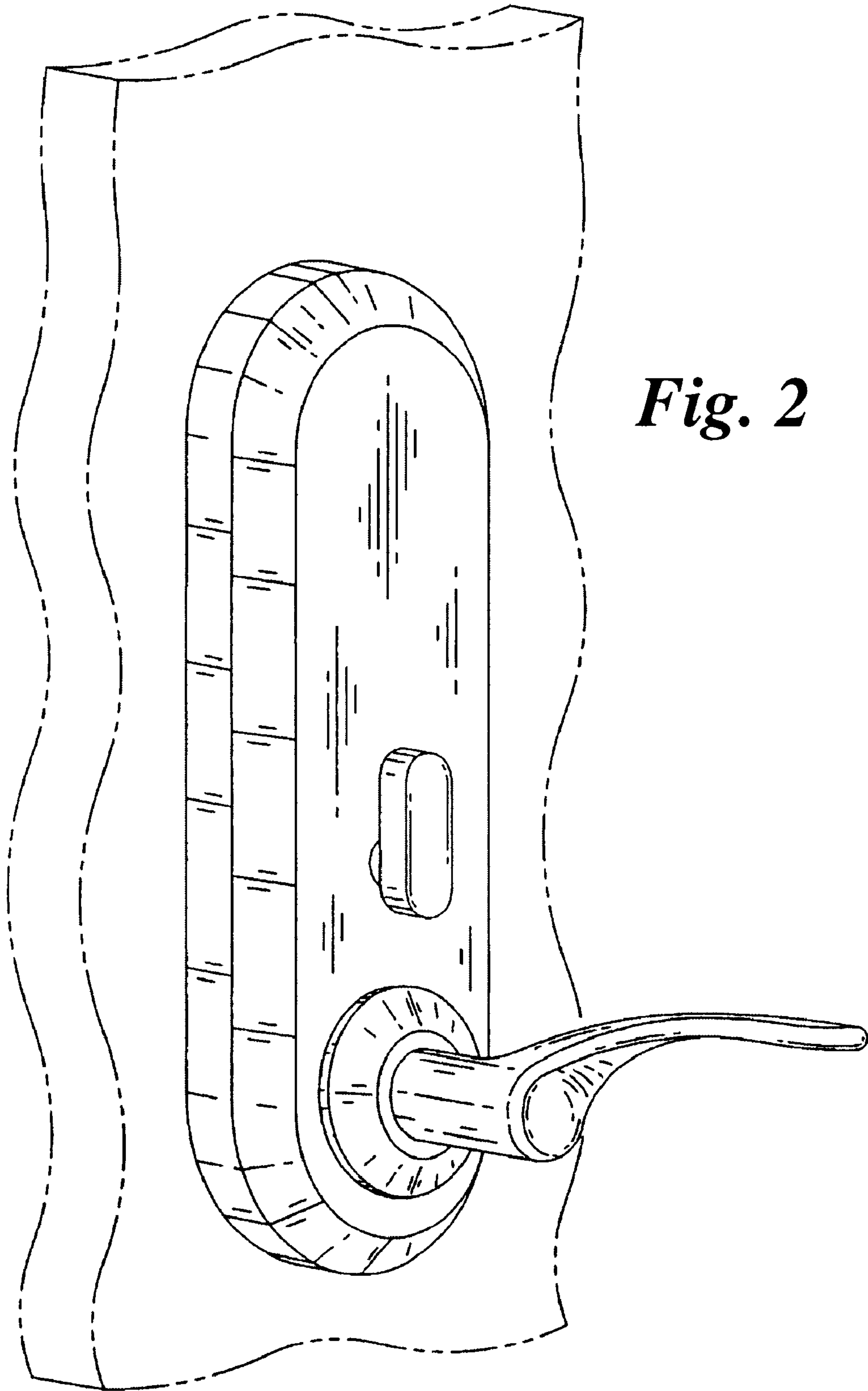
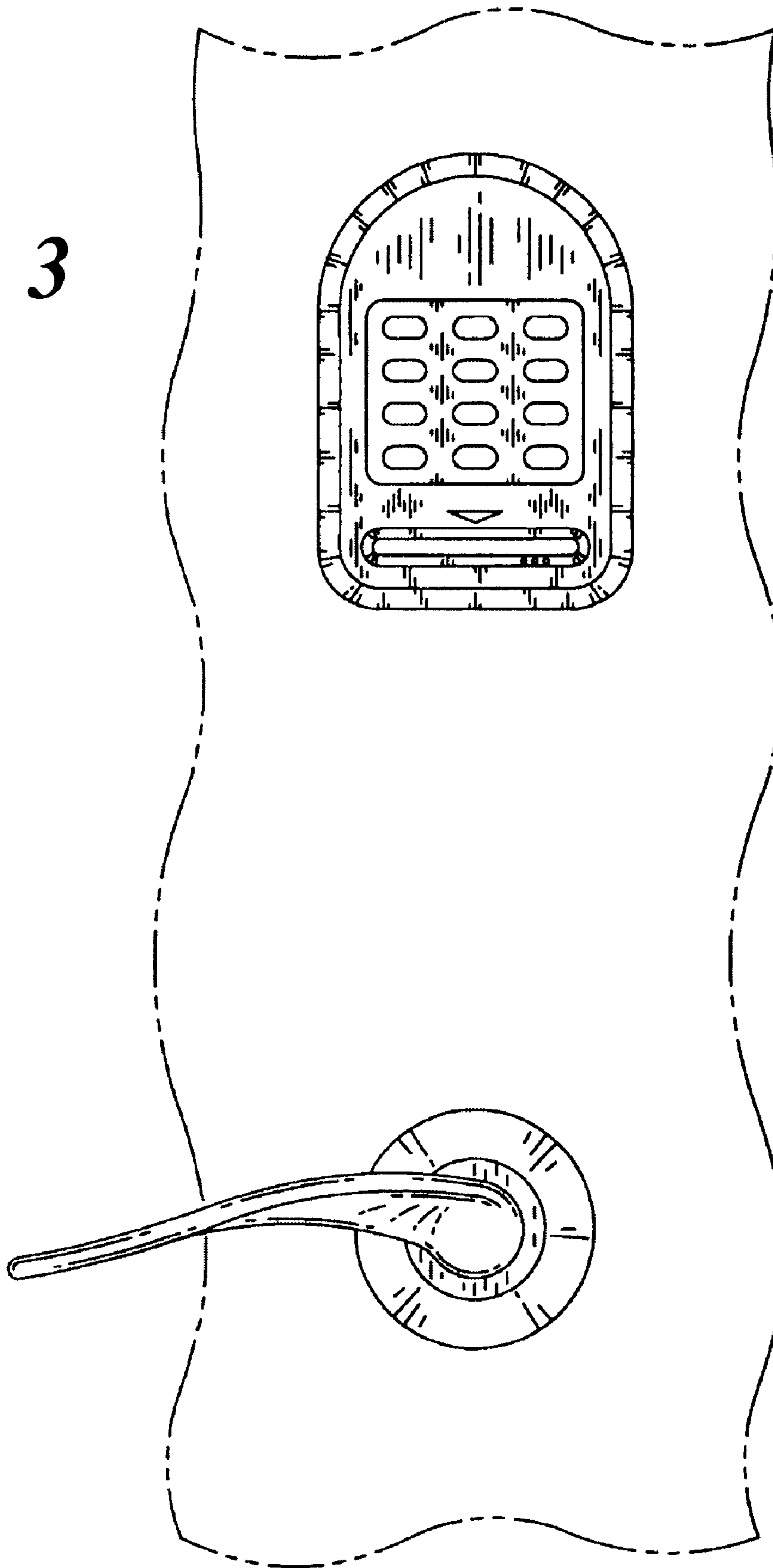


Fig. 2

Fig. 3



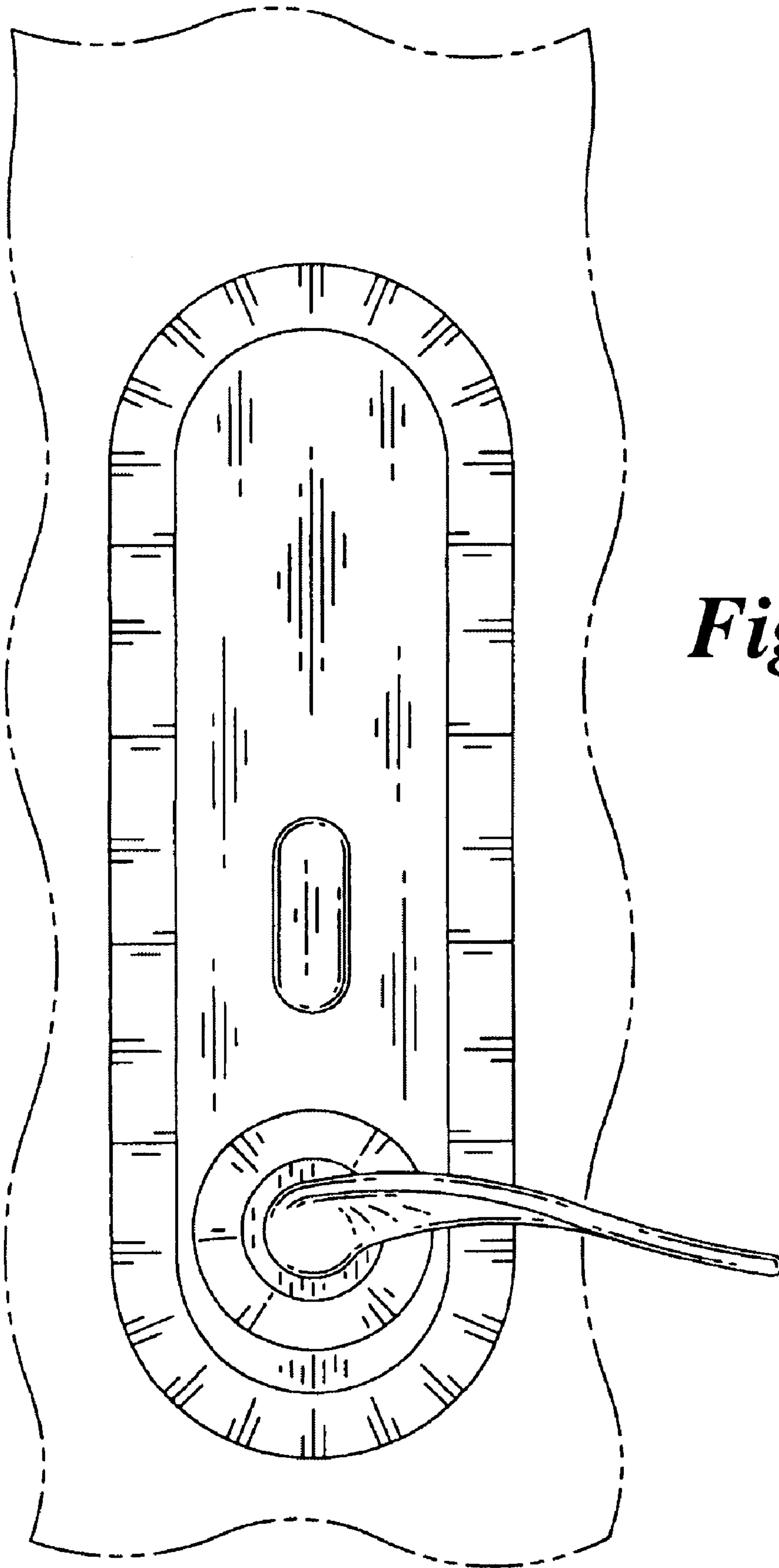


Fig. 4

Fig. 5

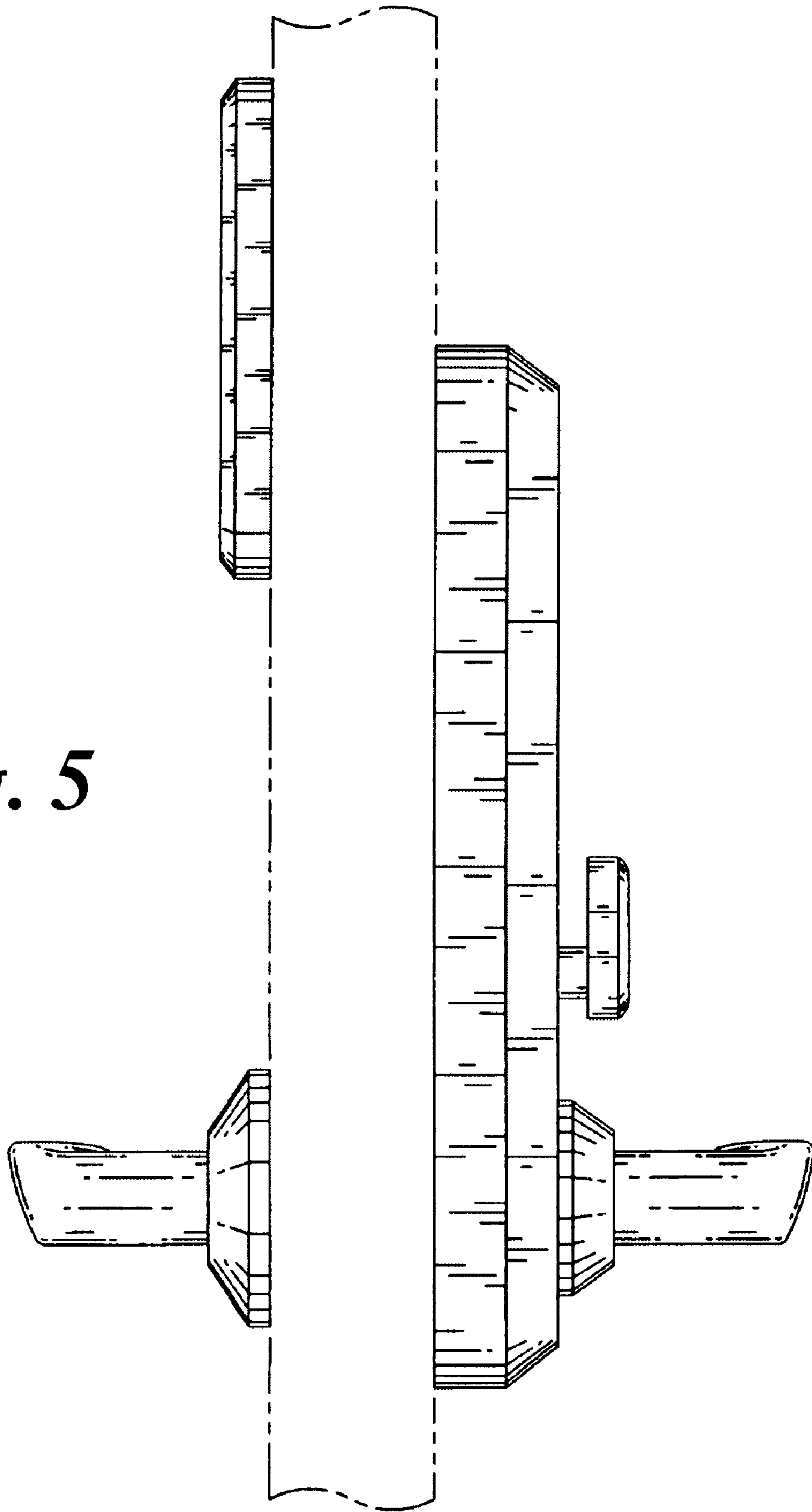
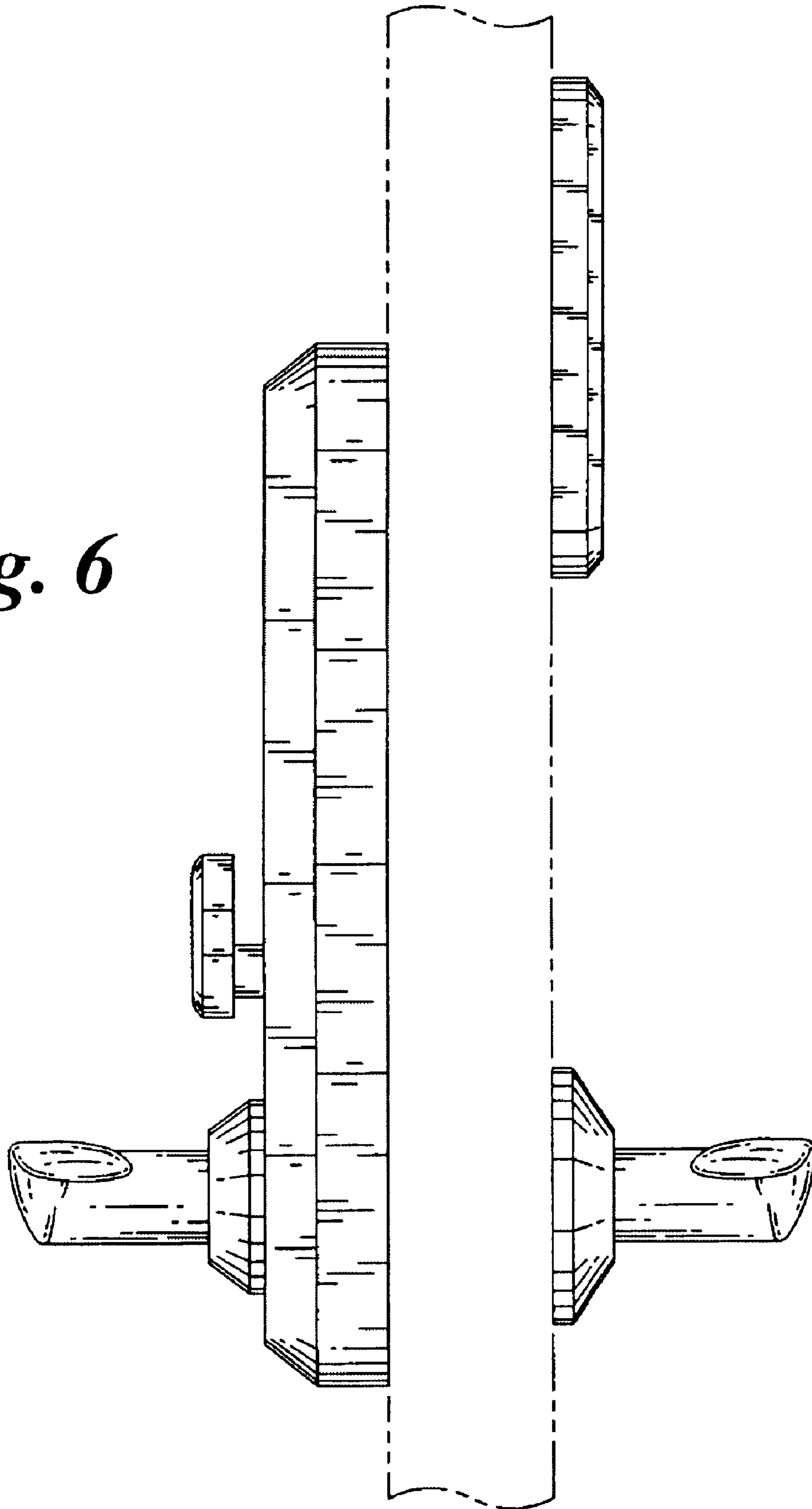


Fig. 6



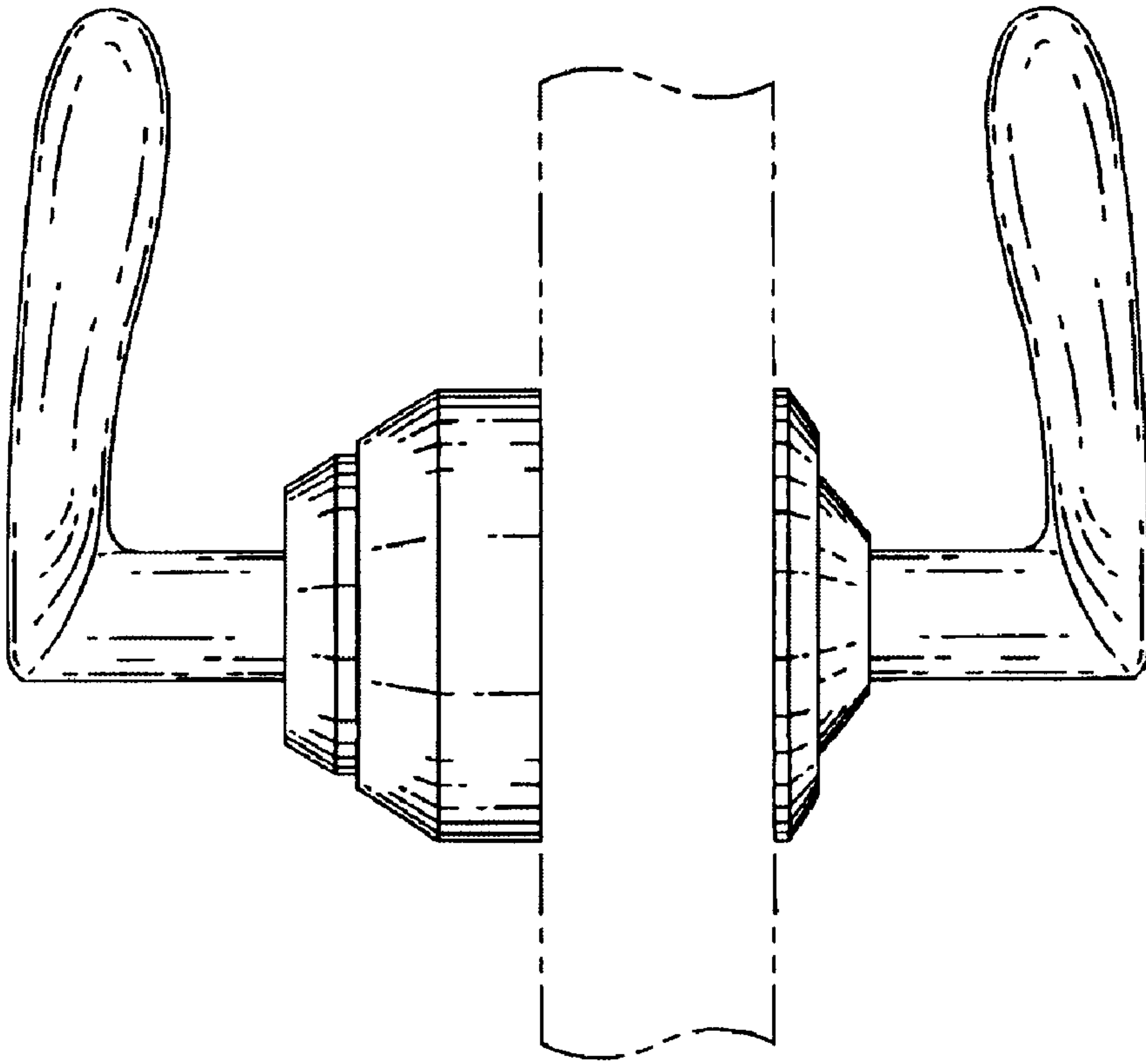


Fig. 7

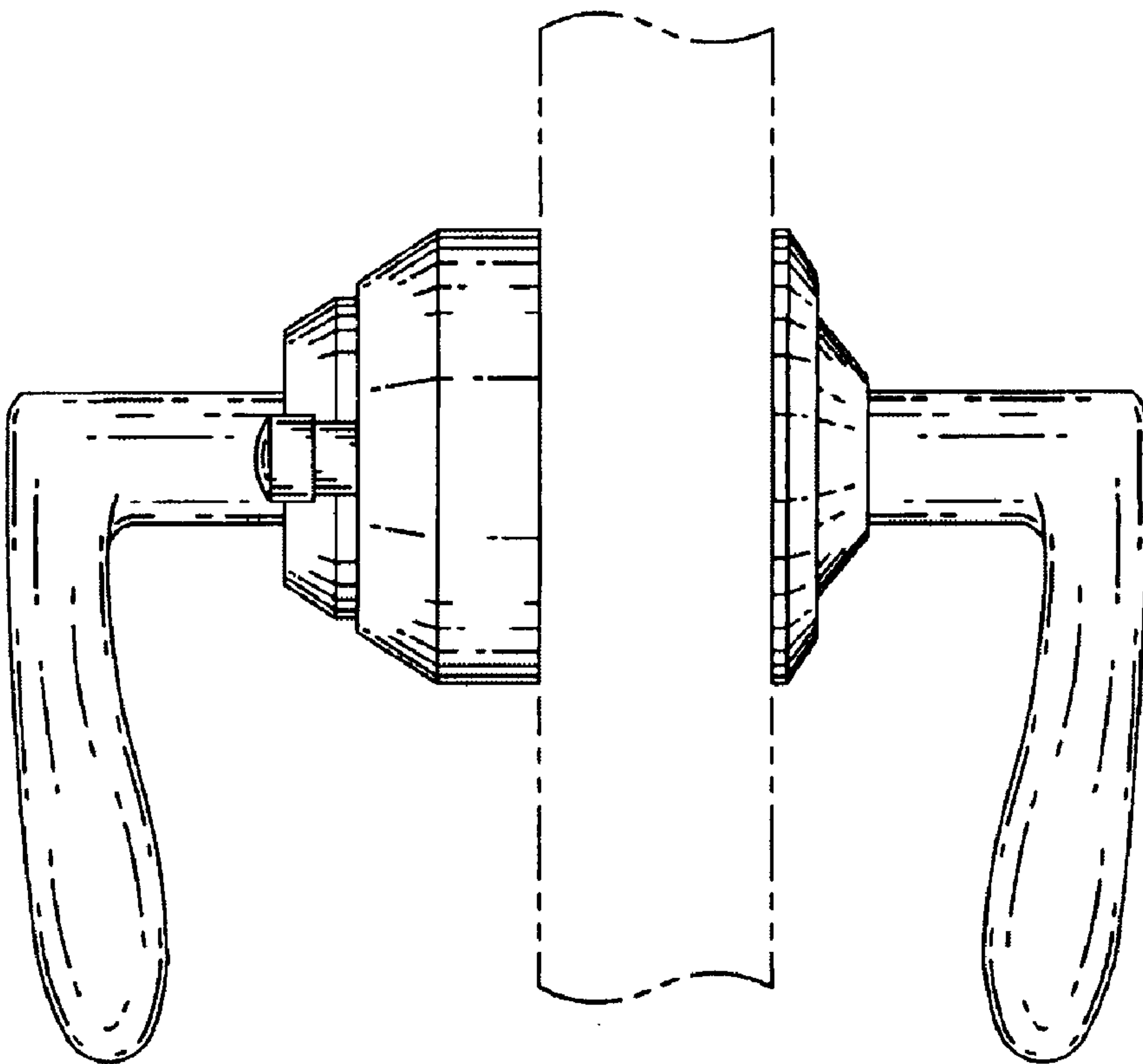


Fig. 8