

US00D520839S

(12) **United States Design Patent**
Miwa

(10) **Patent No.:** **US D520,839 S**

(45) **Date of Patent:** **** May 16, 2006**

(54) **PNEUMATIC NAILING MACHINE**

(75) Inventor: **Toshihide Miwa**, Tokyo (JP)

(73) Assignee: **Max Co., Ltd.**, Tokyo (JP)

(**) Term: **14 Years**

(21) Appl. No.: **29/237,024**

(22) Filed: **Aug. 26, 2005**

(30) **Foreign Application Priority Data**

Mar. 2, 2005 (JP) 2005-006121

(51) **LOC (8) Cl.** **08-05**

(52) **U.S. Cl.** **D8/69**

(58) **Field of Classification Search** D8/14.1,
D8/61, 62, 63, 64, 65, 66, 67, 68, 69, 70;
81/57.11, 429, 464, 465, 466, 469, 489; 173/13,
173/169, 178, 213, 217, 114, 201, 211; 227/8,
227/114, 120, 130, 136, 142; 408/20, 124,
408/125, 234, 241 R; 451/358; 310/50

See application file for complete search history.

(56) **References Cited**

U.S. PATENT DOCUMENTS

D219,259 S * 11/1970 Perkins D8/61
D338,606 S * 8/1993 Oda D8/69
5,322,189 A * 6/1994 Oda 227/120
5,816,469 A * 10/1998 Ohuchi 227/120
D435,770 S 1/2001 Arai
6,199,739 B1 * 3/2001 Mukoyama et al. 227/120
6,431,428 B1 * 8/2002 Chen 227/120

6,494,355 B1 * 12/2002 Adachi et al. 227/120
6,592,016 B1 * 7/2003 Hamano et al. 227/120
D477,975 S * 8/2003 Lai D8/68
6,641,022 B1 * 11/2003 Hamano et al. 227/120
D486,048 S * 2/2004 Hattori D8/68
6,726,080 B1 * 4/2004 Hamada 173/169
D499,623 S * 12/2004 Buck D8/68
D508,191 S * 8/2005 Hattori et al. D8/68
2001/0030218 A1 * 10/2001 Adachi et al. 227/120
2003/0127490 A1 * 7/2003 Hamano et al. 227/120
2005/0001007 A1 * 1/2005 Butzen et al. 227/130
2005/0092806 A1 * 5/2005 Miller et al. 227/8

* cited by examiner

Primary Examiner—Gary D. Watson

Assistant Examiner—T. Chase Nelson

(74) *Attorney, Agent, or Firm*—Morgan Lewis & Bockius
LLP

(57) **CLAIM**

The ornamental design for a pneumatic nailing machine, as shown and described.

DESCRIPTION

FIG. 1 is a perspective view of the front, left and top of a pneumatic nailing machine showing my new design;

FIG. 2 is a front view thereof;

FIG. 3 is a rear view thereof;

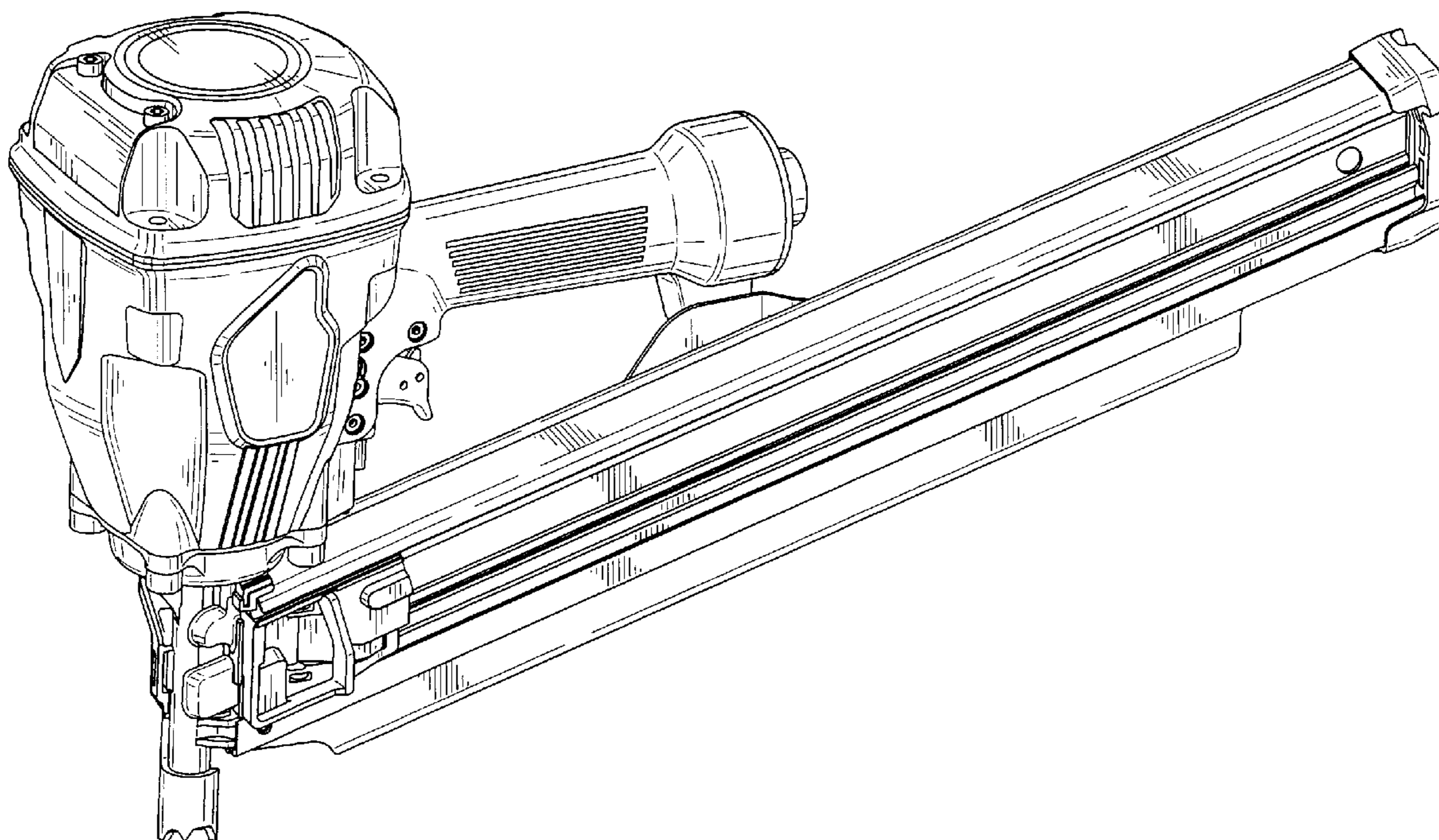
FIG. 4 is a left side view thereof;

FIG. 5 is a right side view thereof;

FIG. 6 is a top plan view thereof; and,

FIG. 7 is a bottom view thereof.

1 Claim, 5 Drawing Sheets



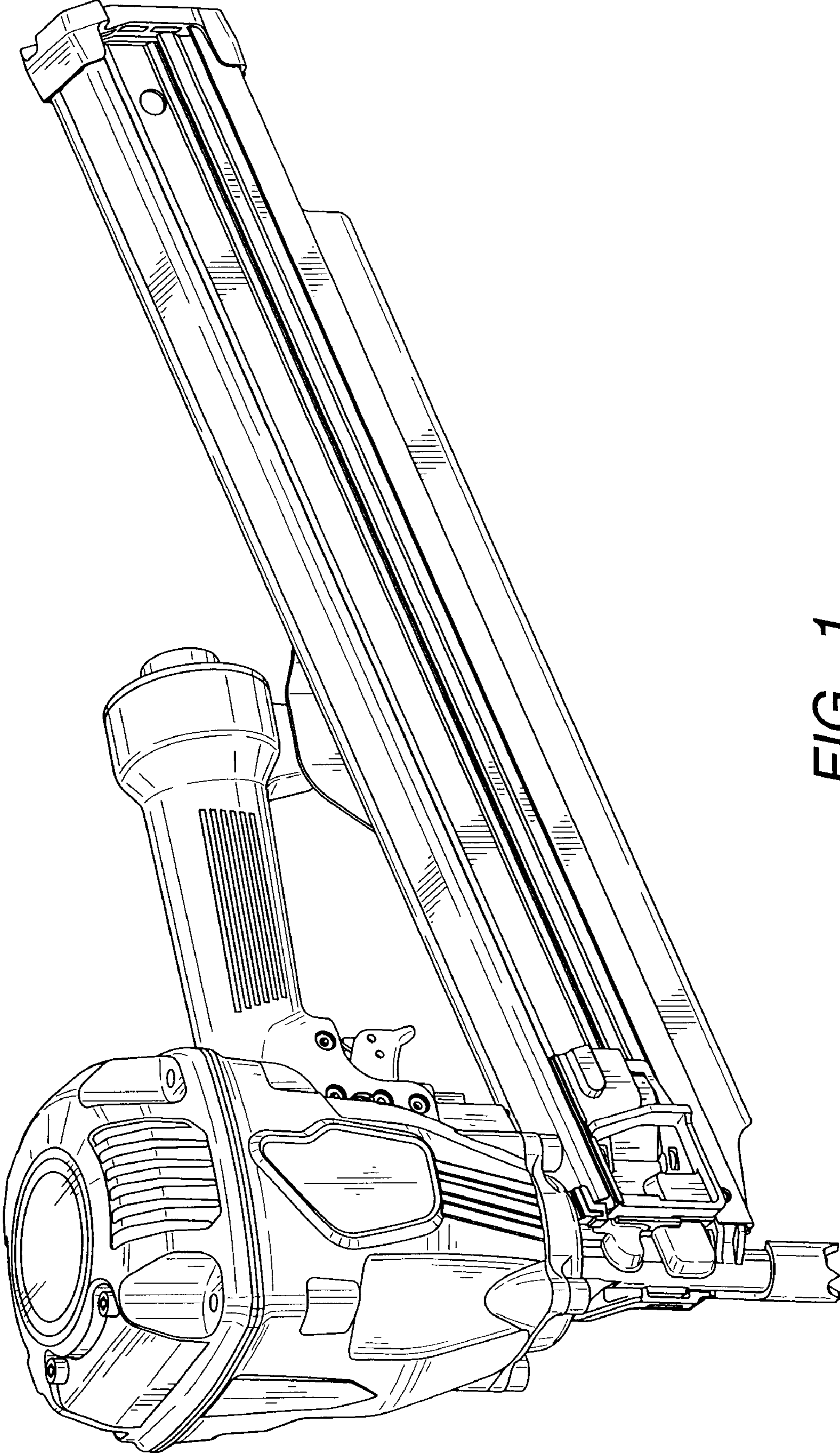


FIG. 1

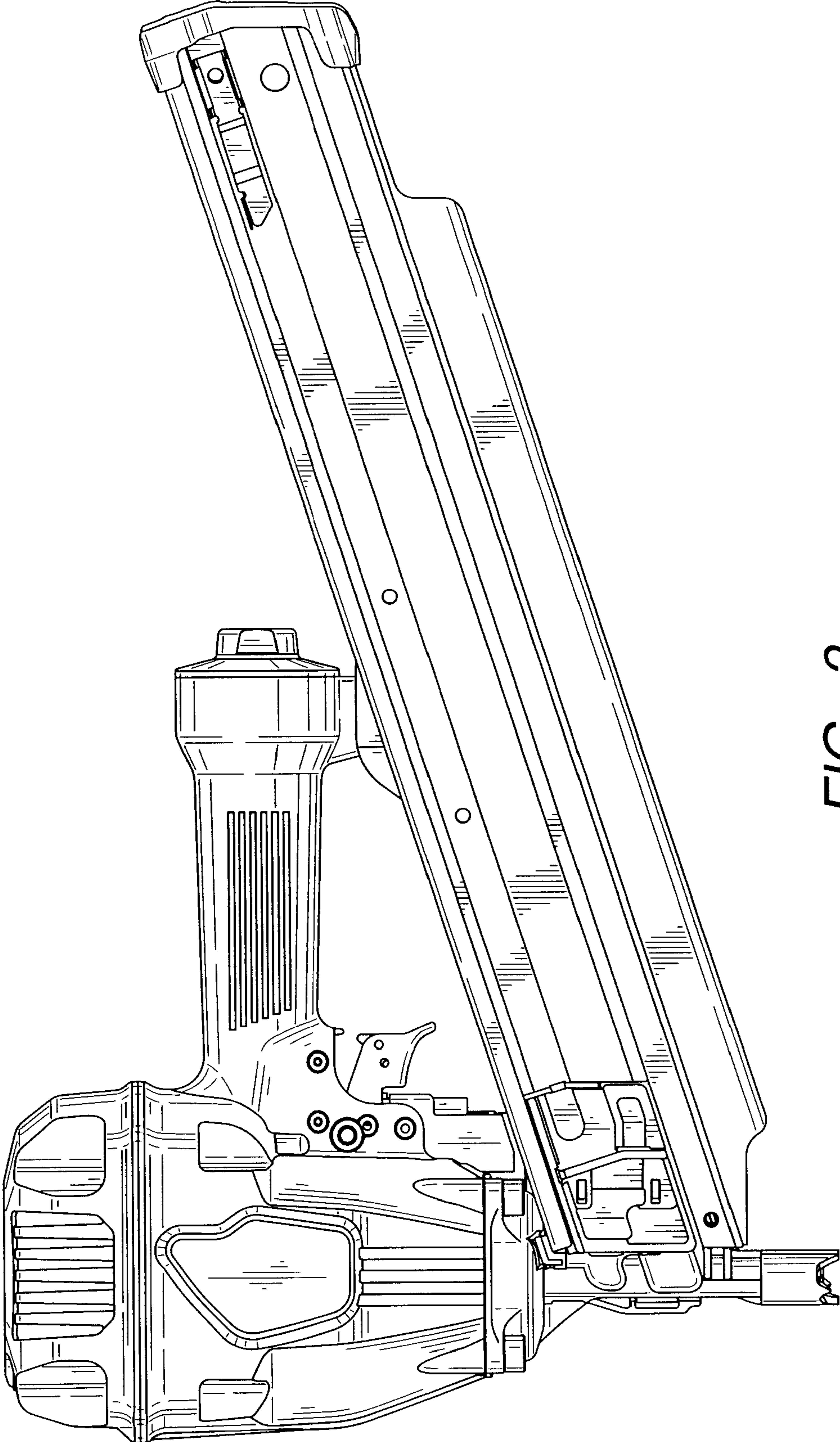


FIG. 2

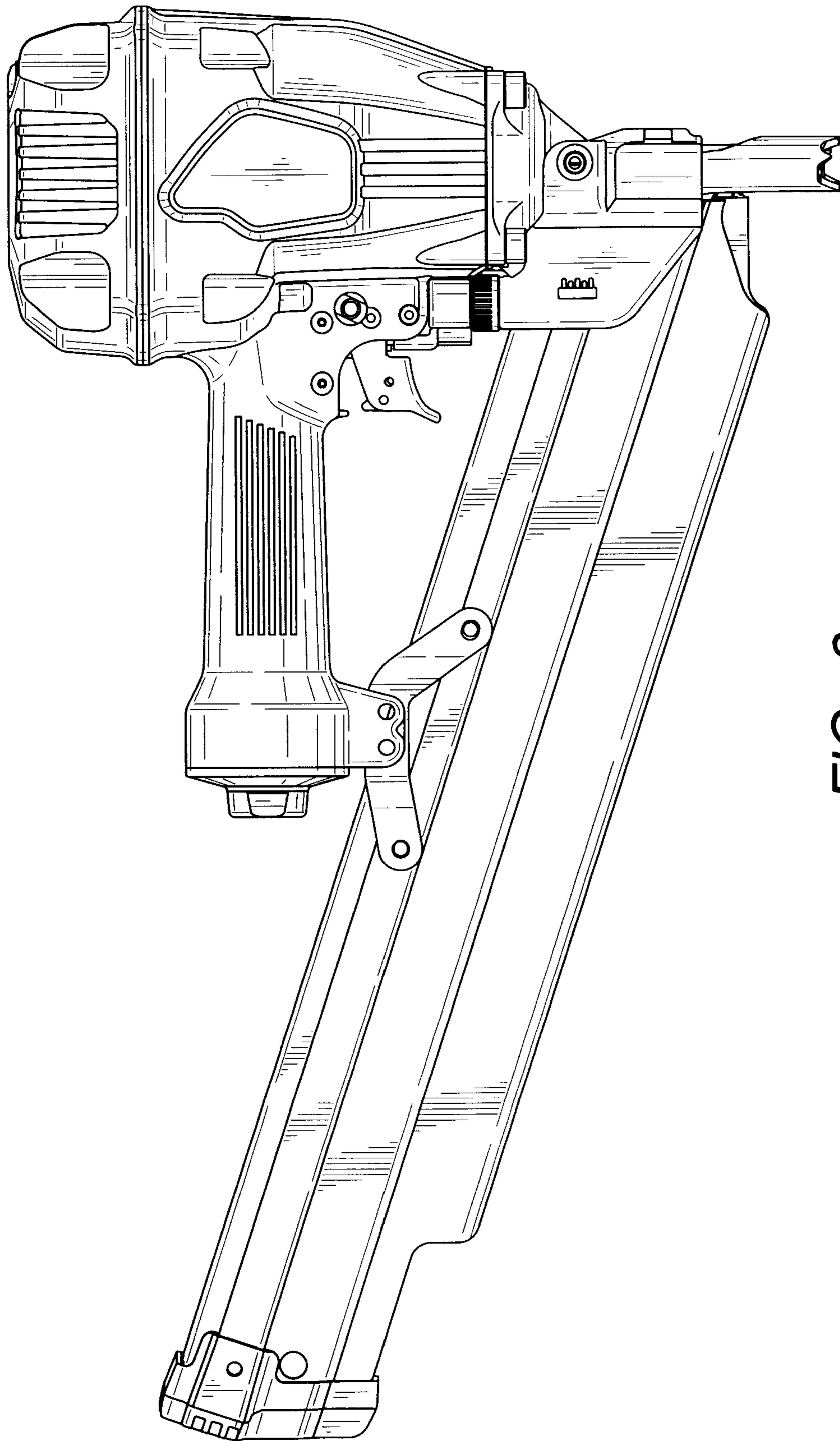


FIG. 3

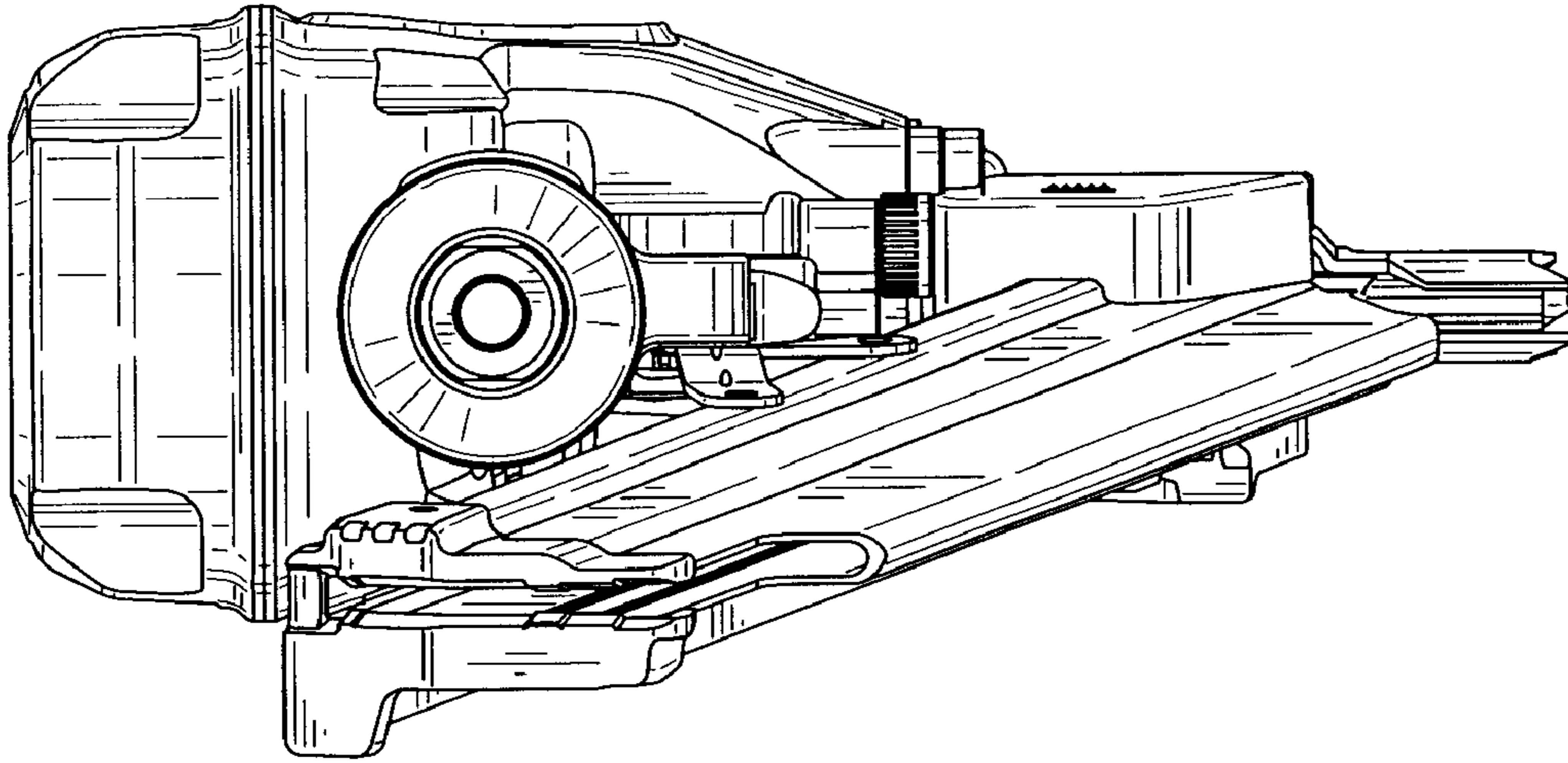


FIG. 5

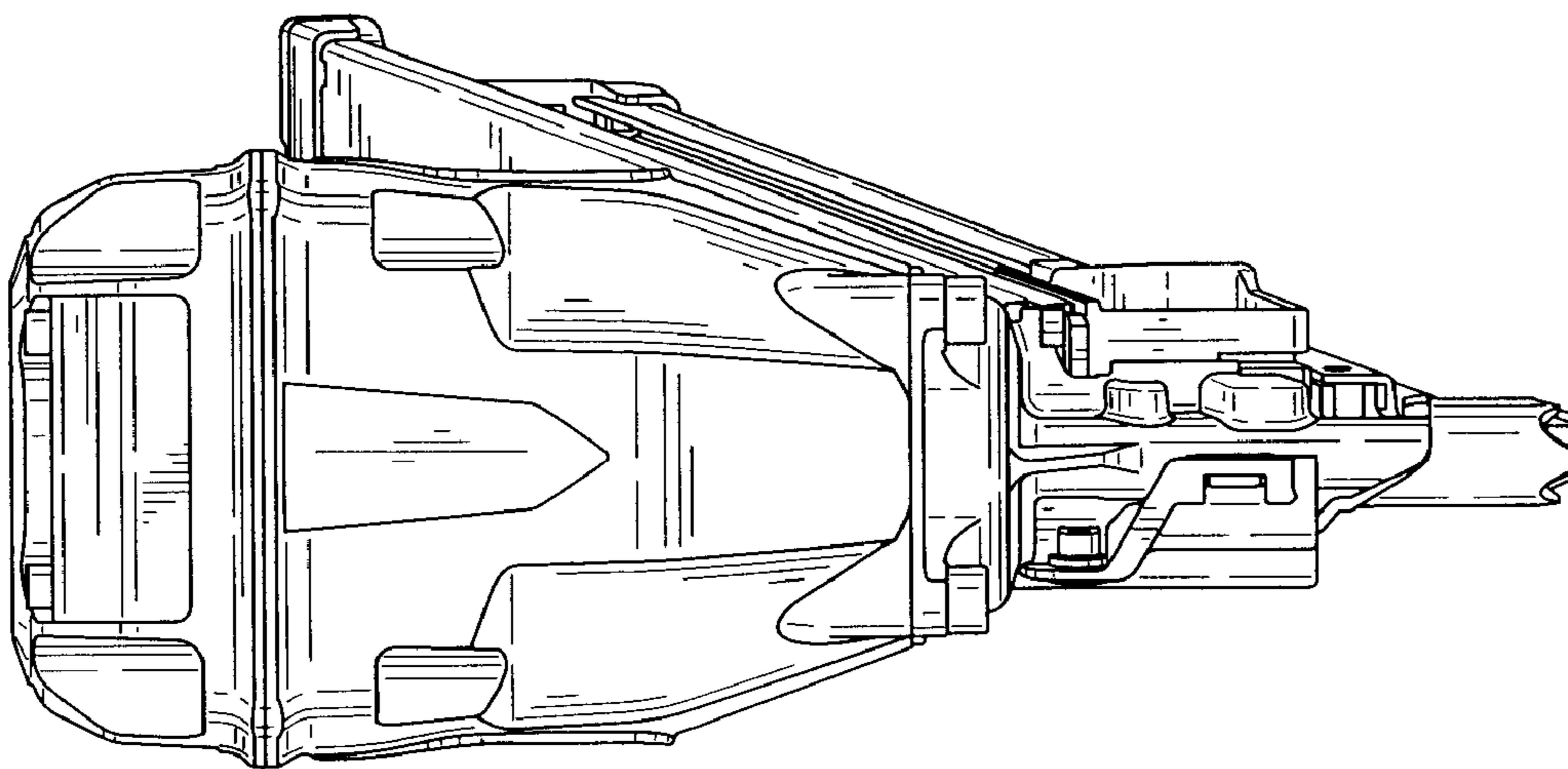


FIG. 4

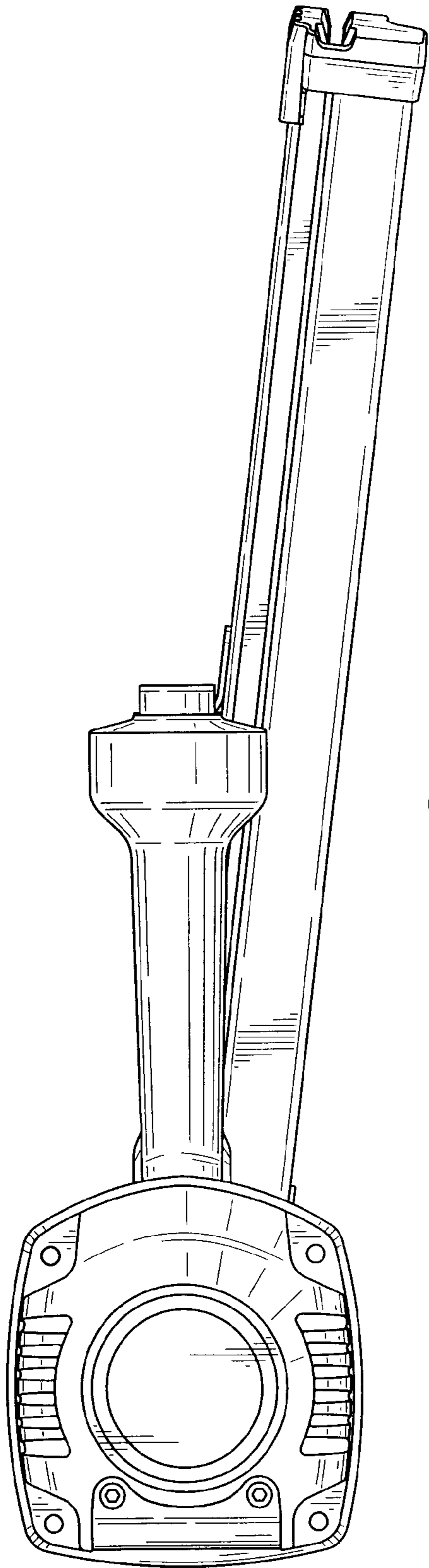


FIG. 6

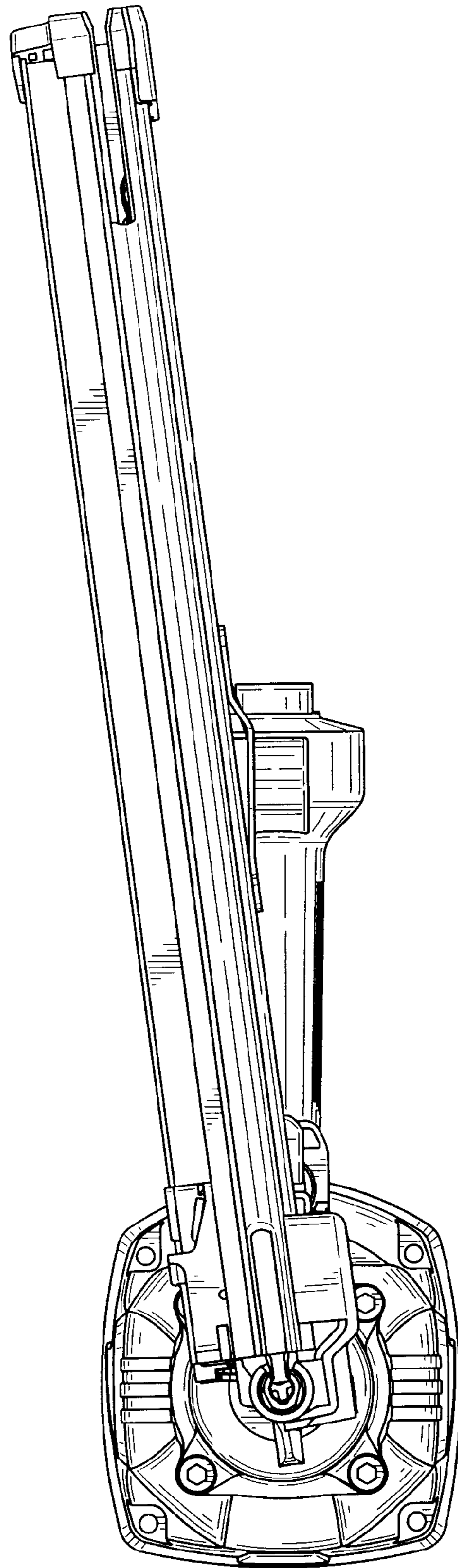


FIG. 7