

US00D520837S

(12) **United States Design Patent**  
**Tsuzuki et al.**

(10) **Patent No.:** **US D520,837 S**

(45) **Date of Patent:** **\*\* May 16, 2006**

(54) **PORTABLE ELECTRIC HAMMER**

(75) Inventors: **Hitoshi Tsuzuki**, Hitachinaka (JP);  
**Masato Sakai**, Hitachinaka (JP);  
**Takeshi Taniguchi**, Hitachinaka (JP);  
**Atsuyuki Kikuchi**, Hitachinaka (JP)

(73) Assignee: **Hitachi Koki Co., Ltd.**, Tokyo (JP)

(\*\*) Term: **14 Years**

(21) Appl. No.: **29/230,802**

(22) Filed: **May 27, 2005**

(30) **Foreign Application Priority Data**

Nov. 30, 2004 (JP) ..... 2004-036618

(51) **LOC (8) Cl.** ..... **08-01**

(52) **U.S. Cl.** ..... **D8/69**

(58) **Field of Classification Search** ..... D8/14.1,  
D8/61, 62, 63, 64, 65, 66, 67, 68, 69, 70;  
81/57.11, 429, 464, 465, 466, 469, 489; 173/13,  
173/169, 178, 213, 217, 114, 201, 211; 227/8,  
227/114, 120, 130, 136, 142; 408/20, 124,  
408/125, 234, 241 R; 451/358; 310/50

See application file for complete search history.

(56) **References Cited**

**U.S. PATENT DOCUMENTS**

3,022,769 A \* 2/1962 Amundsen et al. .... 173/169  
4,260,916 A \* 4/1981 Theissig ..... 310/50  
4,366,403 A \* 12/1982 Simpson et al. .... 310/50  
4,967,888 A \* 11/1990 Lippacher et al. .... 173/178  
D349,029 S \* 7/1994 Matsunaga et al. .... D8/69  
D361,252 S \* 8/1995 De Neergaard et al. .... D8/69  
D380,132 S \* 6/1997 Matsunaga et al. .... D8/69

D386,379 S \* 11/1997 Kasuya ..... D8/69  
D395,586 S \* 6/1998 Arakawa et al. .... D8/69  
6,127,751 A \* 10/2000 Kristen et al. .... 310/50  
6,155,356 A \* 12/2000 Kikuchi et al. .... 173/211  
D466,780 S \* 12/2002 Stirm ..... D8/69  
D477,206 S \* 7/2003 Sakai et al. .... D8/69  
6,705,410 B1 \* 3/2004 Ziegler ..... 173/178  
D503,078 S \* 3/2005 Sakai et al. .... D8/69  
6,907,942 B1 \* 6/2005 Kikuchi et al. .... 173/114  
6,938,705 B1 \* 9/2005 Kikuchi ..... 173/201  
2003/0155142 A1 \* 8/2003 Kikuchi et al. .... 173/114  
2004/0112615 A1 \* 6/2004 Mayr et al. .... 173/217  
2005/0145403 A1 \* 7/2005 Kikuchi ..... 173/201

**FOREIGN PATENT DOCUMENTS**

GB 3001470 S \* 2/2002

\* cited by examiner

*Primary Examiner*—Gary D. Watson

*Assistant Examiner*—T. Chase Nelson

(74) *Attorney, Agent, or Firm*—Sughrue Mion, PLLC

(57) **CLAIM**

The ornamental design for a portable electric hammer, as shown.

**DESCRIPTION**

FIG. 1 is a perspective view of the top, front and left side of a portable electric hammer showing our new design;

FIG. 2 is a front elevational view thereof;

FIG. 3 is a rear elevational view thereof;

FIG. 4 is a top plan view thereof;

FIG. 5 is a bottom plan view thereof;

FIG. 6 is a left side elevational view thereof; and,

FIG. 7 is a right side elevational view thereof.

**1 Claim, 3 Drawing Sheets**

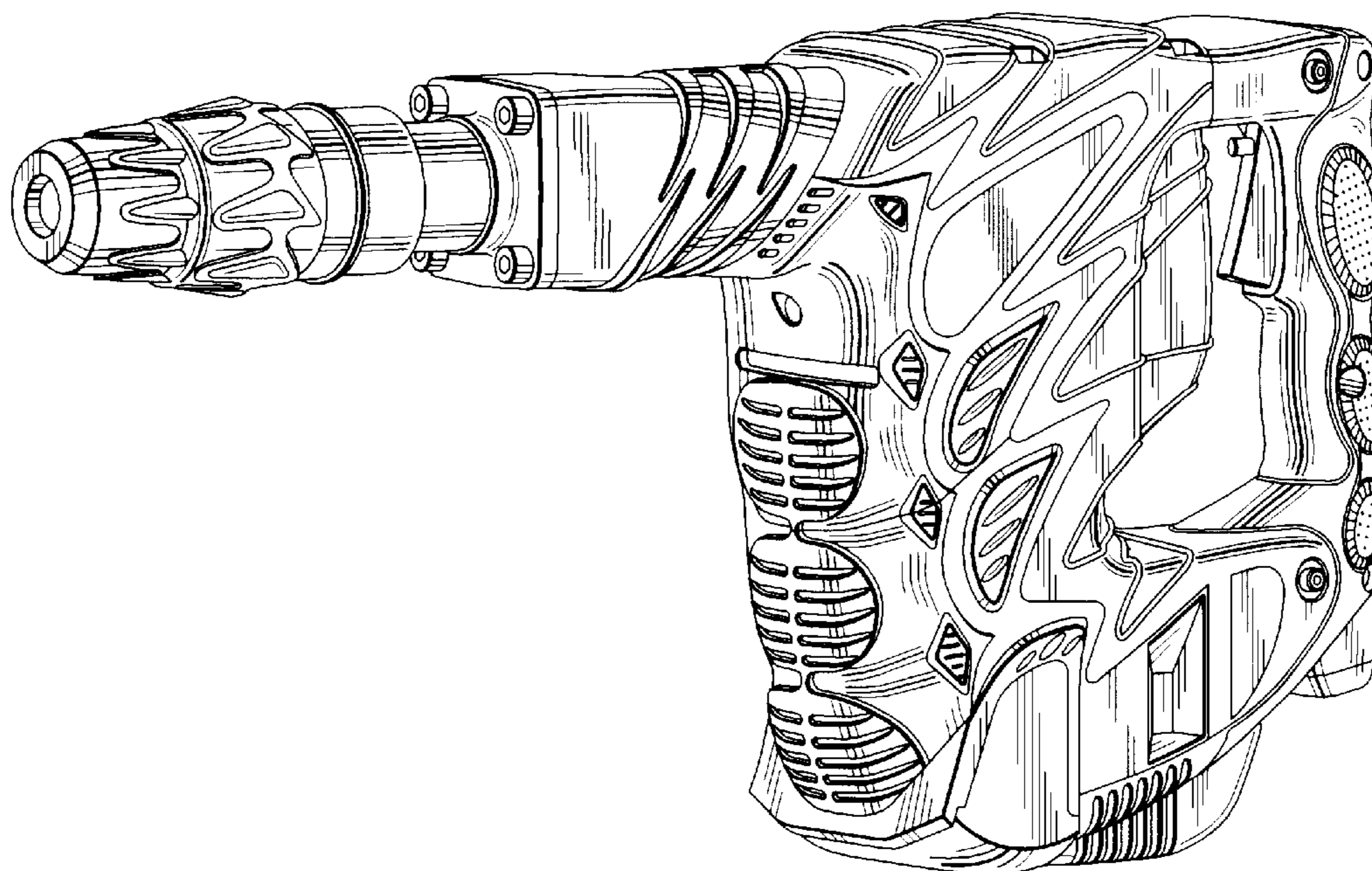


FIG. 1

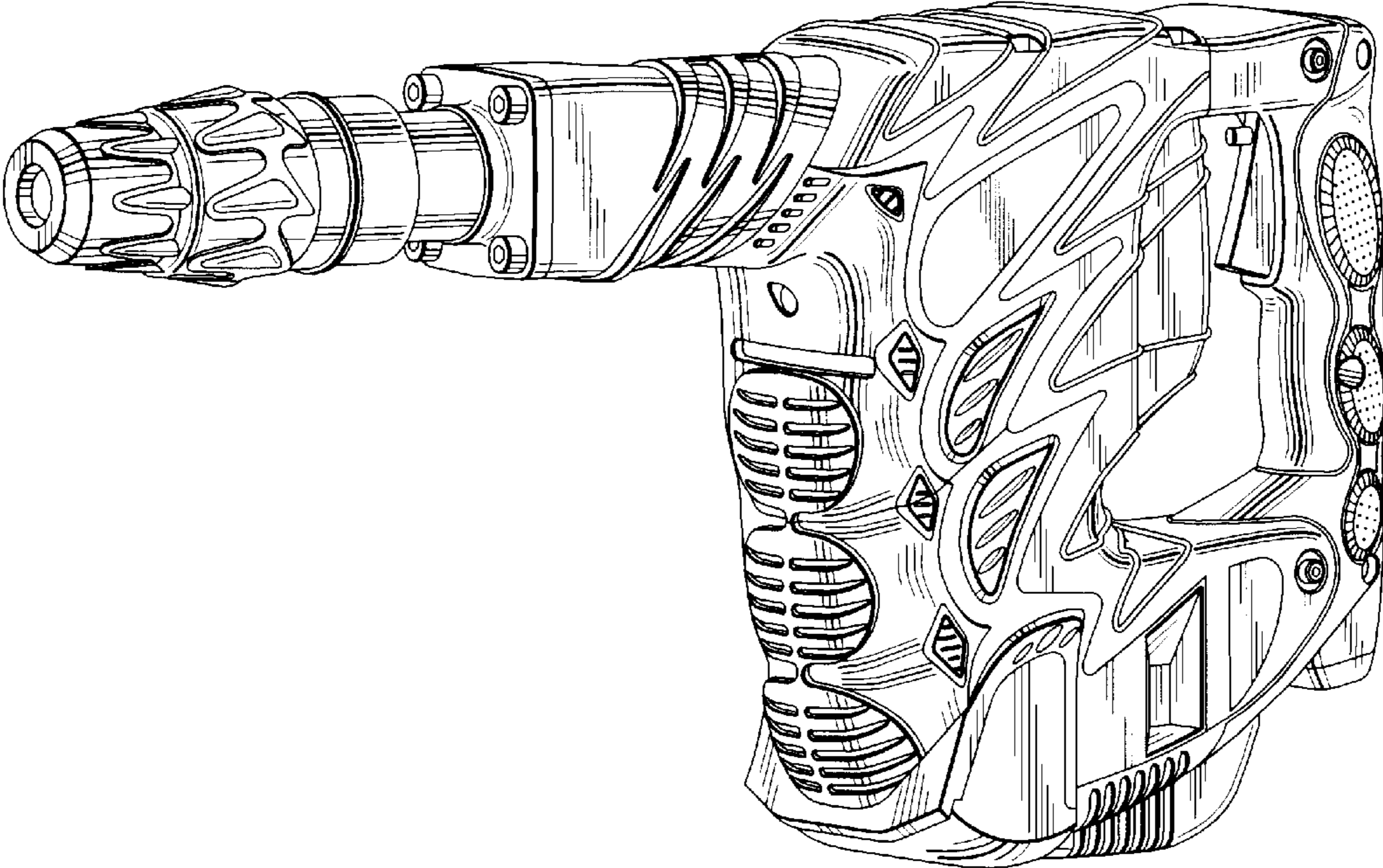


FIG.2

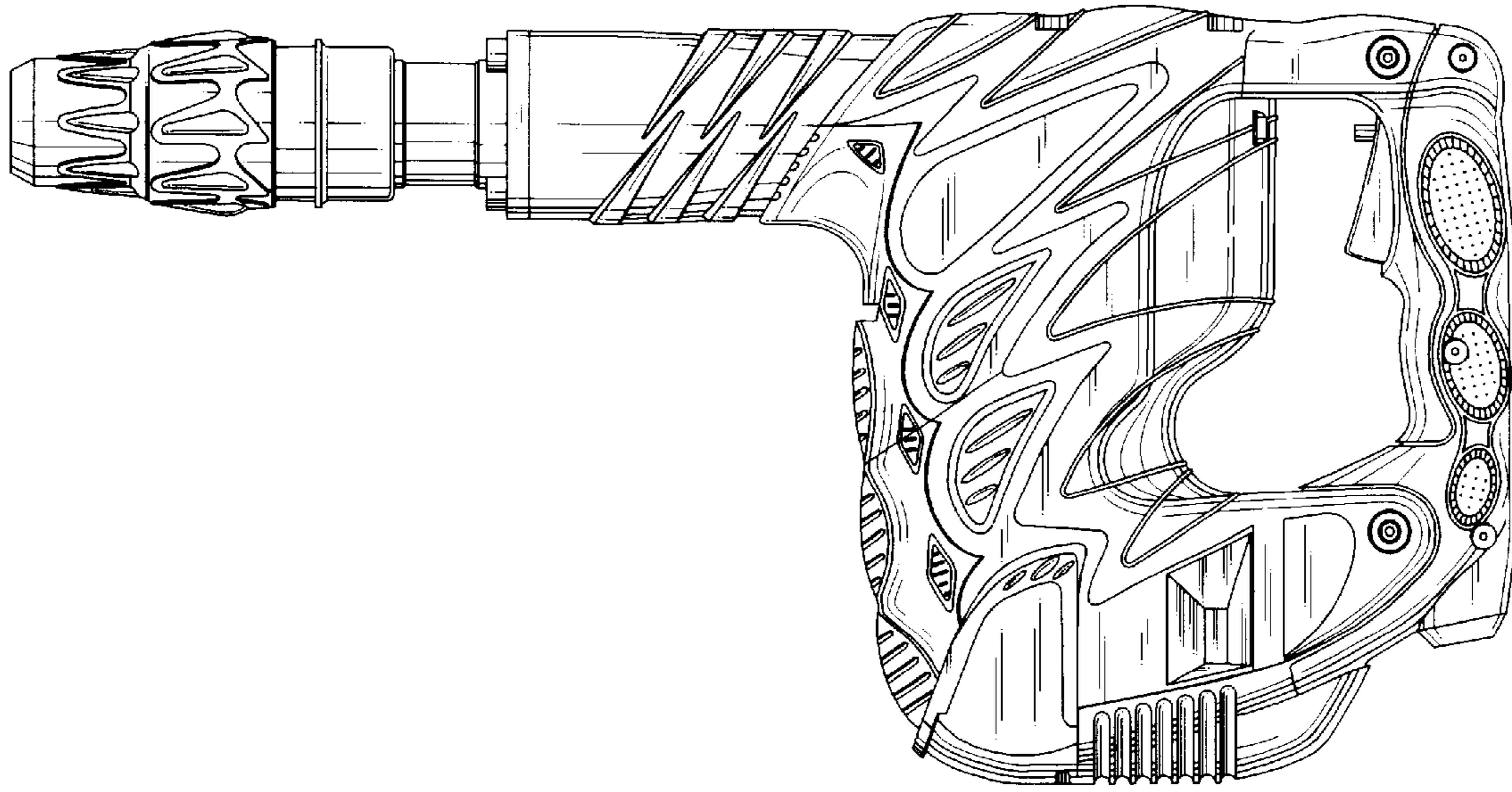


FIG.3

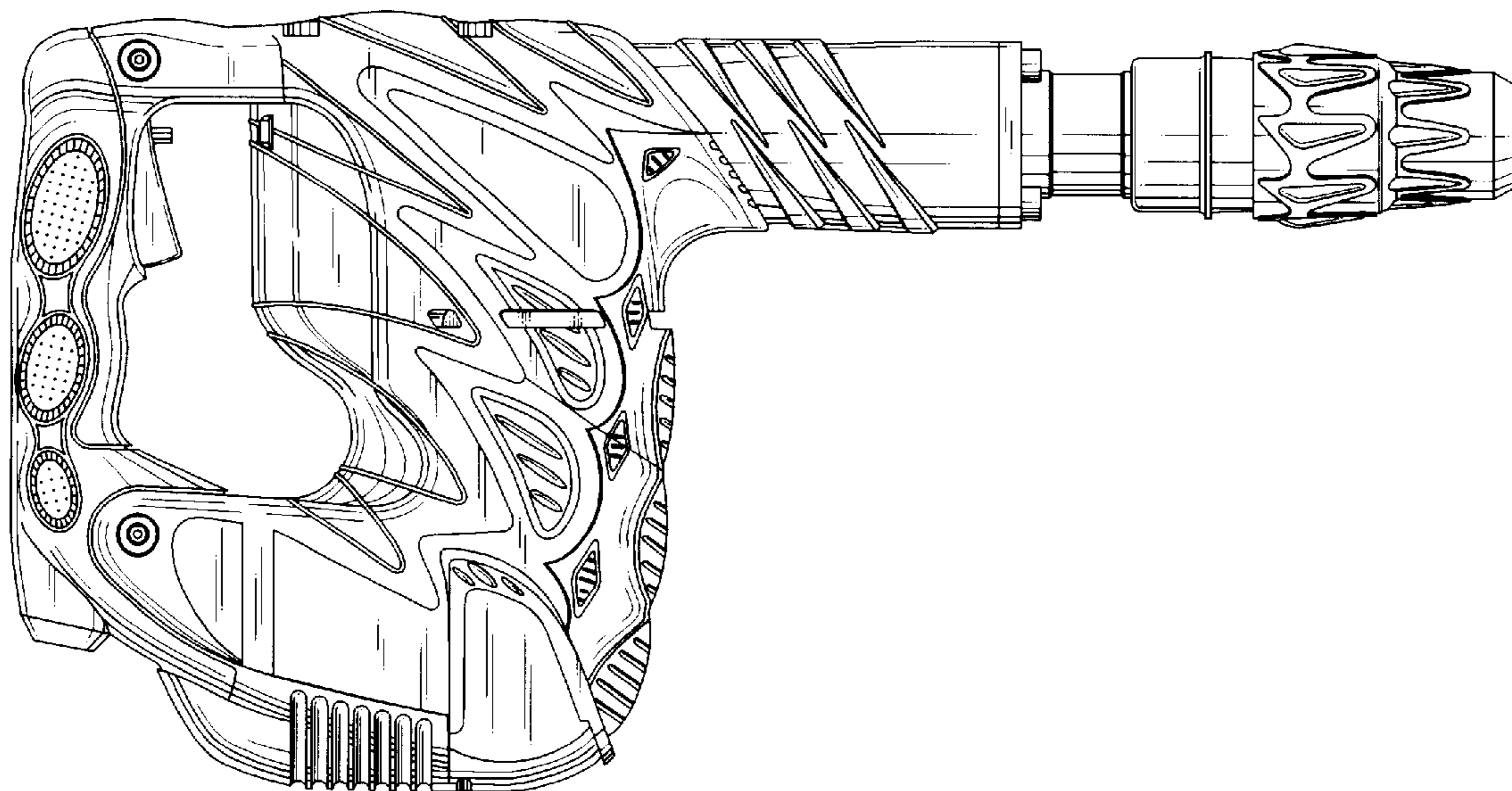


FIG.4

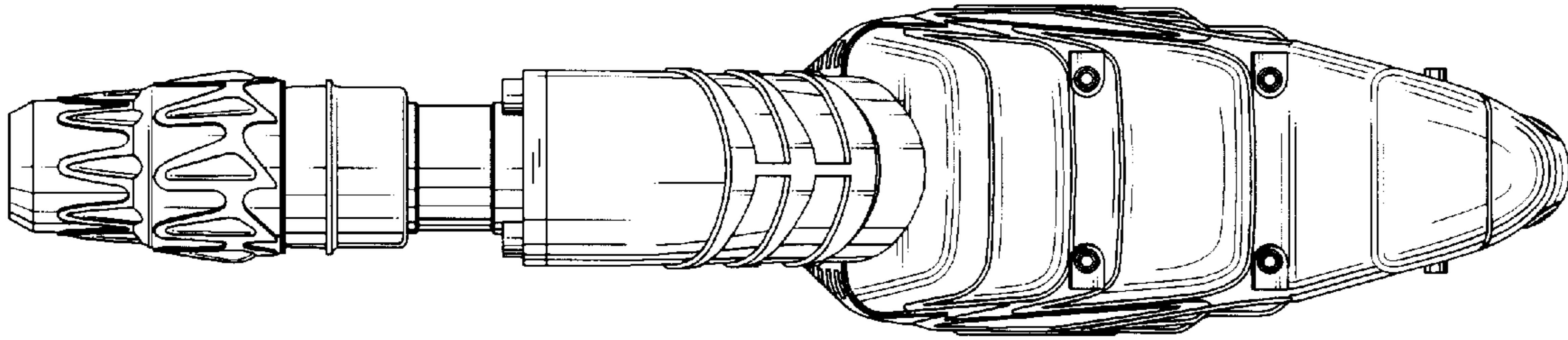


FIG.5

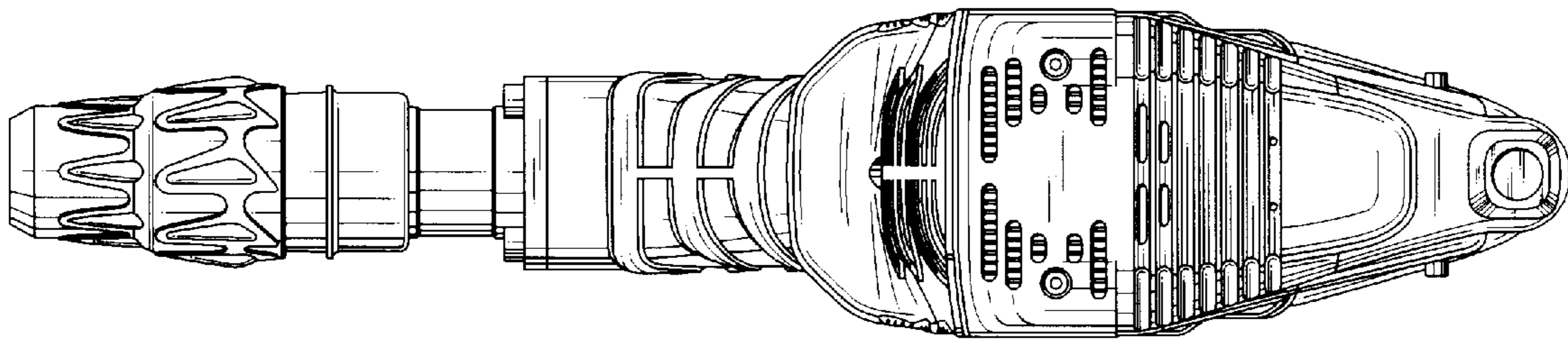


FIG.6

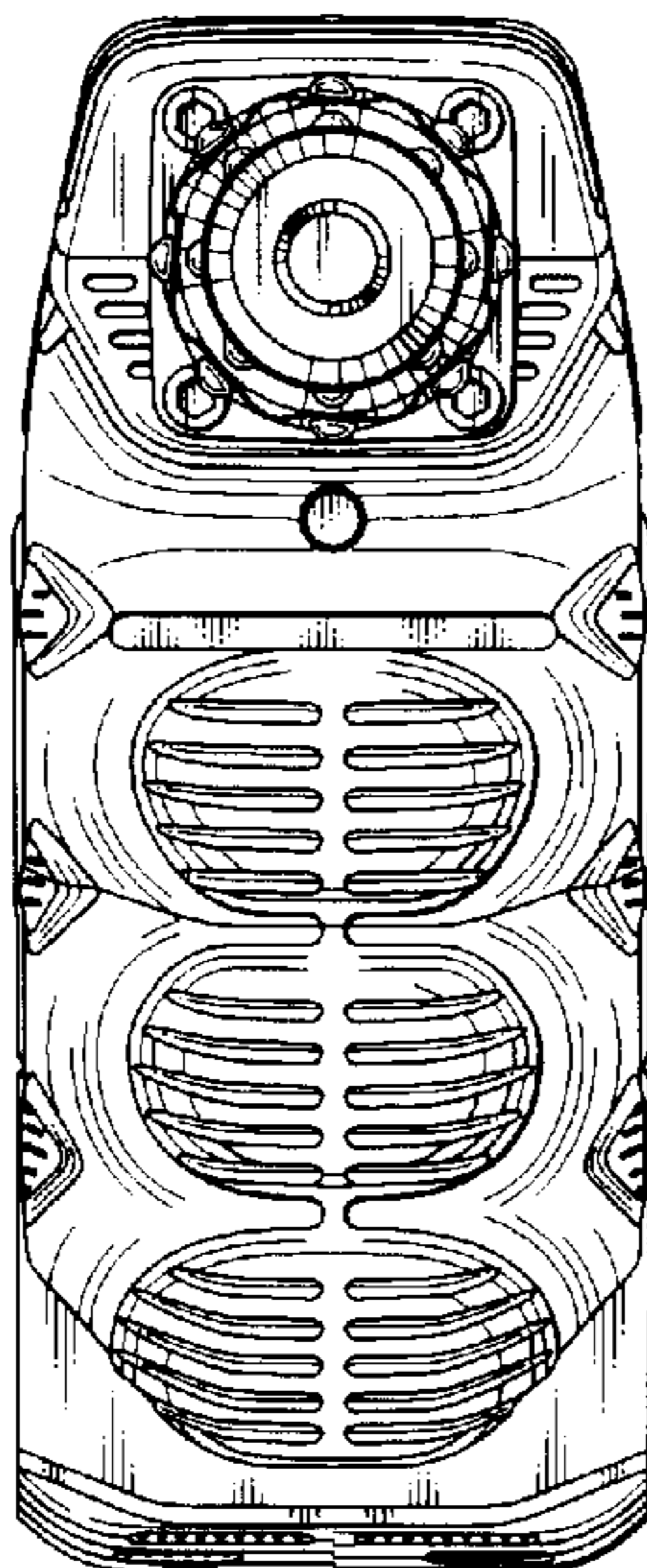


FIG.7

