



US00D520836S

(12) **United States Design Patent**
Wu

(10) **Patent No.:** **US D520,836 S**

(45) **Date of Patent:** **** May 16, 2006**

(54) **DRILL**

(75) Inventor: **Shuming Wu**, Nanjing (CN)

(73) Assignee: **Nanjing Chervon Industry Co., Ltd.**,
Jiangsu (CN)

(**) Term: **14 Years**

(21) Appl. No.: **29/236,480**

(22) Filed: **Aug. 17, 2005**

(30) **Foreign Application Priority Data**

Mar. 9, 2005 (CN) 2005 3 0081094

(51) **LOC (8) Cl.** **08-01**

(52) **U.S. Cl.** **D8/68**

(58) **Field of Classification Search** D8/14.1,
D8/61, 62, 63, 64, 65, 66, 67, 68, 69, 70;
81/57.11, 429, 464, 465, 466, 469, 489; 173/13,
173/169, 178, 213, 217, 114, 201, 211; 227/8,
227/114, 120, 130, 136, 142; 408/20, 124,
408/125, 234, 241 R; 451/358; 310/50
See application file for complete search history.

(56) **References Cited**

U.S. PATENT DOCUMENTS

D382,457 S * 8/1997 Ghode et al. D8/68
5,918,685 A * 7/1999 Ulbrich et al. 173/217
D419,413 S * 1/2000 Heun D8/68
D421,883 S * 3/2000 Watson et al. D8/68
6,043,575 A * 3/2000 Ghode et al. 310/50
D460,673 S * 7/2002 Heun D8/68

D460,674 S * 7/2002 Heun D8/68
D462,592 S * 9/2002 Cooper D8/68
D467,483 S * 12/2002 Heun D8/68
6,552,904 B1 * 4/2003 Fung 173/217
D494,034 S * 8/2004 Cheung D8/68
D501,385 S * 2/2005 Cheung et al. D8/68

FOREIGN PATENT DOCUMENTS

GB 2104249 S * 3/2001
GB 3001146 S * 1/2002

* cited by examiner

Primary Examiner—Gary D. Watson

Assistant Examiner—T. Chase Nelson

(74) *Attorney, Agent, or Firm*—Butzel Long

(57) **CLAIM**

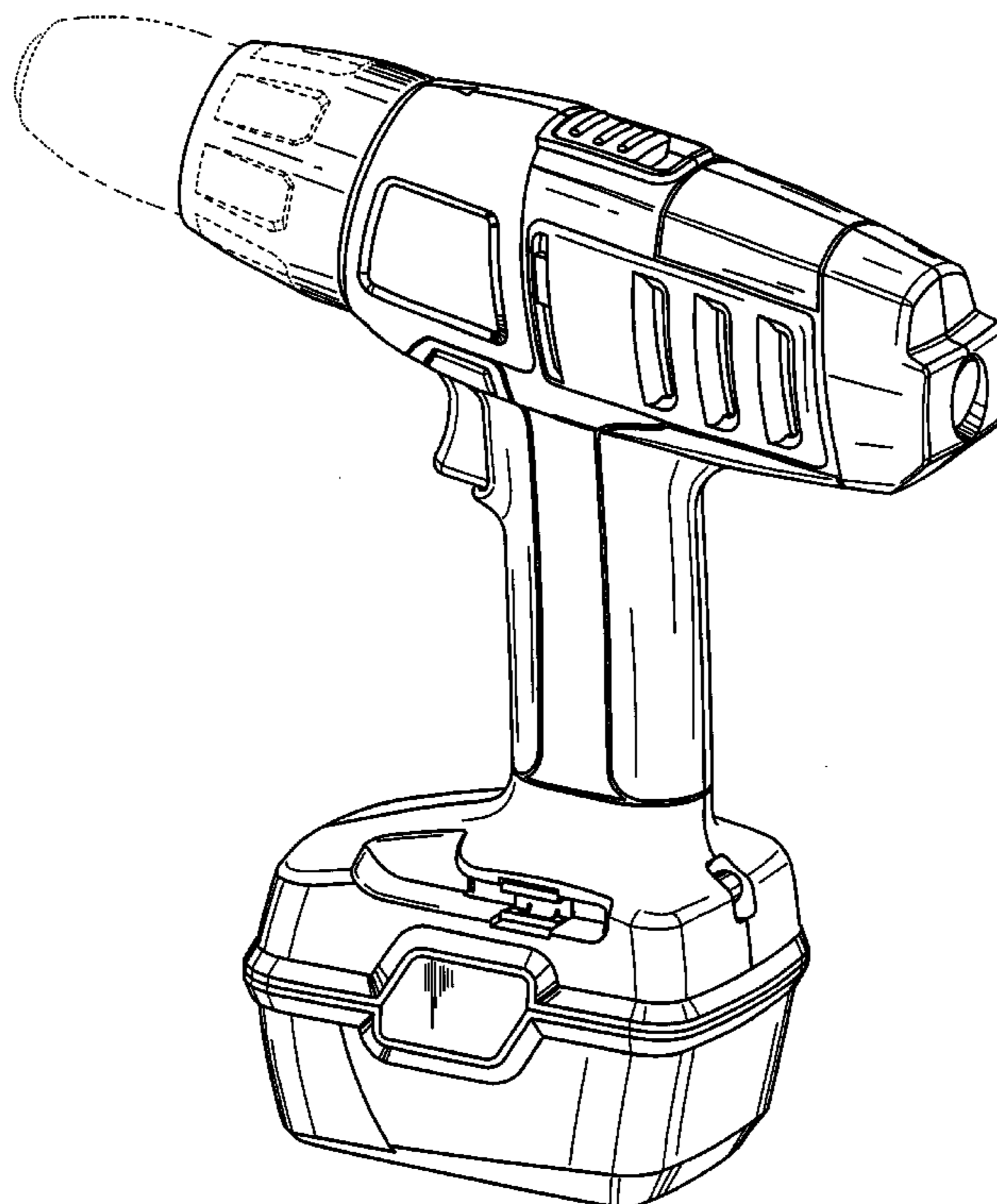
The ornamental design for a drill, as shown and described.

DESCRIPTION

FIG. 1 is a front elevational view of the design;
FIG. 2 is a rear elevational view of the drill in FIG. 1;
FIG. 3 is a bottom plan view of the drill in FIG. 1;
FIG. 4 is a top plan view of the drill in FIG. 1;
FIG. 5 is a right side elevational view of the drill in FIG. 1;
FIG. 6 is a left side elevational view of the drill in FIG. 1;
and,
FIG. 7 is a perspective view of the drill of FIG. 1.

The broken line showing of environmental structure is for illustrative purposes only and forms no part of the claimed design.

1 Claim, 6 Drawing Sheets



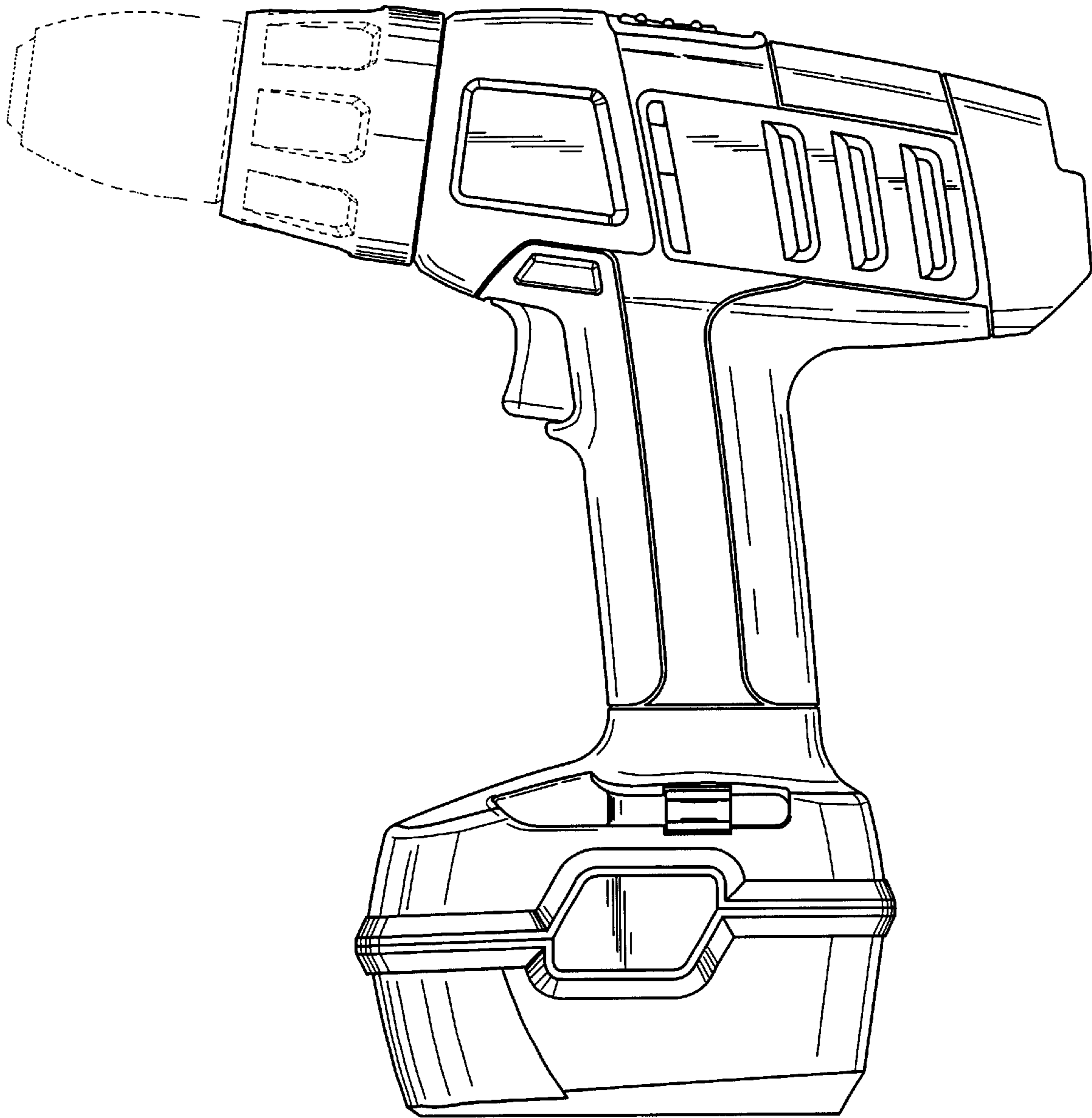


FIG. 1

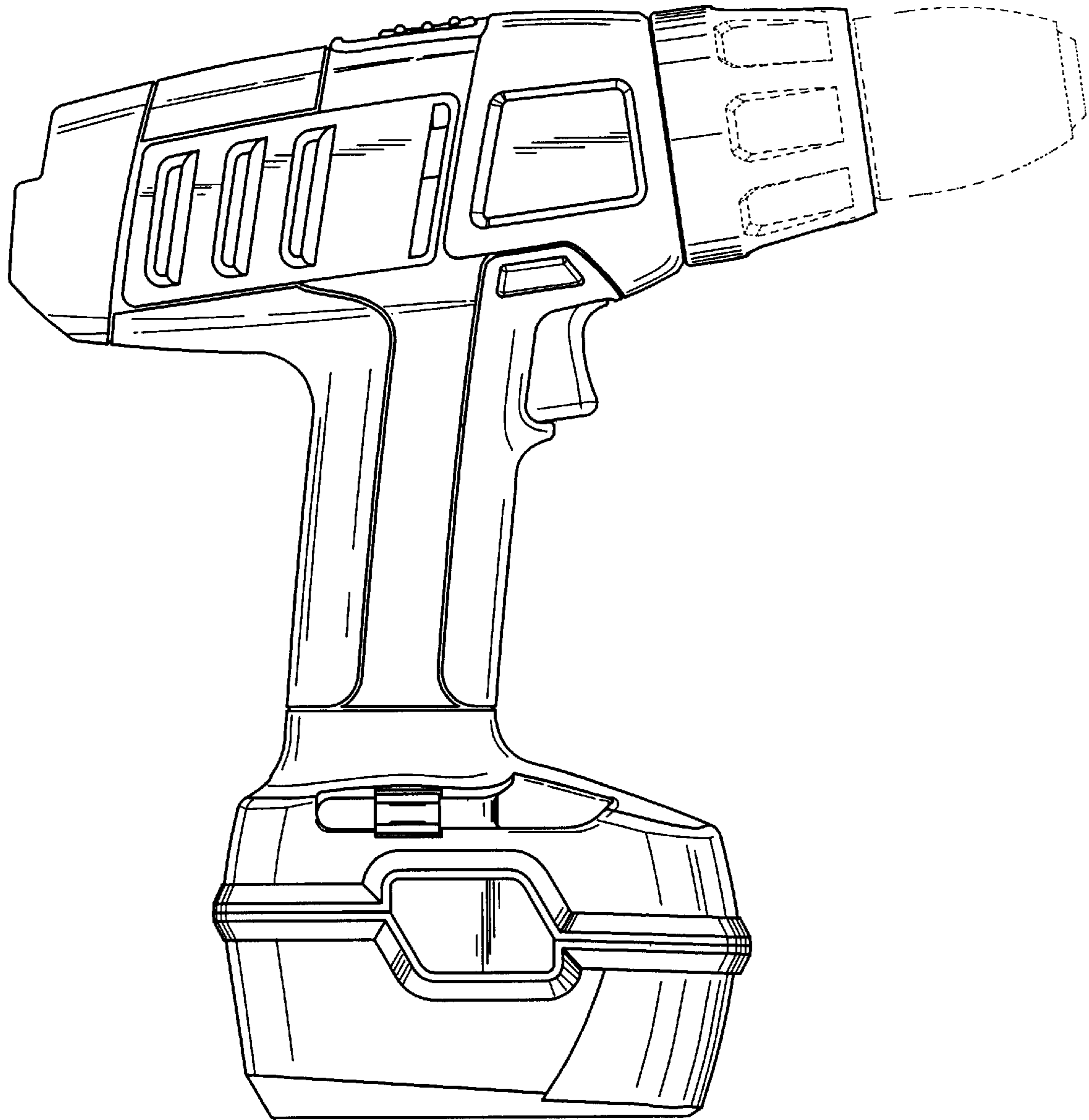


FIG. 2

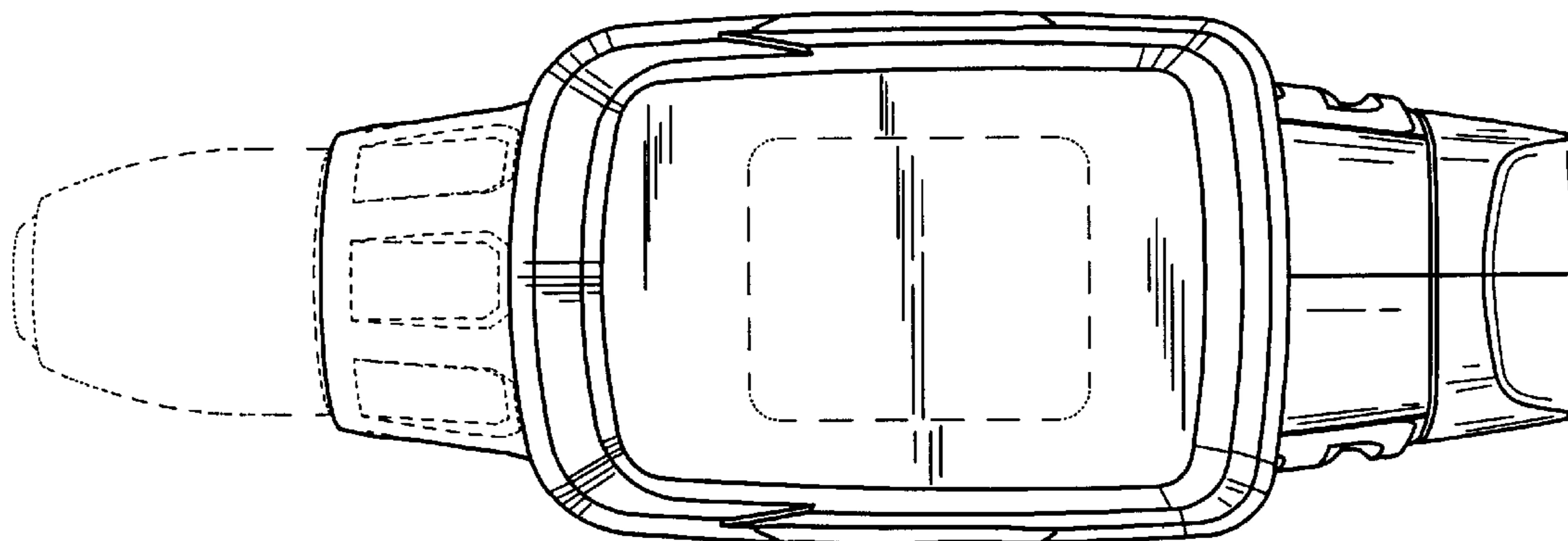


FIG. 3

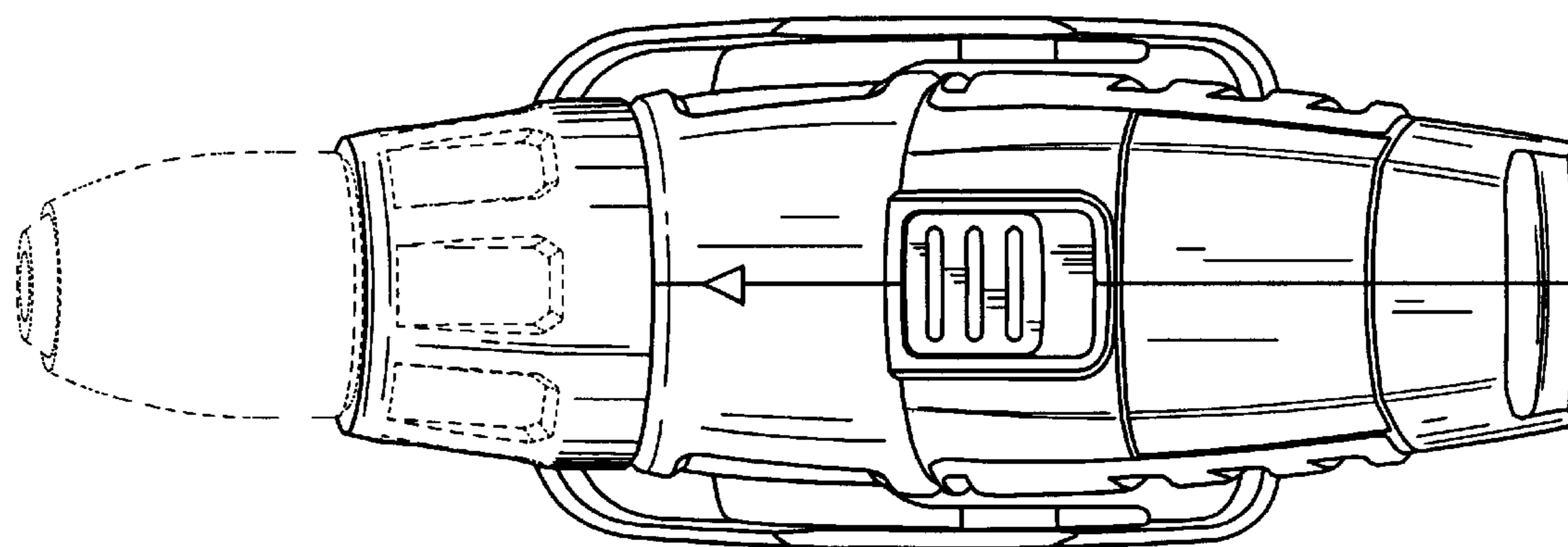


FIG. 4

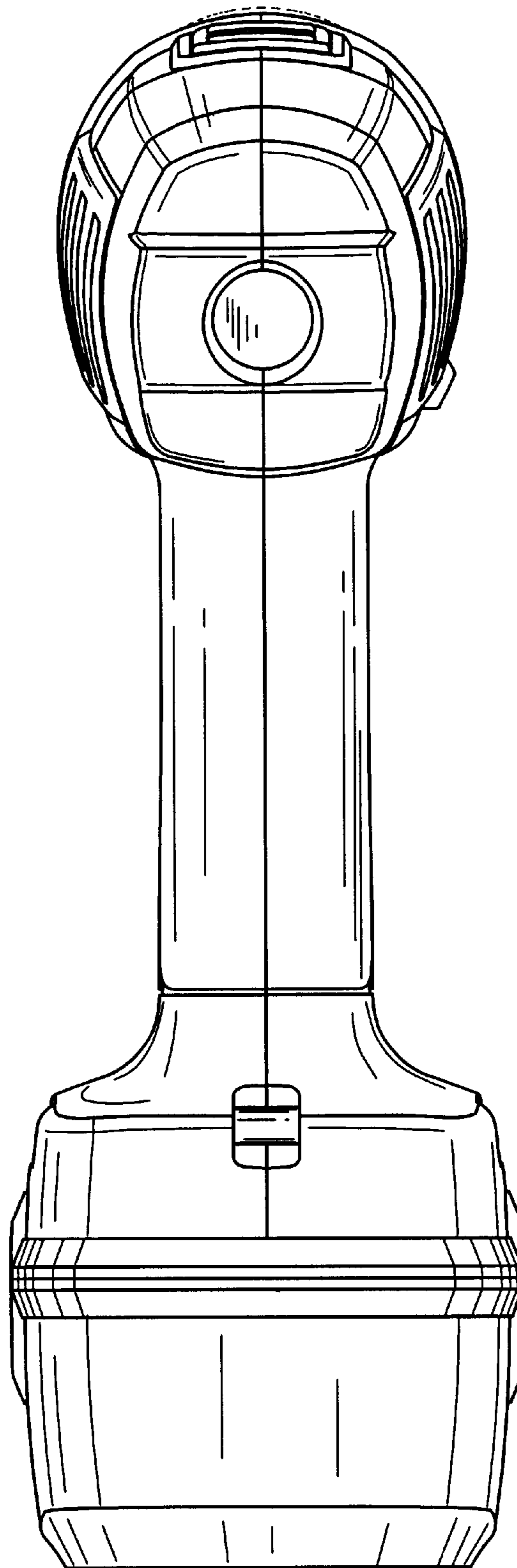


FIG.5

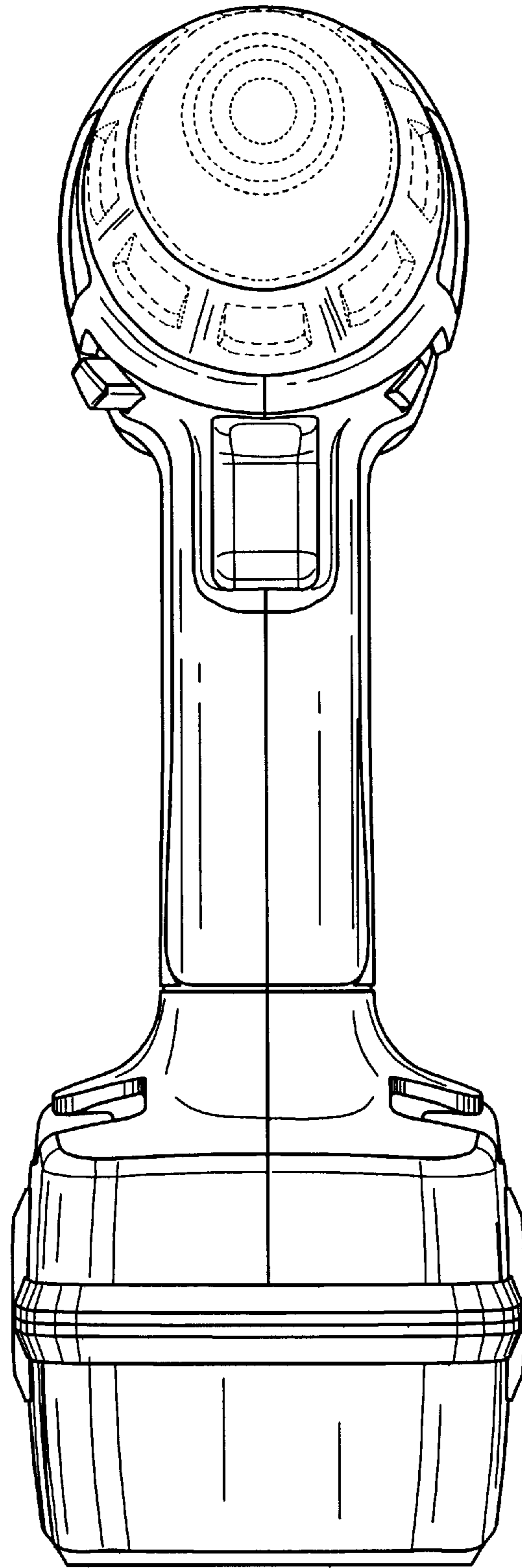


FIG. 6

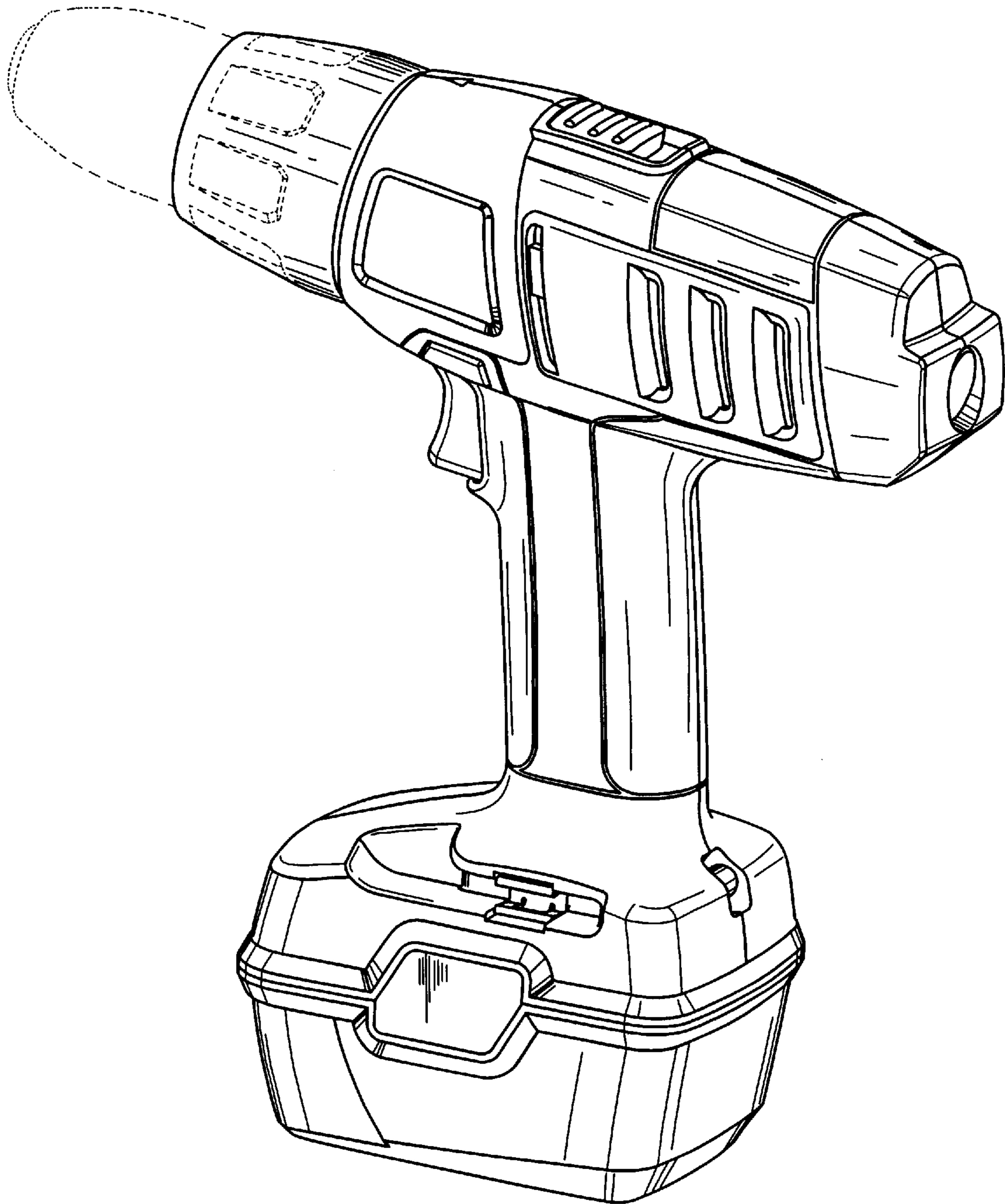


FIG. 7