



US00D520835S

(12) **United States Design Patent**
Aglassinger

(10) **Patent No.:** **US D520,835 S**

(45) **Date of Patent:** **** May 16, 2006**

(54) **ELECTRIC SCREWDRIVER**

(75) Inventor: **Hans-Peter Aglassinger**, Esslingen
(DE)

(73) Assignee: **Robert Bosch GmbH**, Stuttgart (DE)

(**) Term: **14 Years**

(21) Appl. No.: **29/234,957**

(22) Filed: **Jul. 26, 2005**

(30) **Foreign Application Priority Data**

Apr. 25, 2005 (DE) 4 05 02 223

(51) **LOC (8) Cl.** **08-04**

(52) **U.S. Cl.** **D8/68**

(58) **Field of Classification Search** D8/14.1,
D8/61, 62, 63, 64, 65, 66, 67, 68, 69, 70;
81/57.11, 429, 464, 465, 466, 469, 489; 173/13,
173/169, 178, 213, 217, 114, 201, 211; 227/8,
227/114, 120, 130, 136, 142; 408/20, 124,
408/125, 234, 241 R; 451/358; 310/50
See application file for complete search history.

(56) **References Cited**

U.S. PATENT DOCUMENTS

D301,968 S * 7/1989 Kmetz D8/68
D326,598 S * 6/1992 Sakamoto et al. D8/68

D462,592 S * 9/2002 Cooper D8/68
D469,674 S * 2/2003 Chung D8/68
6,552,904 B1 * 4/2003 Fung 361/704
D494,034 S * 8/2004 Cheung D8/68
2004/0188119 A1 * 9/2004 Chen 173/217

FOREIGN PATENT DOCUMENTS

GB 2106271 S * 11/2001

* cited by examiner

Primary Examiner—Gary D. Watson

Assistant Examiner—T. Chase Nelson

(74) *Attorney, Agent, or Firm*—Michael J. Striker

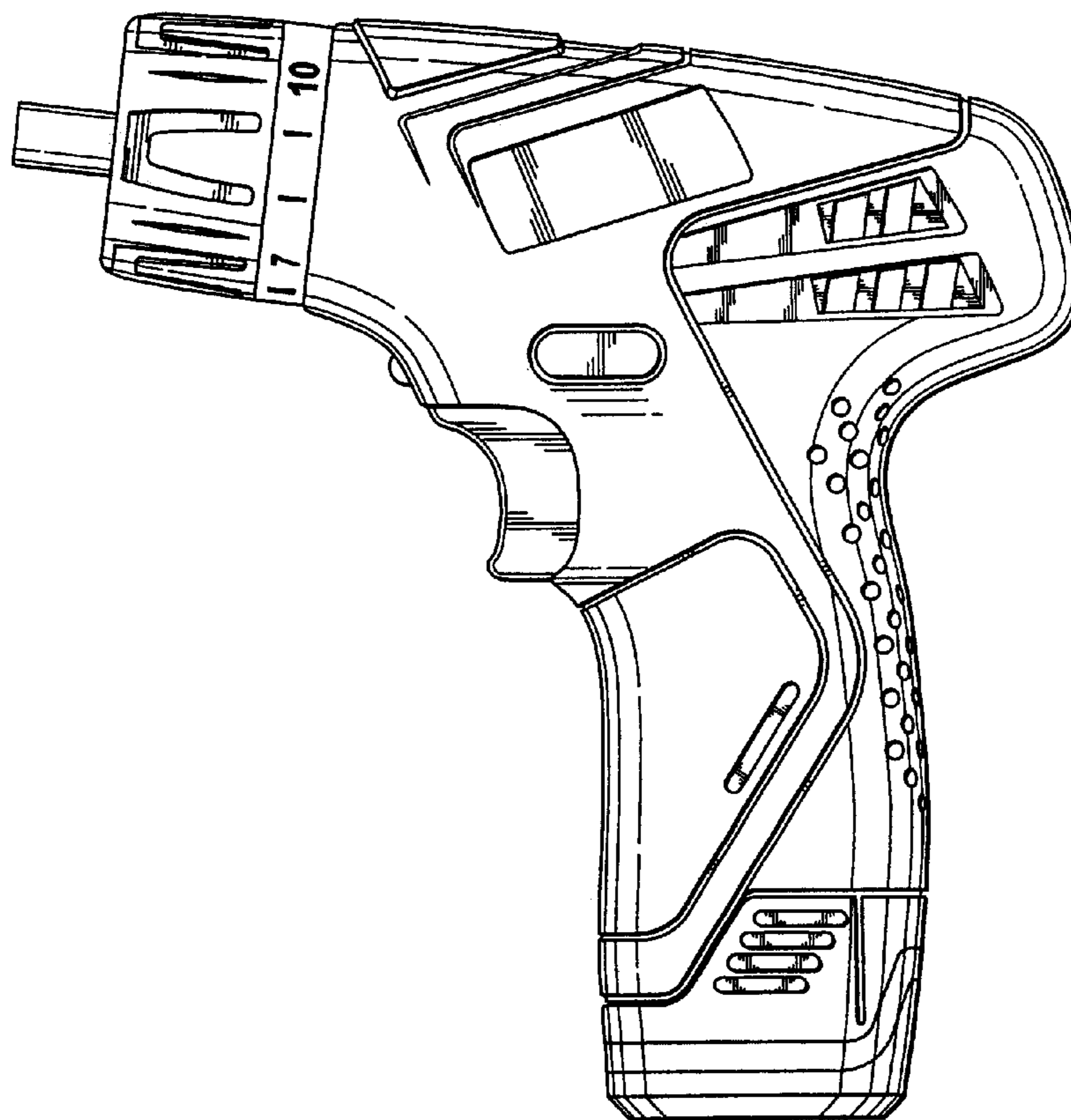
(57) **CLAIM**

The ornamental design for an electric screwdriver, as shown and described.

DESCRIPTION

FIG. 1 is a perspective view of an electric screwdriver showing my new design;
FIG. 2 is a side view thereof;
FIG. 3 is a front view thereof;
FIG. 4 is the opposite side view of FIG. 2;
FIG. 5 is a rear view thereof;
FIG. 6 is a top view thereof; and,
FIG. 7 is a bottom view thereof.

1 Claim, 7 Drawing Sheets



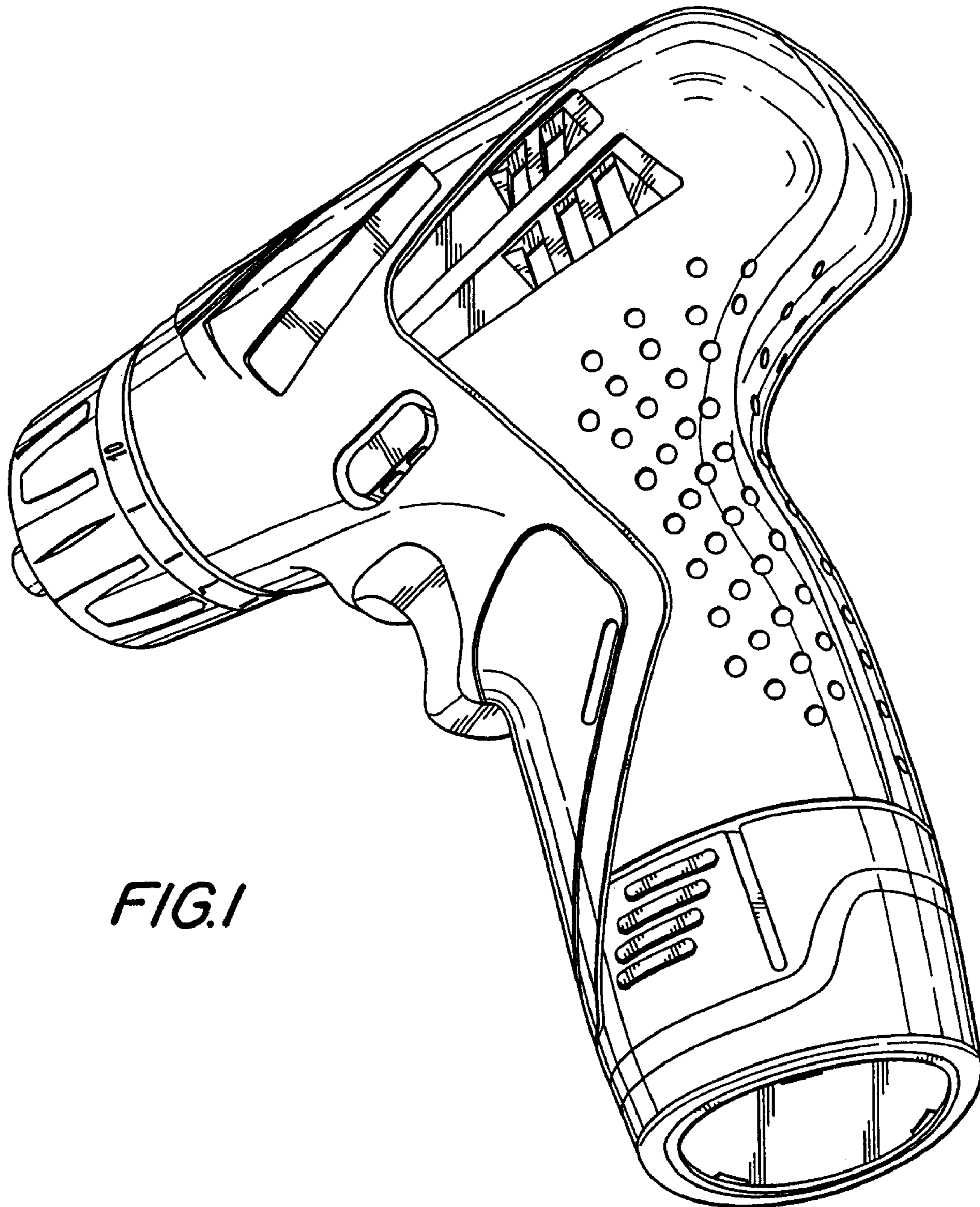


FIG. 1

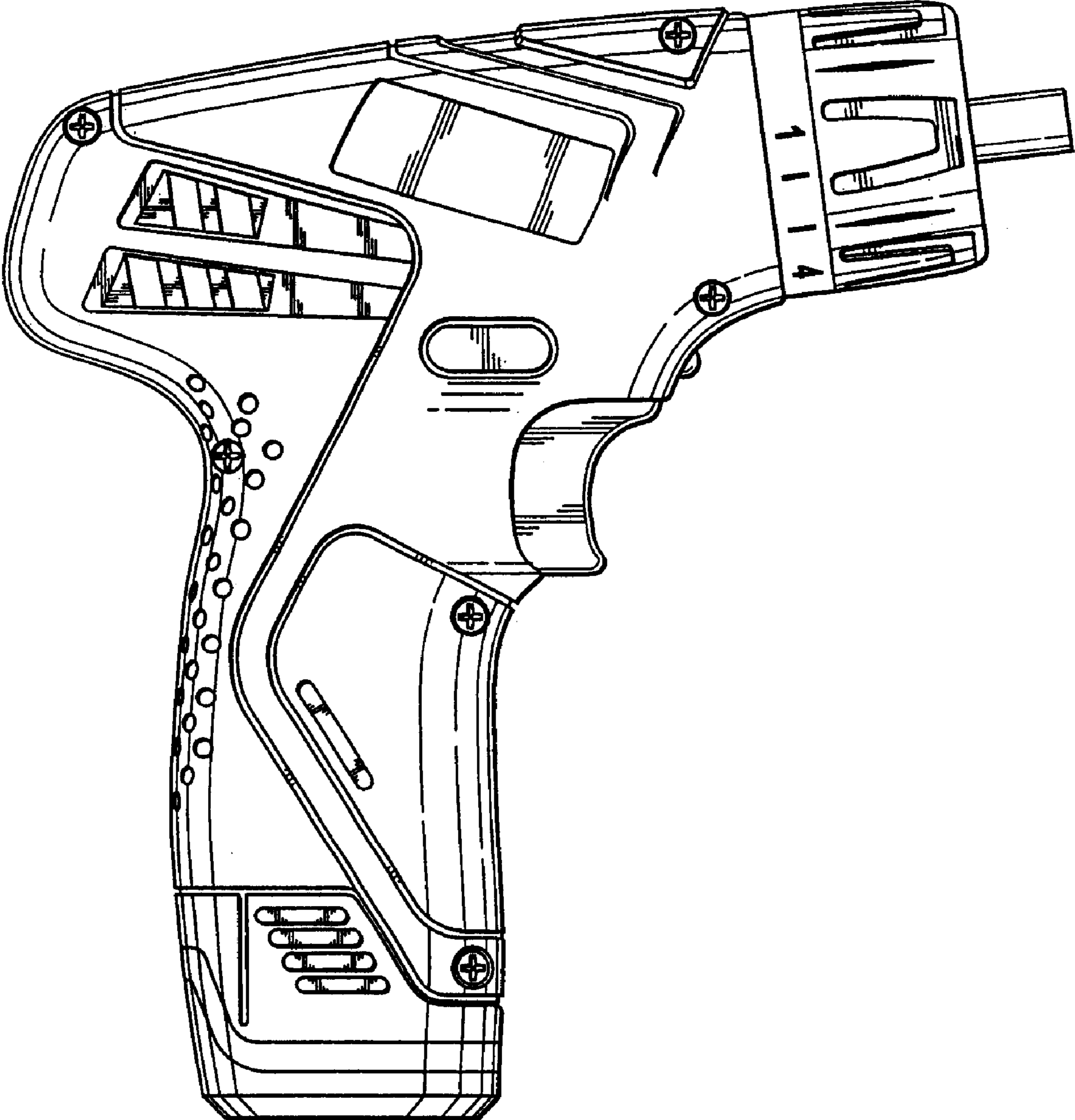


FIG. 2

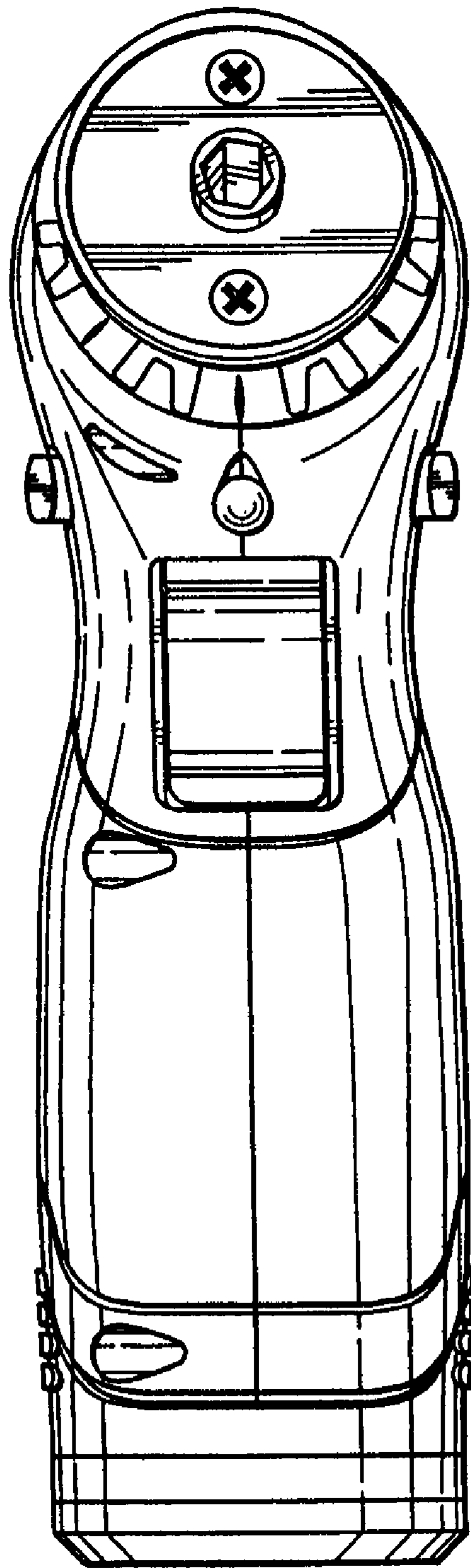


FIG. 3

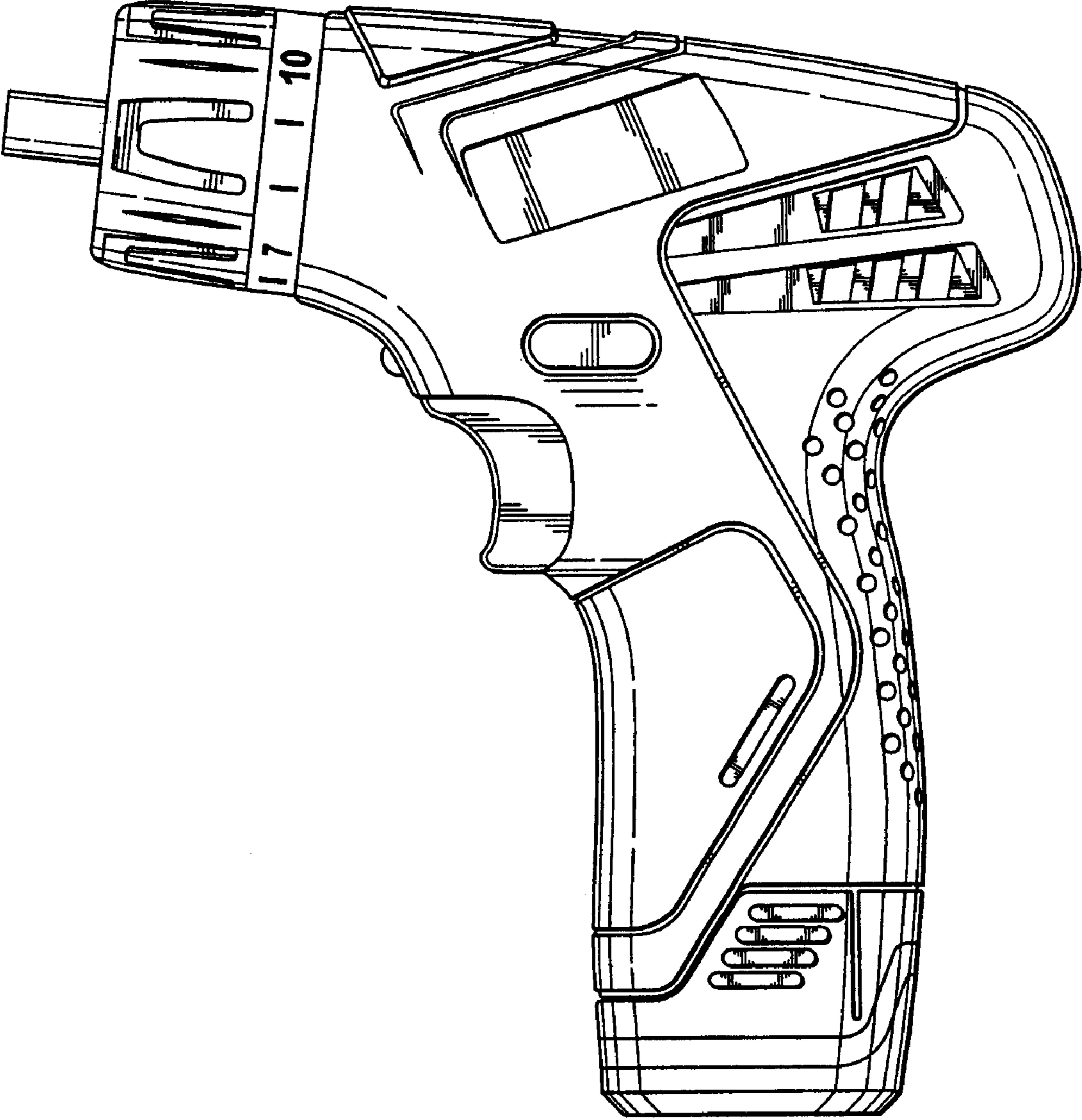


FIG. 4

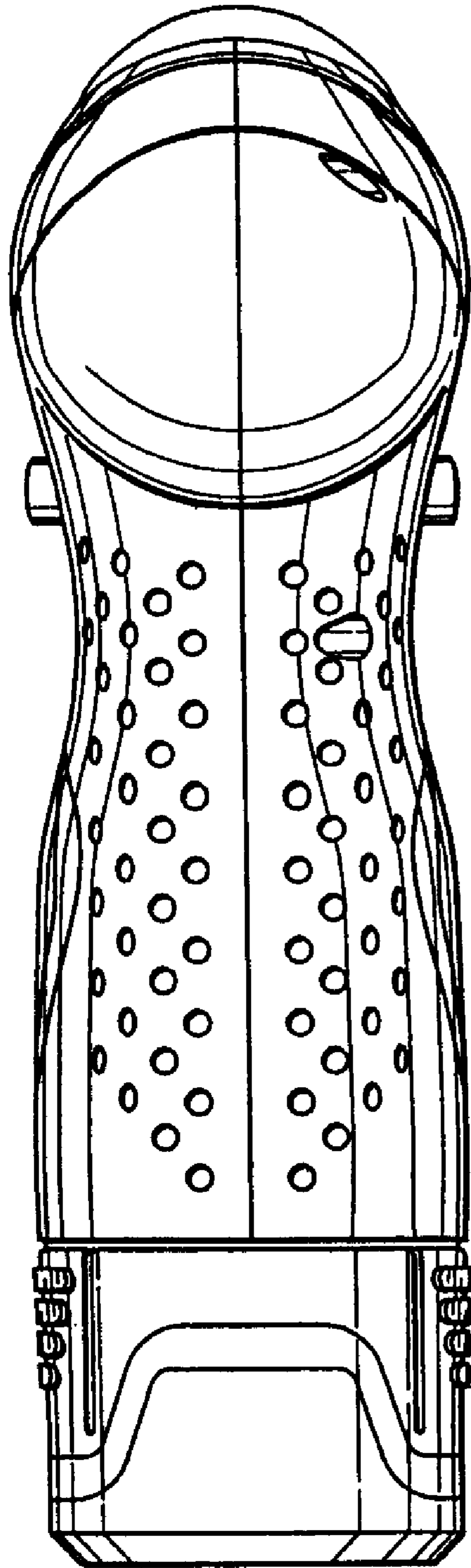


FIG. 5

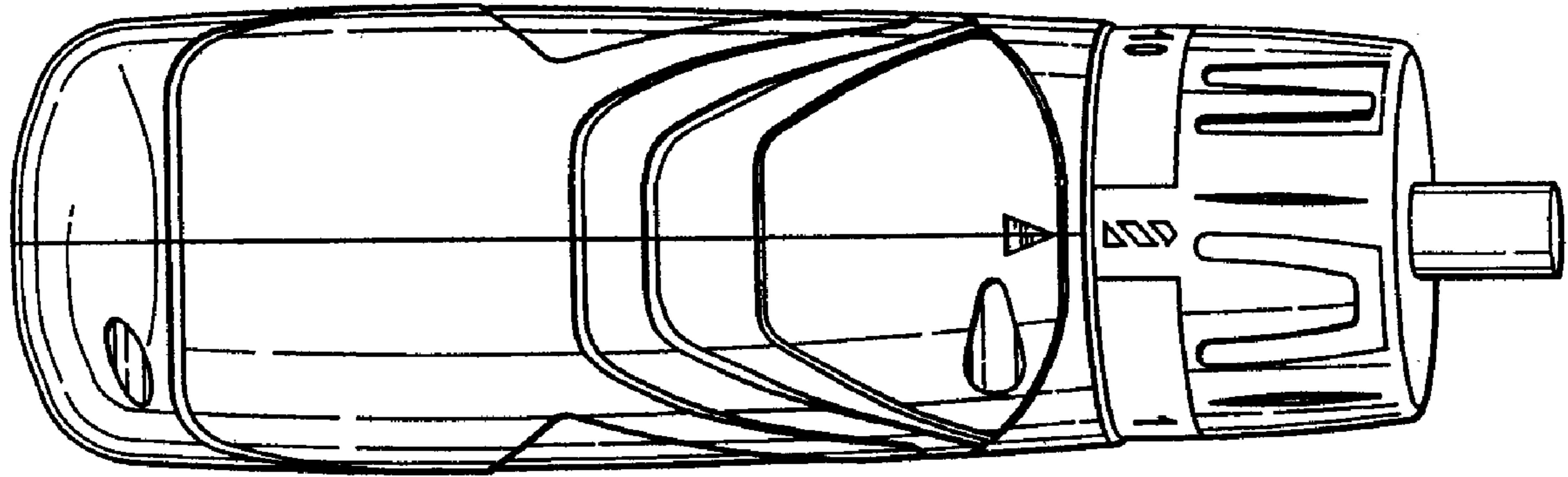


FIG. 6

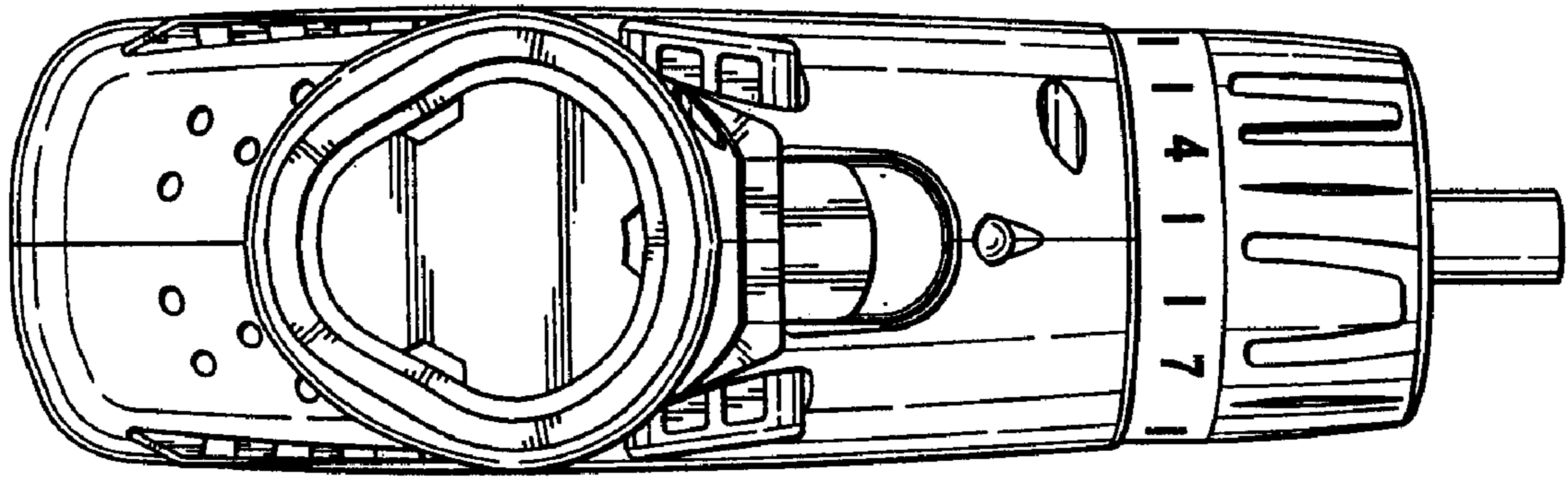


FIG. 7