



US00D520831S

(12) **United States Design Patent**
Okada et al.

(10) **Patent No.:** **US D520,831 S**

(45) **Date of Patent:** **** May 16, 2006**

(54) **PORTABLE ELECTRIC CIRCULAR SAW**

(75) Inventors: **Masanori Okada**, Hitachinaka (JP);
Yoshitaka Suzuki, Wako (JP); **Masato Sakai**, Hitachinaka (JP); **Teruo Imai**, Hitachinaka (JP); **Mizuho Nakamura**, Hitachinaka (JP)

(73) Assignee: **Hitachi Koki Co., Ltd.**, Toyko (JP)

(**) Term: **14 Years**

(21) Appl. No.: **29/237,752**

(22) Filed: **Sep. 7, 2005**

(30) **Foreign Application Priority Data**

Mar. 9, 2005 (JP) 2005-007076

(51) **LOC (8) Cl.** **08-03**

(52) **U.S. Cl.** **D8/66**

(58) **Field of Classification Search** D8/69,
D8/68, 67, 66, 64, 61, 70; 83/698.41, 747;
30/166.3, 374, 373, 375, 376, 391, 377, 390,
30/388, 389; 125/13.01; 144/218
See application file for complete search history.

(56) **References Cited**

U.S. PATENT DOCUMENTS

5,010,651 A * 4/1991 Techter et al. 303/76
D390,081 S * 2/1998 Price et al. D8/66

D408,248 S * 4/1999 Zurwelle et al. D8/66
D411,425 S * 6/1999 Sugimoto et al. D8/66
D433,300 S * 11/2000 Buck D8/66
D453,099 S * 1/2002 Welsh D8/66
D460,672 S * 7/2002 Pretzell D8/66
D466,385 S * 12/2002 Shigo et al. D8/66
D488,977 S * 4/2004 Evans D8/66
D502,073 S * 2/2005 Andriolo D8/66
D504,297 S * 4/2005 Tillman et al. D8/66
6,889,439 B1 * 5/2005 Koukal et al. 30/377
D507,949 S * 8/2005 Chunn et al. D8/66

* cited by examiner

Primary Examiner—Cathron C. Brooks

Assistant Examiner—Austin Murphy

(74) *Attorney, Agent, or Firm*—Sughrue Mion, PLLC

(57) **CLAIM**

The ornamental design for a portable electric circular saw, as shown.

DESCRIPTION

FIG. 1 is a perspective view of the top, front and right side of a portable electric circular saw showing our new design; FIG. 2 is a front elevational view thereof; FIG. 3 is a rear elevational view thereof; FIG. 4 is a top plan view thereof; FIG. 5 is a bottom plan view thereof; FIG. 6 is a right side elevational view thereof; and, FIG. 7 is a left side elevational view thereof.

1 Claim, 4 Drawing Sheets

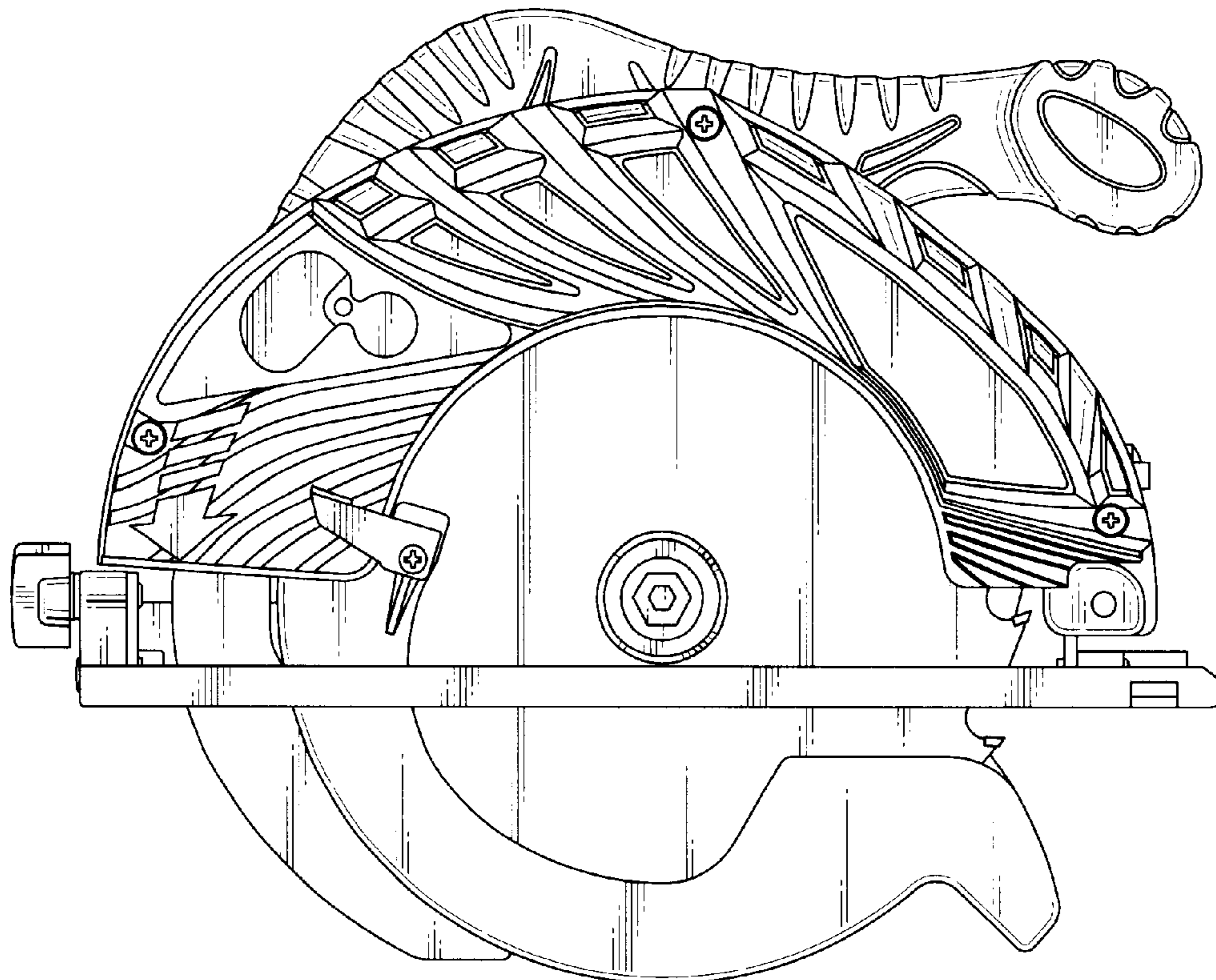


FIG. 1

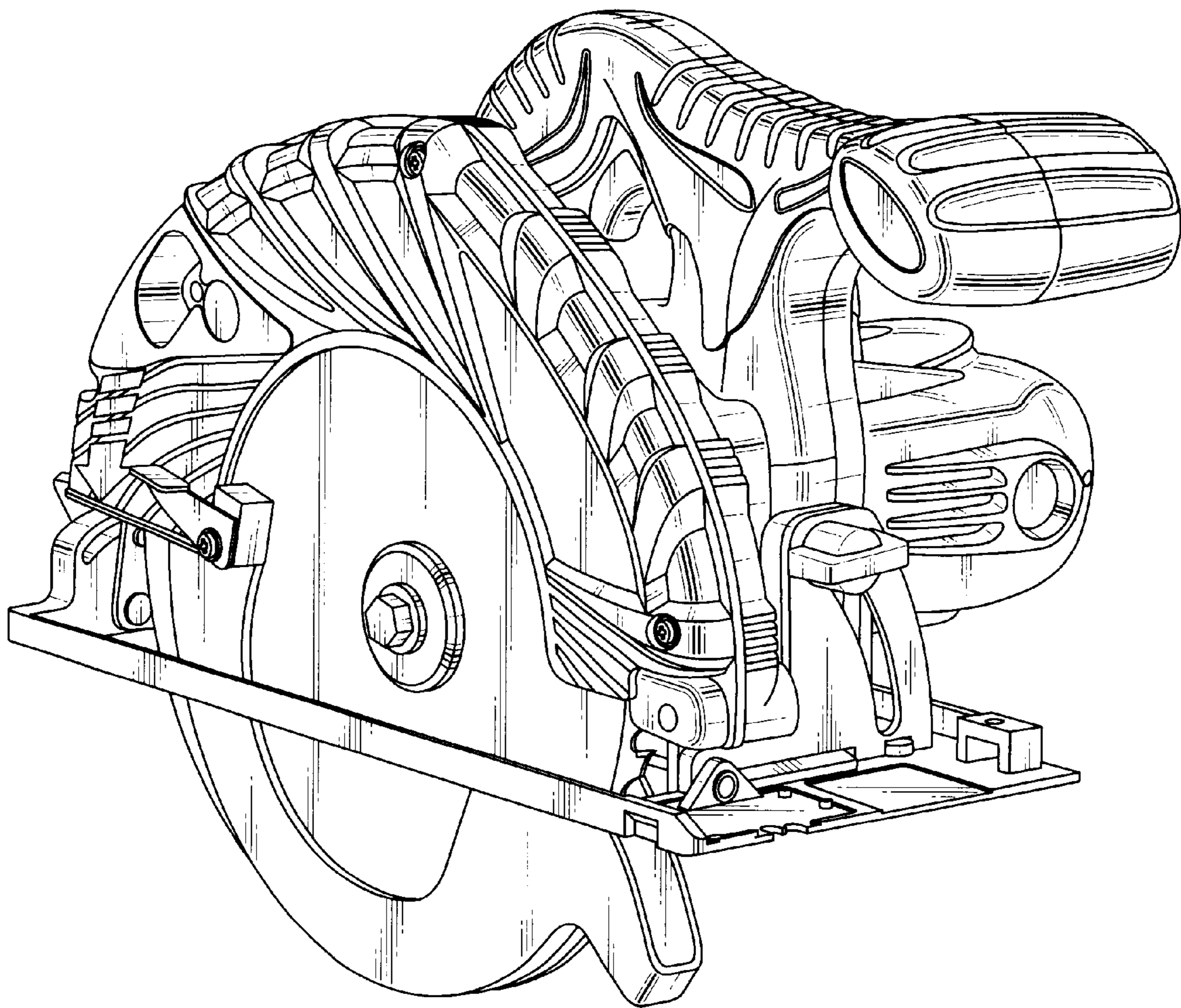


FIG.2

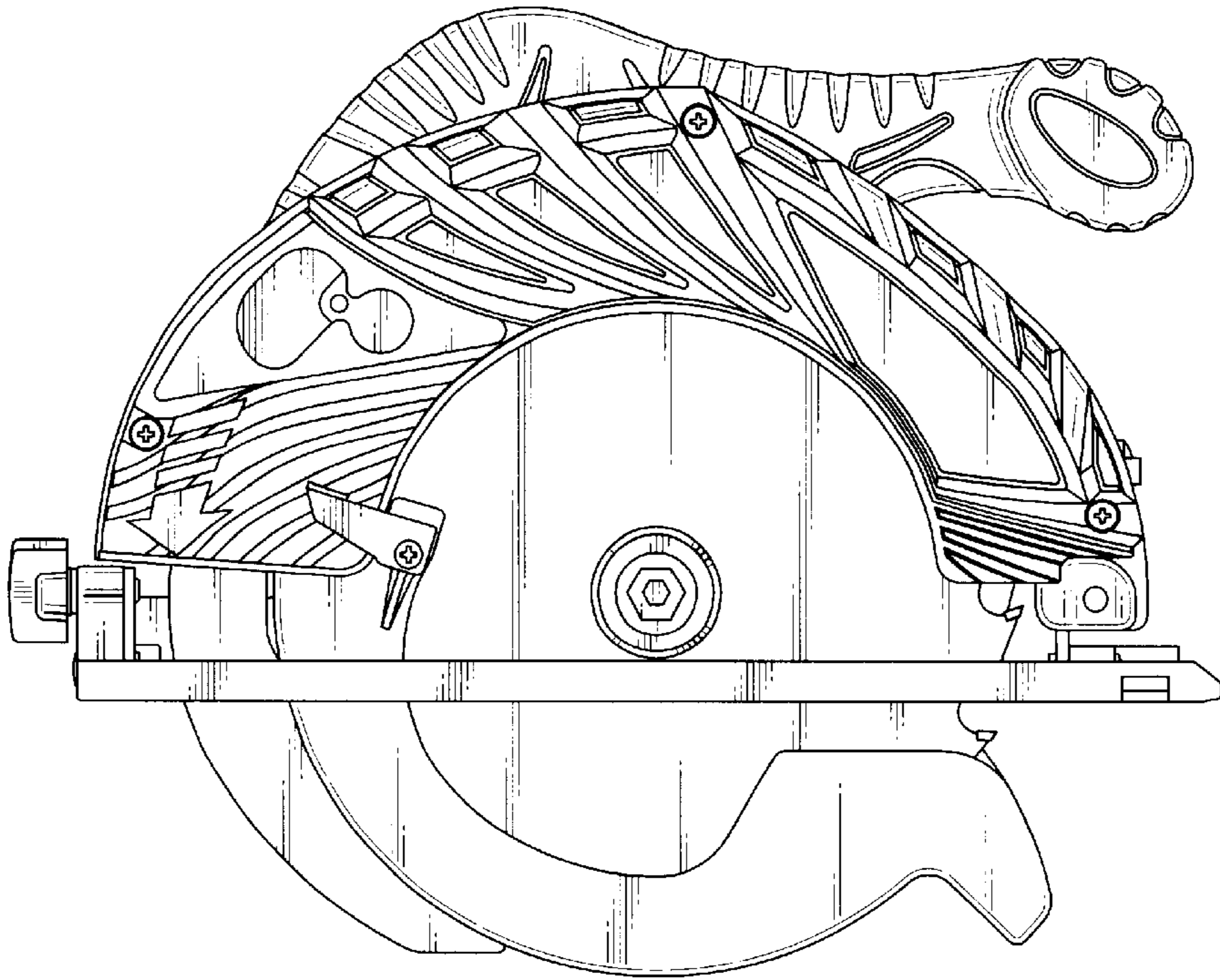


FIG.3

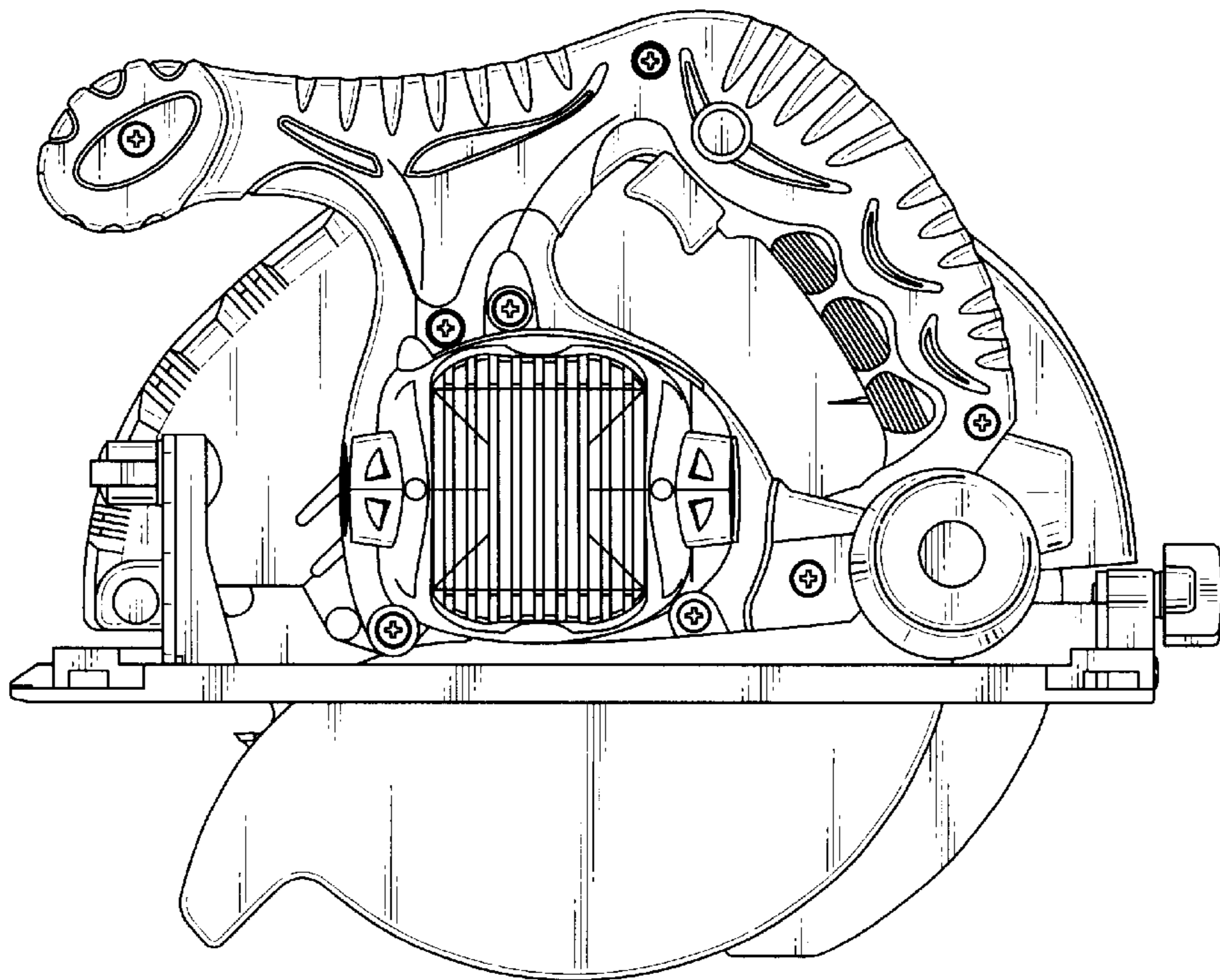


FIG.4

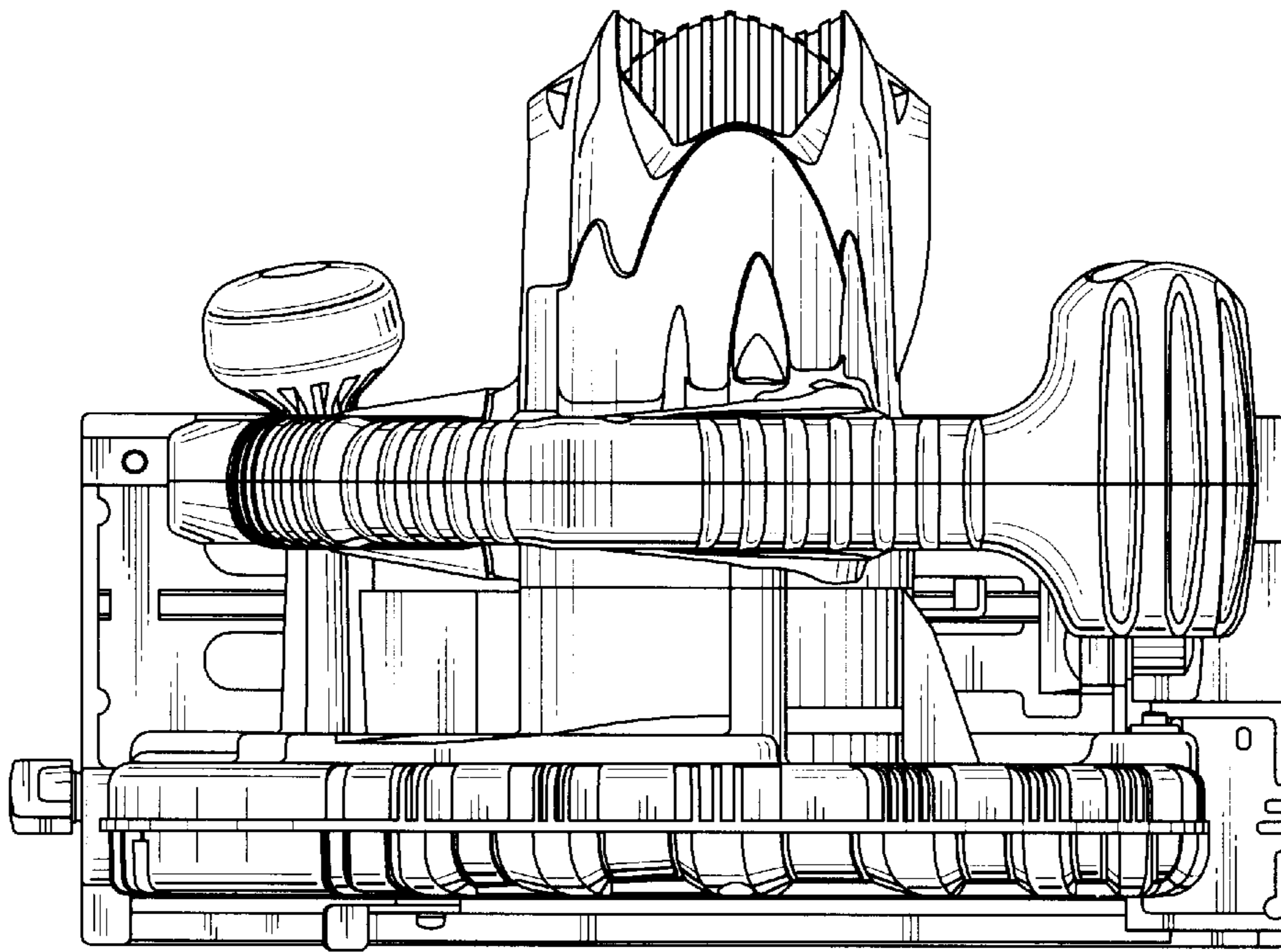


FIG.5

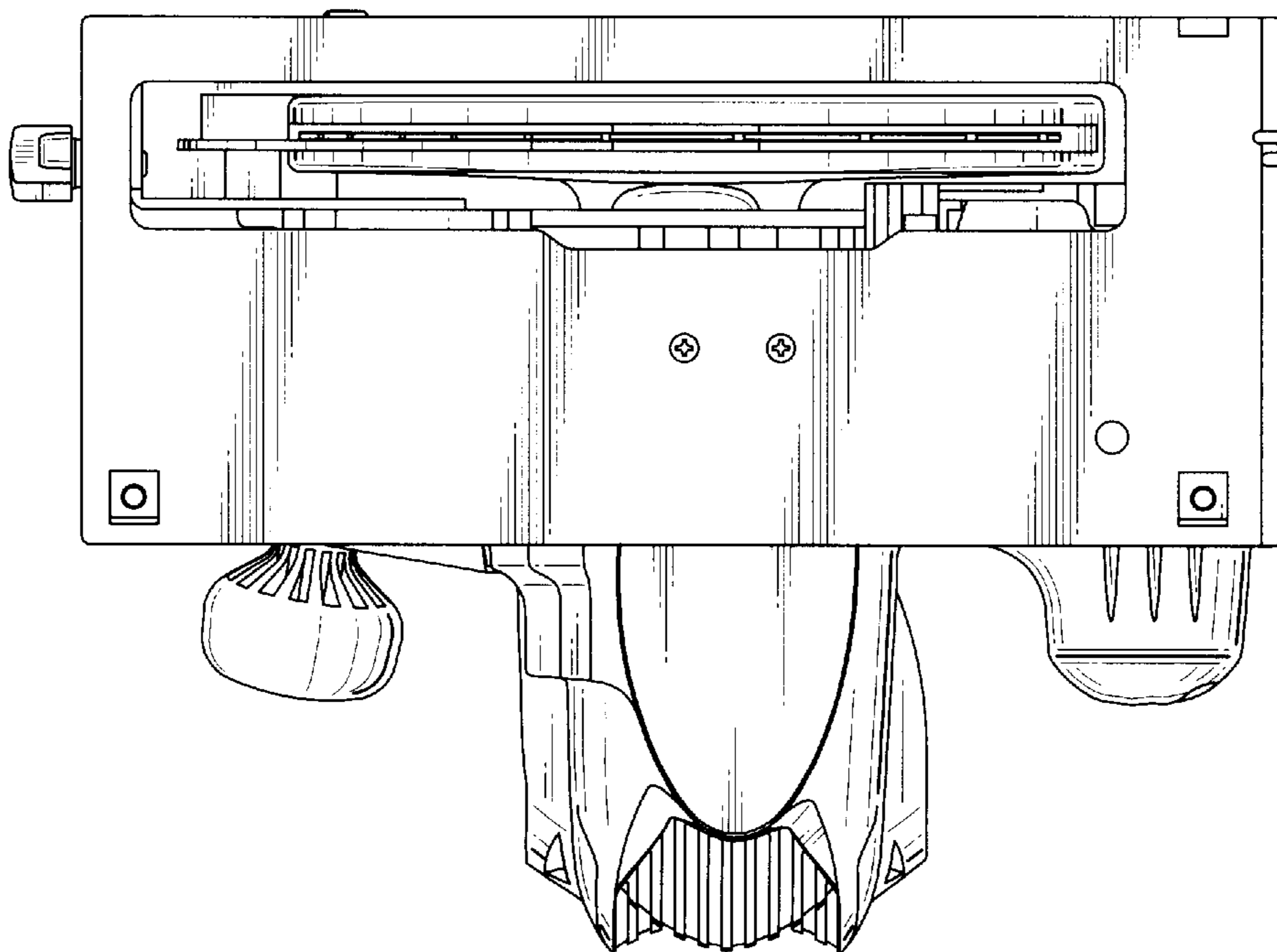


FIG.6

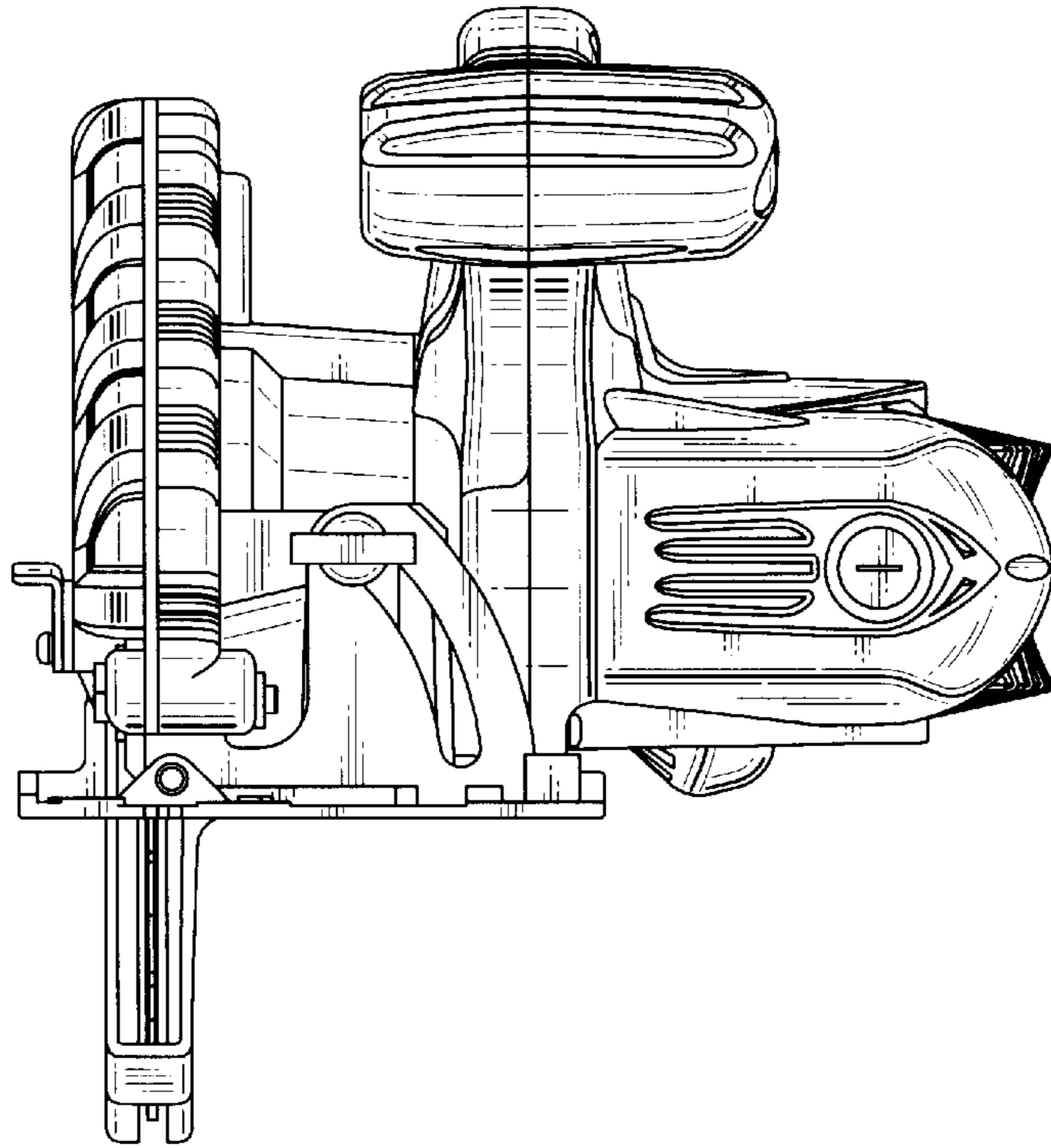


FIG.7

