

US00D520830S

(12) **United States Design Patent**
Suzuki et al.

(10) **Patent No.:** **US D520,830 S**

(45) **Date of Patent:** **** May 16, 2006**

(54) **PORTABLE ELECTRIC CIRCULAR SAW**

(75) Inventors: **Yoshitaka Suzuki**, Wako (JP);
Masanori Okada, Hitachinaka (JP);
Masato Sakai, Hitachinaka (JP);
Kenichi Takaada, Hitachinaka (JP)

(73) Assignee: **Hitachi Koki Co., Ltd.**, Tokyo (JP)

(**) **Term:** **14 Years**

(21) **Appl. No.:** **29/230,803**

(22) **Filed:** **May 27, 2005**

(30) **Foreign Application Priority Data**

Nov. 29, 2004 (JP) 2004-036380

(51) **LOC (8) Cl.** **08-03**

(52) **U.S. Cl.** **D8/66**

(58) **Field of Classification Search** D8/69,
D8/68, 67, 66, 64, 61, 70; 83/698.41, 747;
30/166.3, 374, 373, 375, 376, 391, 377, 390,
30/388, 389; 125/13.01; 144/218
See application file for complete search history.

(56) **References Cited**

U.S. PATENT DOCUMENTS

D363,656 S * 10/1995 Gierke D8/66
D411,425 S * 6/1999 Sugimoto et al. D8/66
D427,872 S * 7/2000 Snider D8/66

D427,874 S * 7/2000 Hayakawa et al. D8/66
D428,319 S * 7/2000 Gallagher D8/66
D433,300 S * 11/2000 Buck D8/66
D453,099 S * 1/2002 Welsh D8/66
D466,385 S * 12/2002 Shigo et al. D8/66
D470,376 S * 2/2003 Chunn et al. D8/66
6,543,143 B1 * 4/2003 Moore et al. 30/391
D488,977 S * 4/2004 Evans D8/66
D502,073 S * 2/2005 Andriolo D8/66
6,889,439 B1 * 5/2005 Koukal et al. 30/377

* cited by examiner

Primary Examiner—Cathron C. Brooks

Assistant Examiner—Austin Murphy

(74) *Attorney, Agent, or Firm*—Sughrue Mion, PLLC

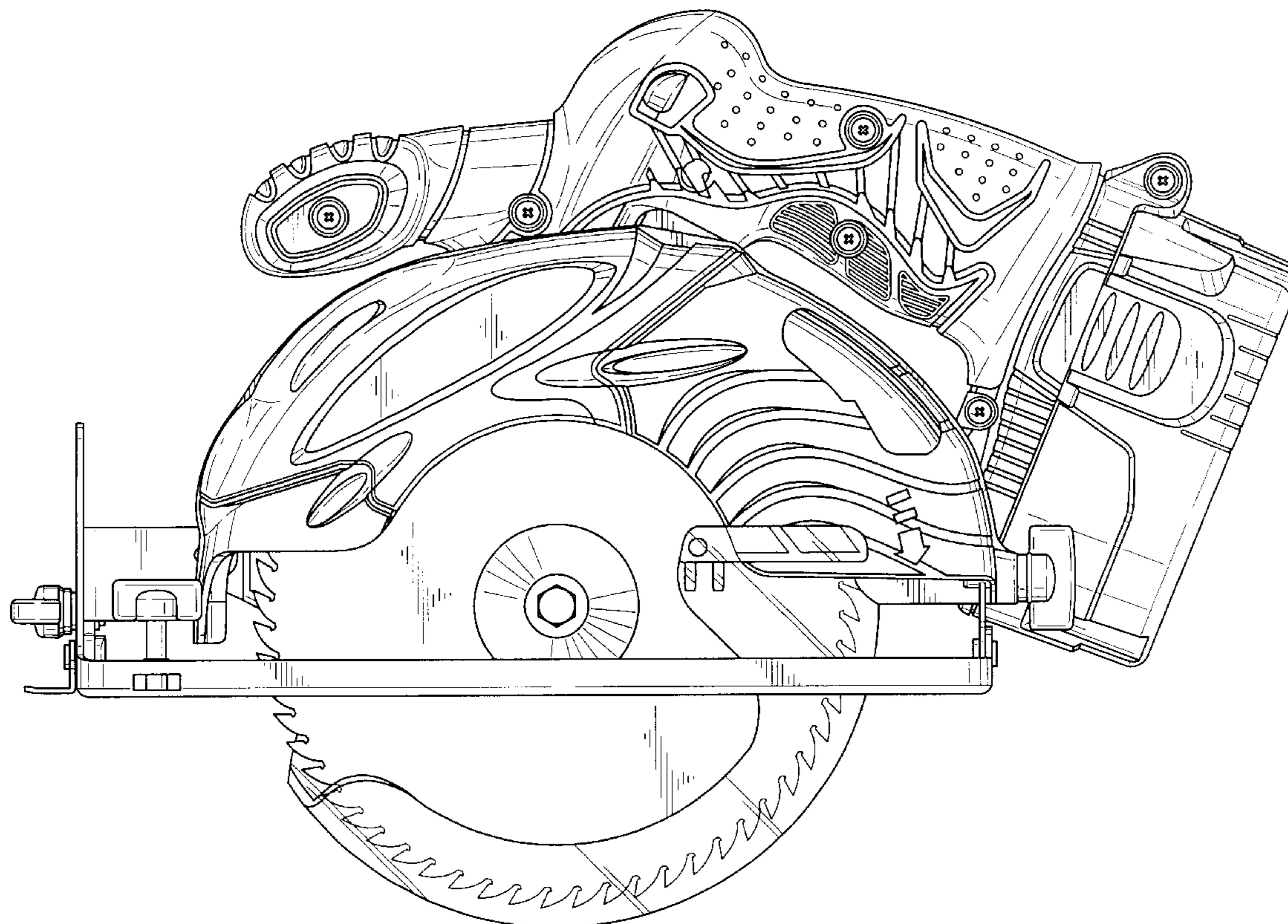
(57) **CLAIM**

The ornamental design for a portable electric circular saw, as shown.

DESCRIPTION

FIG. 1 is a perspective view of the top, front and left side of a portable electric circular saw showing our new design; FIG. 2 is a front elevational view thereof; FIG. 3 is a rear elevational view thereof; FIG. 4 is a left side elevational view thereof; FIG. 5 is a right side elevational view thereof; FIG. 6 is a top plan view thereof; and, FIG. 7 is a bottom plan view thereof.

1 Claim, 6 Drawing Sheets



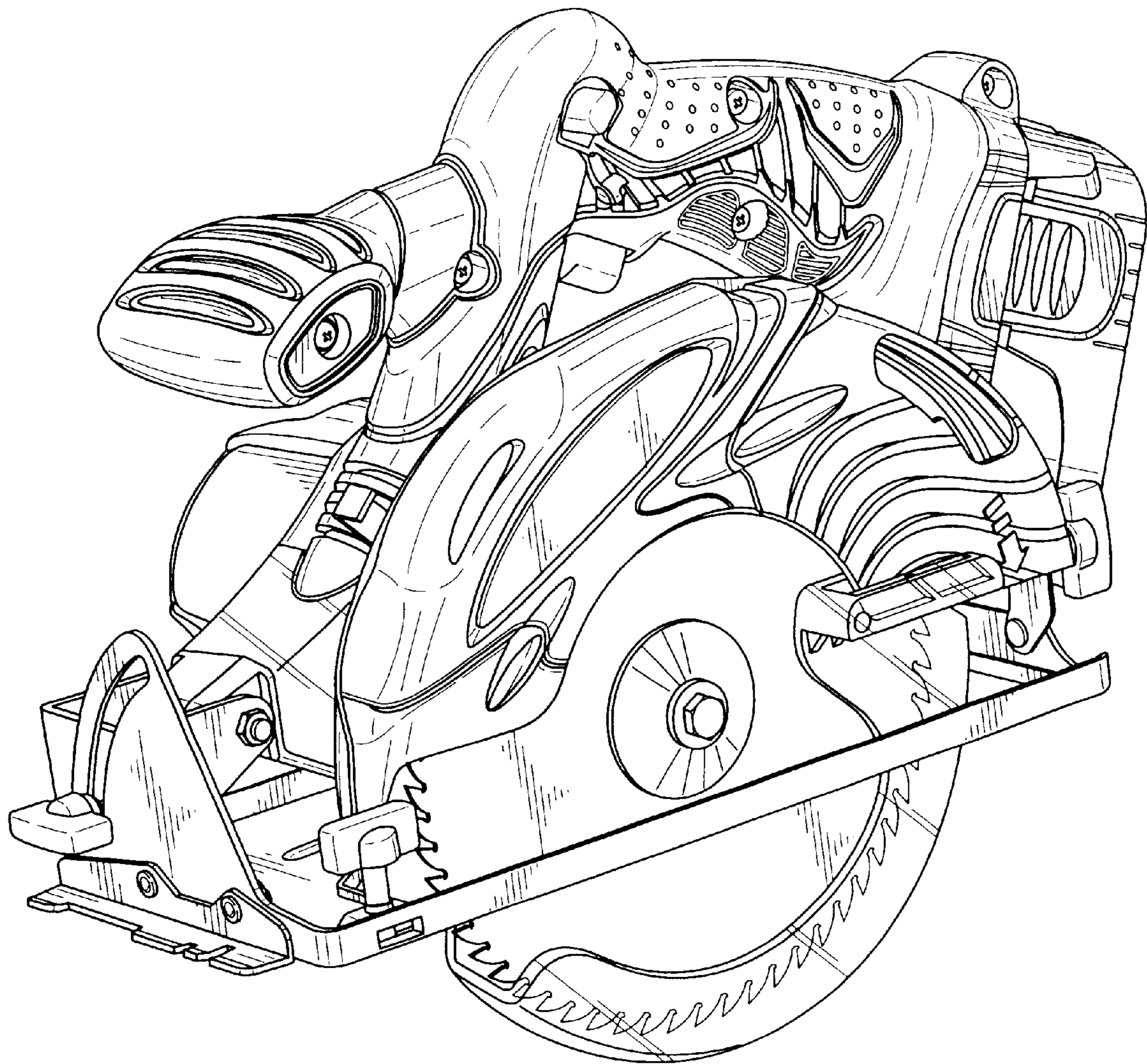


FIG. 1

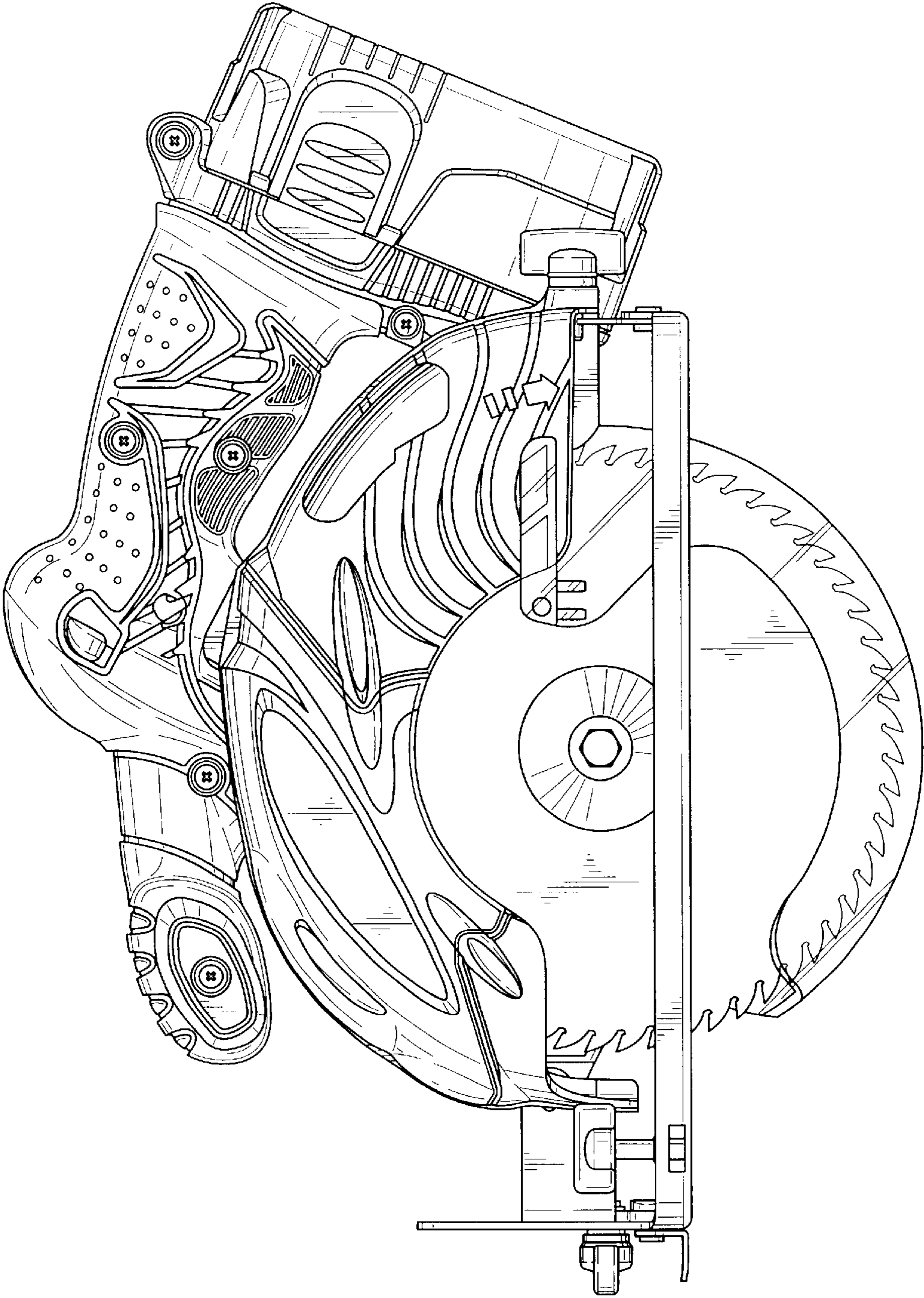


FIG. 2

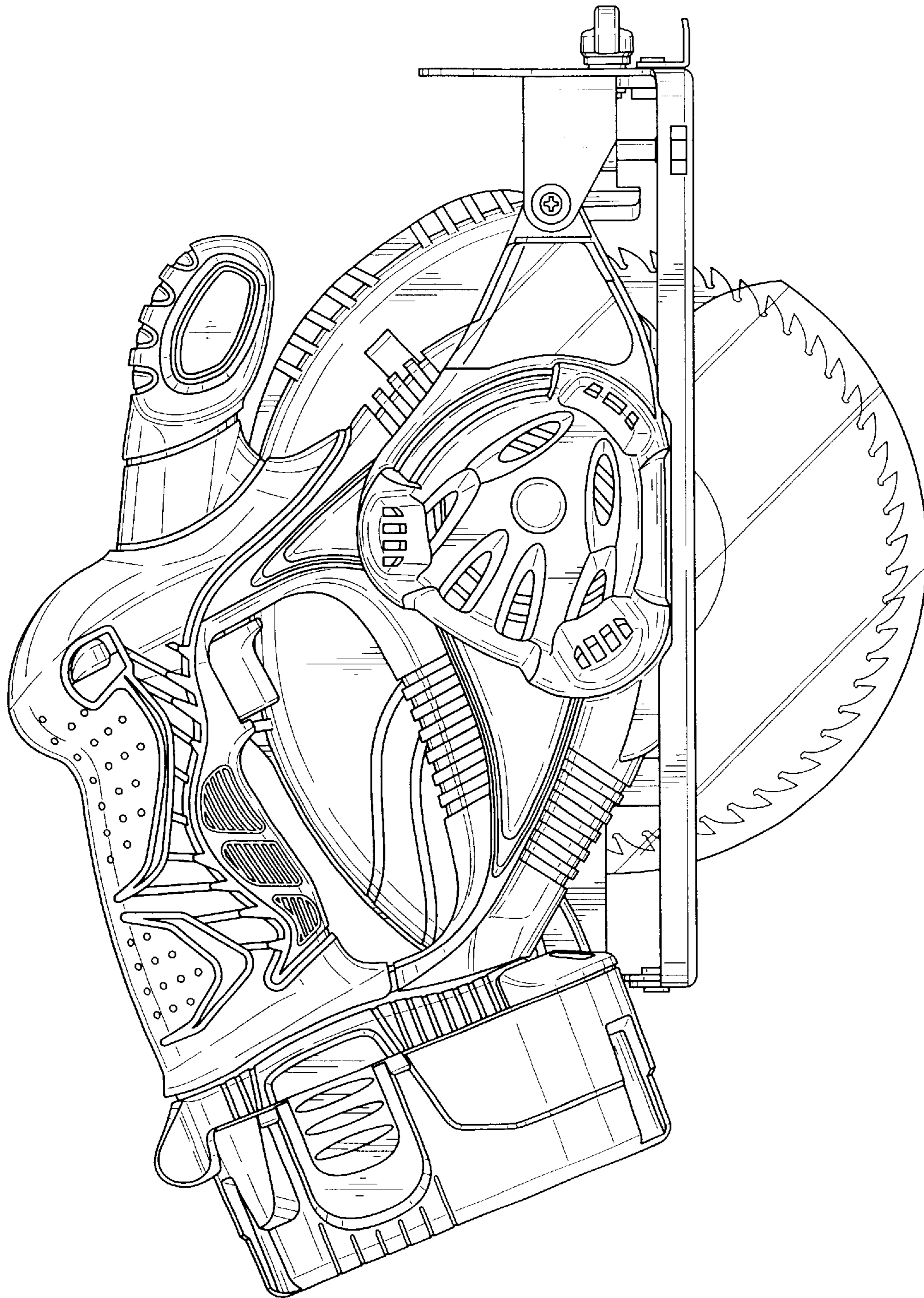


FIG. 3

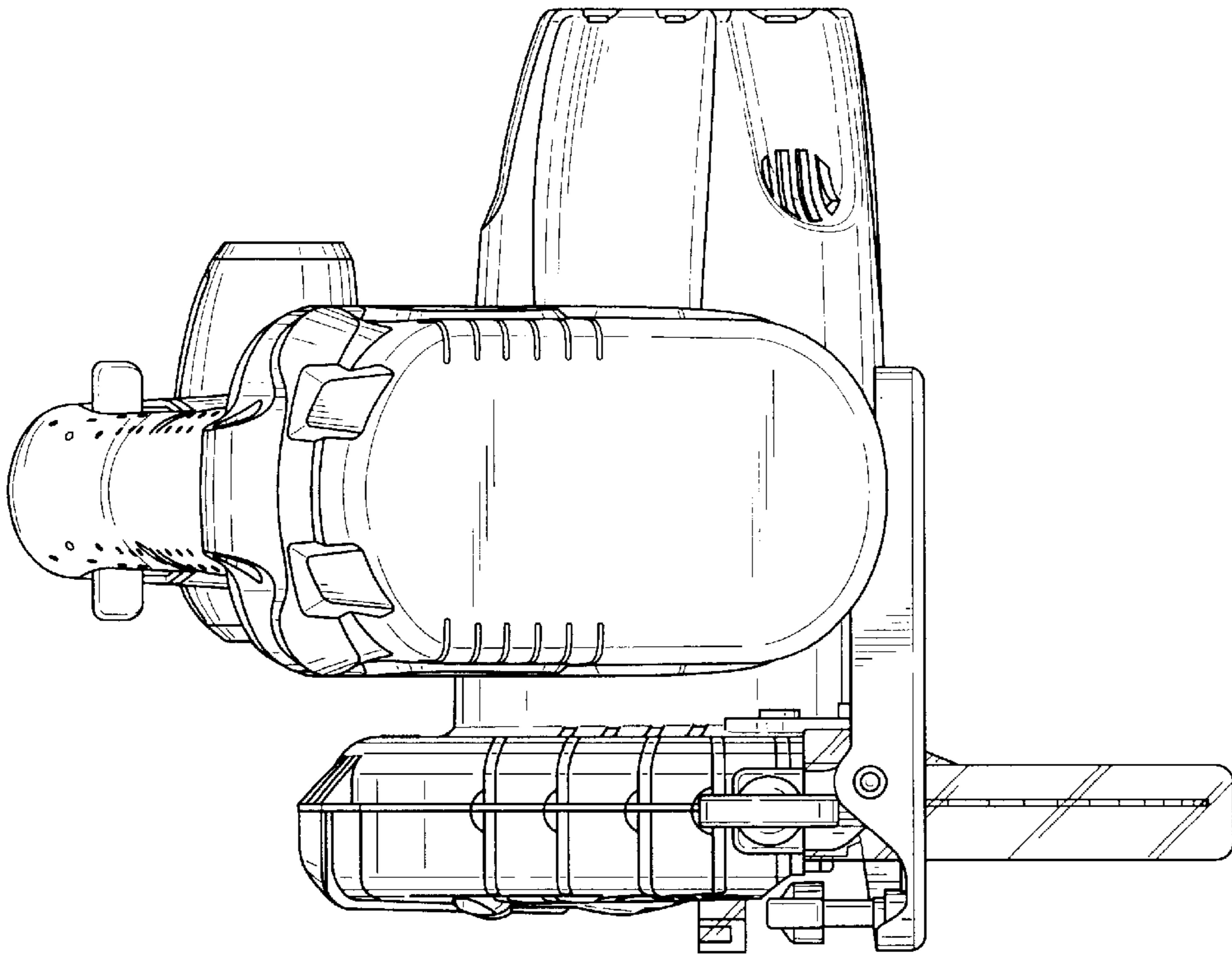


FIG. 5

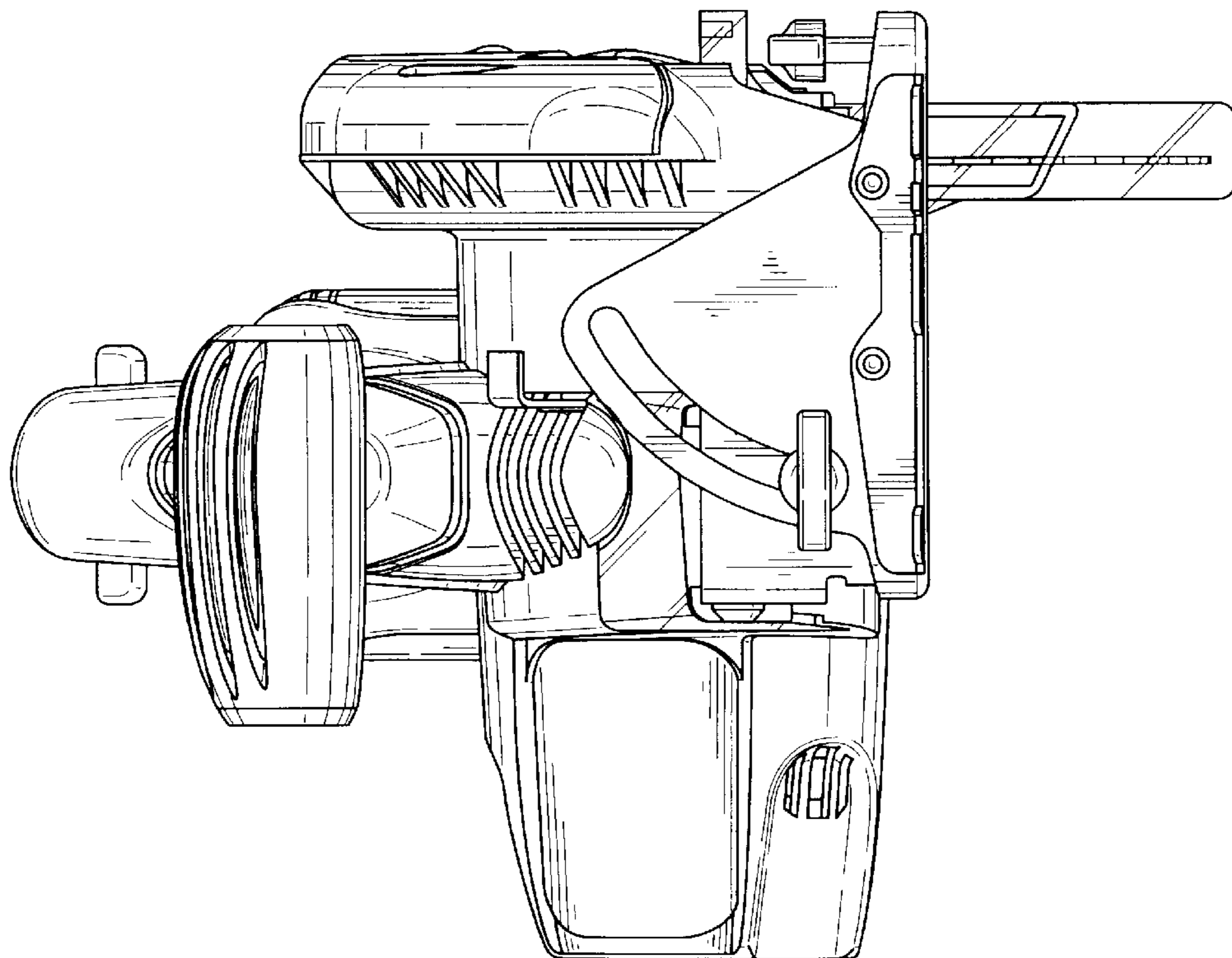


FIG. 4

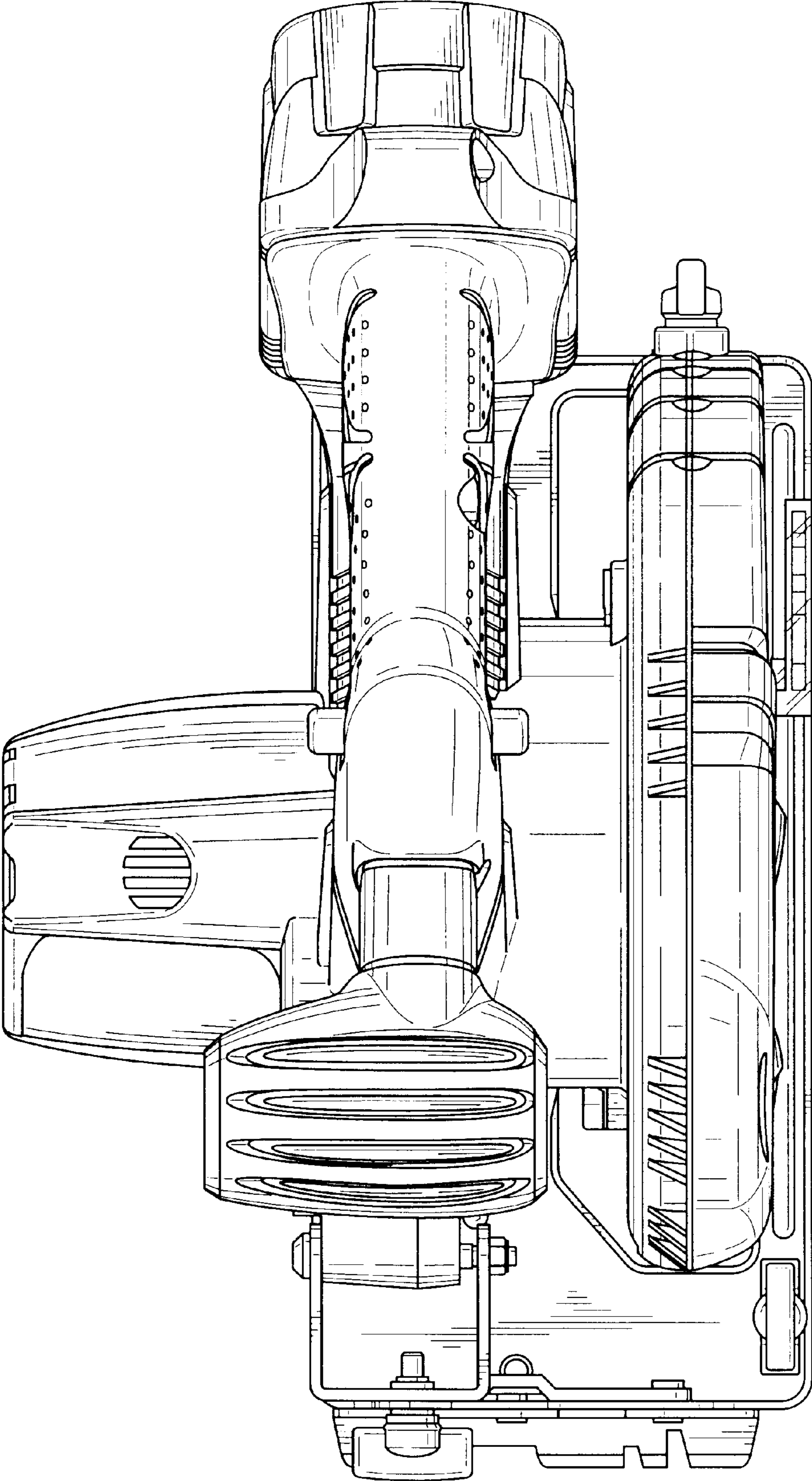


FIG. 6

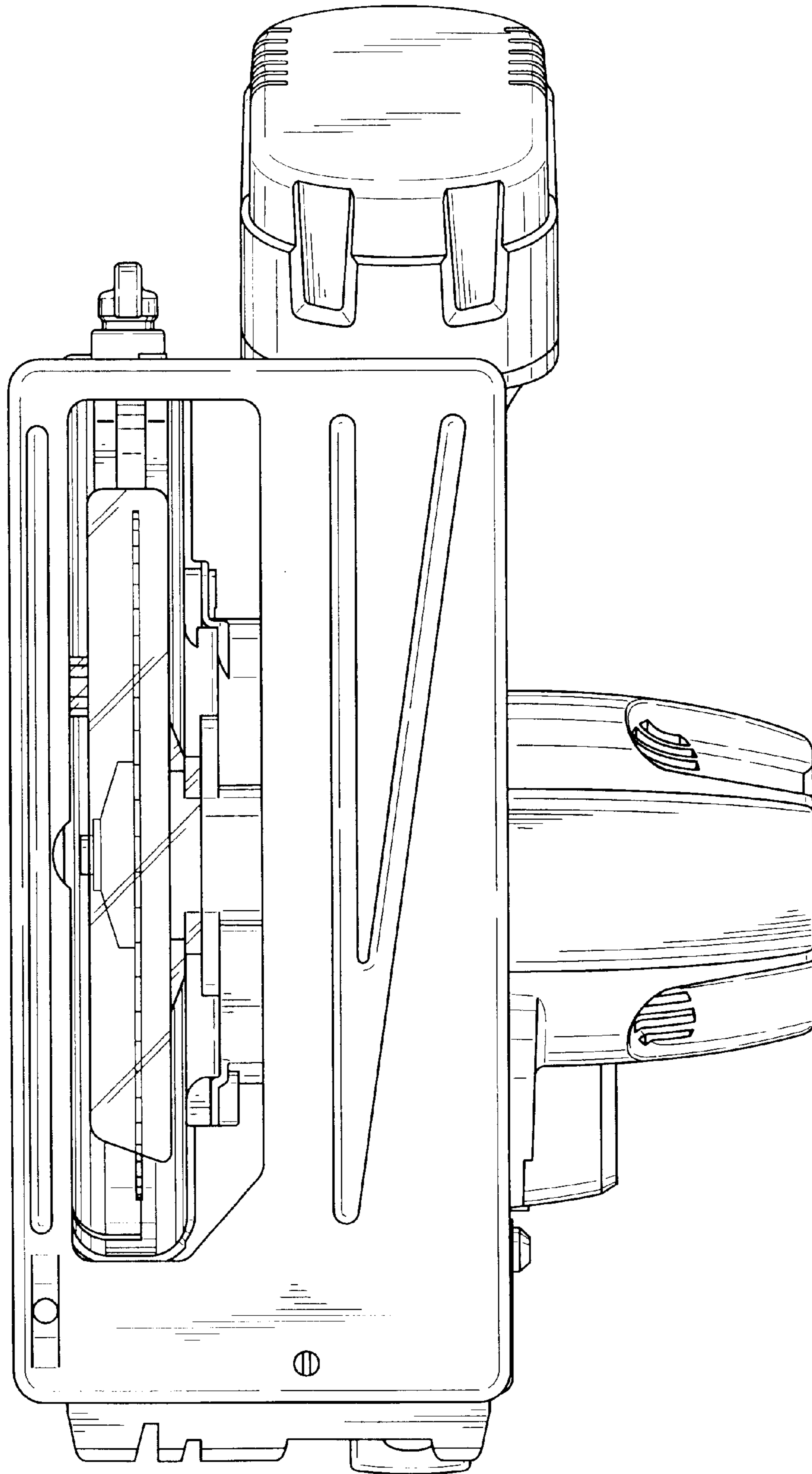


FIG. 7