

US00D520829S

(12) **United States Design Patent**
Albertson

(10) **Patent No.:** **US D520,829 S**
(45) **Date of Patent:** **** May 16, 2006**

(54) **COMBINED WRENCH, PLIERS AND SCREW DRIVER DRIVER**

(76) Inventor: **Robert V. Albertson**, 2100 Shadywood Rd., Wayzata, MN (US) 55391

(**) Term: **14 Years**

(21) Appl. No.: **29/199,564**

(22) Filed: **Feb. 18, 2004**

(51) **LOC (8) Cl.** **08-05**

(52) **U.S. Cl.** **D8/55; D8/26**

(58) **Field of Classification Search** D8/55,
D8/26-29, 105, 161, 21, 52; 81/4, 165, 125.1,
81/415-423; 7/125, 127

See application file for complete search history.

(56) **References Cited**

U.S. PATENT DOCUMENTS

1,321,777 A	11/1919	Stepanian	
D283,198 S	4/1986	Sipotz	
4,995,128 A *	2/1991	Montgomery et al.	7/127
D327,208 S *	6/1992	Wehling	D8/55
D335,806 S *	5/1993	Visic	D8/55
5,280,659 A	1/1994	Park	
5,341,707 A *	8/1994	Bond	81/436
D382,188 S *	8/1997	Lin	D8/85
D398,208 S *	9/1998	Anderson	D8/52
D401,488 S *	11/1998	Bates et al.	D8/52

5,920,935 A	7/1999	Beck	
D438,439 S *	3/2001	Compton	D8/26
6,643,877 B1 *	11/2003	Antenbrink et al.	7/125

* cited by examiner

Primary Examiner—Raphael Barkai
Assistant Examiner—Randall H. Gholson

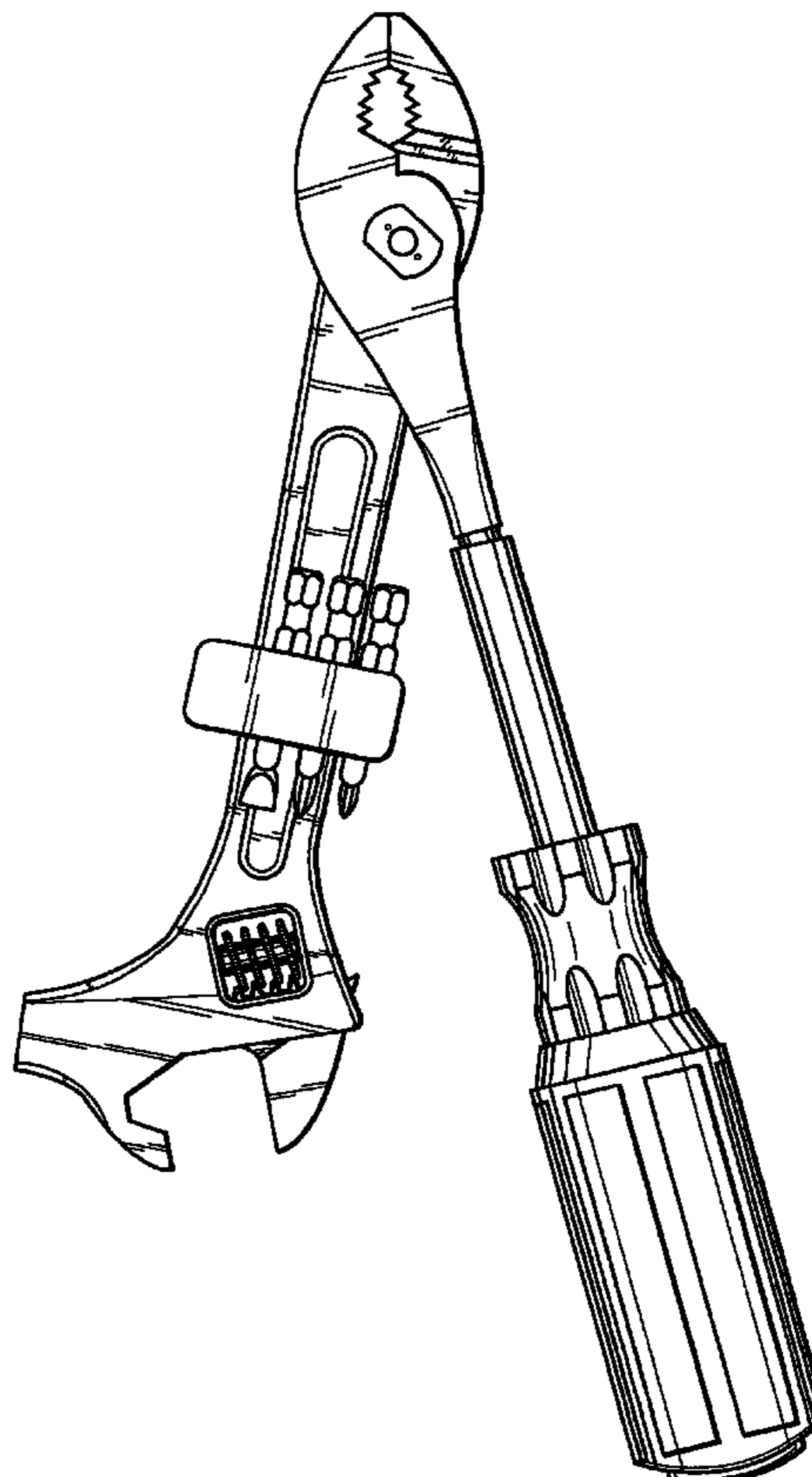
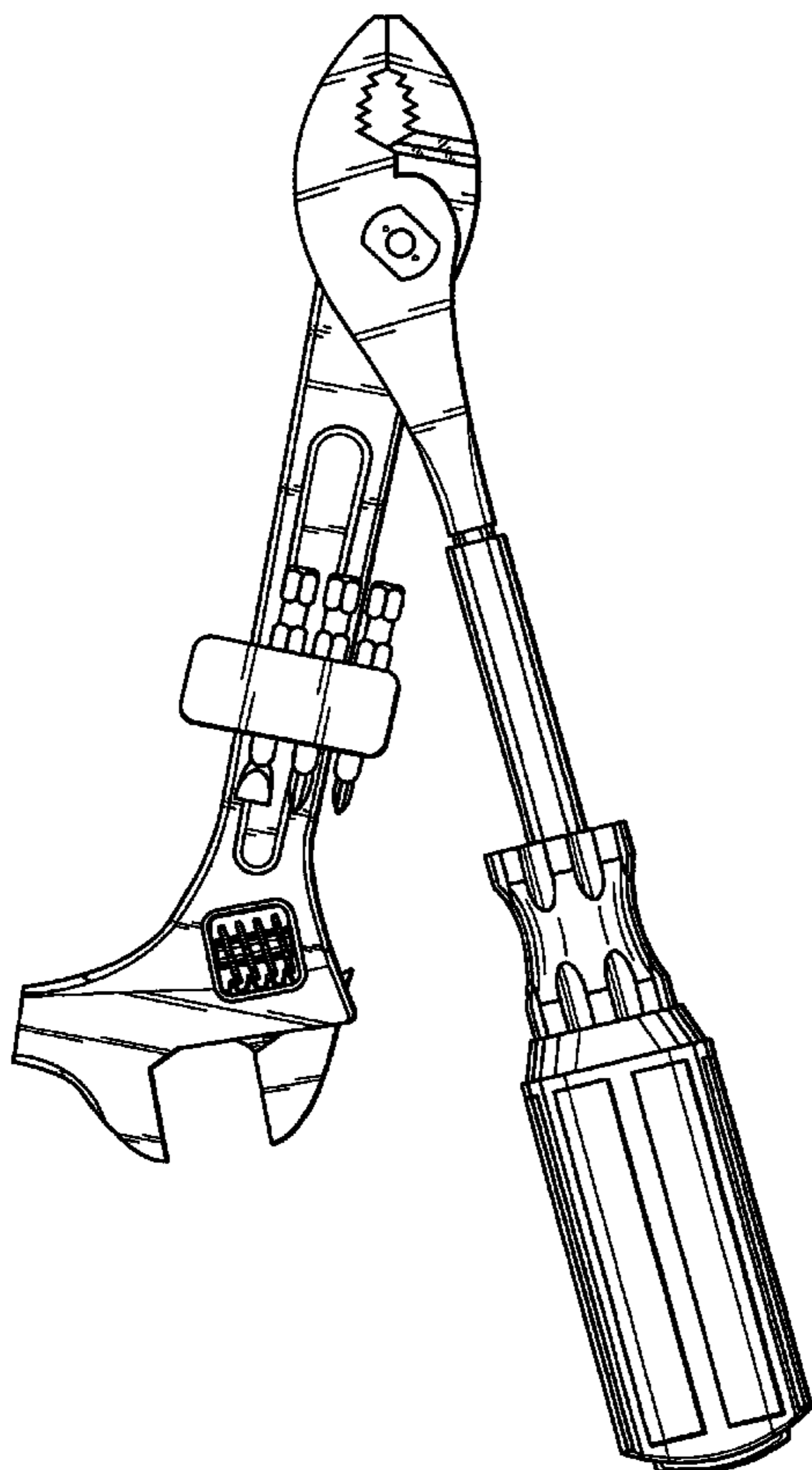
(57) **CLAIM**

The ornamental design of a combined wrench, pliers and screw driver, as shown and described.

DESCRIPTION

FIG. 1 is a front elevational view of the combined wrench, pliers and screw driver of my new design; FIG. 2 is a rear elevational view thereof; FIG. 3 is a side elevational view of the left side thereof; FIG. 4 is a side elevational view of the right side thereof; FIG. 5 is a top plan view thereof; FIG. 6 is a bottom plan view thereof; FIG. 7 is a front elevational view of a first modification of the combined wrench, pliers and screw driver of FIG. 1; FIG. 8 is a rear elevational view of FIG. 7; FIG. 9 is a side elevational view of the left side of FIG. 7; FIG. 10 is a side elevational view of the right side of FIG. 7; FIG. 11 is a top plan view of FIG. 7; and, FIG. 12 is a bottom plan view of FIG. 7.

1 Claim, 10 Drawing Sheets



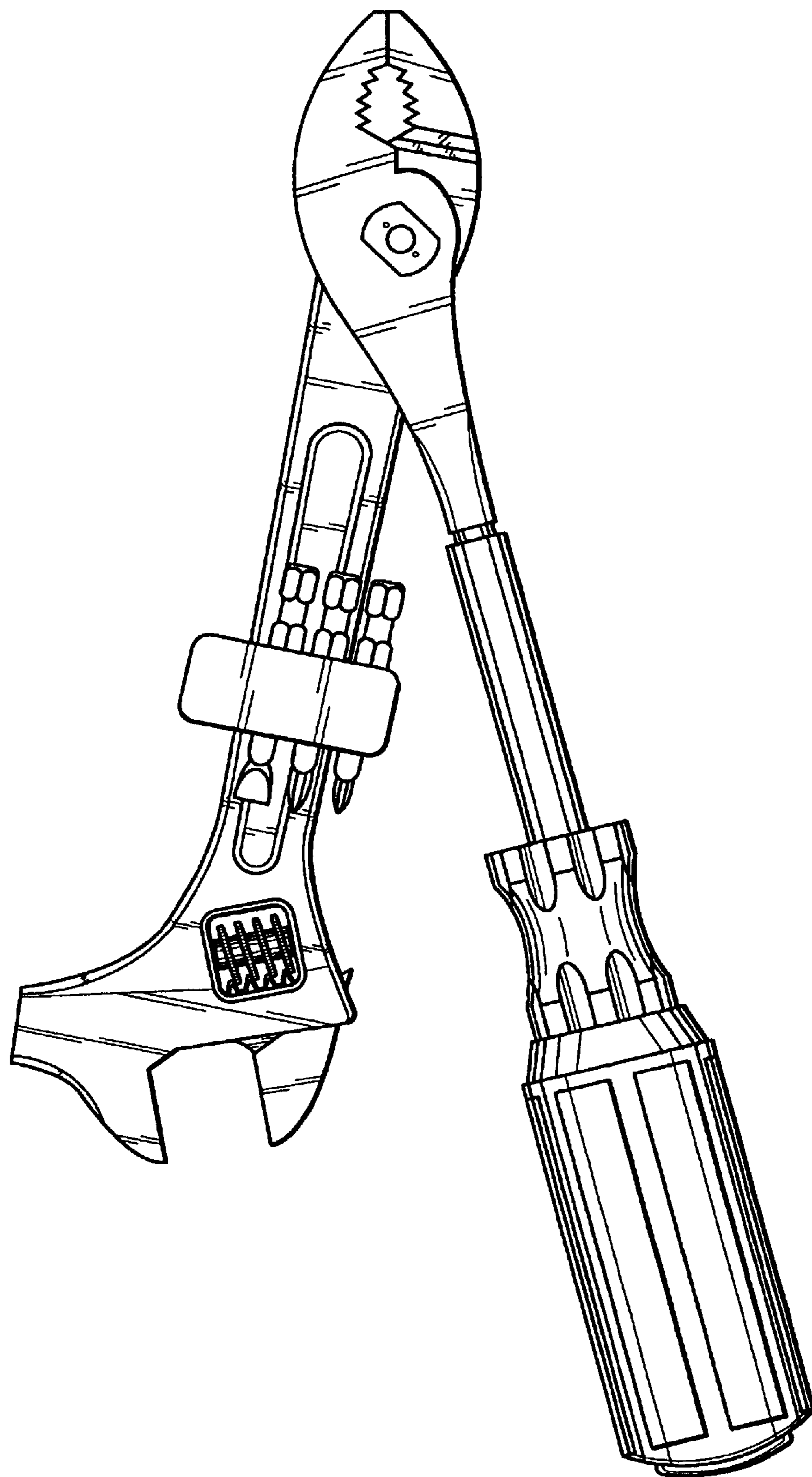


FIG. 1

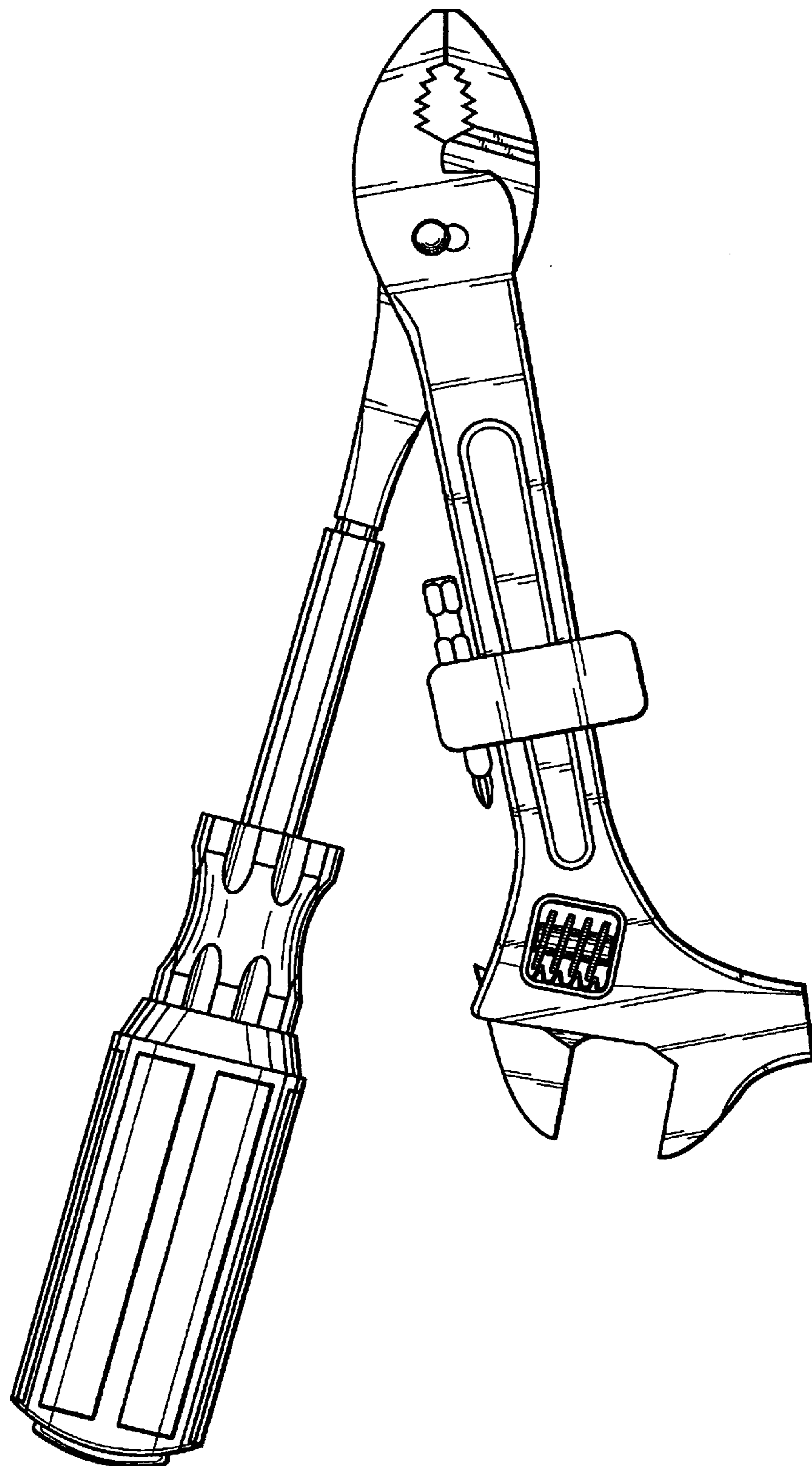


FIG. 2

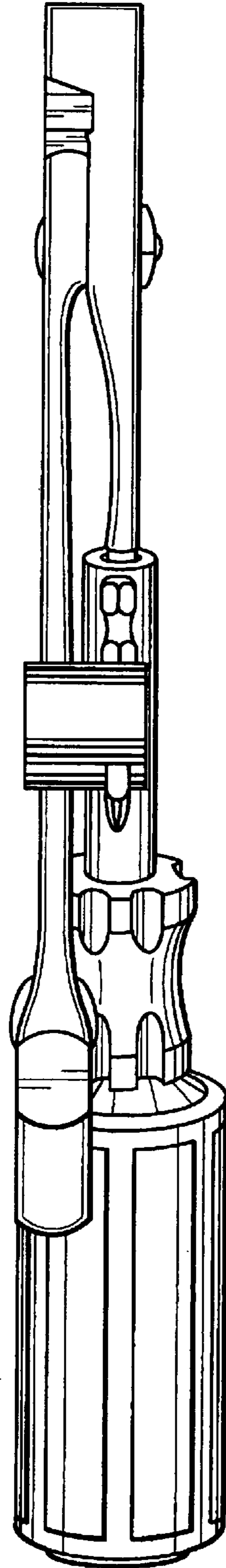


FIG. 3

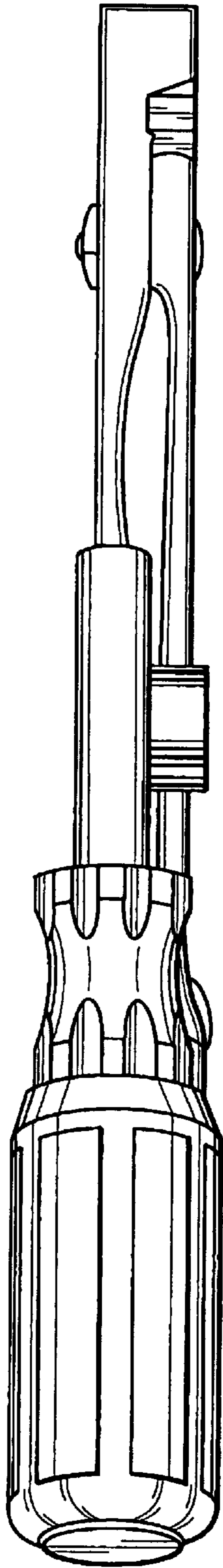


FIG. 4

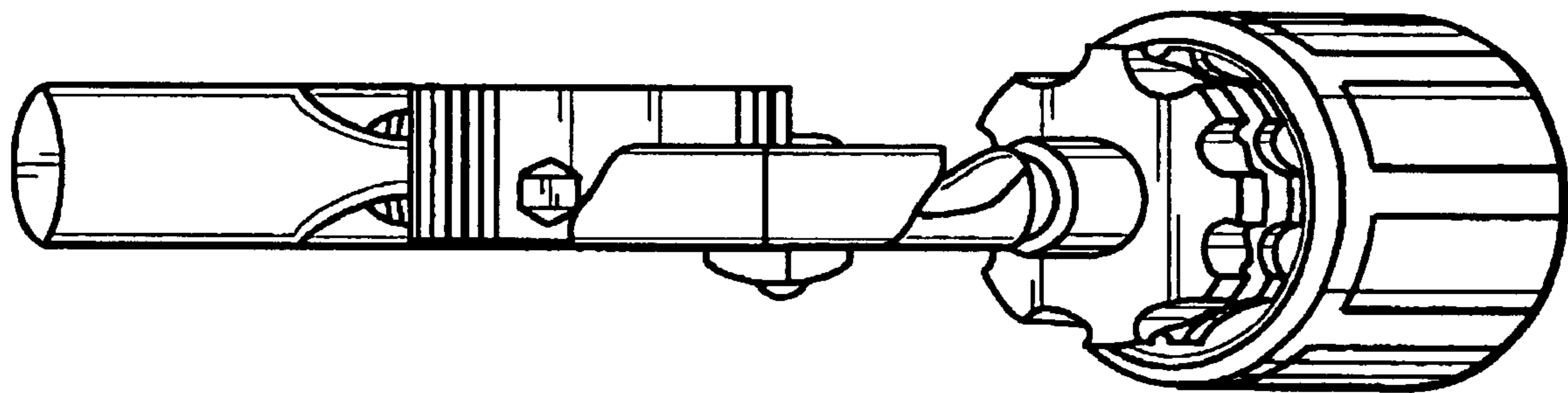


FIG. 5

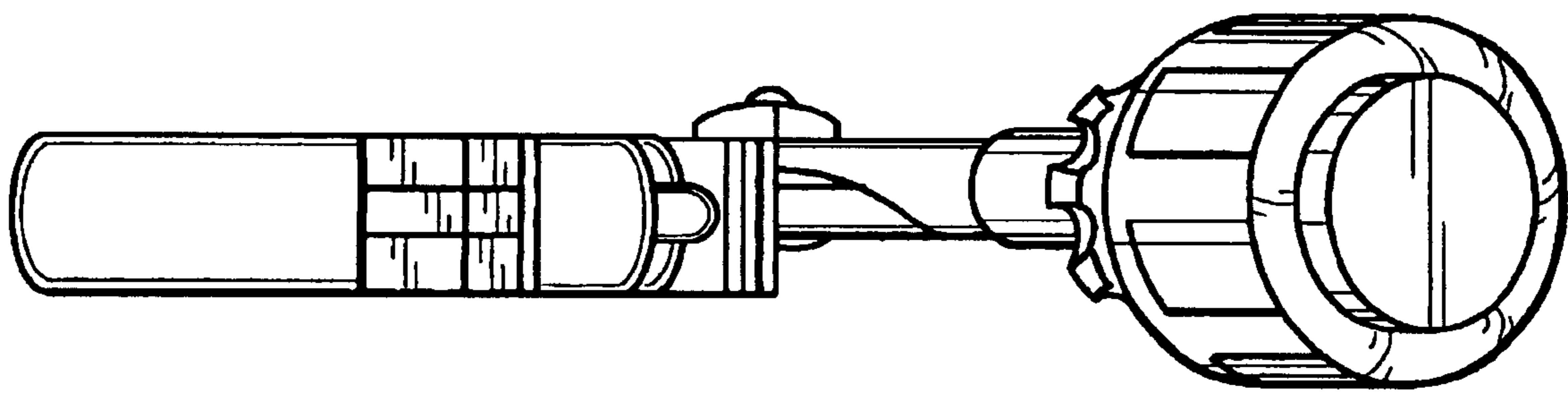


FIG. 6

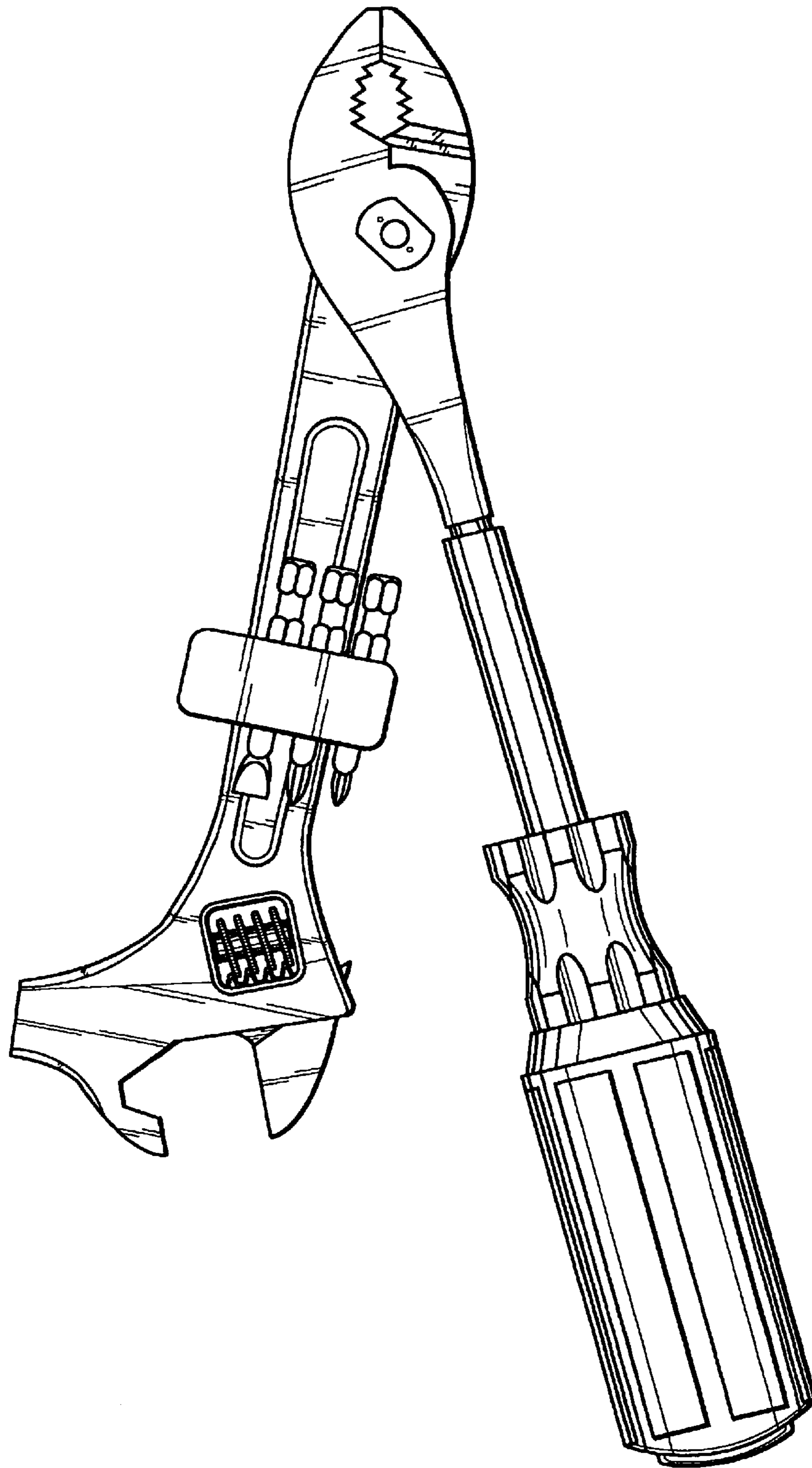


FIG. 7

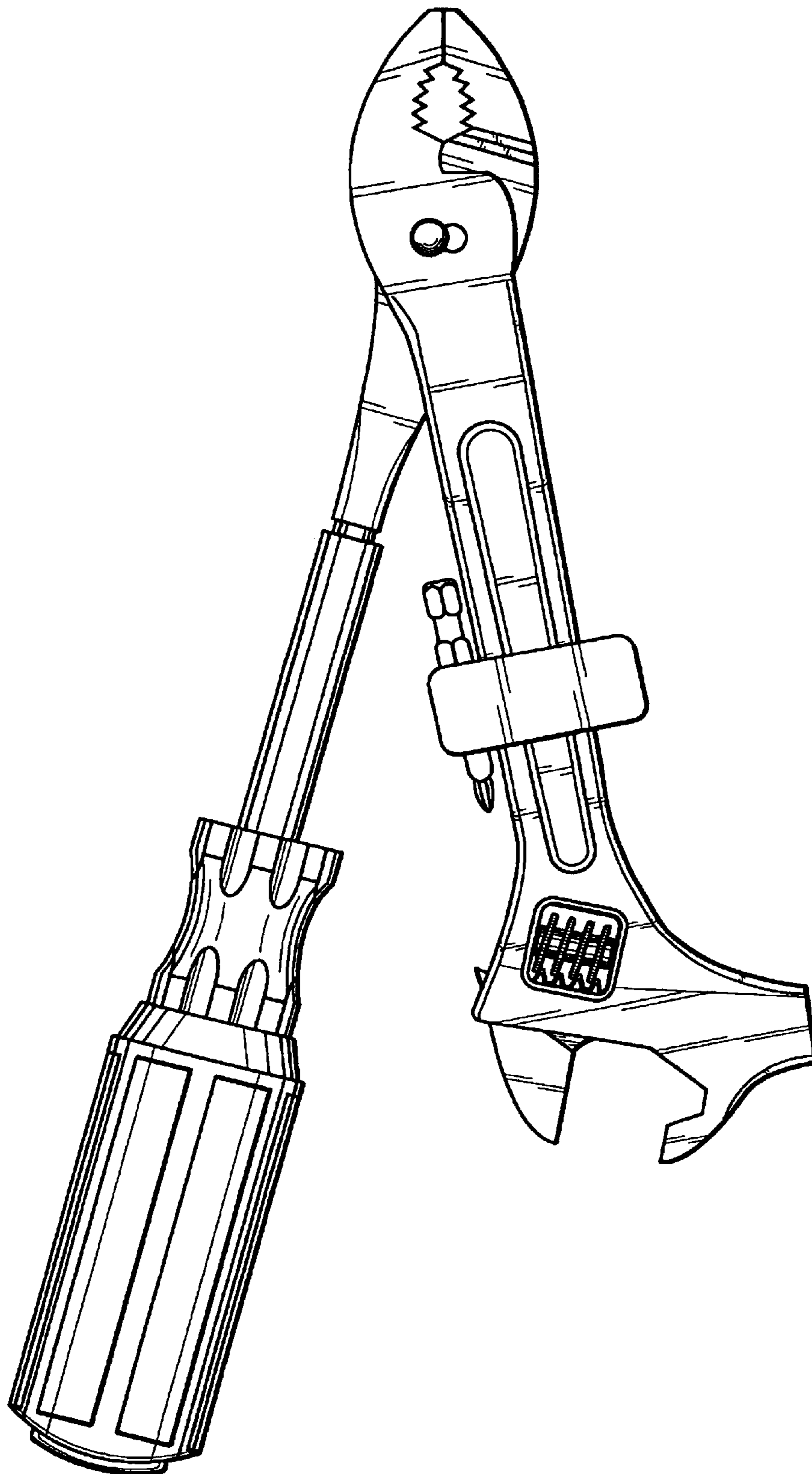


FIG. 8

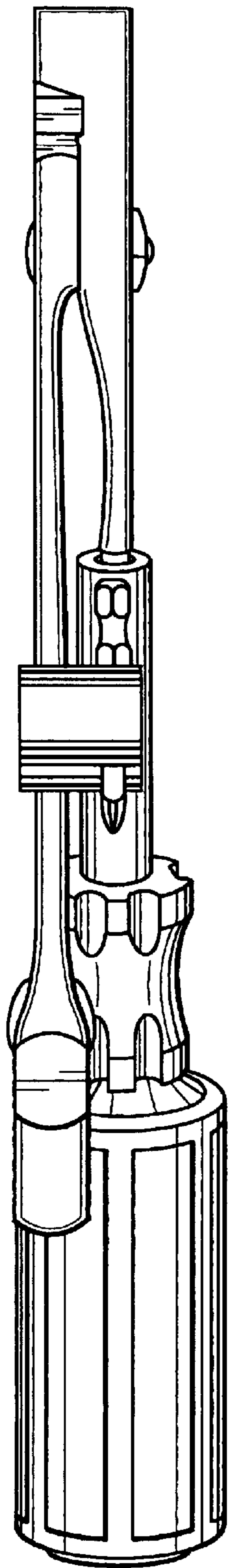


FIG. 9

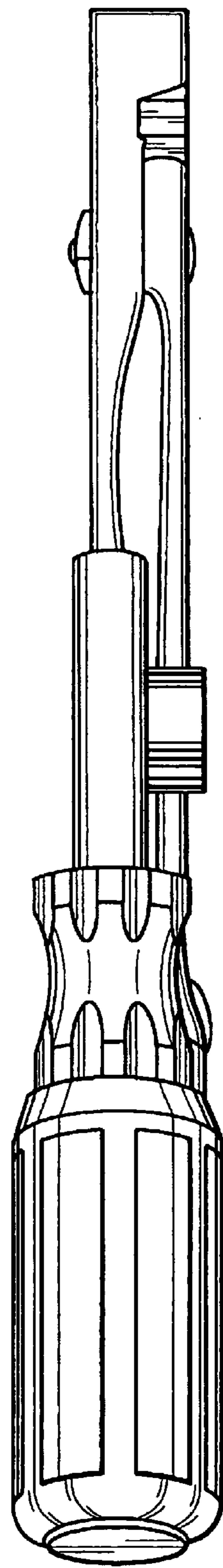


FIG. 10

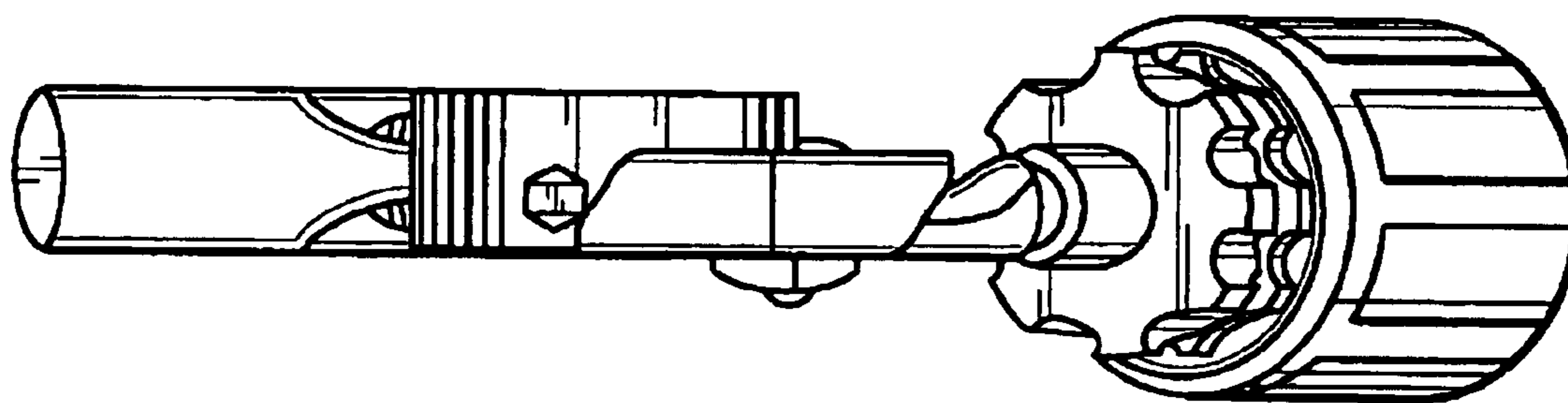


FIG. 11

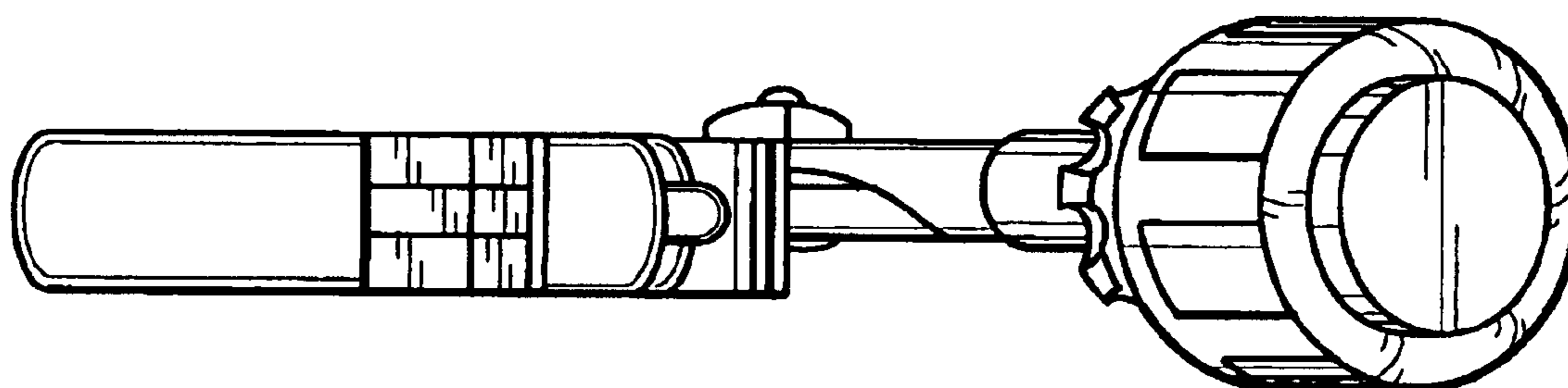


FIG. 12