



US00D520826S

(12) **United States Design Patent**  
**Parlowski**

(10) **Patent No.:** **US D520,826 S**

(45) **Date of Patent:** **\*\* May 16, 2006**

(54) **CAN OPENER**

(75) Inventor: **Jurgen Parlowski**, Brooklyn, NY (US)

(73) Assignee: **Bradshaw International, Inc.**, Rancho Cucamonga, CA (US)

(\*\*) Term: **14 Years**

(21) Appl. No.: **29/211,162**

(22) Filed: **Aug. 11, 2004**

(51) **LOC (8) Cl.** ..... **07-99**

(52) **U.S. Cl.** ..... **D8/41**

(58) **Field of Classification Search** ..... D8/18,  
D8/33-43, 98, 105; D7/372-374, 381, 386,  
D7/669, 693; 7/151-156; 30/400-450; 81/3.07,  
81/3.08, 3.2, 3.35, 3.4

See application file for complete search history.

(56) **References Cited**

**U.S. PATENT DOCUMENTS**

- D440,843 S \* 4/2001 Pitassi et al. .... D8/40
- D441,626 S \* 5/2001 Greiner ..... D8/41

- D454,288 S \* 3/2002 Kilduff ..... D8/41
- D466,771 S \* 12/2002 Chang ..... D8/41
- D471,412 S \* 3/2003 Greiner ..... D8/41
- 2002/0148122 A1 \* 10/2002 Sanchez et al. .... 30/421

\* cited by examiner

*Primary Examiner*—Caron D. Veynar

*Assistant Examiner*—Garth Rademaker

(74) *Attorney, Agent, or Firm*—Birch, Stewart, Kolasch & Birch, LLP

(57) **CLAIM**

The ornamental design for a can opener, as shown.

**DESCRIPTION**

FIG. 1 is a front perspective view of a can opener embodying my new design;

FIG. 2 is a front side elevational view thereof;

FIG. 3 is a rear side elevational view thereof;

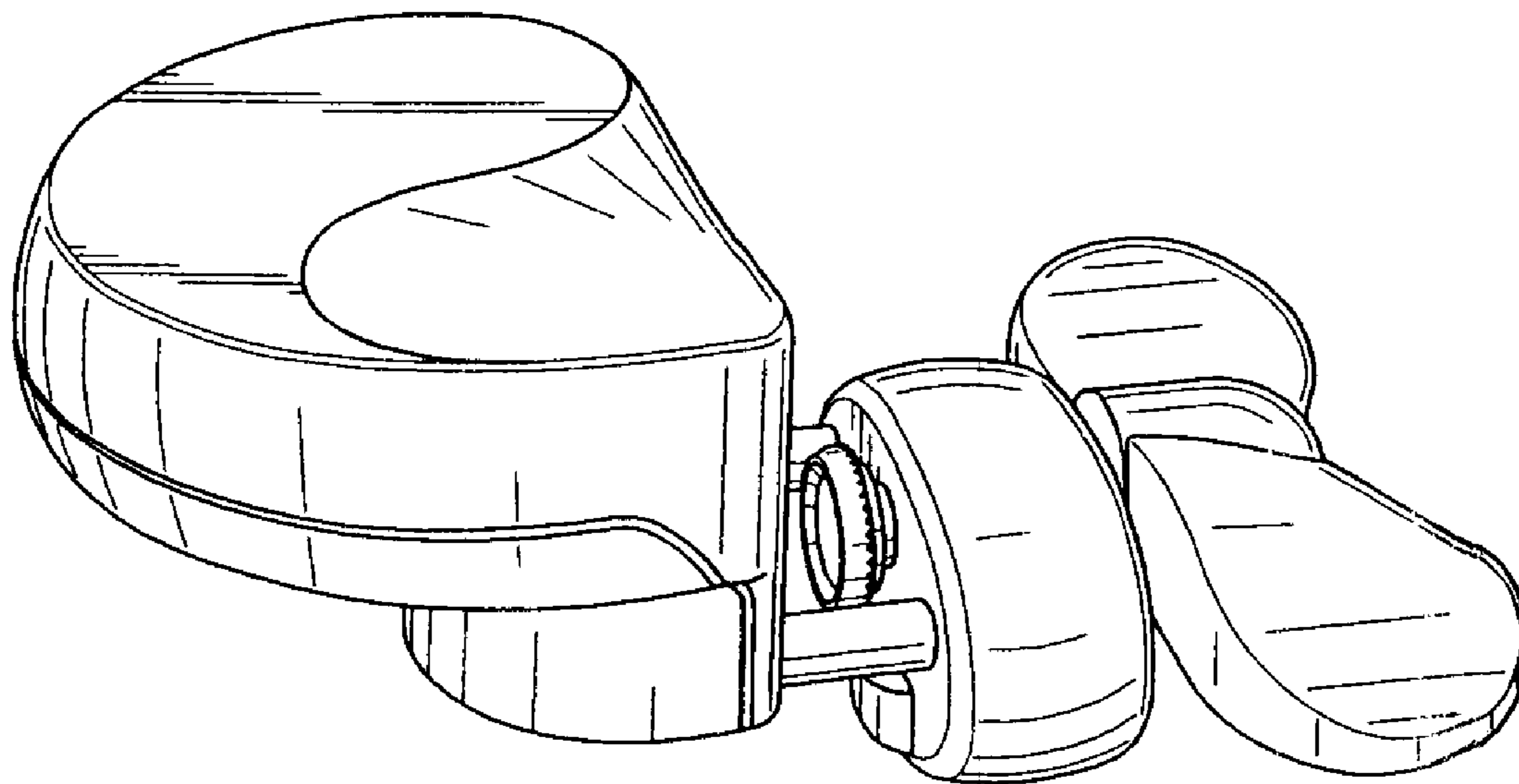
FIG. 4 is a right side elevational view thereof;

FIG. 5 is a left side elevational view thereof;

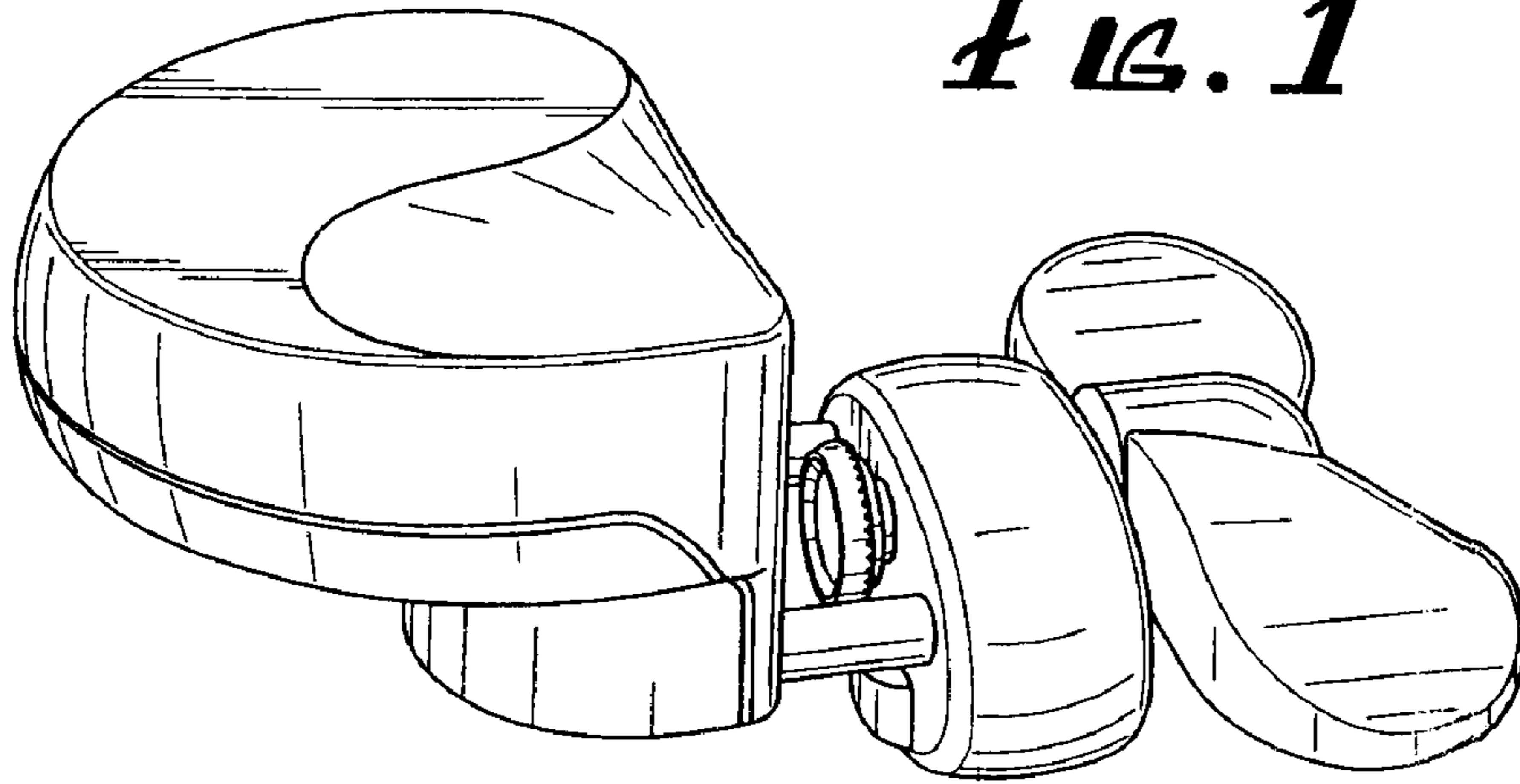
FIG. 6 is a top plan view thereof; and,

FIG. 7 is bottom plan view thereof.

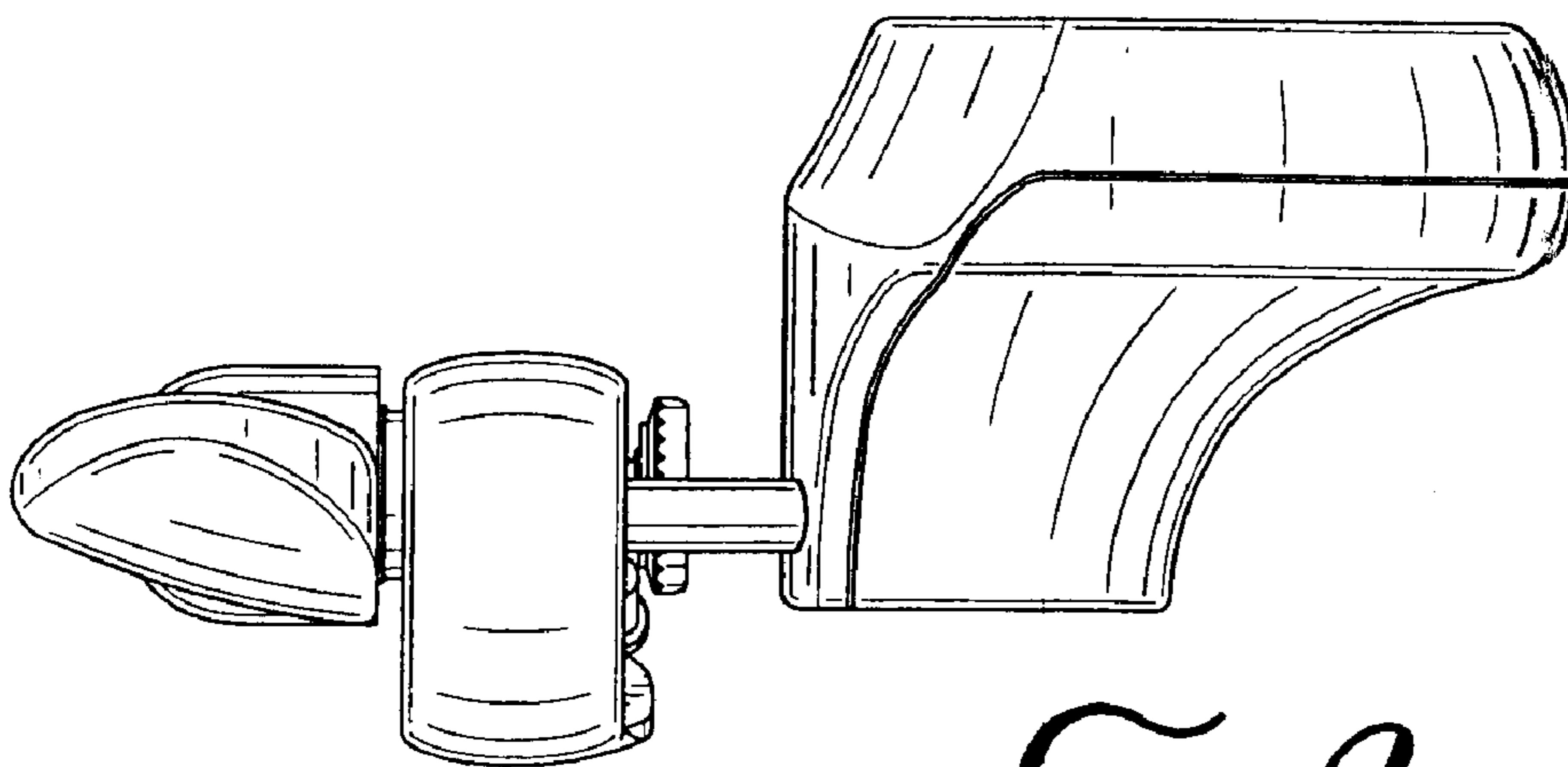
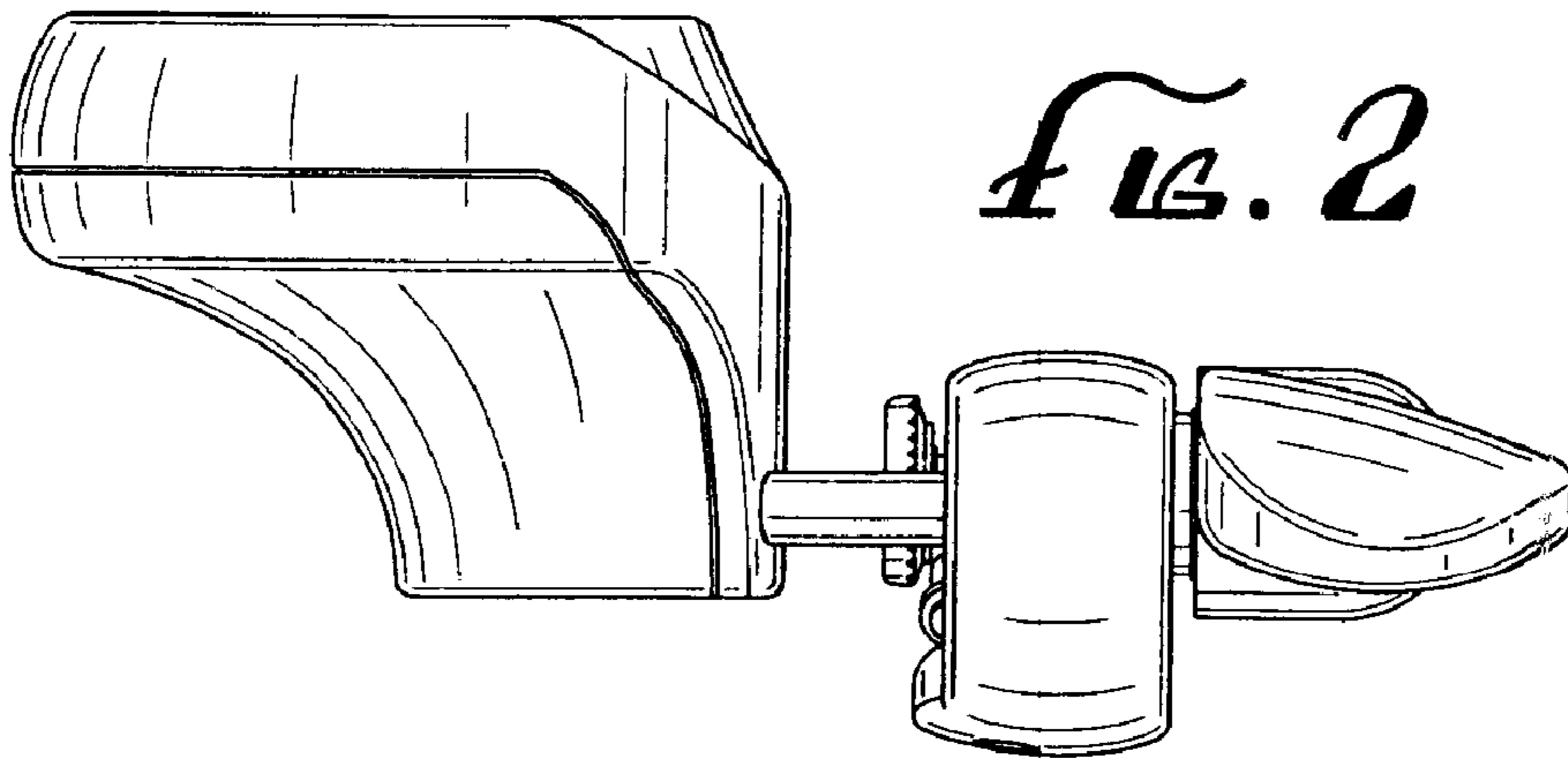
**1 Claim, 3 Drawing Sheets**



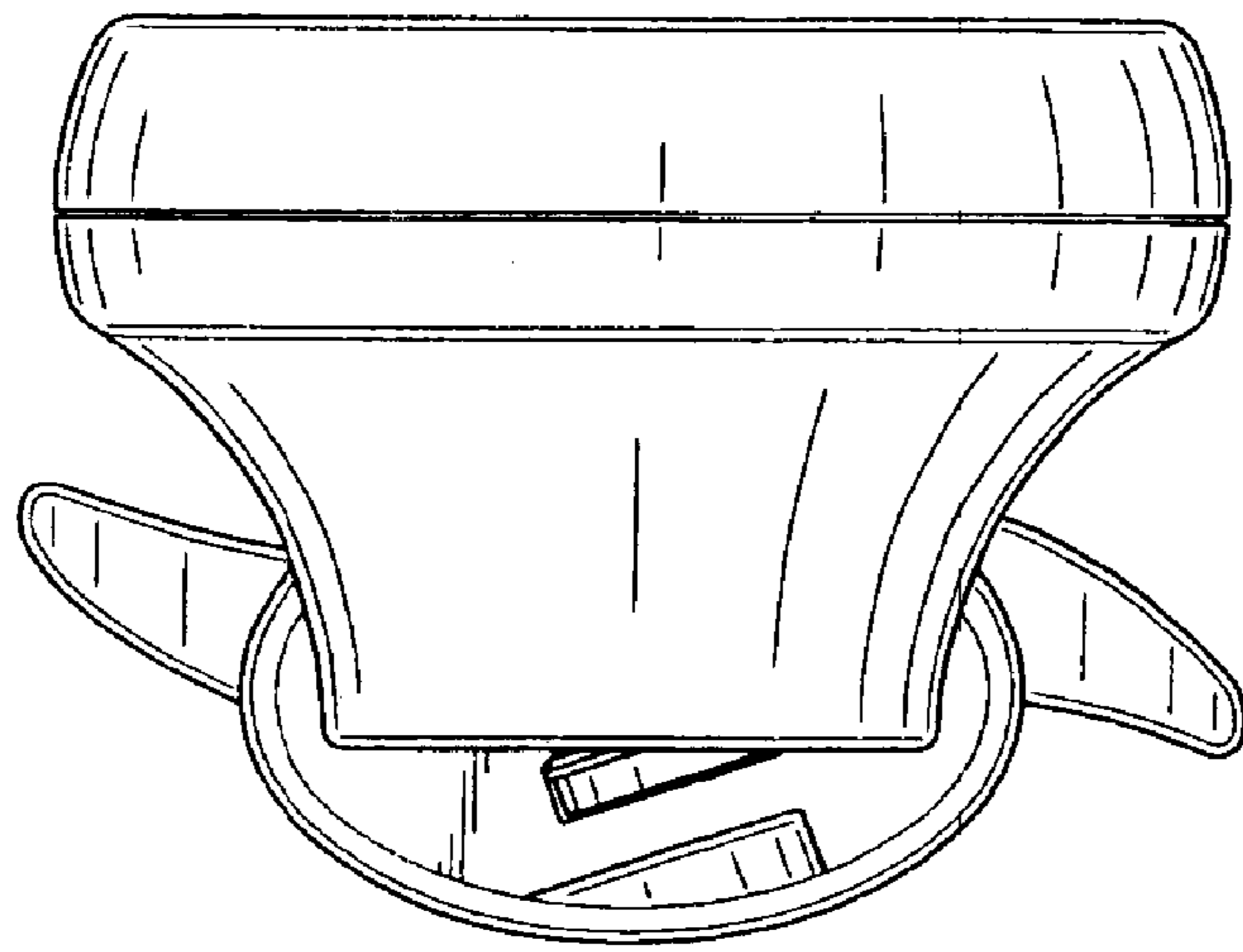
*FIG. 1*



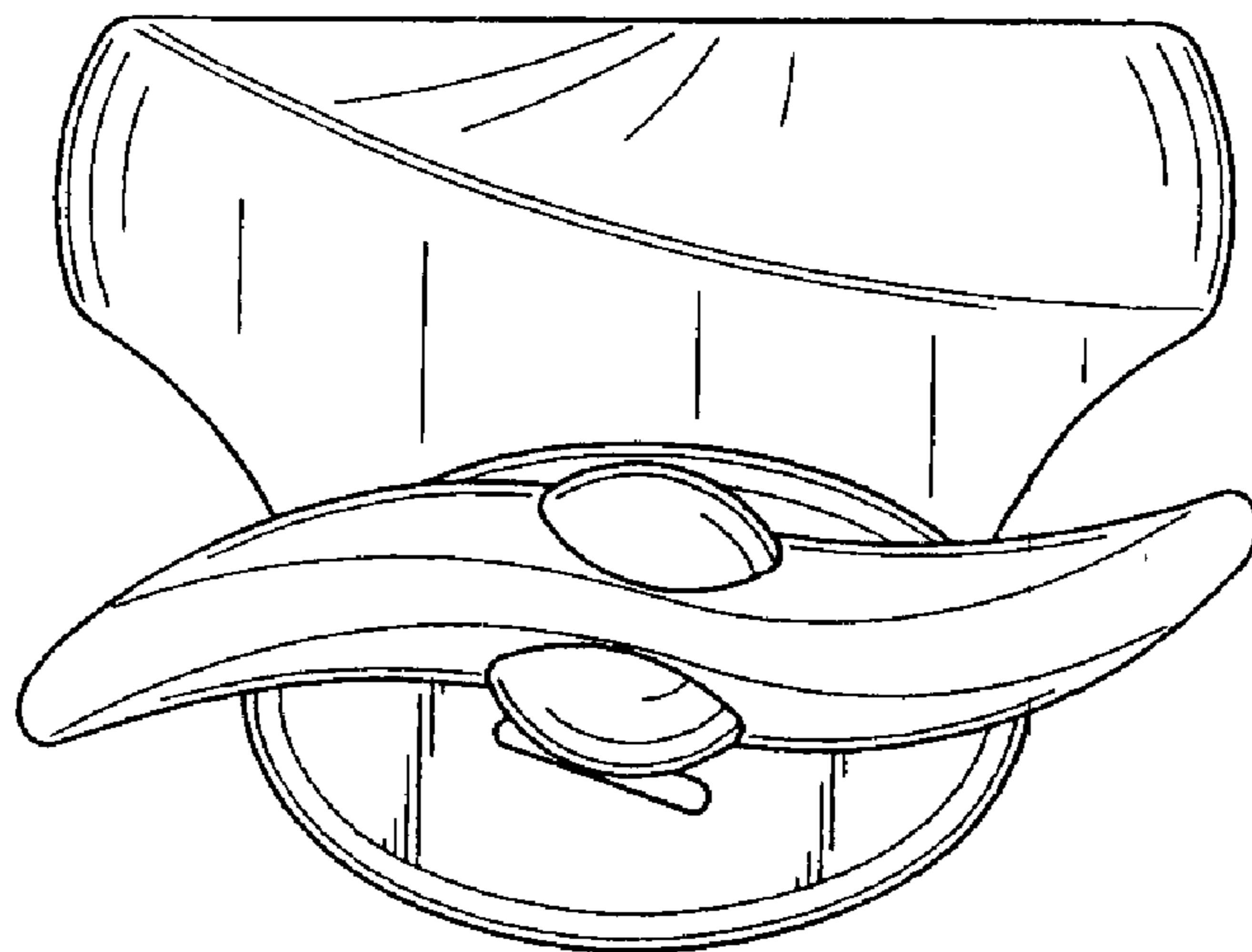
*FIG. 2*



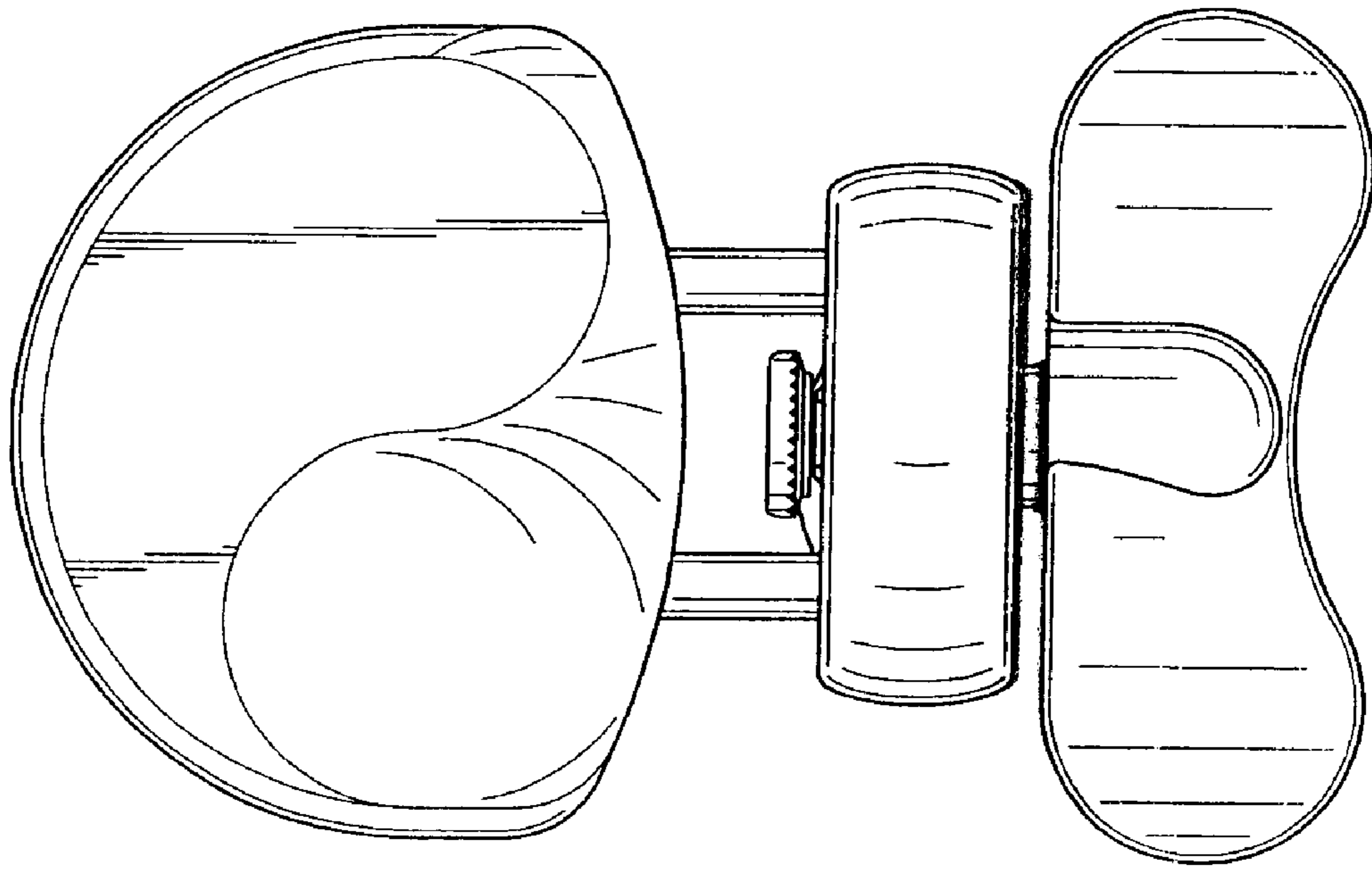
*FIG. 3*



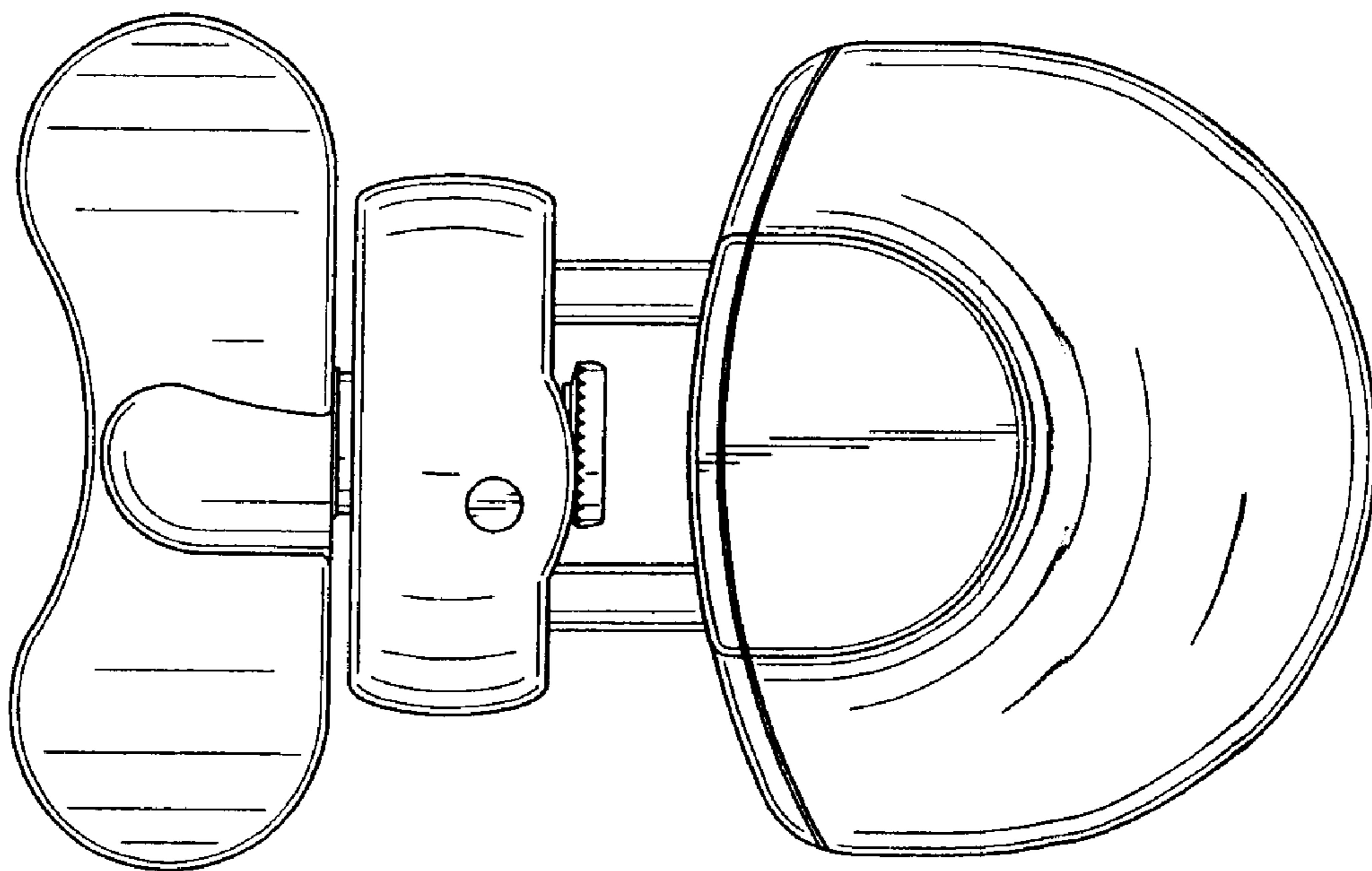
*FIG. 4*



*FIG. 5*



*FIG. 6*



*FIG. 7*