



US00D520821S

(12) **United States Design Patent**
Baron

(10) **Patent No.:** **US D520,821 S**

(45) **Date of Patent:** **** May 16, 2006**

(54) **CHUCK KEY**

D482,586 S * 11/2003 Puerta D8/82

(75) Inventor: **Larry Baron**, Old Bethpage, NY (US)

OTHER PUBLICATIONS

(73) Assignee: **Accurate Manufactured Products Group, Inc.**, Indianapolis, IN (US)

Suppy depot cat. 2001 p. 1265.*

W.I. fuller cat. 2002 p. 108.*

(**) Term: **14 Years**

* cited by examiner

(21) Appl. No.: **29/210,688**

Primary Examiner—Phillip Hyder

Assistant Examiner—Randall H. Gholson

(22) Filed: **Aug. 4, 2004**

(74) *Attorney, Agent, or Firm*—Woodard, Emhardt, Moriarty McNett & Henry LLP

(51) **LOC (8) Cl.** **08-05**

(52) **U.S. Cl.** **D8/21**

(58) **Field of Classification Search** D8/14,
D8/21, 29, 82, 83, 84, 85, 86, 87, 107; 7/165,
7/167, 170; 81/90, 439, 177.2

(57) **CLAIM**

The ornamental design for a chuck key, as shown and described.

See application file for complete search history.

DESCRIPTION

(56) **References Cited**

FIG. 1 is a front view of the chuck key incorporating my new design.

FIG. 2 is a top view.

FIG. 3 is a bottom view.

FIG. 4 is an enlarged left view.

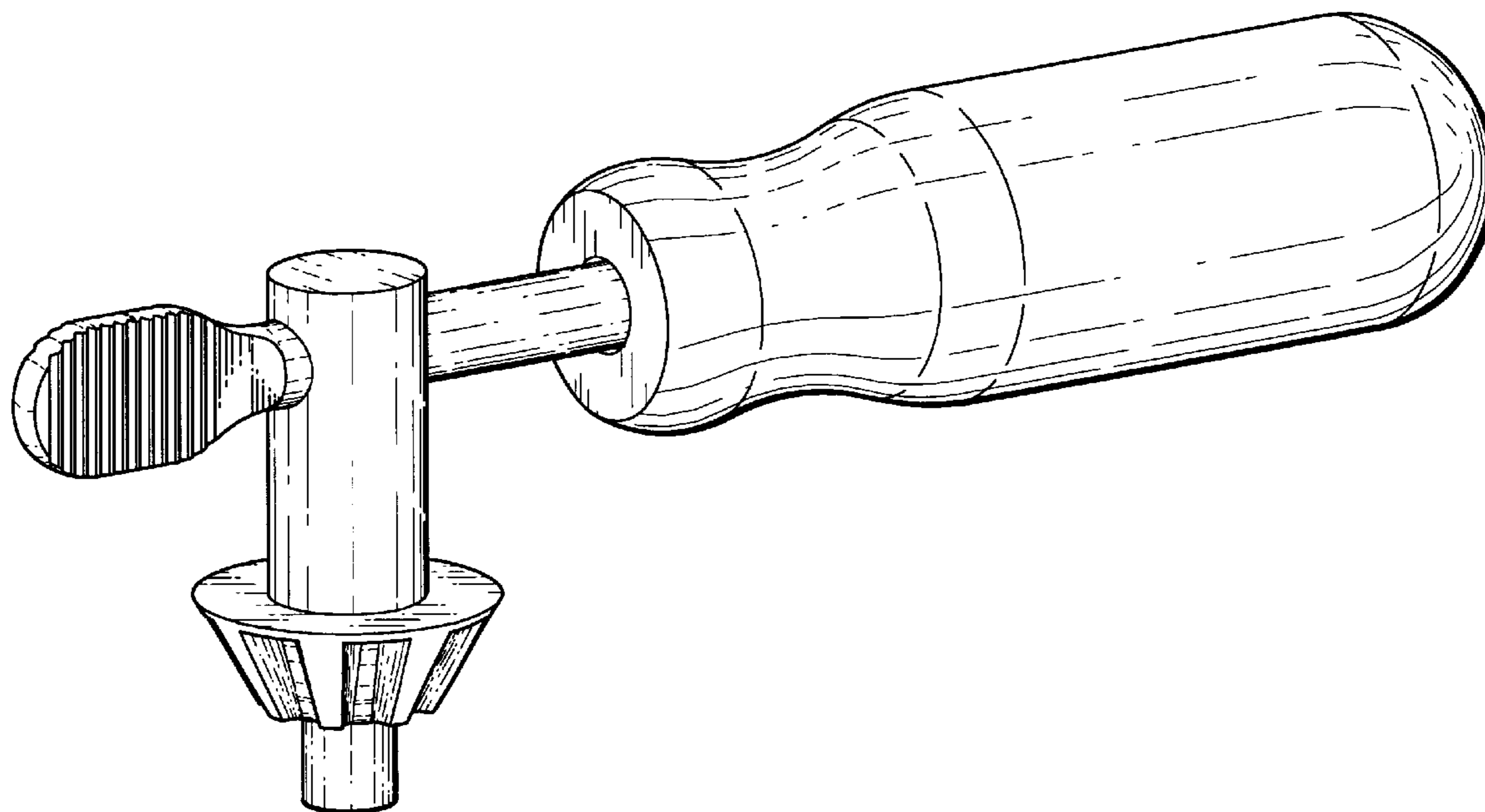
FIG. 5 is an enlarged right view; and,

FIG. 6 is a perspective view.

U.S. PATENT DOCUMENTS

2,012,147	A	*	8/1935	Stoner	81/16
2,609,719	A	*	9/1952	Lilley	81/16
D287,695	S	*	1/1987	Abril	D8/82
D322,740	S	*	12/1991	McCart	D8/21
6,378,402	B1	*	4/2002	Kalomeris et al.	81/177.5

1 Claim, 3 Drawing Sheets



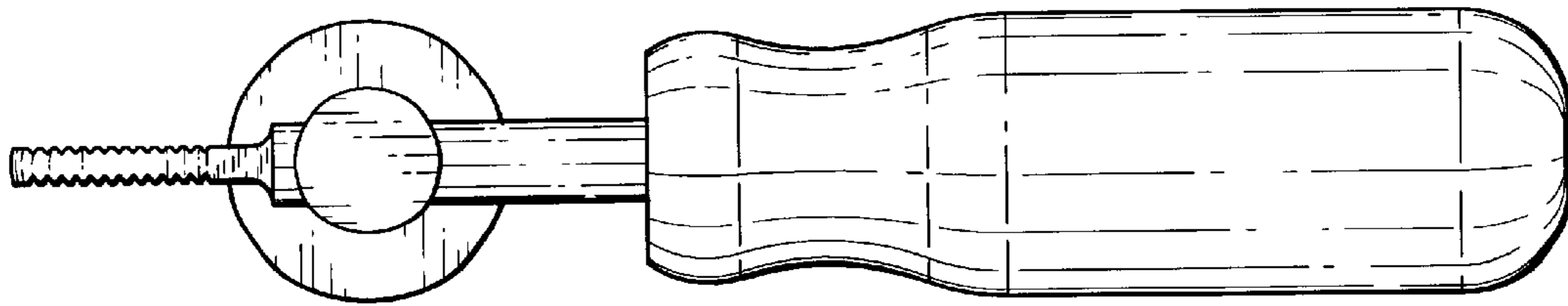


Fig. 2

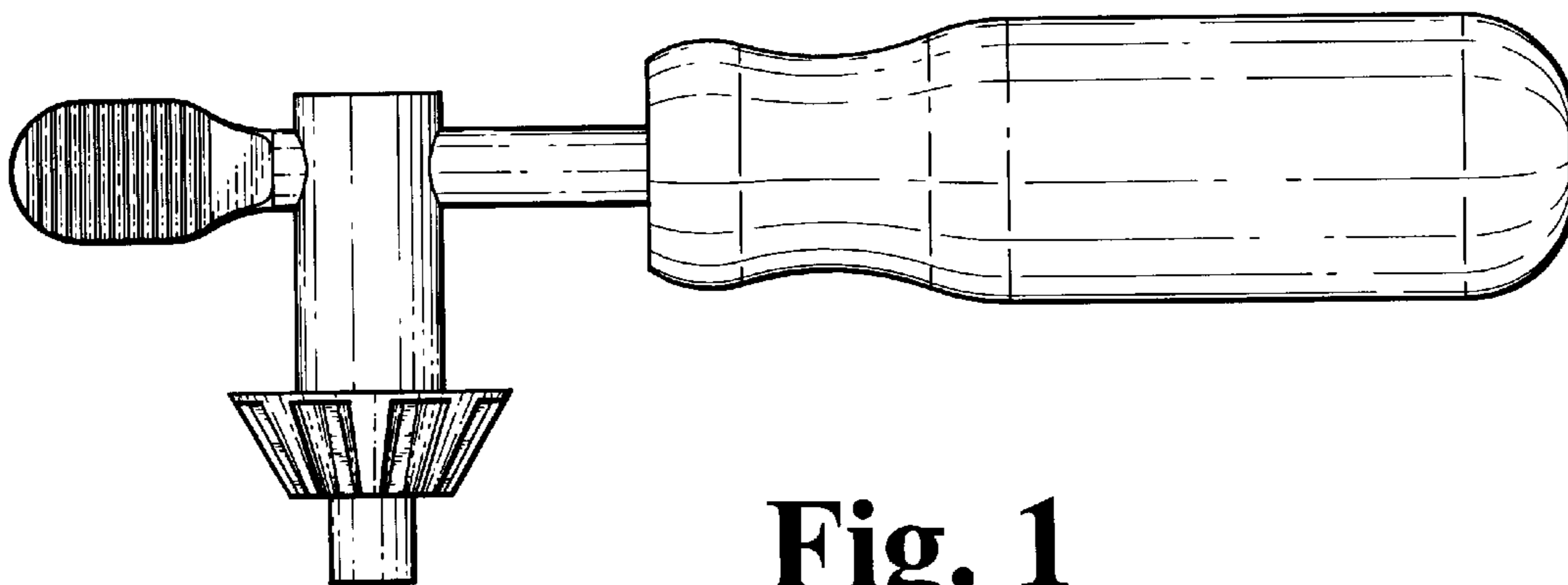


Fig. 1

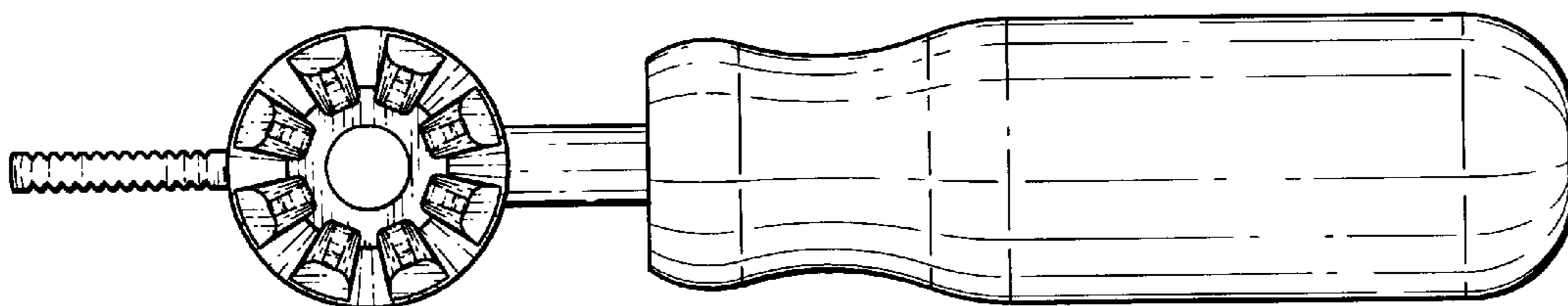


Fig. 3

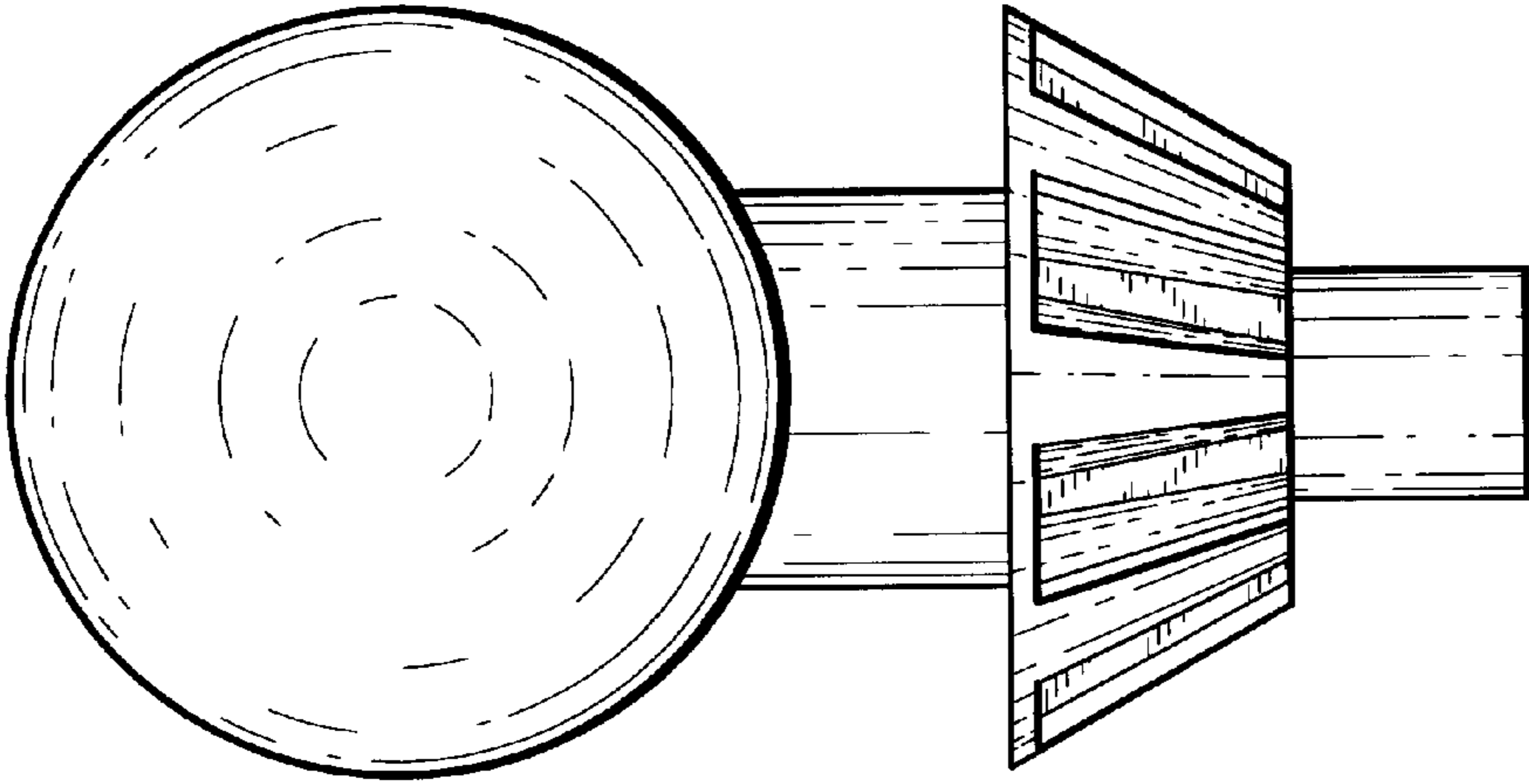


Fig. 5

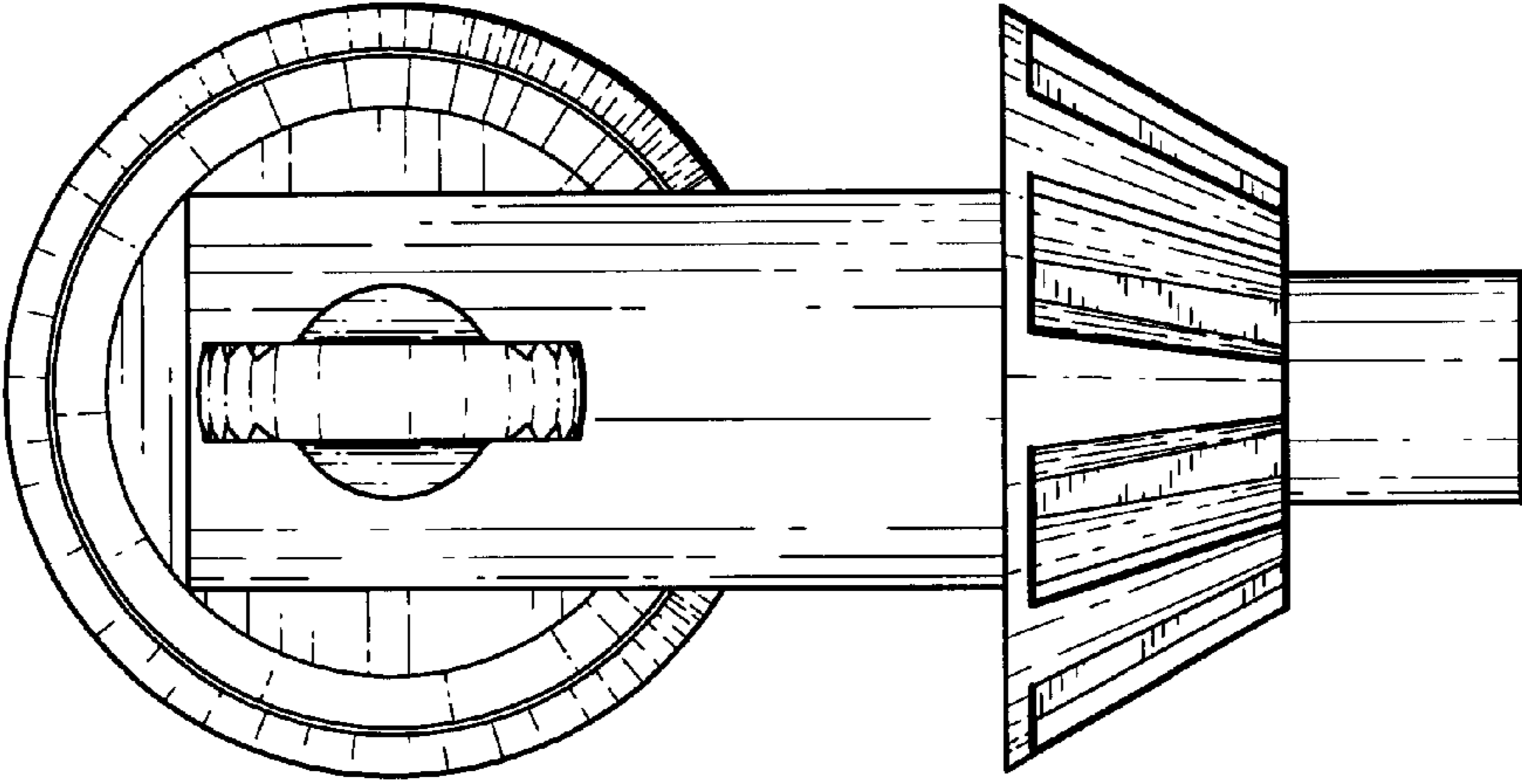


Fig. 4

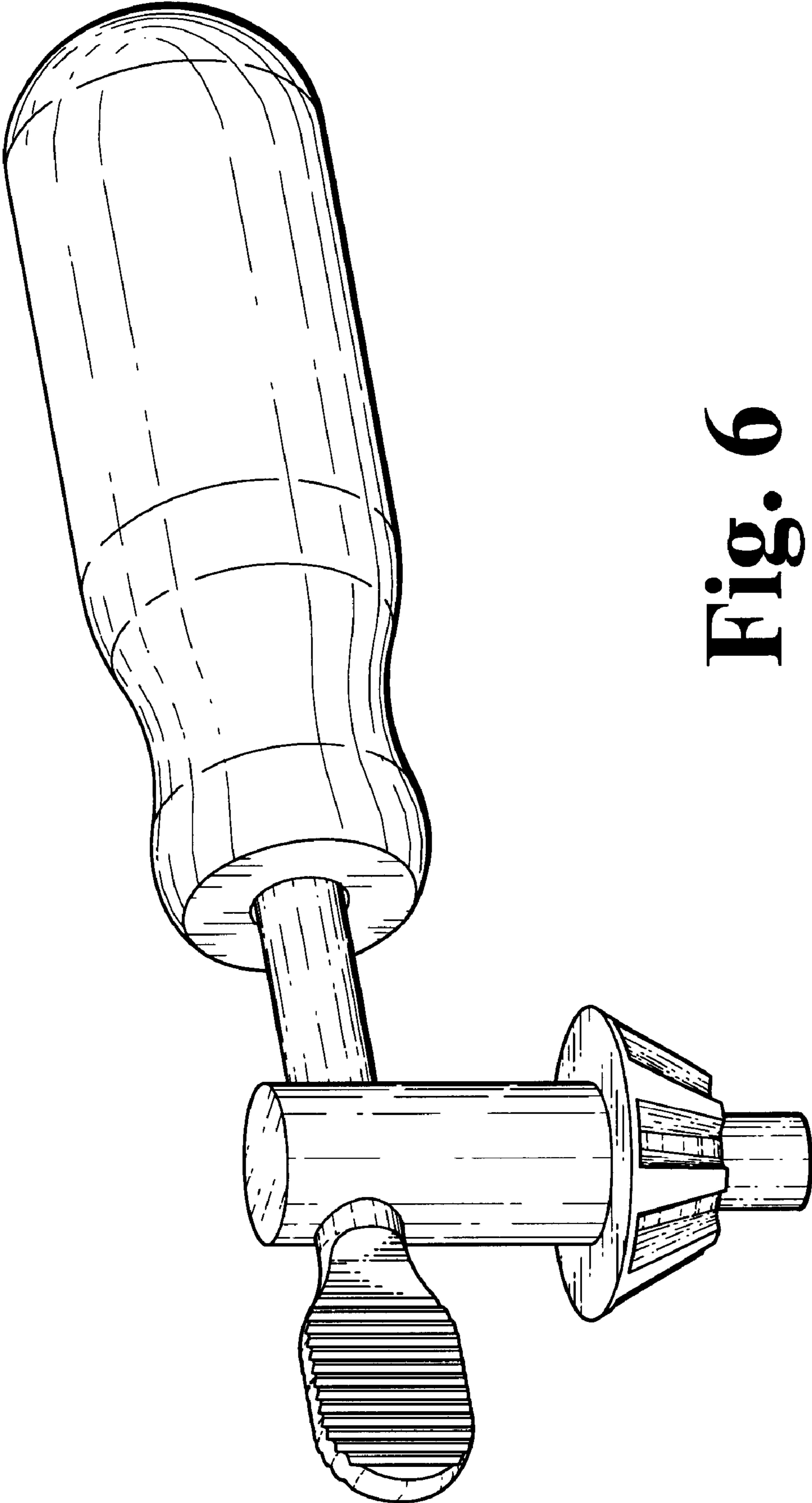


Fig. 6