



US00D520819S

(12) **United States Design Patent**
Onembo

(10) **Patent No.:** **US D520,819 S**

(45) **Date of Patent:** **** May 16, 2006**

(54) **SHOVEL HANDLE**

(76) **Inventor:** **James Onembo**, 65 Union Corners Rd.,
Warwick, NY (US) 10990

(**) **Term:** **14 Years**

(21) **Appl. No.:** **29/215,759**

(22) **Filed:** **Oct. 22, 2004**

(51) **LOC (8) Cl.** **08-01**

(52) **U.S. Cl.** **D8/10**

(58) **Field of Classification Search** D8/10;
294/57-58

See application file for complete search history.

(56) **References Cited**

U.S. PATENT DOCUMENTS

1,586,056	A	*	5/1926	Walsh	294/58
4,129,327	A		12/1978	Moore, Jr.	294/58
5,133,582	A	*	7/1992	Rocha	294/58
5,159,775	A		11/1992	Sutula	43/21.2

D377,300	S	*	1/1997	Fredrick von Essen	D8/10
5,669,650	A	*	9/1997	Rutz	294/58
5,921,600	A	*	7/1999	Lucas	294/58
D441,623	S	*	5/2001	Storlie	D8/10

* cited by examiner

Primary Examiner—Holly H. Baynham

(74) *Attorney, Agent, or Firm*—Goldstein Law Offices, P.C.

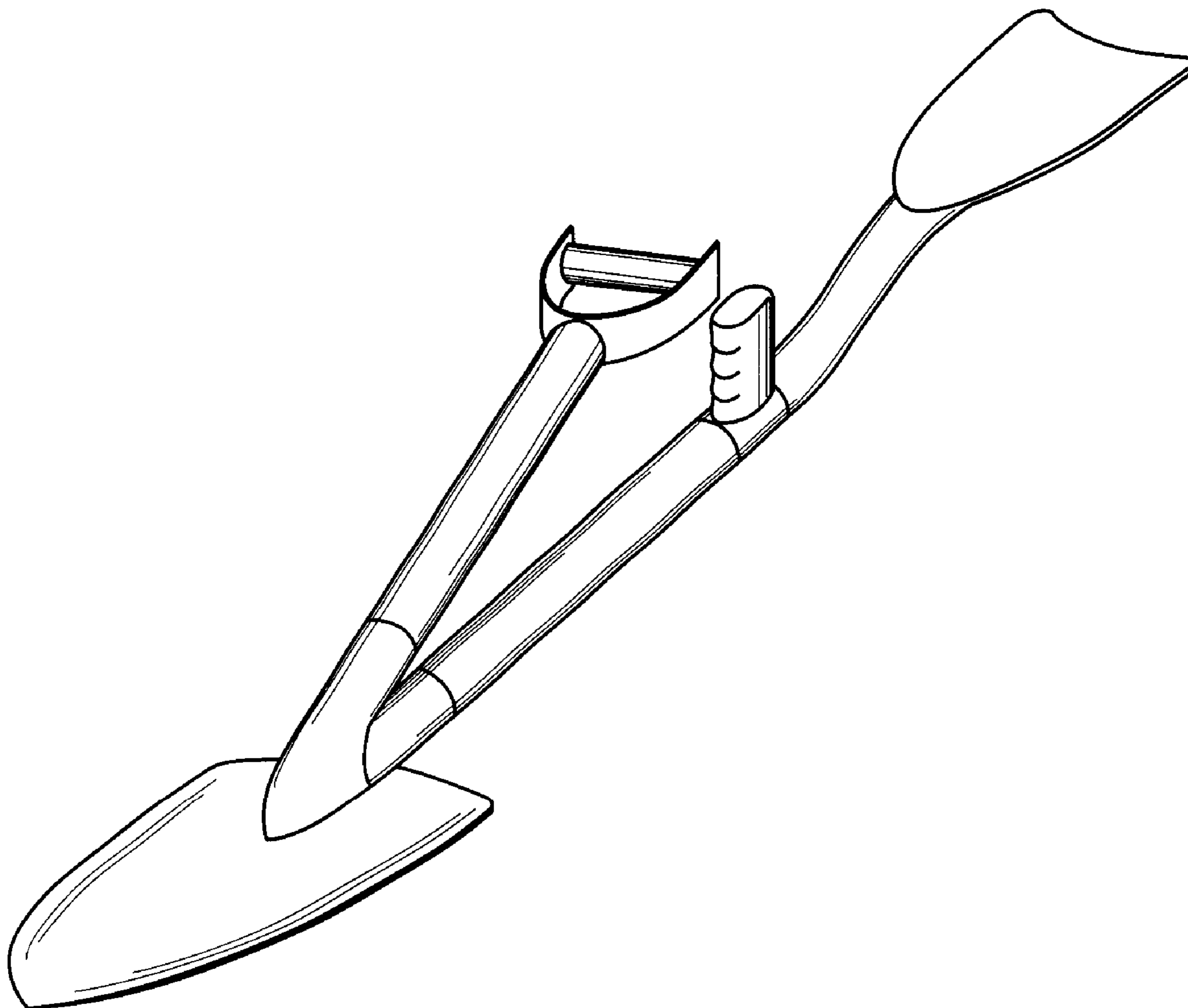
(57) **CLAIM**

The ornamental design for a shovel handle, as shown and described.

DESCRIPTION

FIG. 1 is a perspective view of the shovel handle in full lines.
FIG. 2 is a front elevational view of the shovel handle.
FIG. 3 is a rear elevational view thereof.
FIG. 4 is a right side elevational view thereof.
FIG. 5 is a left side elevational view thereof.
FIG. 6 is top plan view thereof; and,
FIG. 7 is a bottom plan view thereof.

1 Claim, 3 Drawing Sheets



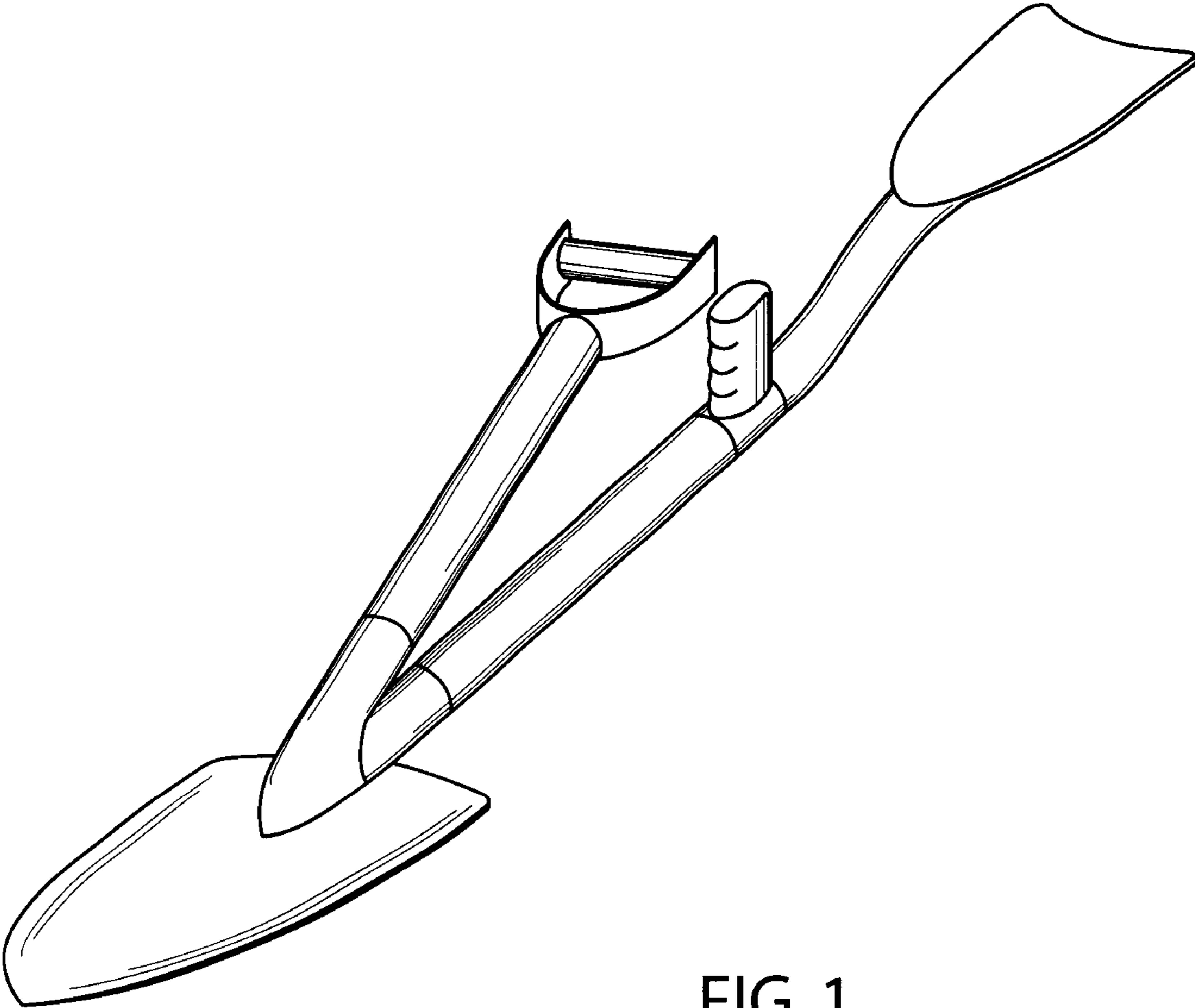


FIG. 1

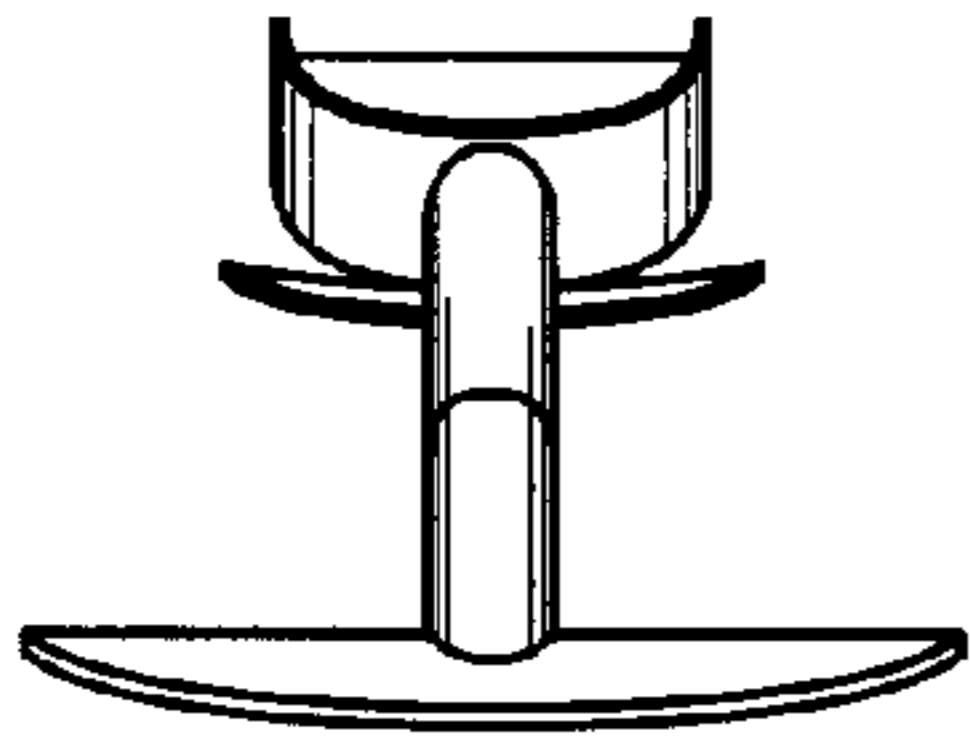


FIG. 2

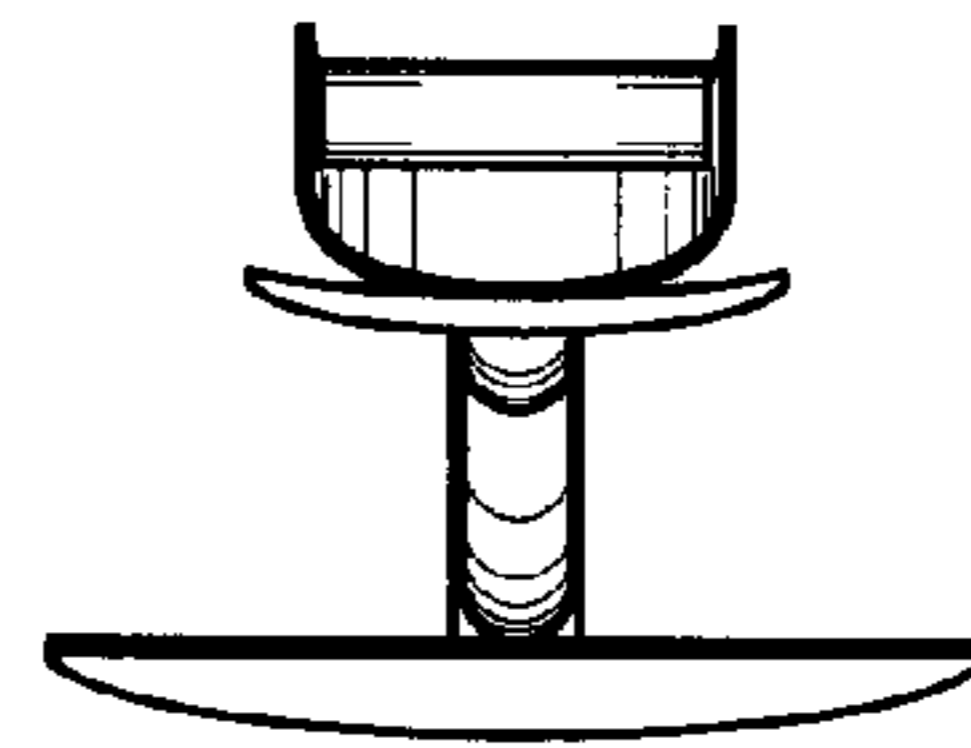


FIG. 3

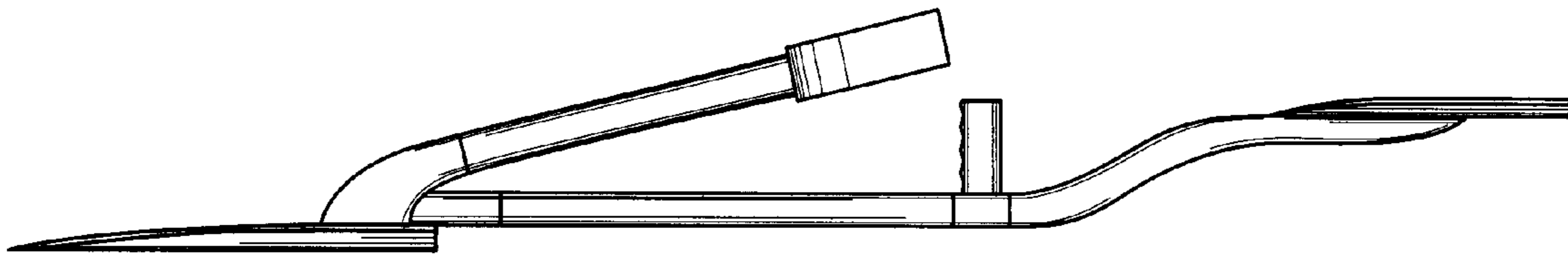


FIG. 4

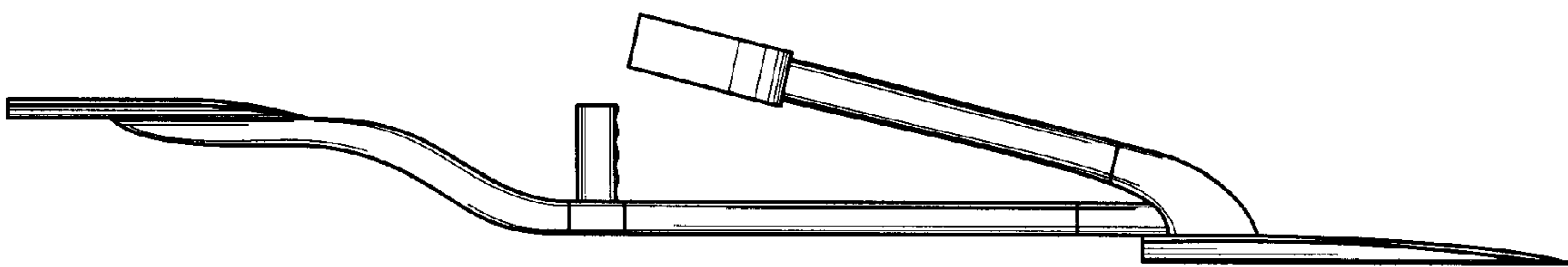


FIG. 5

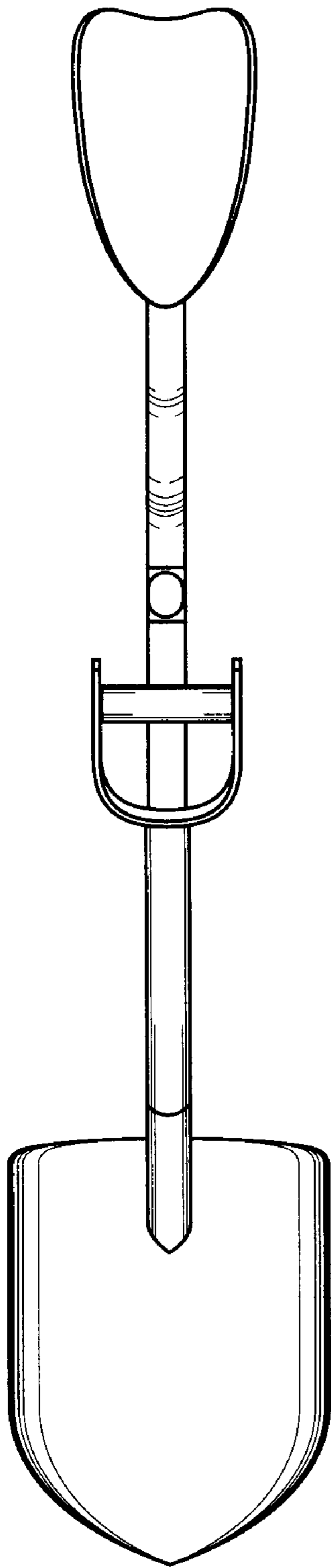


FIG. 6

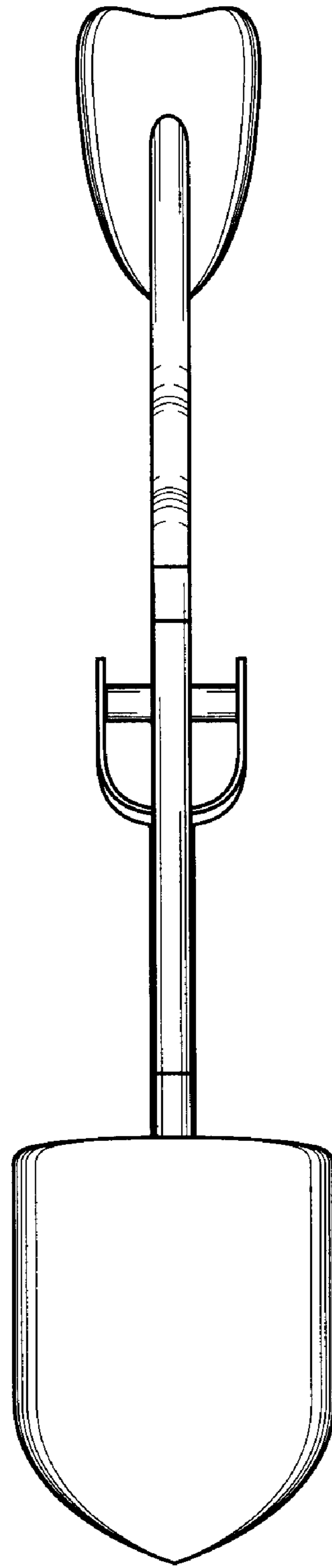


FIG. 7