

US00D520808S

(12) **United States Design Patent** (10) **Patent No.:** **US D520,808 S**
Beesley et al. (45) **Date of Patent:** **** May 16, 2006**

- (54) **BEVERAGE MIXER AND HEATER**
- (75) Inventors: **Brian K. Beesley**, Holladay, UT (US);
Thomas E. Daniels, Jr., Sandy, UT (US)
- (73) Assignee: **Back to Basics Products, Inc.**,
Bluffdale, UT (US)
- (**) Term: **14 Years**
- (21) Appl. No.: **29/221,365**
- (22) Filed: **Jan. 14, 2005**

- | | | |
|-------------|---------|----------------|
| 3,013,775 A | 12/1961 | Bruntjen |
| D194,389 S | 1/1963 | Bejamin |
| 3,088,345 A | 5/1963 | Campbell |
| 3,104,089 A | 9/1963 | Seltsam |
| 3,107,711 A | 10/1963 | Azmus |
| D200,230 S | 2/1965 | Seltsam |
| D205,827 S | 9/1966 | Plagenberg |
| 3,346,209 A | 10/1967 | Harris |
| 3,355,068 A | 11/1967 | Harland et al. |
| 3,417,972 A | 12/1968 | Vincent |
| 3,427,636 A | 2/1969 | Seifert |
| 3,765,275 A | 10/1973 | Johnson |
| 3,780,393 A | 12/1973 | Gaetke |
| 3,895,548 A | 7/1975 | Sauve |
| 3,920,224 A | 11/1975 | Fassauer |
| 4,030,707 A | 6/1977 | Moreton |

Related U.S. Application Data

- (63) Continuation of application No. 10/959,491, filed on Oct. 5, 2004.

- (51) **LOC (8) Cl.** **31-00**
- (52) **U.S. Cl.** **D7/378**
- (58) **Field of Classification Search** D7/376-380,
D7/300, 305, 309, 384, 316-318, 323, 368;
99/324, 325, 339, 340, 357, 501, 509-511;
219/620-622, 628, 725-735; 241/33, 101.01,
241/101.1, 101.2, 101.6; 366/64-67, 144,
366/146, 147, 197, 199, 205, 241, 282, 304,
366/342, 348, 349

See application file for complete search history.

(56) **References Cited**

U.S. PATENT DOCUMENTS

- | | | |
|-------------|---------|-------------|
| 1,412,536 A | 4/1922 | Mayer |
| 1,874,079 A | 8/1932 | Black |
| 2,066,997 A | 1/1937 | Mueller |
| 2,070,545 A | 2/1937 | Gilbert |
| 2,282,866 A | 5/1942 | Hagen |
| 2,311,379 A | 2/1943 | Gillanders |
| 2,315,018 A | 3/1943 | Lawrence |
| D156,635 S | 12/1949 | Law et al. |
| 2,559,196 A | 7/1951 | Medved |
| 2,785,547 A | 3/1957 | Barros |
| D183,177 S | 7/1958 | Oertli |
| 2,945,634 A | 7/1960 | Beck et al. |
| D189,904 S | 3/1961 | Seltsam |

(Continued)

OTHER PUBLICATIONS

Owner's Manual & Recipe Book, Automatic Hot Milk Frother, Froth Aulait Models FAL-W & FAL-B.
Operating Instructions for the Mr. Coffee Cocomotion Hot Chocolate Maker, pp 1-16.

Primary Examiner—Caron D. Veynar
Assistant Examiner—Ricky Pham
(74) *Attorney, Agent, or Firm*—Thorpe North & Western

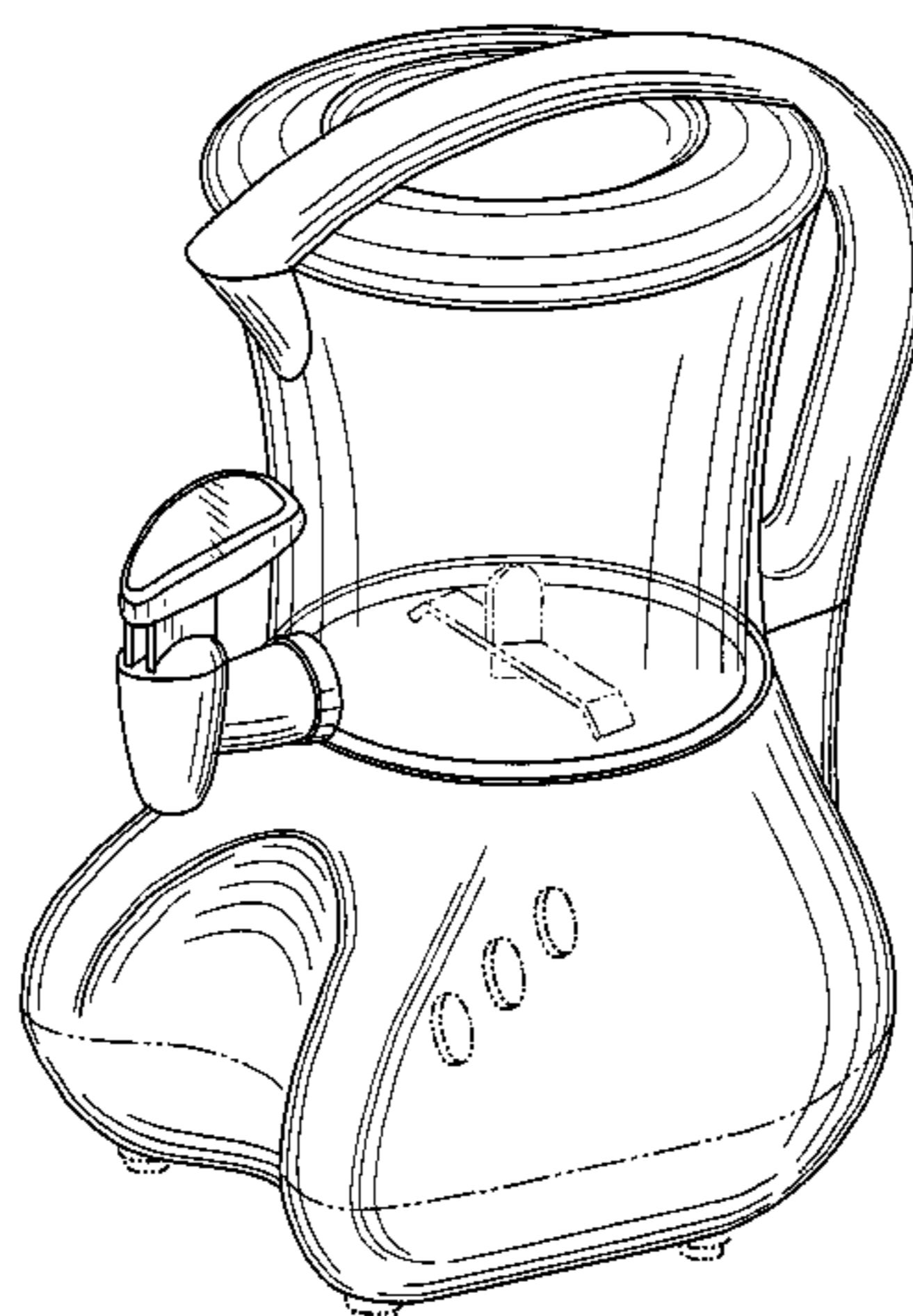
(57) **CLAIM**

The ornamental design for a beverage mixer and heater, as shown and described.

DESCRIPTION

FIG. 1 is an elevated, perspective view of the beverage mixer and heater in accordance with my invention;
FIG. 2 is a left side elevation view thereof;
FIG. 3 is a right side elevation view thereof;
FIG. 4 is a front elevation view thereof;
FIG. 5 is a back elevation view thereof;
FIG. 6 is a top plan view thereof; and,
FIG. 7 is a bottom plan view thereof.
The broken lines shown in FIGS. 1-7 are for illustrative purposes only and form no part of the claimed design.

1 Claim, 6 Drawing Sheets



US D520,808 S

Page 2

U.S. PATENT DOCUMENTS					
D249,701 S	9/1978	Maples et al.	D370,151 S	5/1996	McLinden et al.
4,116,366 A	9/1978	Takenakashima et al.	D378,400 S	3/1997	Kowalics
4,137,578 A	2/1979	Felici	D379,050 S	5/1997	Kohanski
4,201,487 A	5/1980	Backhaus	5,662,032 A	9/1997	Baratta
4,250,771 A	2/1981	Berler	D412,262 S	7/1999	Roundtree
4,252,160 A	2/1981	Numbers	6,065,861 A	5/2000	Chen
4,268,080 A	5/1981	Lindley	6,158,626 A	12/2000	Guerra et al.
4,357,861 A	11/1982	Di Girolamo	6,283,625 B1	9/2001	Frankel et al.
D267,841 S	2/1983	Leslie	6,318,247 B1	11/2001	Di Nunzio et al.
D268,811 S	5/1983	Black	D463,194 S	9/2002	Busick et al.
D269,471 S	6/1983	Auerbach	6,527,433 B1	3/2003	Daniels, Jr.
4,395,792 A	8/1983	Cosner	D473,421 S	4/2003	Daniels, Jr.
4,397,427 A	8/1983	Howard	D474,065 S	5/2003	Daniels, Jr.
D271,368 S	11/1983	Belland et al.	D474,067 S	5/2003	Daniels, Jr.
4,488,664 A	12/1984	Cleland	D474,643 S	5/2003	Daniels, Jr.
4,501,538 A	2/1985	Bray et al.	D482,235 S	11/2003	Yui
4,513,688 A	4/1985	Fassauer	D483,607 S *	12/2003	Chang Chien D7/384
4,537,332 A	8/1985	Brown et al.	D491,423 S *	6/2004	Stamper et al. D7/665
4,561,782 A	12/1985	Jacobsen et al.	D493,331 S	7/2004	Munoz
D295,138 S	4/1988	Hyde	D503,869 S *	4/2005	Hei D7/378
5,048,402 A	9/1991	Letournel et al.	D504,277 S *	4/2005	Hei D7/378
D337,234 S	7/1993	McGinnis	2001/0006486 A1	7/2001	Ofverberg
5,302,021 A	4/1994	Jennett et al.	2002/0080678 A1	6/2002	Daniel, Jr.
5,323,691 A	6/1994	Reese et al.	2003/0099154 A1	5/2003	Daniels, Jr.
D363,634 S	10/1995	Cohn	2005/0018534 A1 *	1/2005	Nikkah 366/205
5,479,851 A	1/1996	McClean et al.			

* cited by examiner

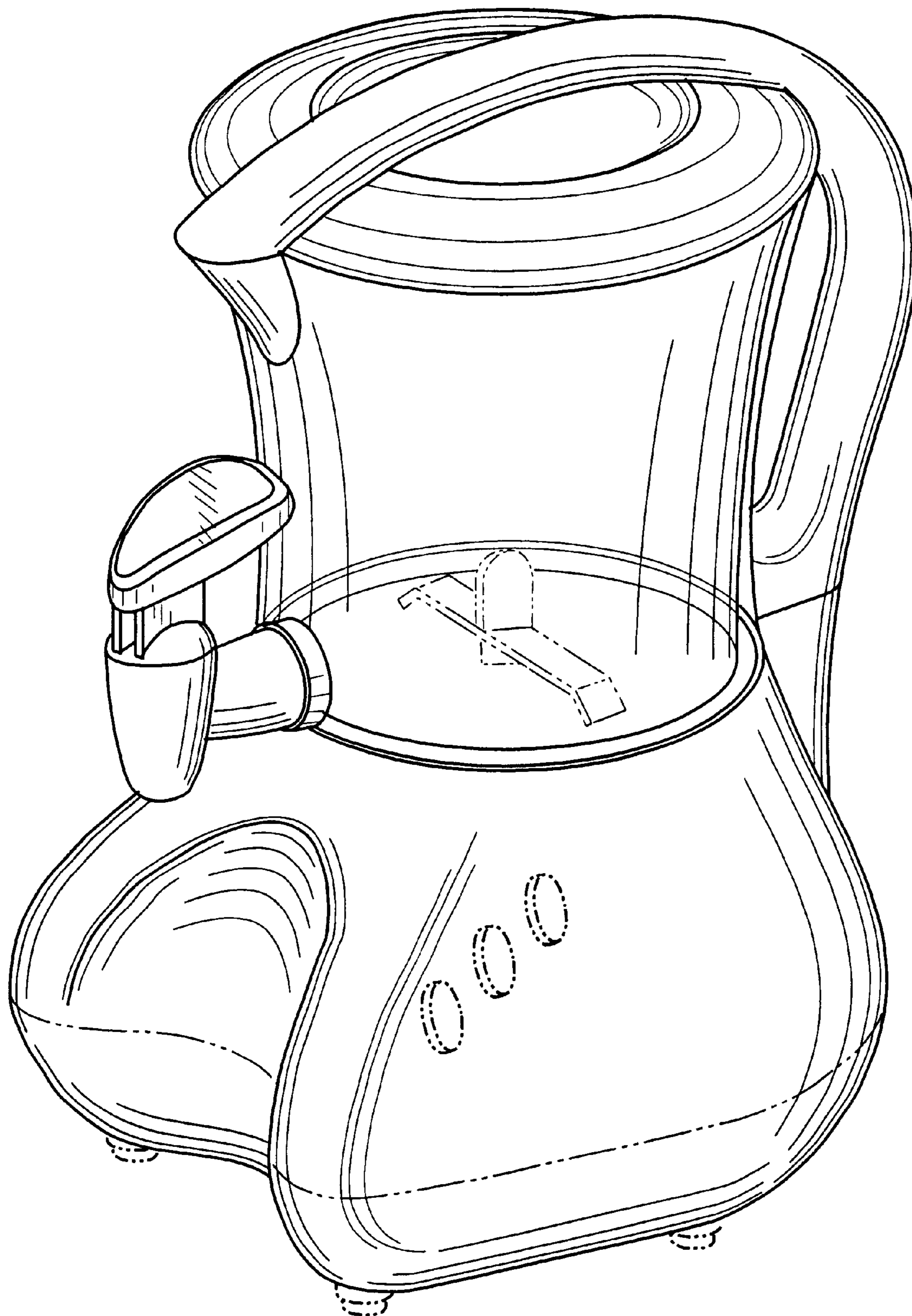


FIG. 1

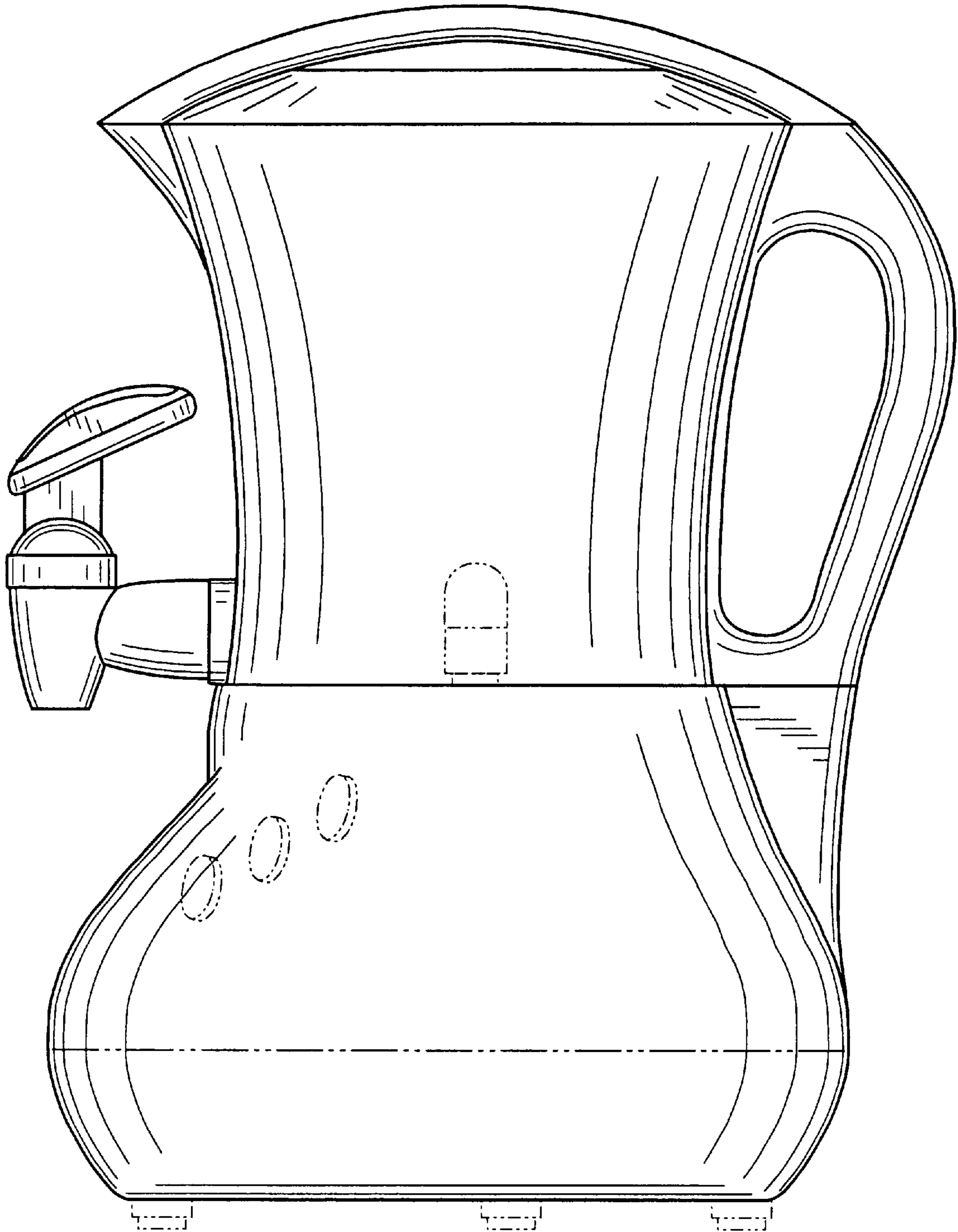


FIG. 2

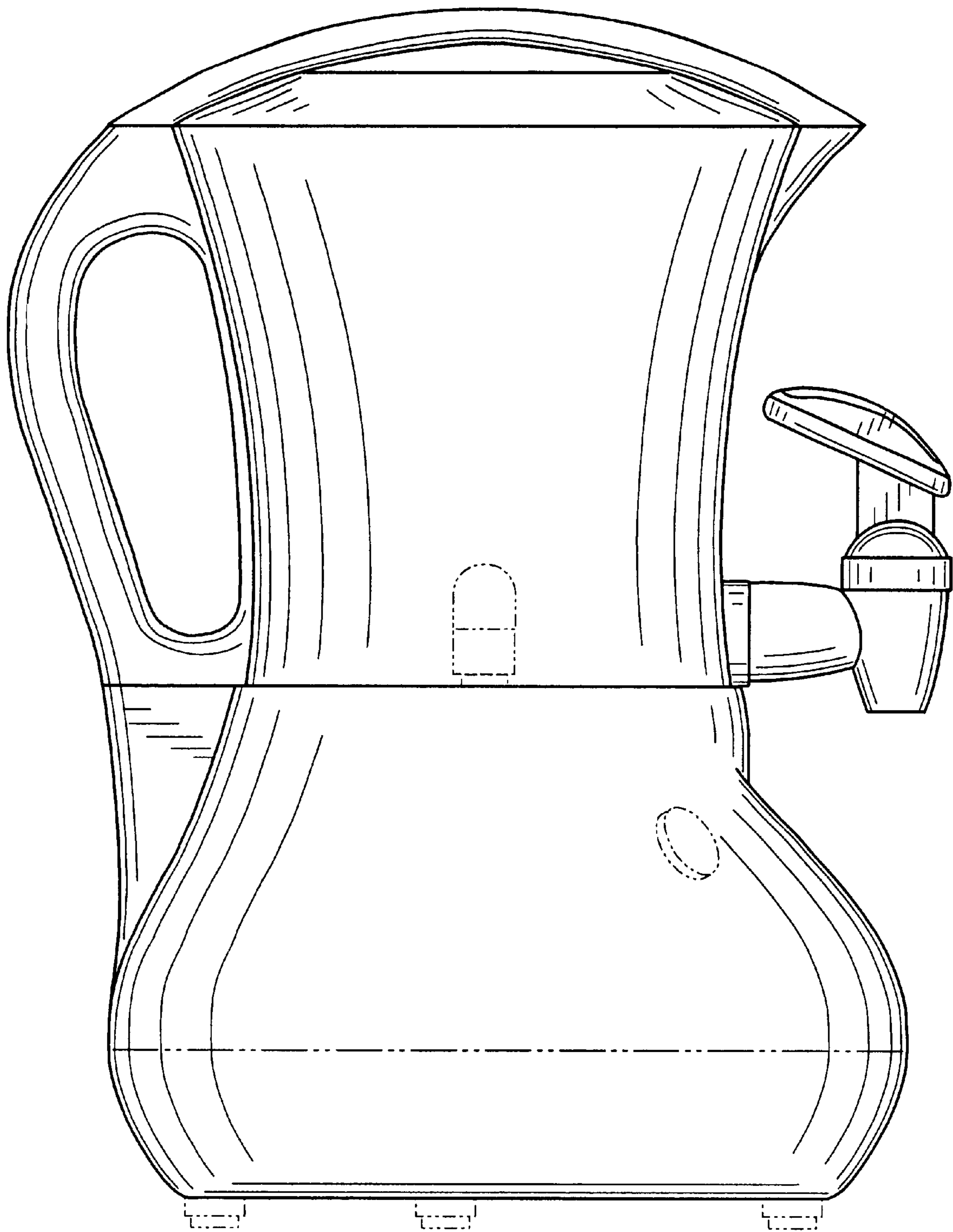


FIG. 3

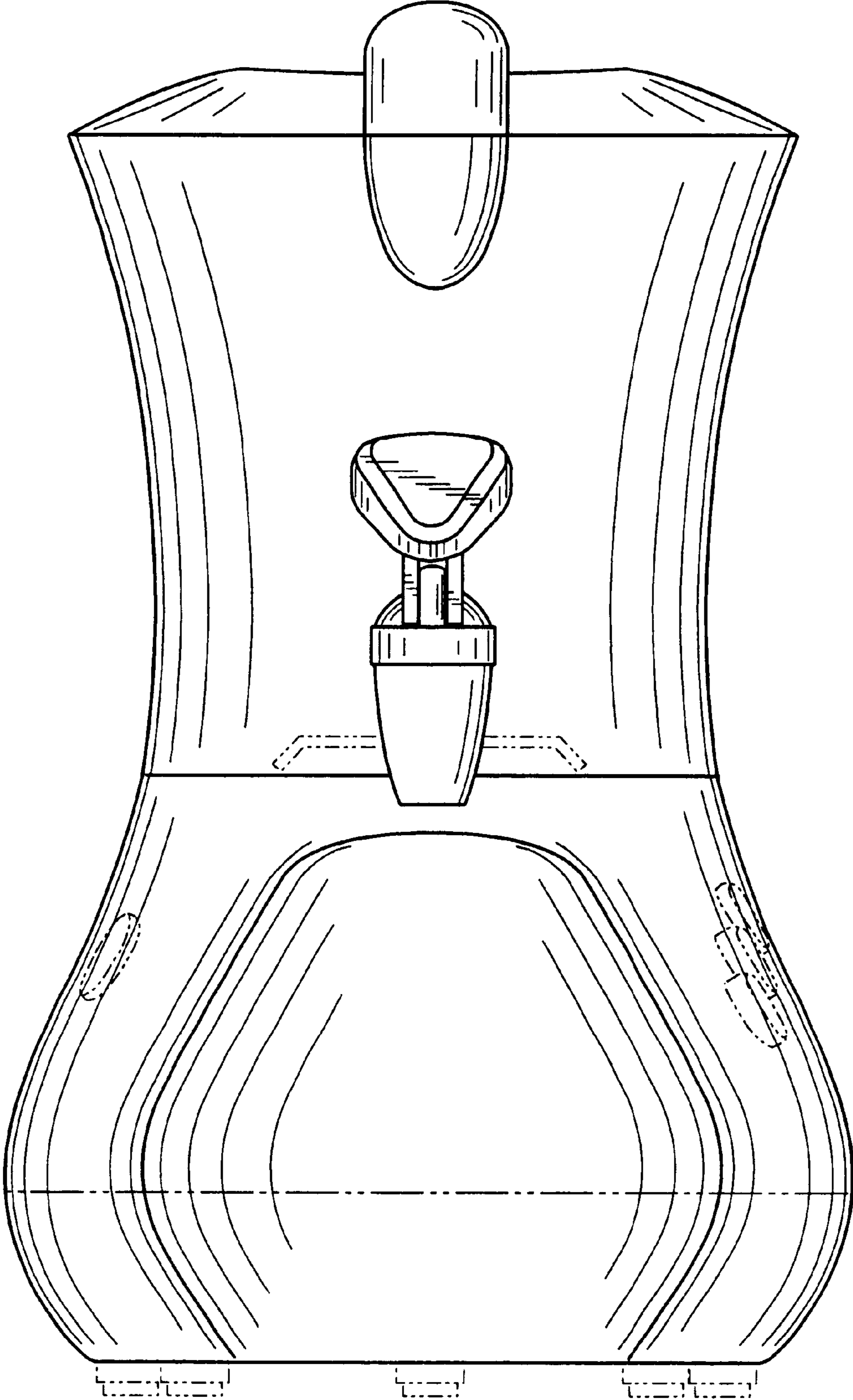


FIG. 4

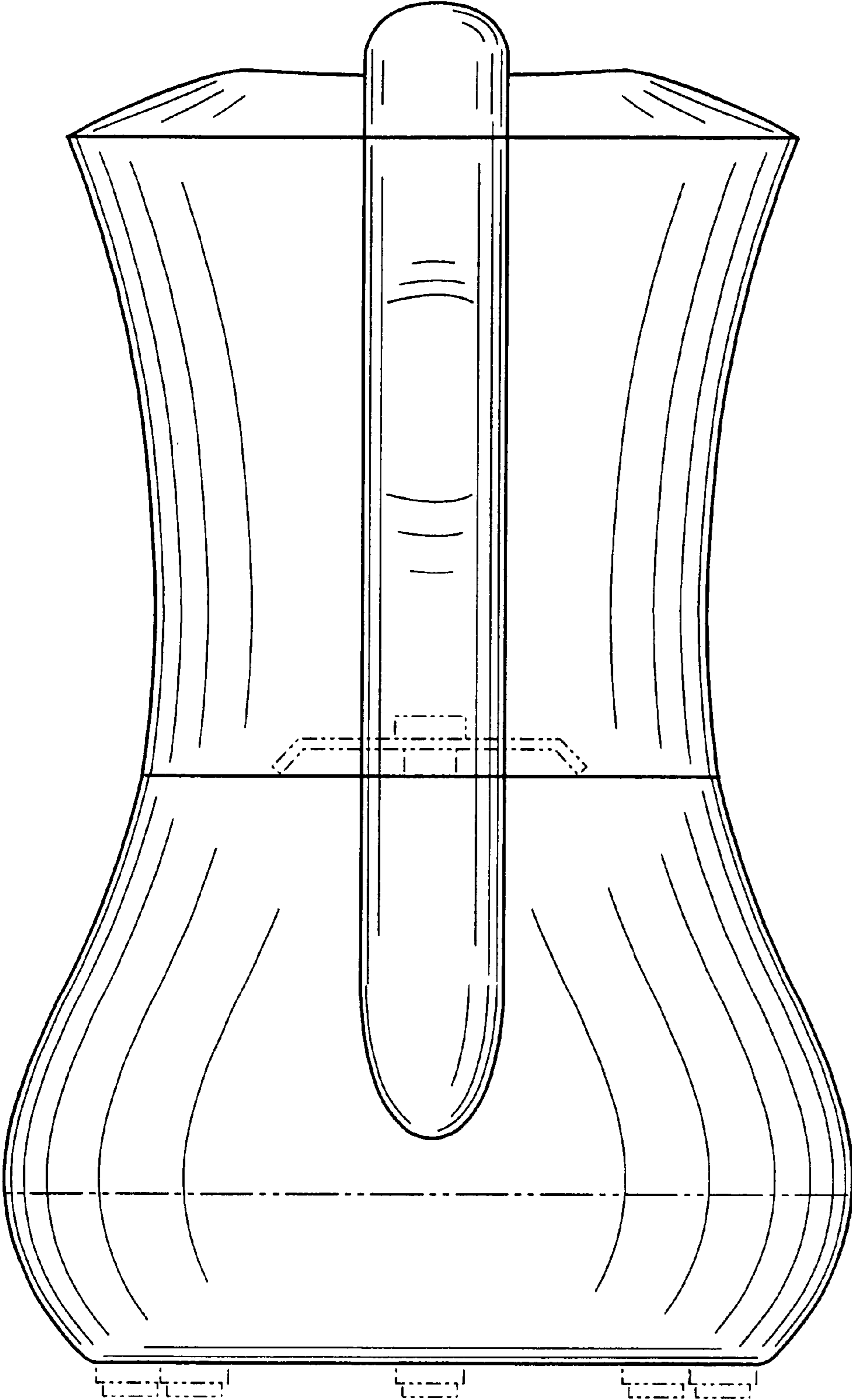


FIG. 5

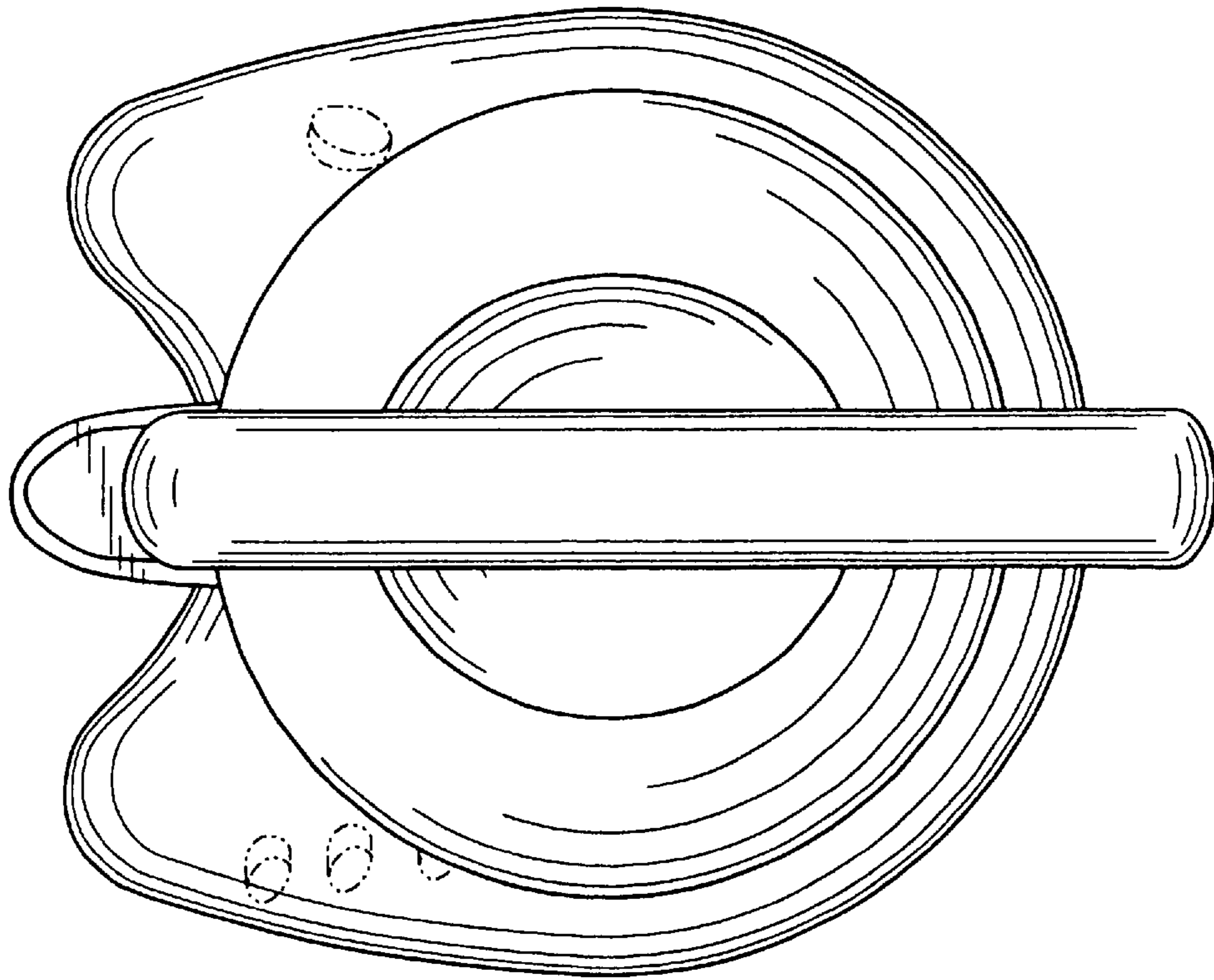


FIG. 6

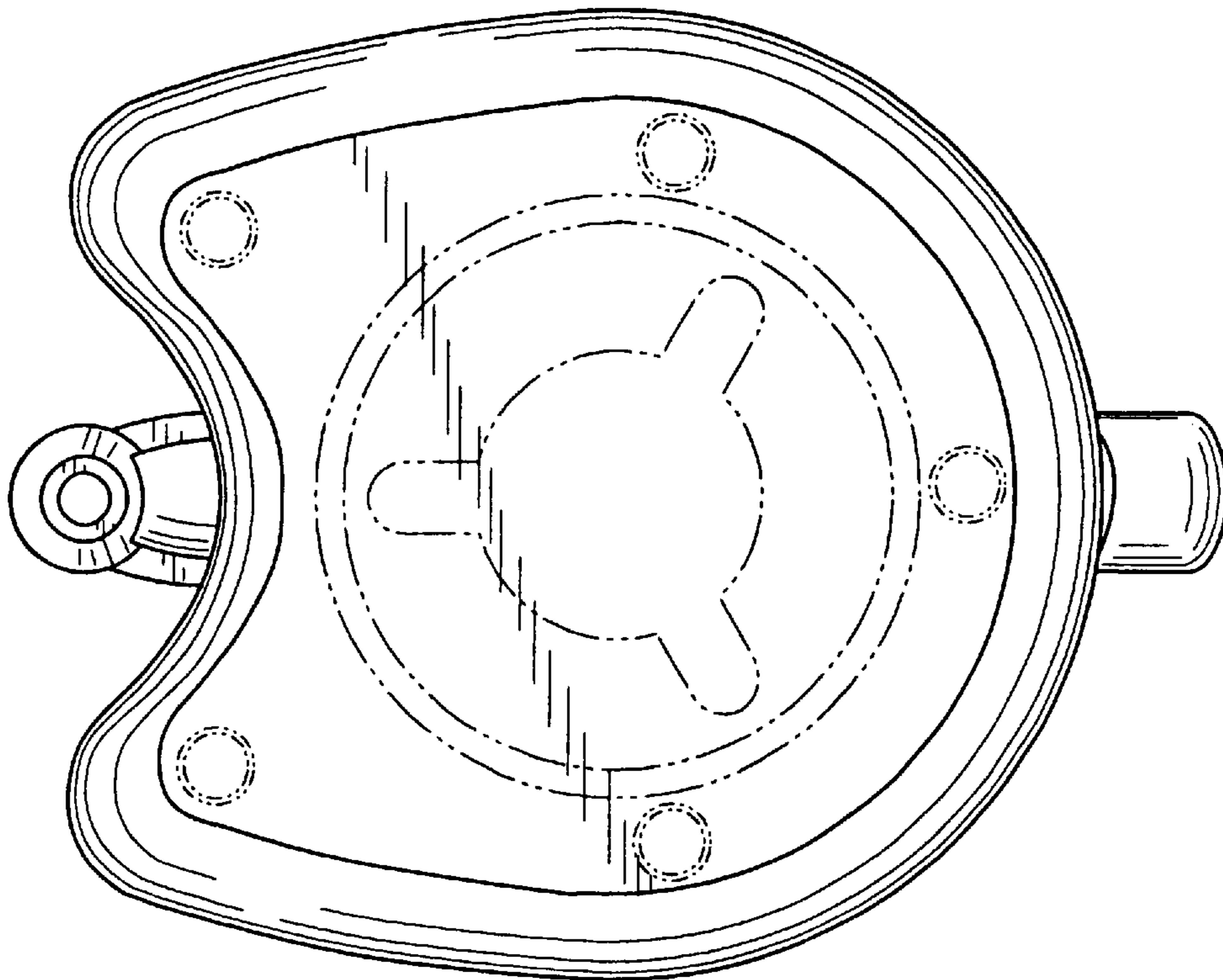


FIG. 7