



US00D520807S

(12) **United States Design Patent**
Morgan

(10) **Patent No.:** **US D520,807 S**

(45) **Date of Patent:** **** May 16, 2006**

(54) **ERGONOMIC FROSTING APPLICATOR
NOZZLE**

(76) Inventor: **Fletcher Morgan**, 4990 Coquina Key
Dr., SE., St. Petersburg, FL (US) 33705

(**) Term: **14 Years**

(21) Appl. No.: **29/233,137**

(22) Filed: **Jun. 29, 2005**

(51) **LOC (8) Cl.** **07-02**

(52) **U.S. Cl.** **D7/368; D7/700**

(58) **Field of Classification Search** D7/368,
D7/700, 669; D9/434, 440, 447; 141/297-300,
141/331-345; 222/510

See application file for complete search history.

(56) **References Cited**

U.S. PATENT DOCUMENTS

D404,979 S * 2/1999 Harman et al. D7/700
D496,216 S * 9/2004 Morgan D7/368

* cited by examiner

Primary Examiner—Terry A. Wallace

(74) *Attorney, Agent, or Firm*—John S. Hale; Gipple & Hale

(57) **CLAIM**

The ornamental design for a ergonomic frosting applicator nozzle, as shown and described.

DESCRIPTION

FIG. 1 is a perspective view of ergonomic frosting applicator nozzle showing my new design;

FIG. 2 is a side elevational view of the ergonomic frosting applicator nozzle of FIG. 1, the other side being identical thereto;

FIG. 3 is a top plan view ergonomic frosting applicator nozzle of FIG. 2;

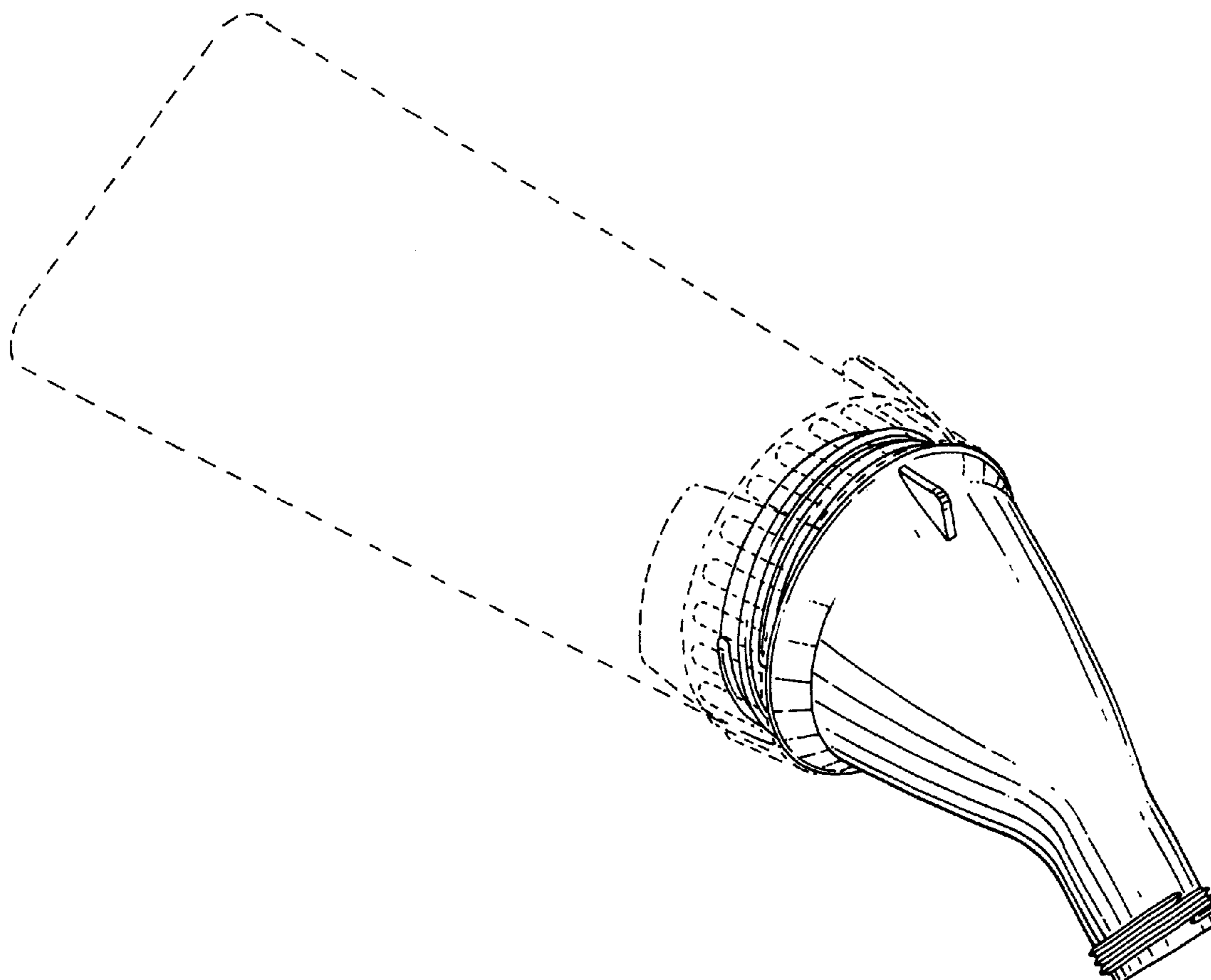
FIG. 4 is a bottom plan view thereof;

FIG. 5 is a front elevational view ergonomic frosting applicator nozzle of FIG. 2; and,

FIG. 6 is a rear elevational view of the ergonomic frosting applicator nozzle.

The broken lines are for illustrative purposes only and form no part of the claimed design.

1 Claim, 3 Drawing Sheets



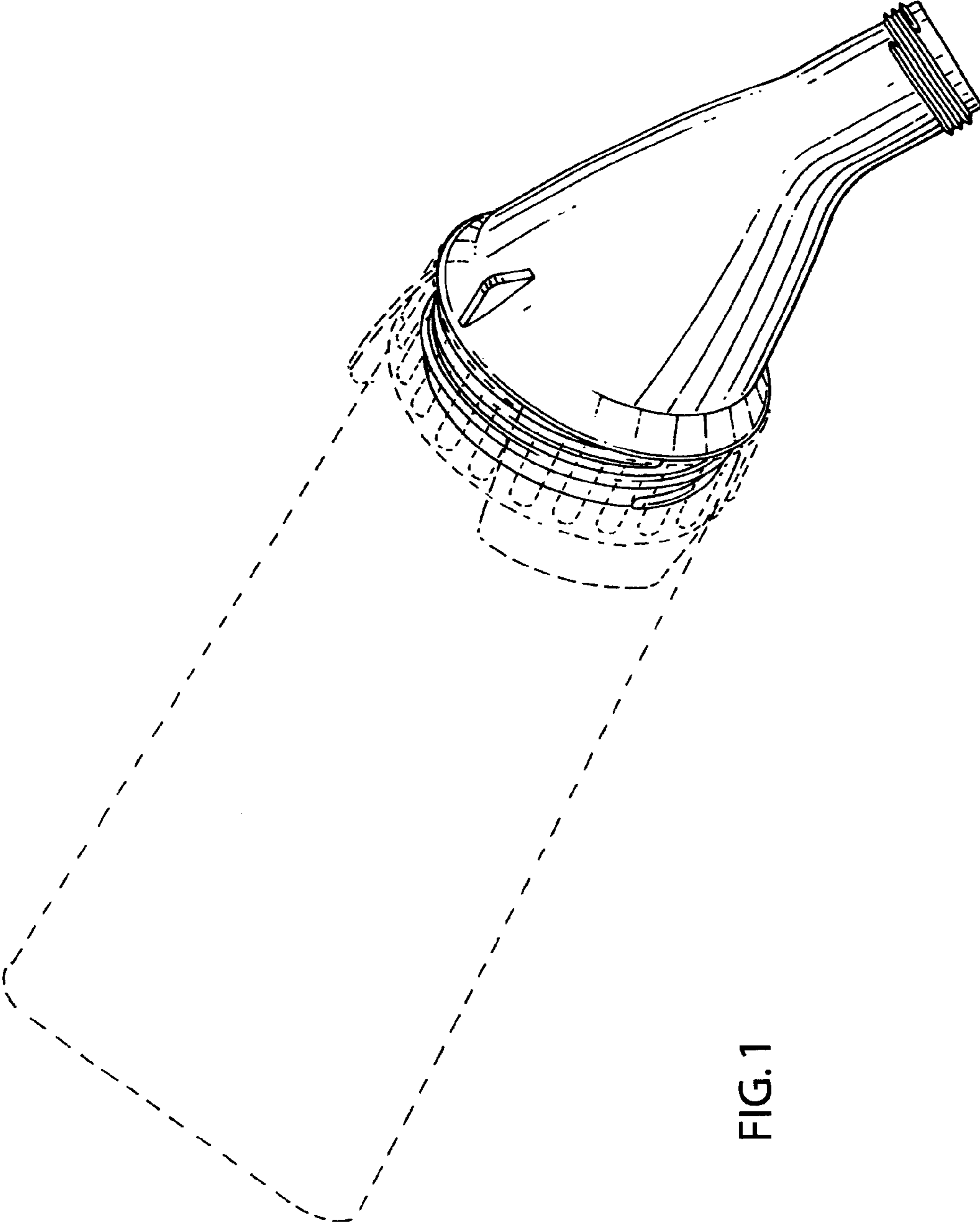


FIG. 1

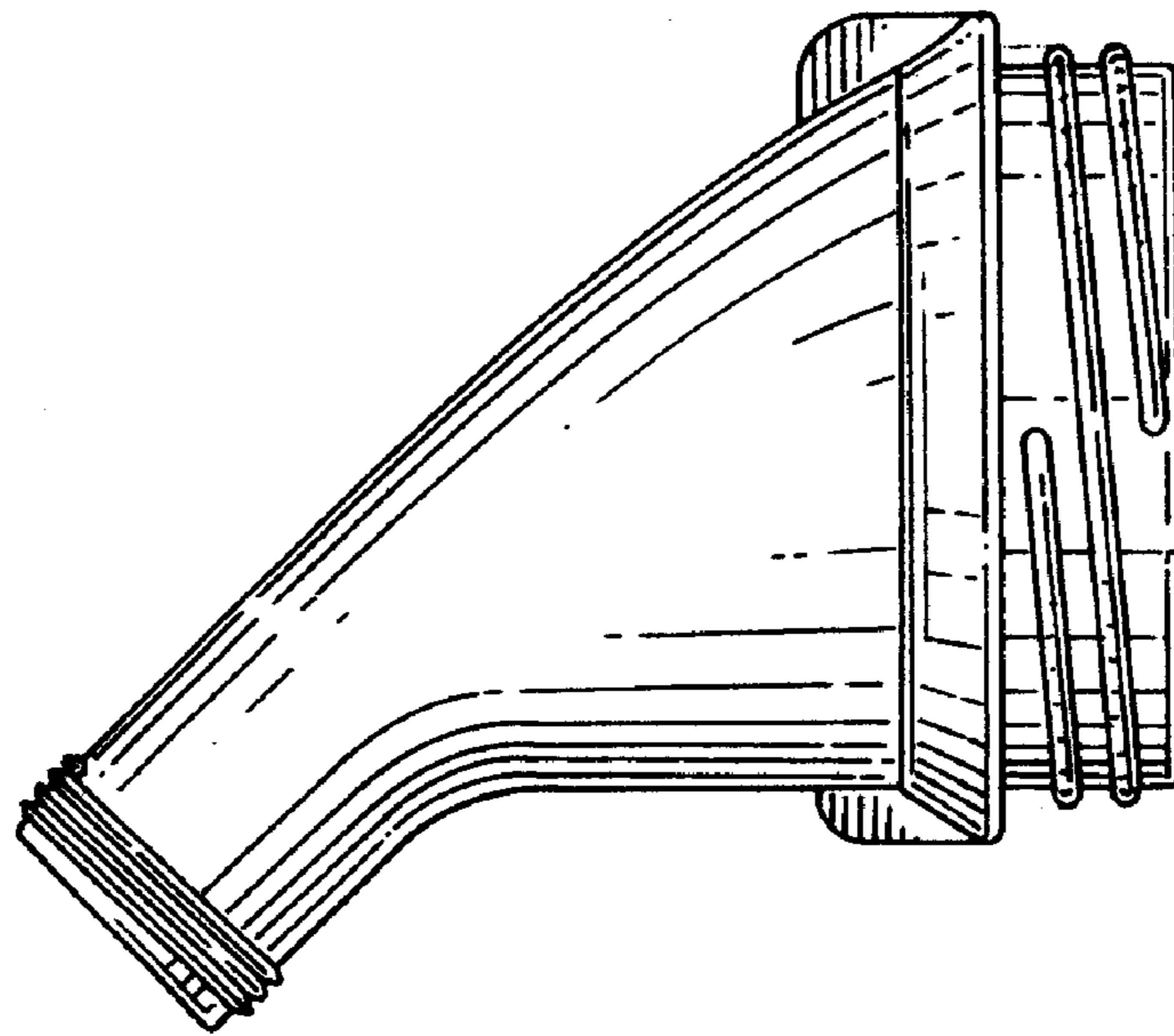


FIG. 2

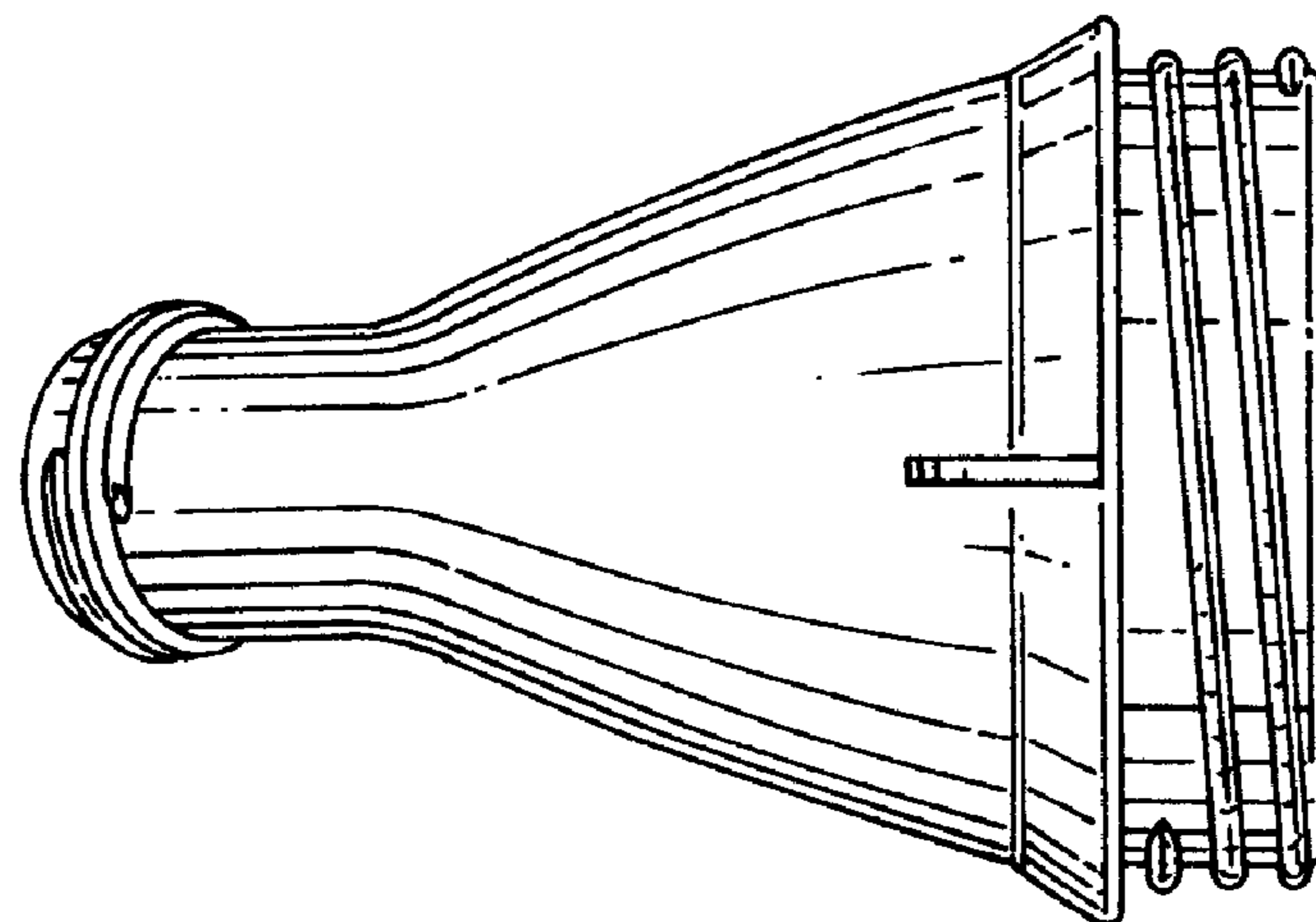


FIG. 3

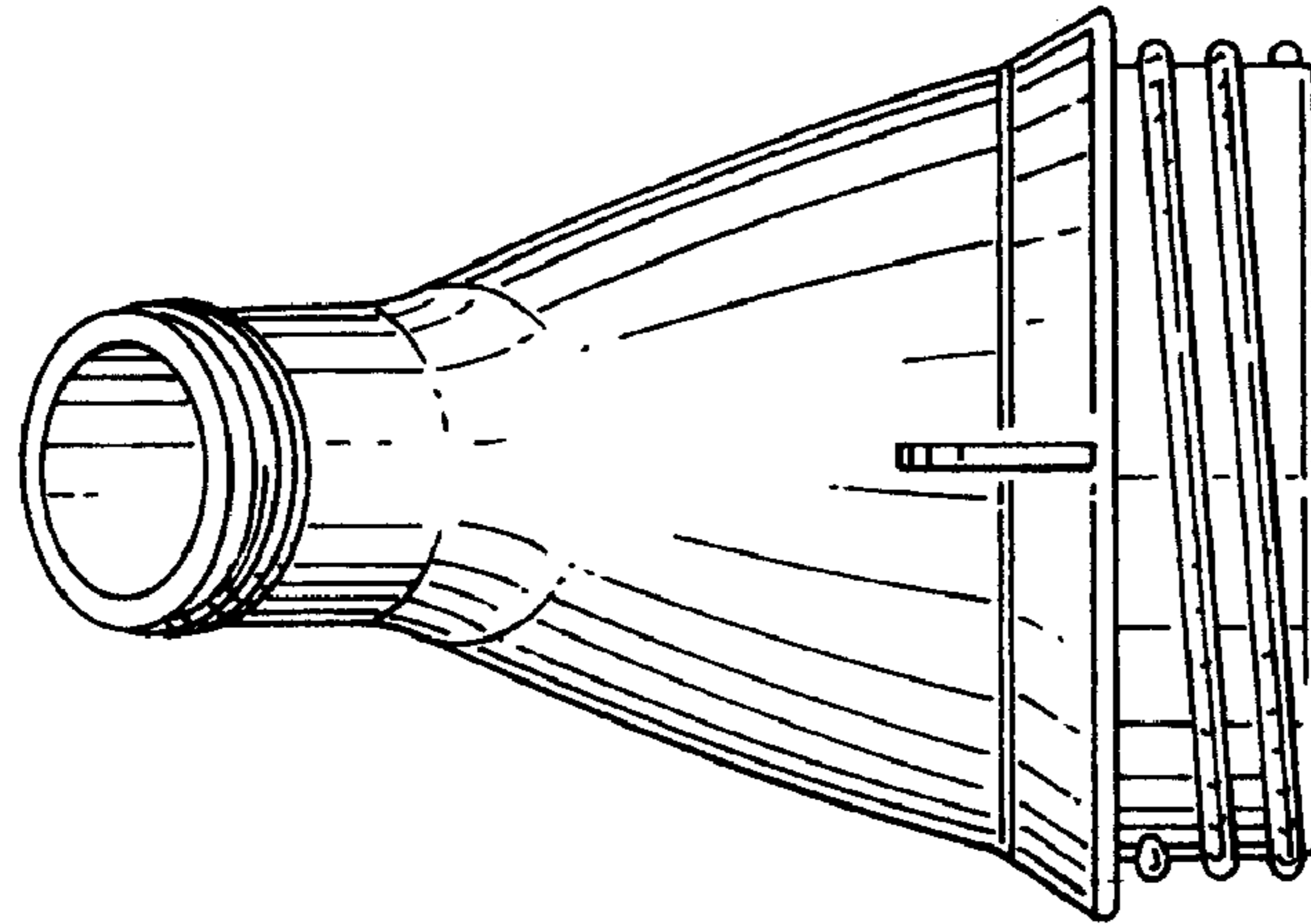


FIG. 4

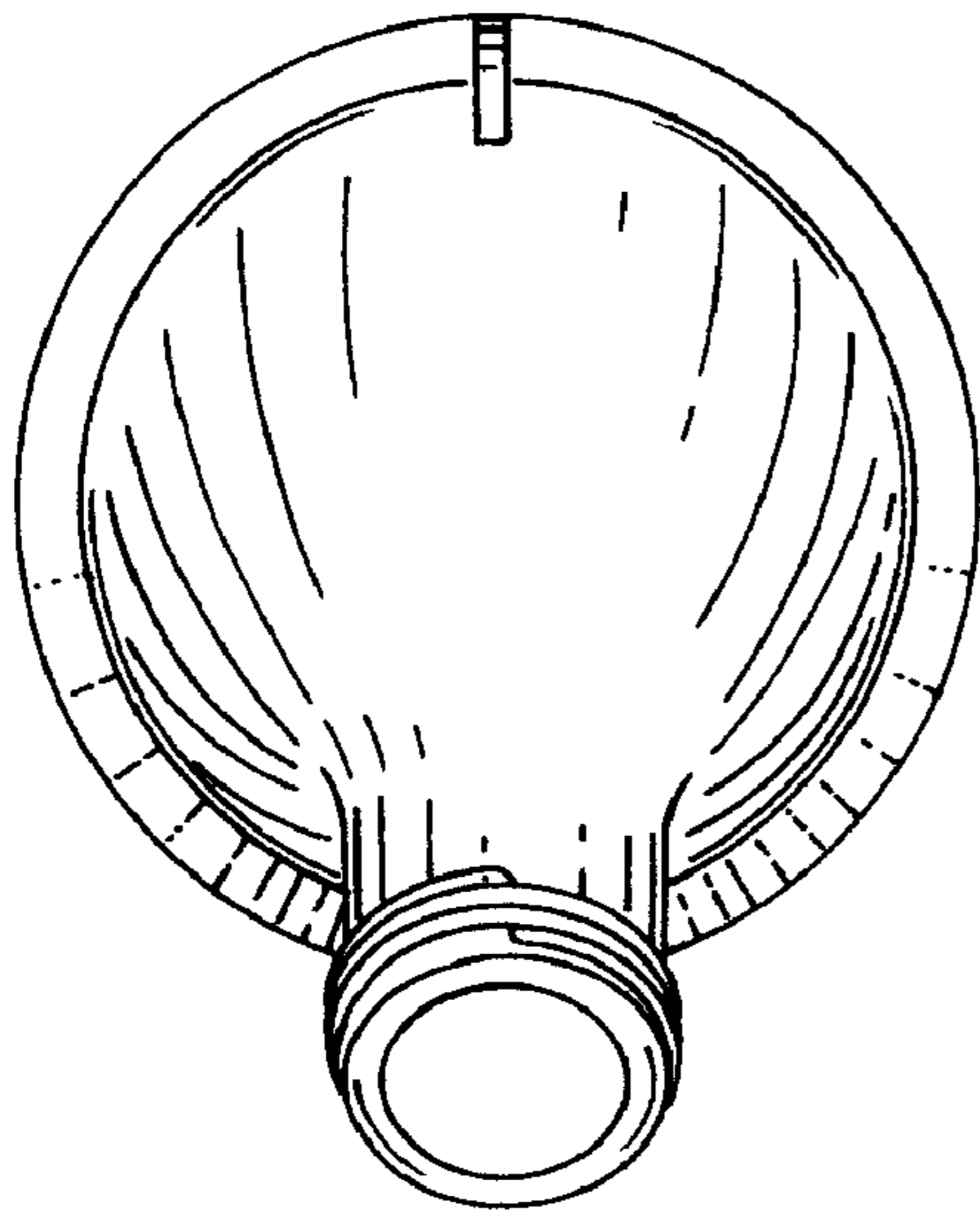


FIG. 5

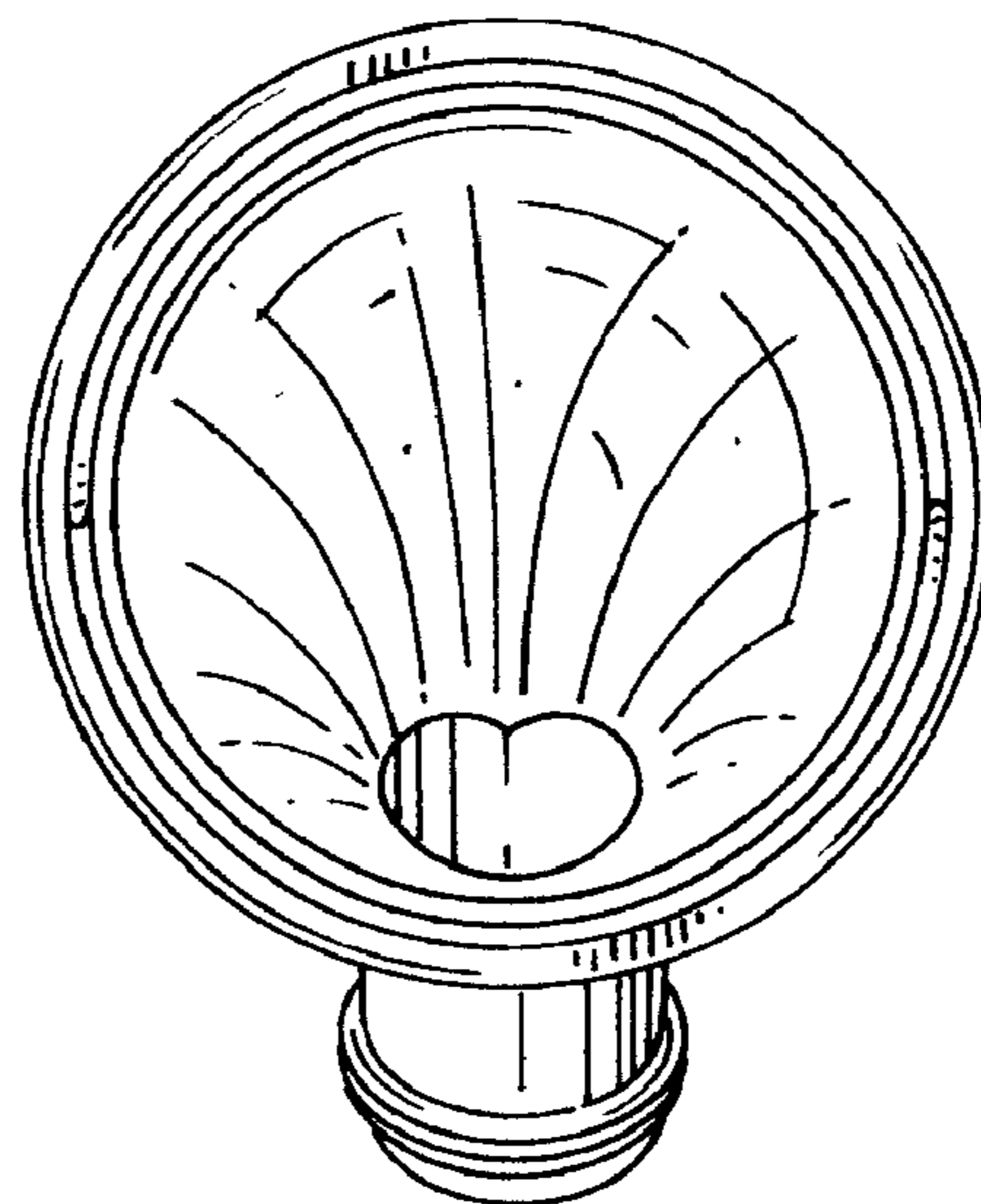


FIG. 6