



US00D520805S

(12) **United States Design Patent**
Wright

(10) **Patent No.:** **US D520,805 S**

(45) **Date of Patent:** **** May 16, 2006**

(54) **CAMPING STOVE**

(75) **Inventor:** **Joshua M. Wright**, Wichita, KS (US)

(73) **Assignee:** **The Coleman Company, Inc.**, Wichita, KS (US)

(**) **Term:** **14 Years**

(21) **Appl. No.:** **29/212,633**

(22) **Filed:** **Sep. 3, 2004**

(51) **LOC (8) Cl.** **07-02**

(52) **U.S. Cl.** **D7/337**

(58) **Field of Classification Search** D7/332-337,
D7/354, 361, 417, 362-367, 402; 126/25 R,
126/25 A, 25 AA, 25 B, 26, 2, 13, 274, 40,
126/41 R, 37 R, 38-39 R, 50, 304 R, 305,
126/9 R, 9 B, 19 M, 506; 99/450; 219/451.1,
219/452.11, 455.11, 385, 520, 450.1; 220/573.1
See application file for complete search history.

(56) **References Cited**

U.S. PATENT DOCUMENTS

D216,233 S	*	12/1969	Gruver et al.	D7/337
D226,872 S	*	5/1973	Benson	D7/337
D227,850 S	*	7/1973	Benson	D7/337
D229,448 S	*	11/1973	Traclet	D7/337
D245,220 S		8/1977	Chan		
D251,893 S		5/1979	Chan		
D251,894 S		5/1979	Chan		
D253,218 S		10/1979	Johnson		
D276,303 S		11/1984	Chan		
D291,399 S		8/1987	Chan		
D334,108 S		3/1993	Fisher		
D347,548 S		6/1994	Boehm et al.		
D384,546 S		10/1997	Lin		
5,782,230 A		7/1998	Linnebur et al.		
D406,722 S		3/1999	Benton et al.		
D407,598 S		4/1999	Deni et al.		

D412,808 S		8/1999	Hinton et al.		
D414,982 S		10/1999	Hopkins et al.		
D415,925 S		11/1999	Pai		
D427,480 S		7/2000	Brady		
D432,852 S		10/2000	Mosher, II et al.		
D437,183 S		2/2001	Wong et al.		
D444,667 S		7/2001	Wong et al.		
D450,976 S		11/2001	Mosher		
D455,041 S		4/2002	Smith		
D464,843 S		10/2002	Schulte et al.		
D469,298 S		1/2003	Hinton et al.		
D472,757 S		4/2003	Schulte et al.		
D498,113 S		11/2004	Zhang		
D503,868 S		4/2005	Pai		
D504,275 S		4/2005	Pai		
D504,795 S	*	5/2005	Schulte et al.	D7/337
D505,045 S		5/2005	Assmann		
D506,636 S	*	6/2005	Schulte et al.	D7/337

* cited by examiner

Primary Examiner—Ruth McInroy

(74) *Attorney, Agent, or Firm*—Leydig, Voit & Mayer, Ltd.

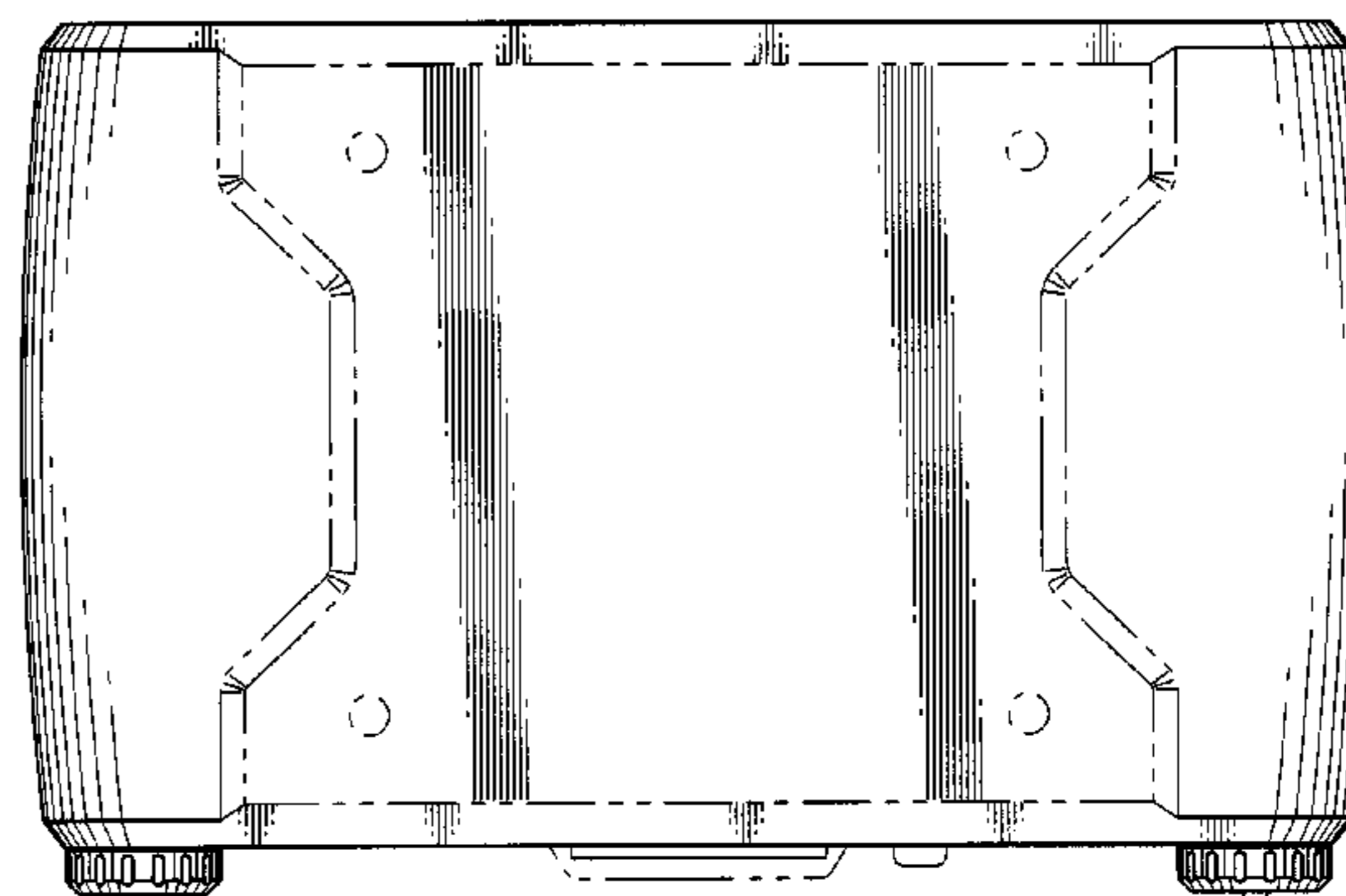
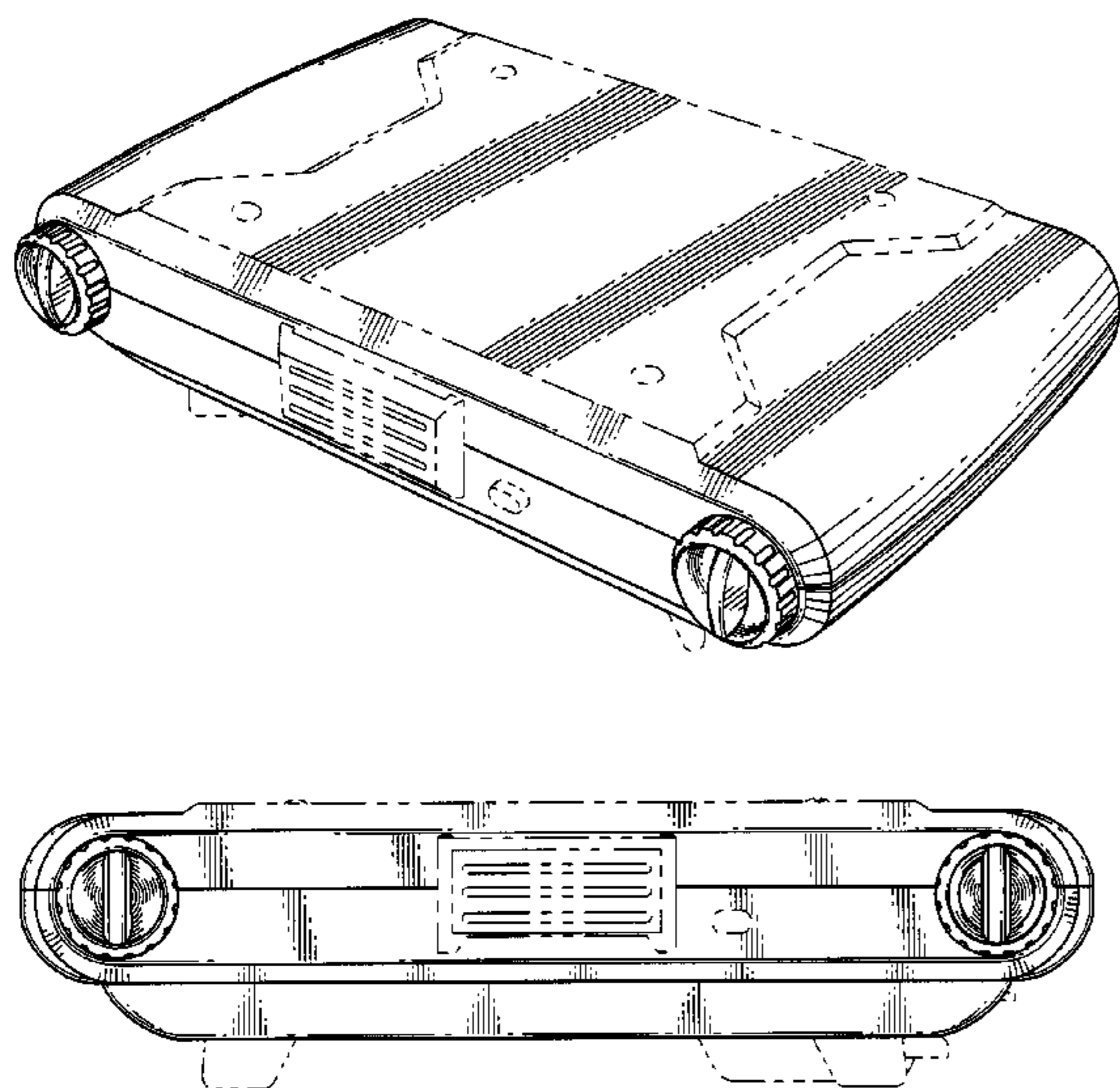
(57) **CLAIM**

The ornamental design for a camping stove, as shown and described.

DESCRIPTION

FIG. 1 is a top, right perspective view of a camping stove showing our new design;
FIG. 2 is a front view thereof;
FIG. 3 is a rear view thereof;
FIG. 4 is a left side view thereof;
FIG. 5 is a right side view thereof;
FIG. 6 is a top view thereof; and,
FIG. 7 is a bottom view thereof.
The details shown in broken lines form no part of the claimed design.

1 Claim, 3 Drawing Sheets



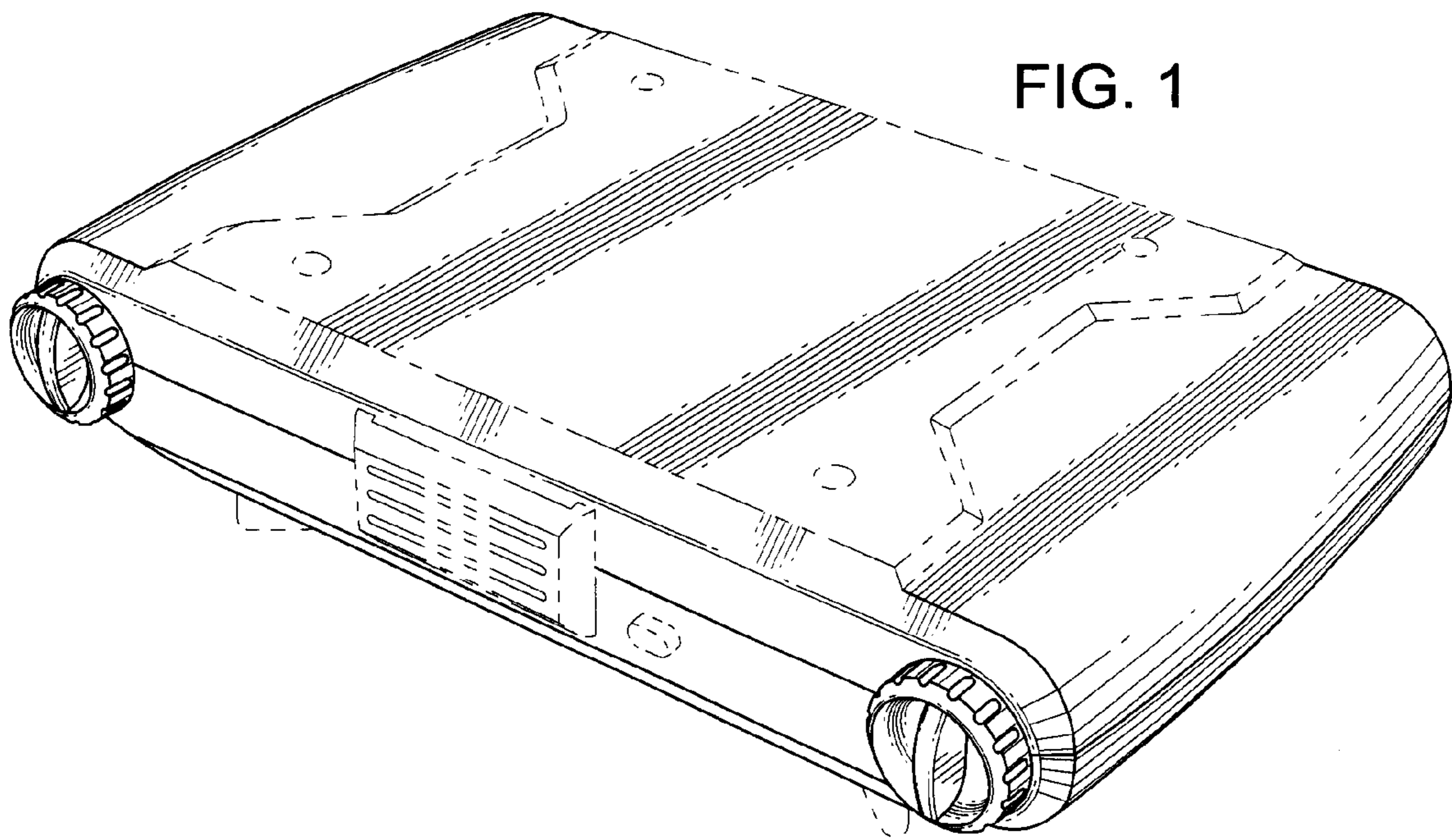


FIG. 2

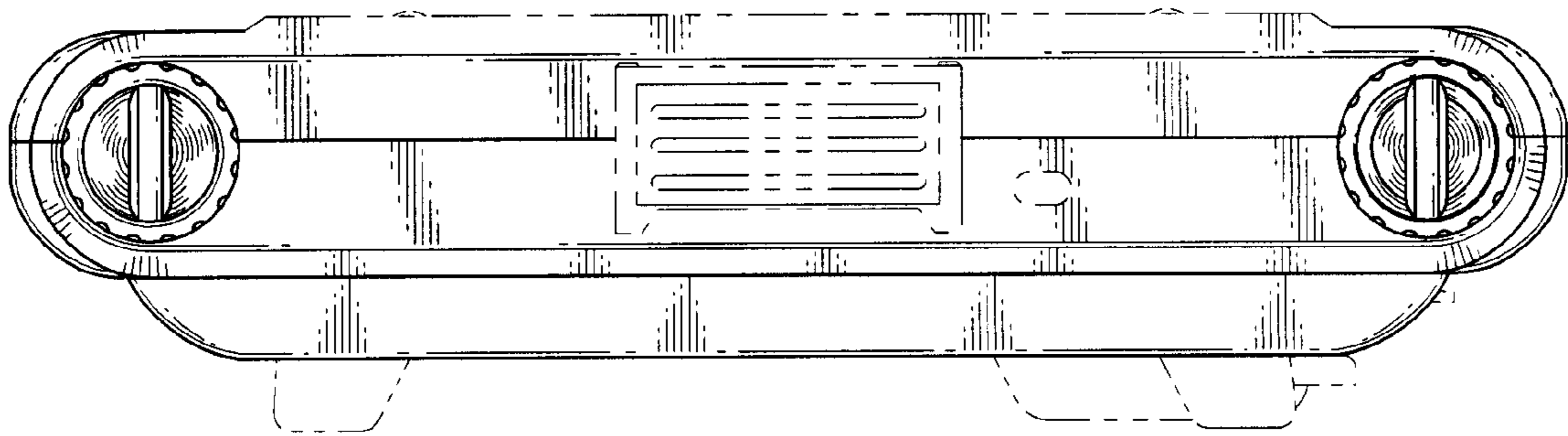


FIG. 3

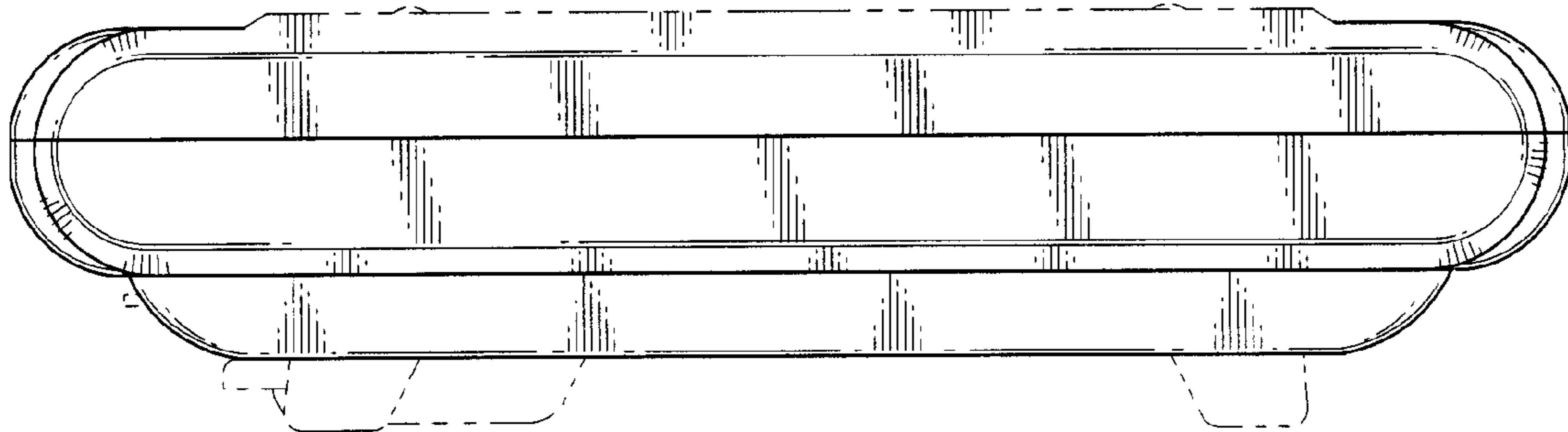


FIG. 4

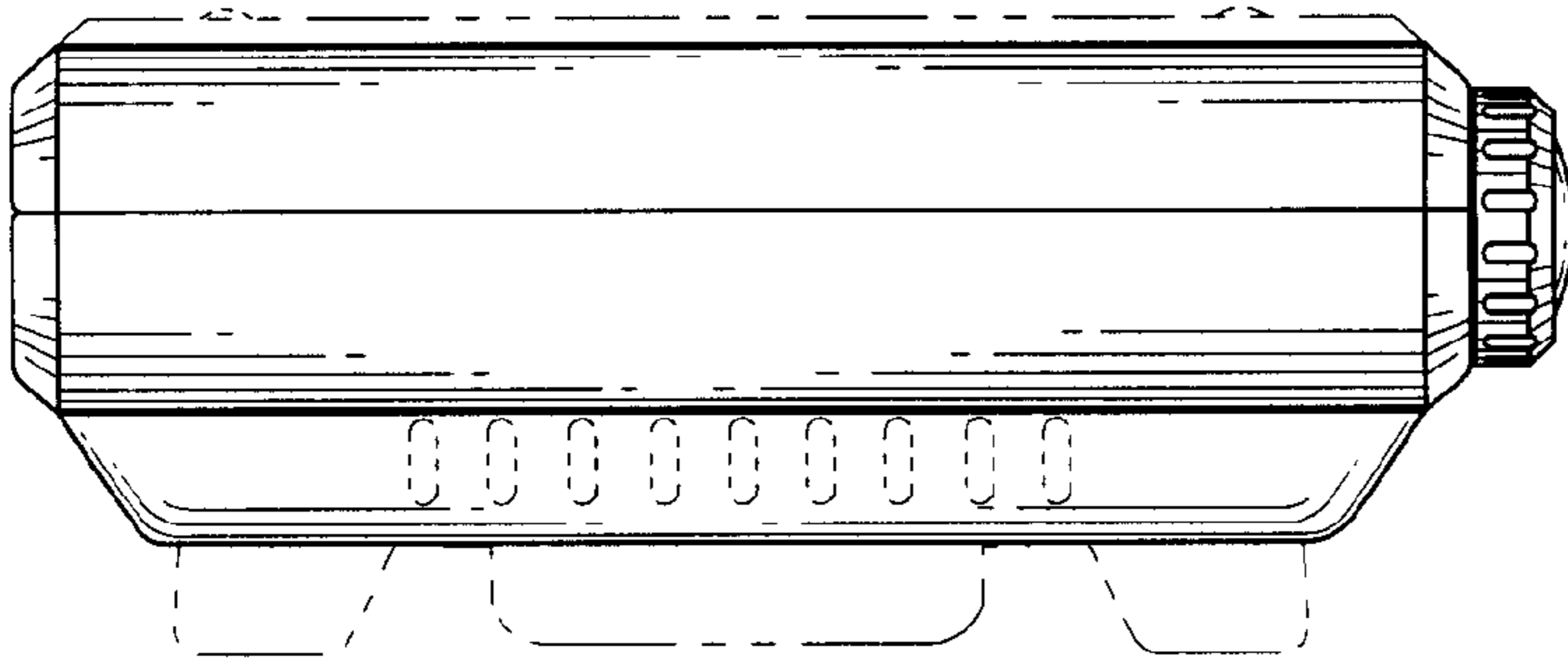


FIG. 5

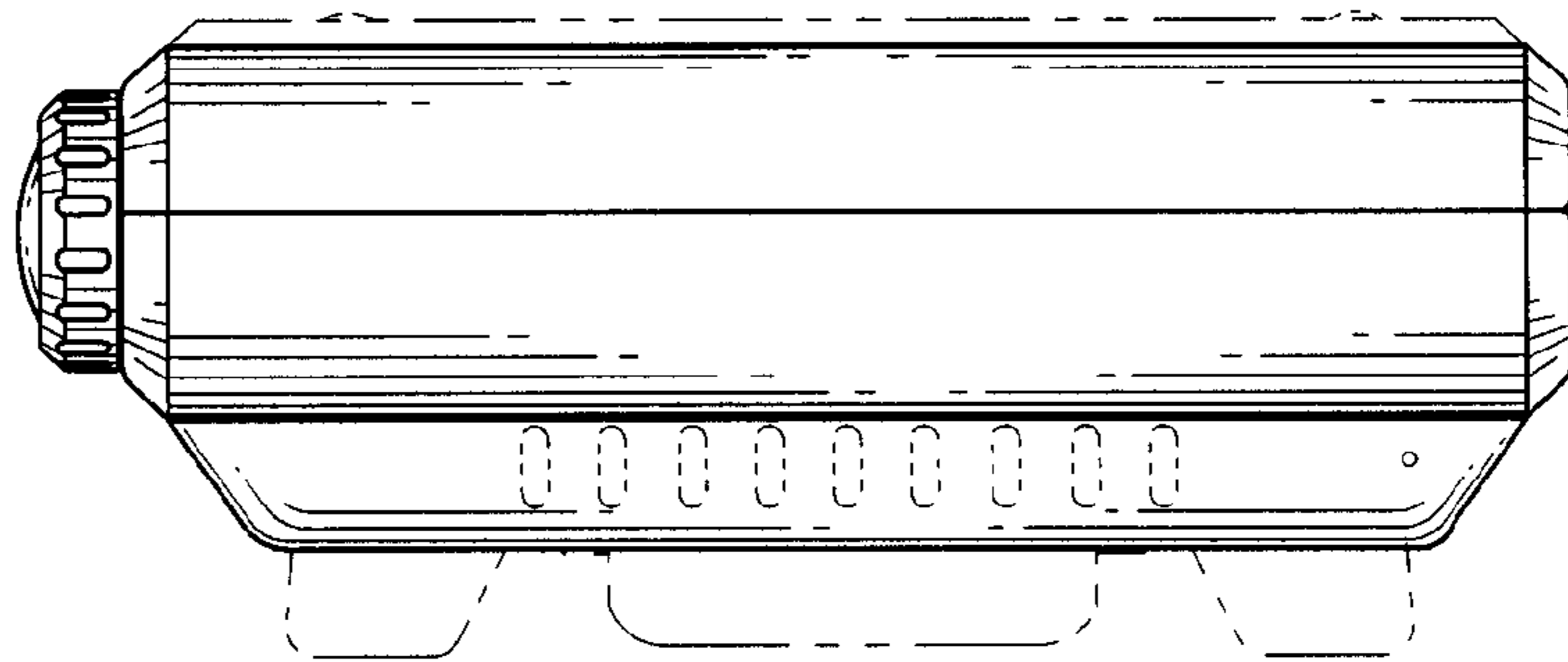


FIG. 6

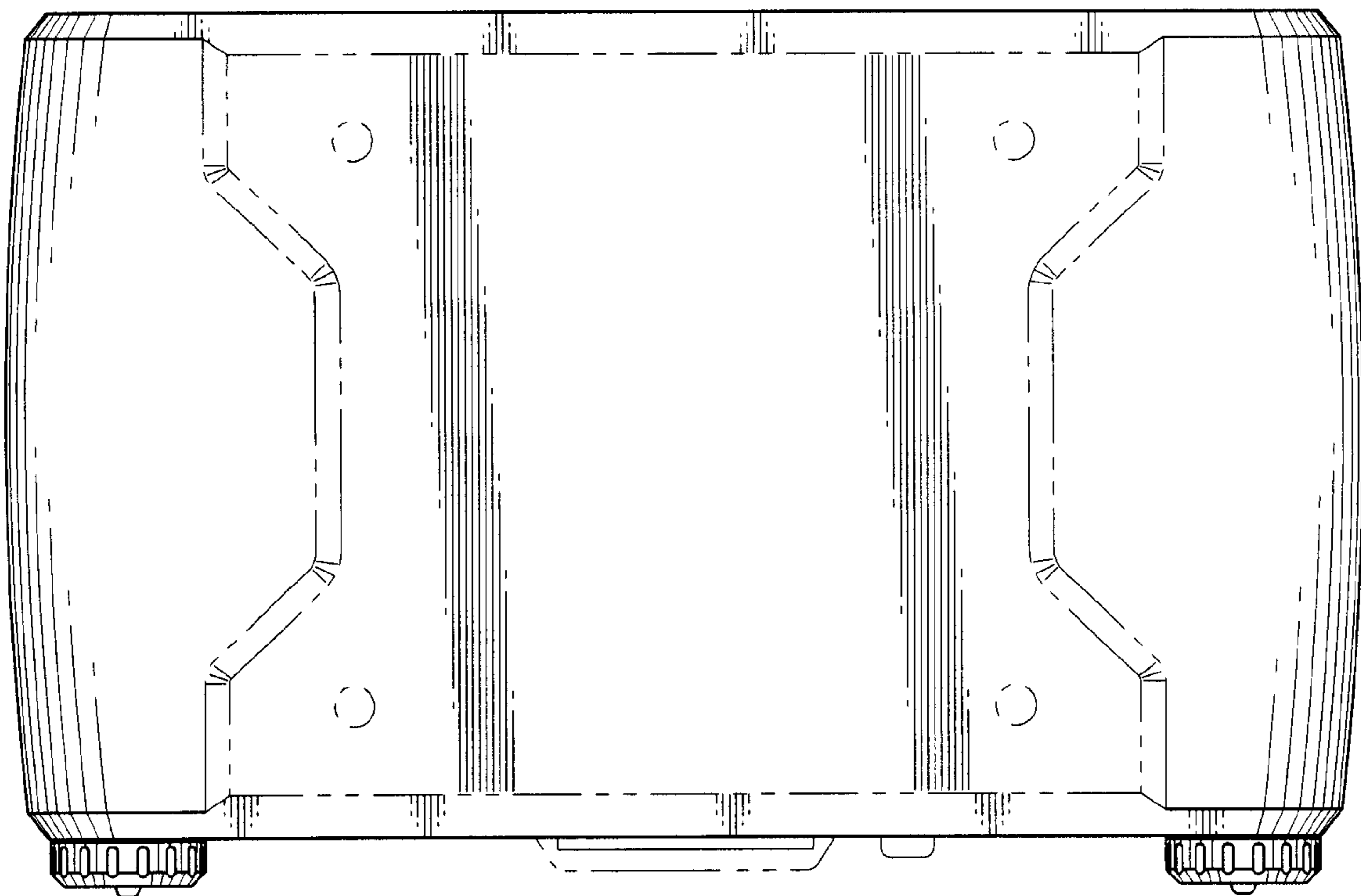


FIG. 7

