

US00D520803S

(12) **United States Design Patent**
Lu

(10) **Patent No.: US D520,803 S**

(45) **Date of Patent: ** May 16, 2006**

(54) **BARBECUE GRILL**

(76) Inventor: **Chien-Chang Lu**, P.O. Box 90, Tainan City (TW), 70499

(**) Term: **14 Years**

(21) Appl. No.: **29/219,483**

(22) Filed: **Dec. 20, 2004**

(51) **LOC (8) Cl. 07-02**

(52) **U.S. Cl. D7/335**

(58) **Field of Classification Search** D7/332-337, D7/402-405, 362-363, 365, 367; 126/19.5, 126/25 R, 25 A, 25 AA, 29-30, 9 R, 9 A, 126/9 B, 38, 37, 40, 268, 276, 305, 312, 126/41 R, 77; D6/419, 498; 99/339, 419, 99/449; D15/27; 296/22

See application file for complete search history.

(56) **References Cited**

U.S. PATENT DOCUMENTS

D211,919 S * 8/1968 Harff et al. D7/335
D408,650 S * 4/1999 Ibarra D6/419
D428,299 S * 7/2000 Pai D7/332
D449,491 S * 10/2001 Measom D7/334

D450,524 S * 11/2001 Measom D7/332
6,439,111 B1 * 8/2002 Lu 99/449
D462,562 S * 9/2002 Wood D7/332
D473,095 S * 4/2003 Nguyen D7/334
6,679,245 B1 * 1/2004 Lu 126/25 R
2004/0007228 A1 * 1/2004 Lu 126/25 R

* cited by examiner

Primary Examiner—Ruth McInroy

(57) **CLAIM**

The ornamental design for a barbecue grill, as shown and described.

DESCRIPTION

FIG. 1 is a perspective view of barbecue grill showing my design;

FIG. 2 is a front elevational view thereof;

FIG. 3 is a rear elevational view thereof;

FIG. 4 is a left side elevational view thereof;

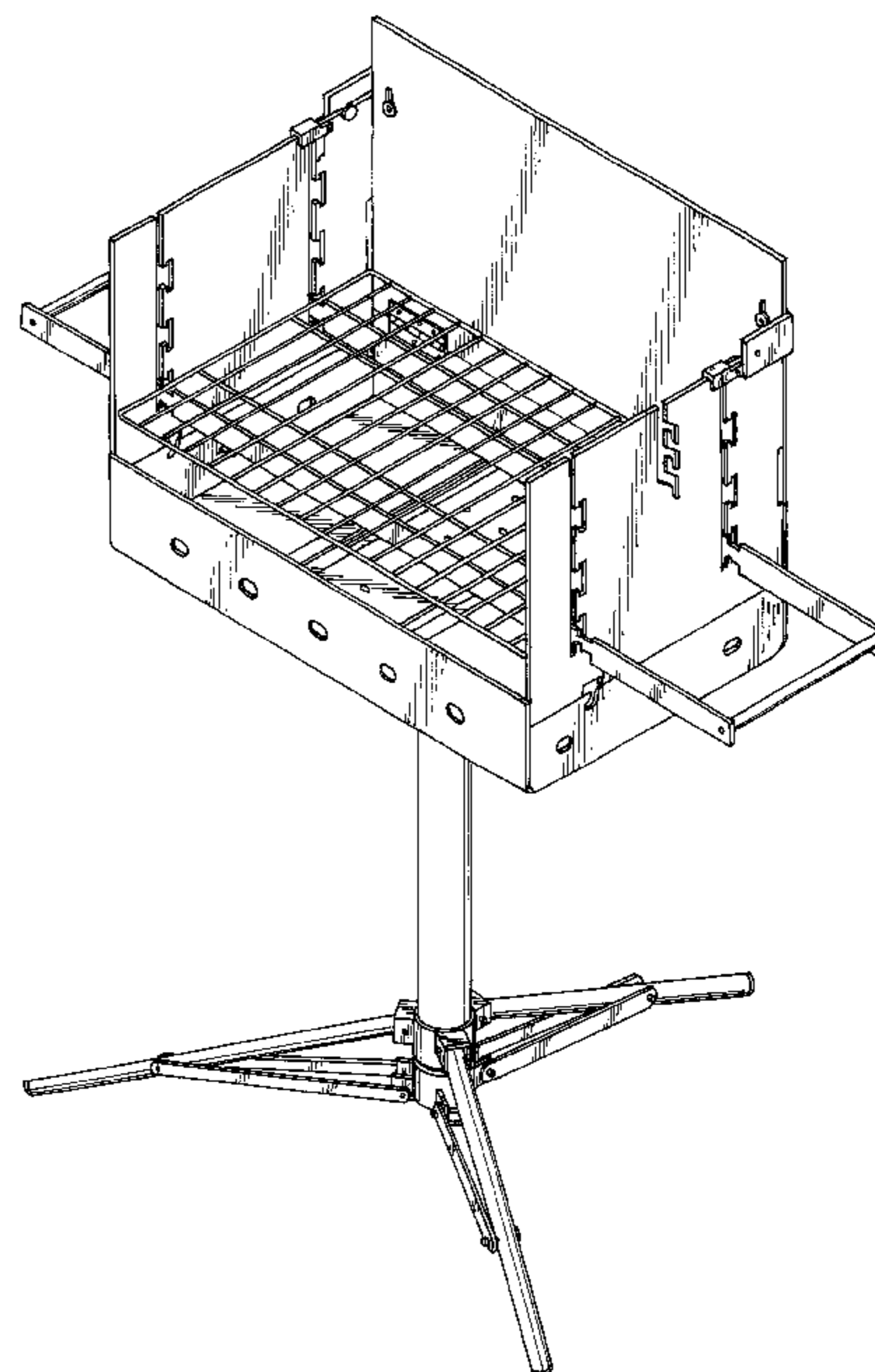
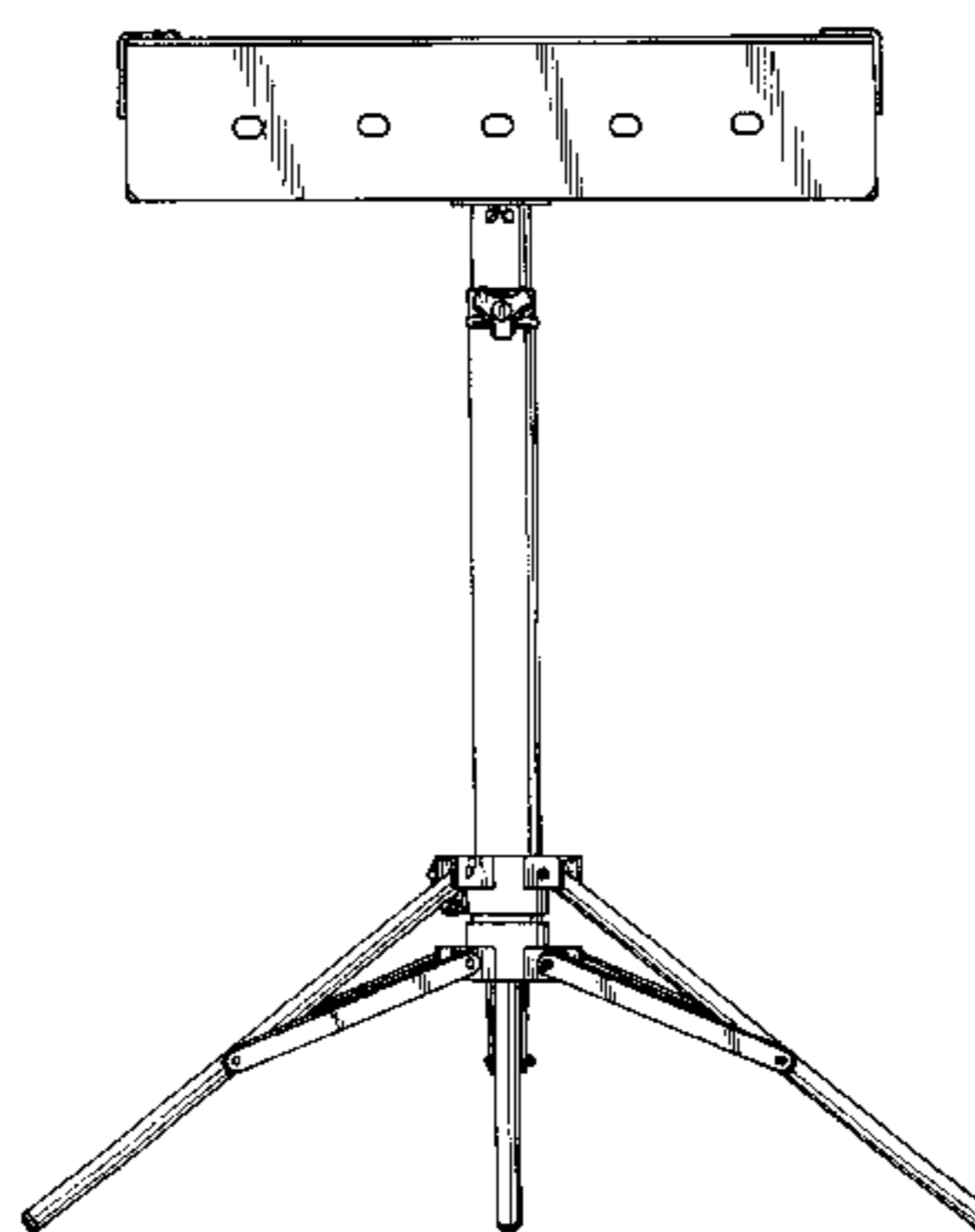
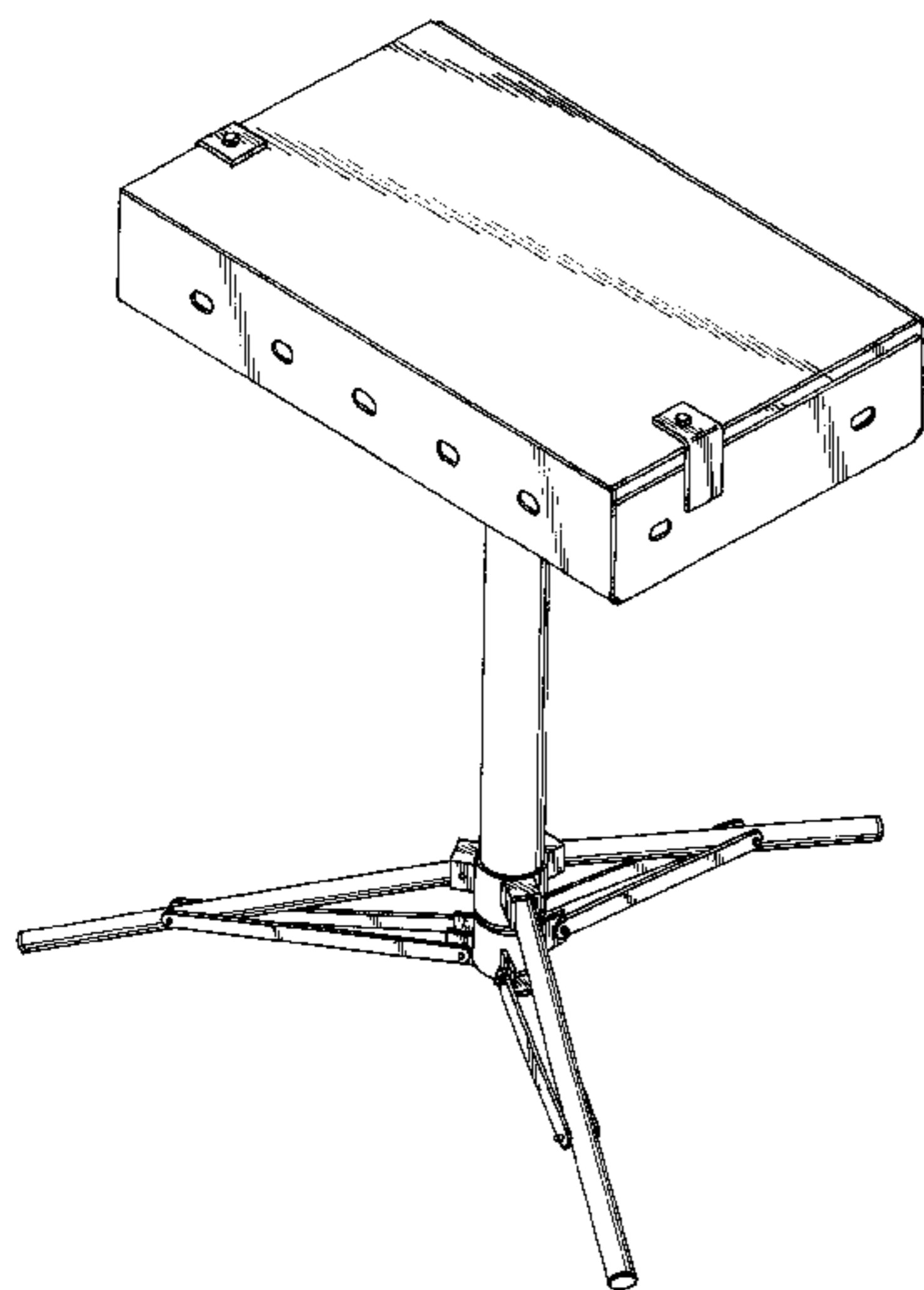
FIG. 5 is a right side elevational view thereof;

FIG. 6 is a top plan view thereof;

FIG. 7 is a bottom plan view thereof; and,

FIG. 8 is a perspective view thereof, in an open position.

1 Claim, 8 Drawing Sheets



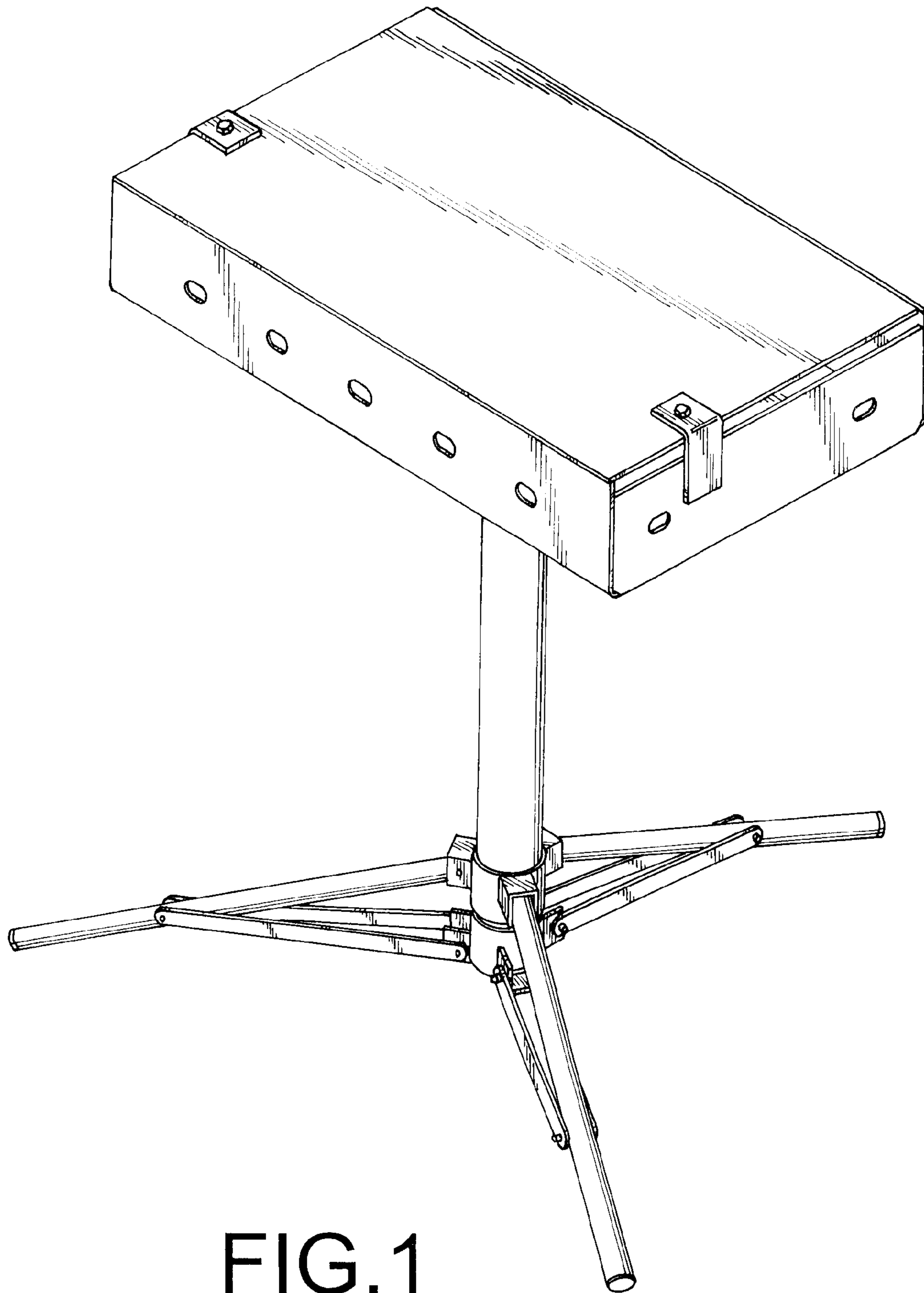


FIG. 1

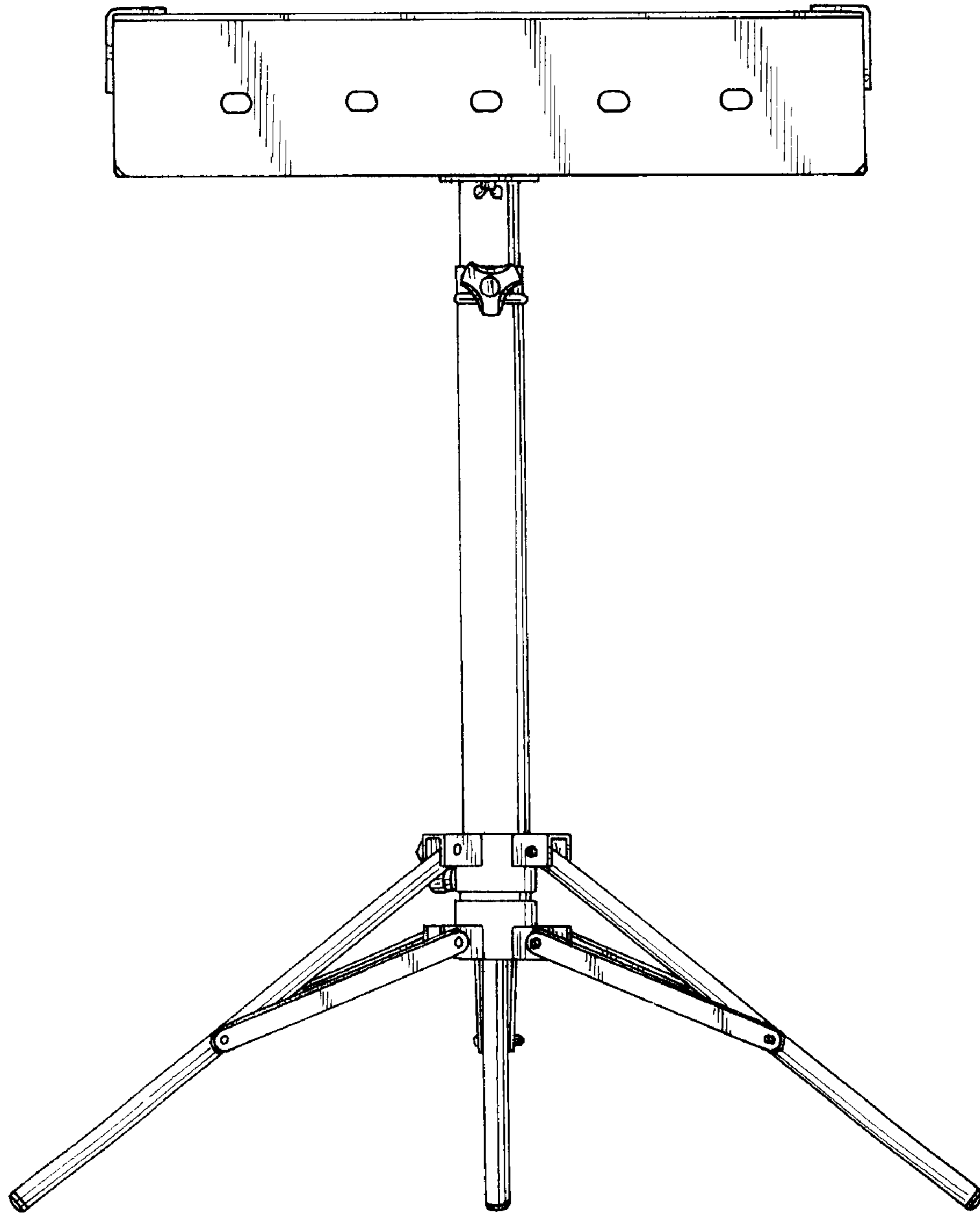


FIG.2

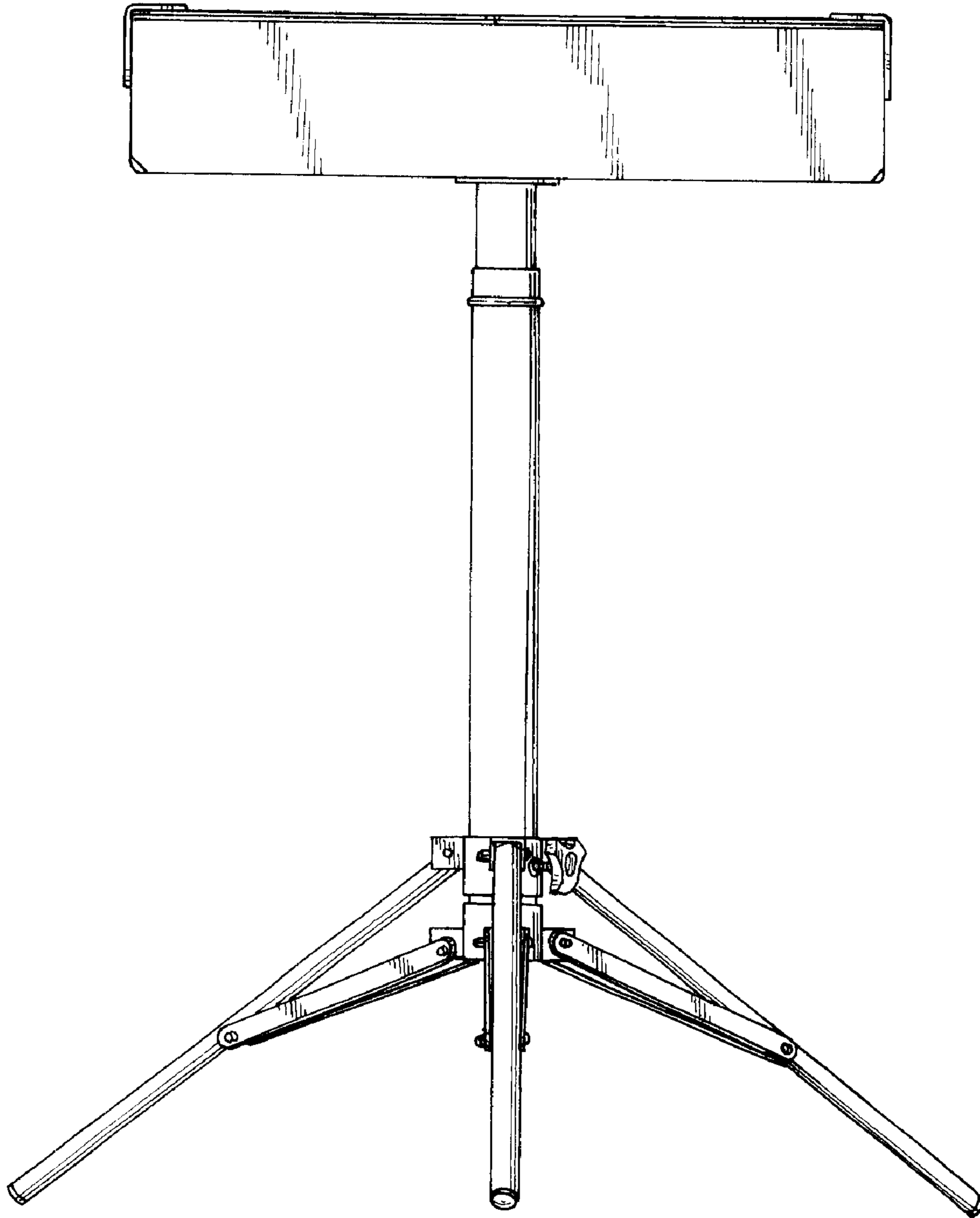


FIG.3

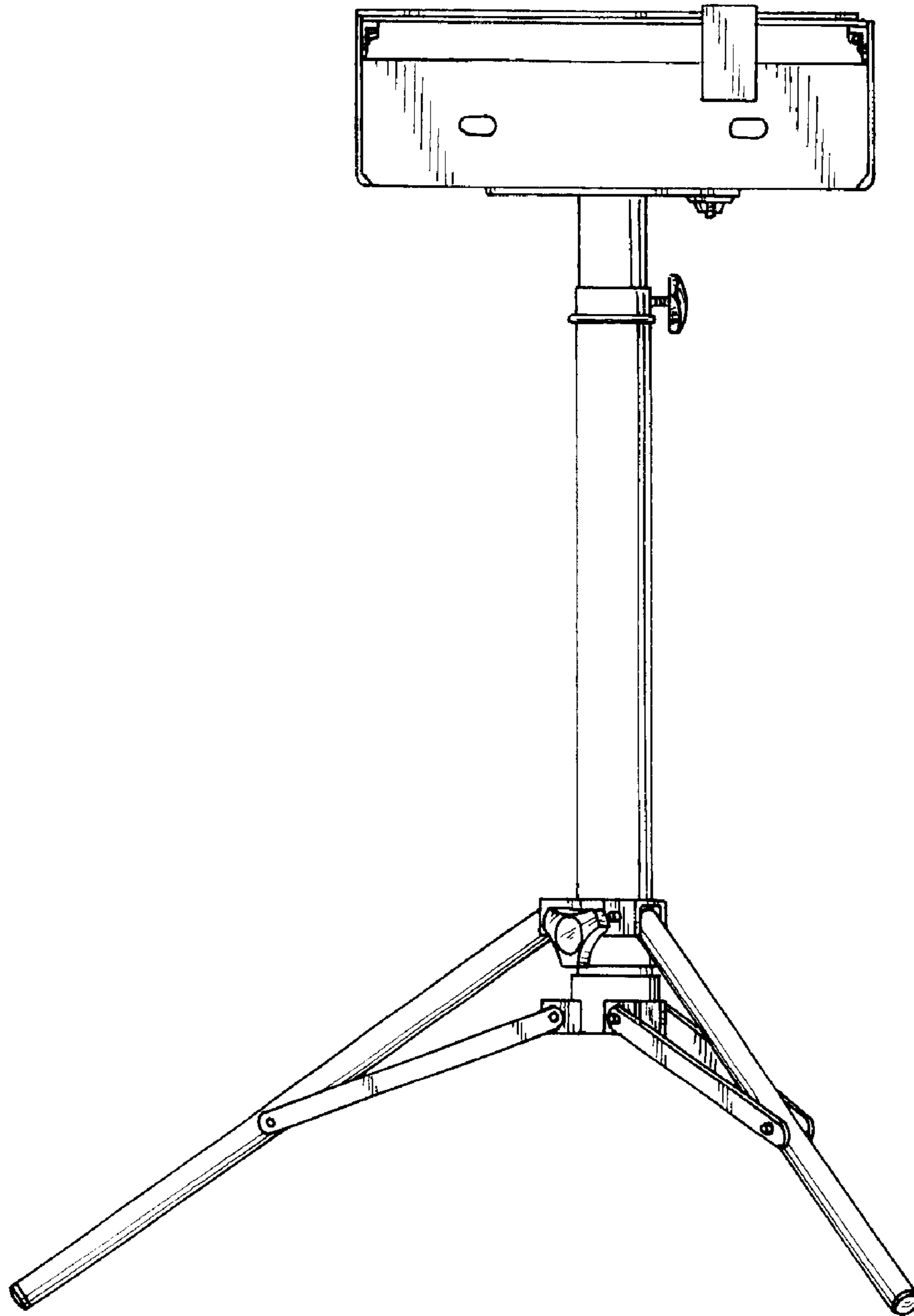


FIG.4

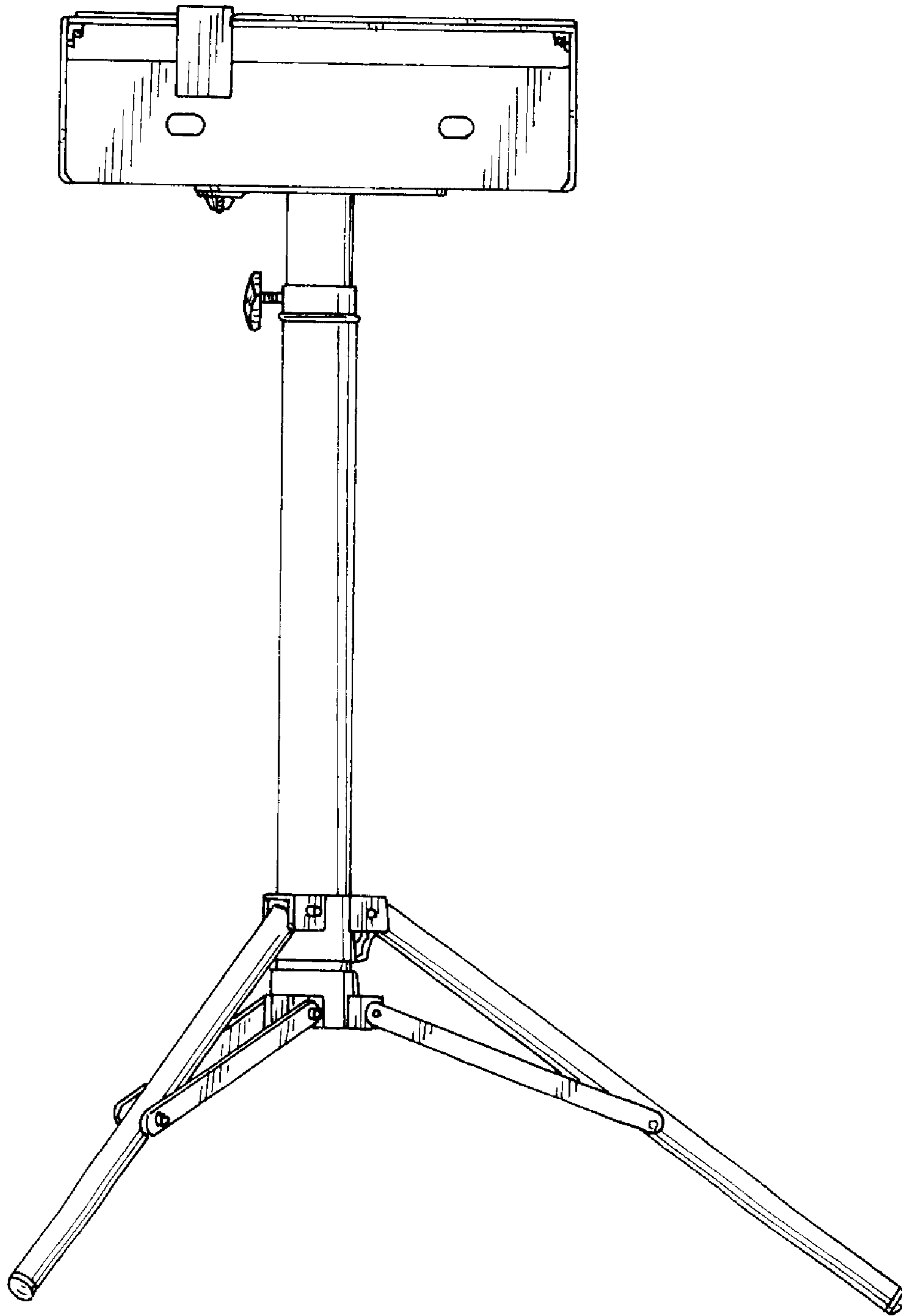


FIG.5

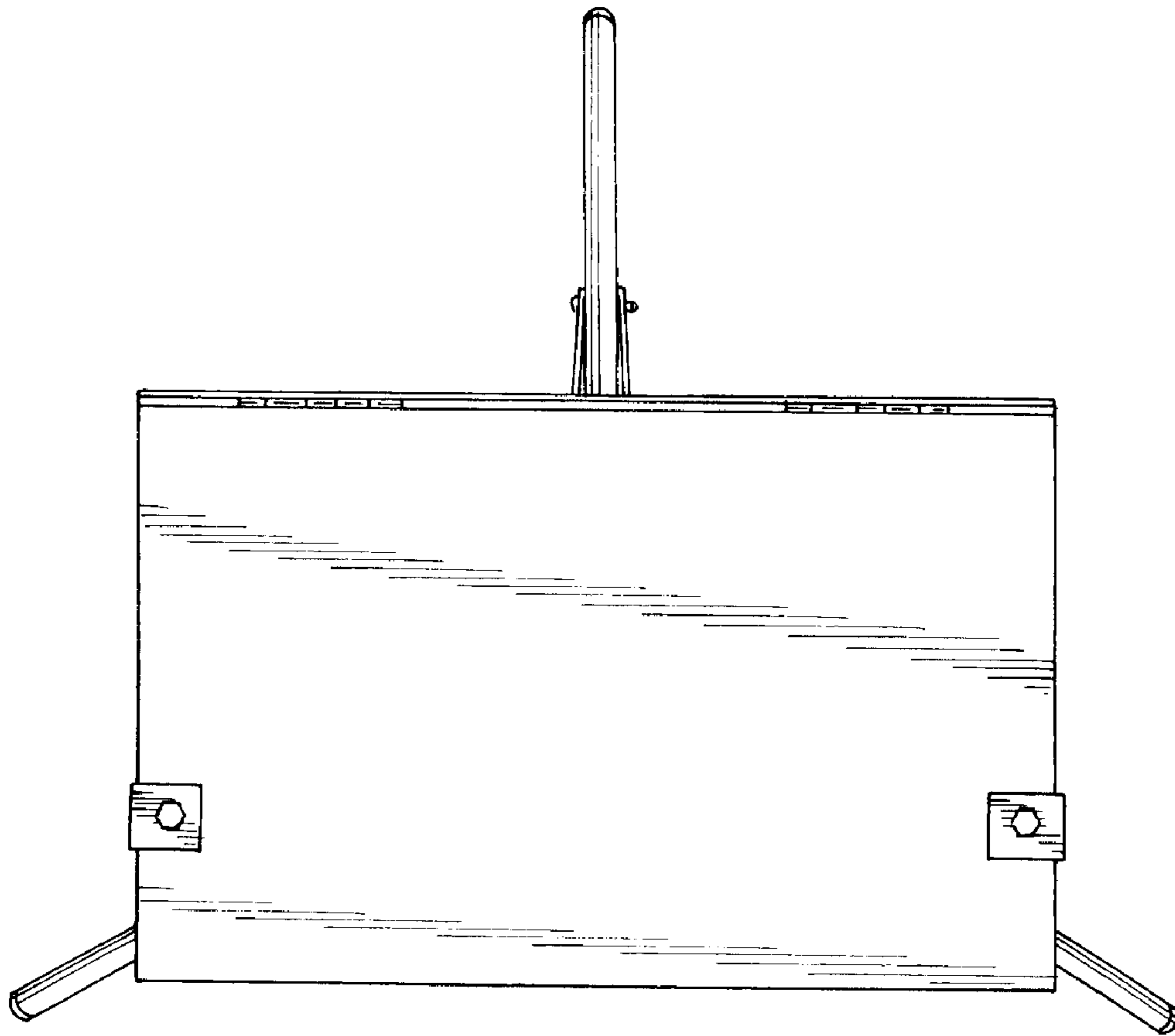


FIG.6

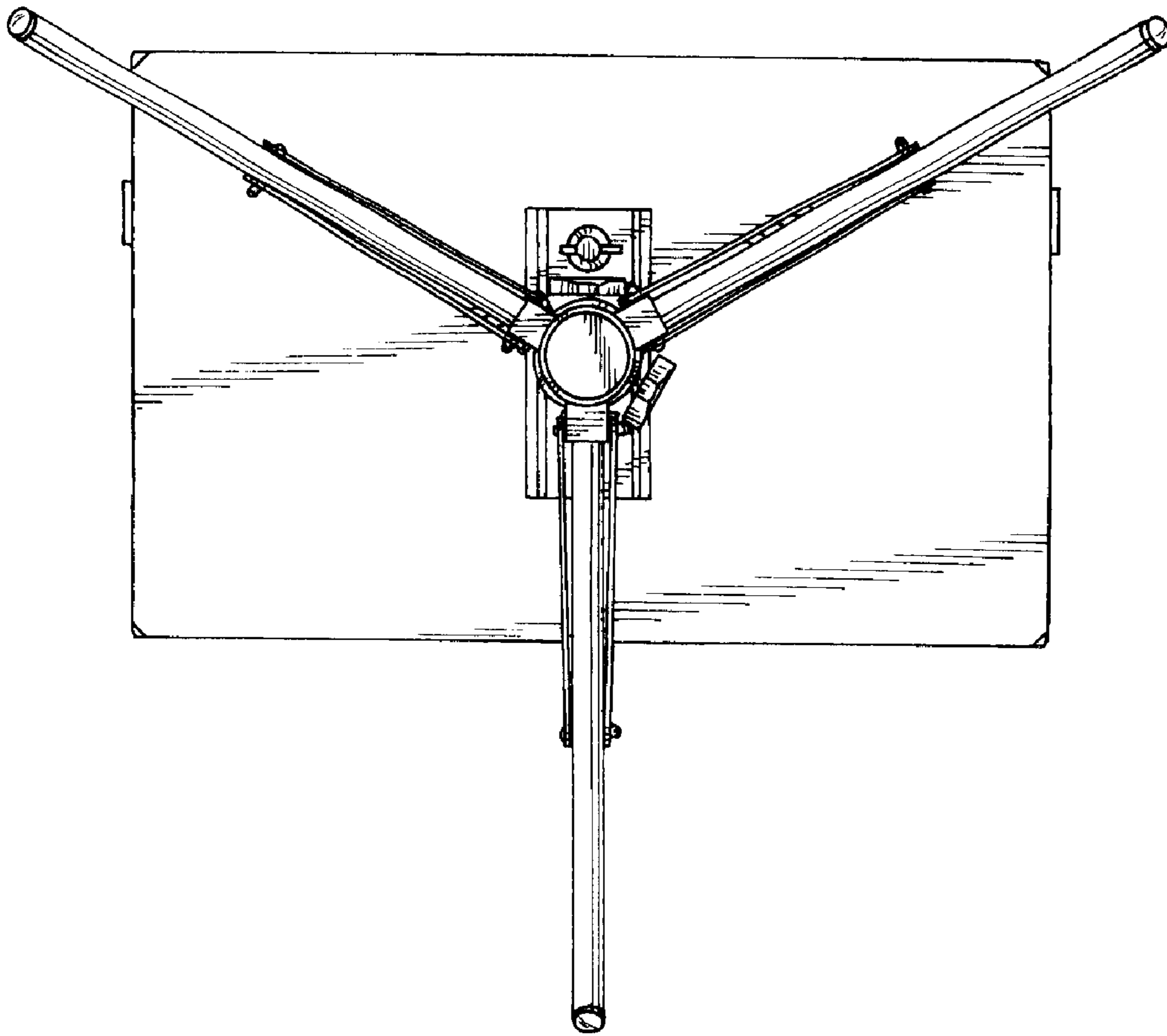


FIG.7

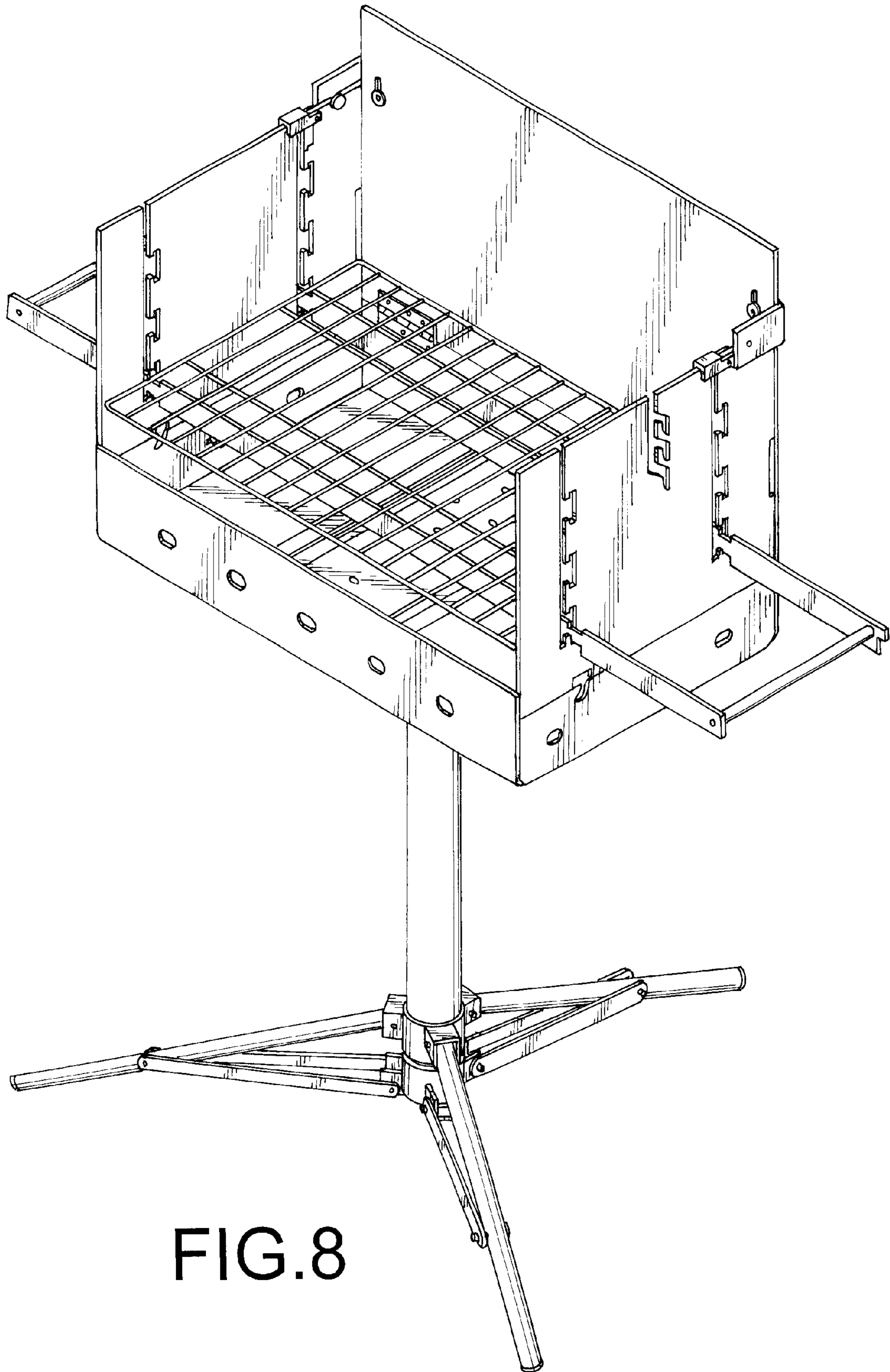


FIG.8