



US00D520802S

(12) **United States Design Patent** (10) **Patent No.:** **US D520,802 S**
McLemore et al. (45) **Date of Patent:** **** May 16, 2006**

(54) **COOKING APPARATUS**

(76) Inventors: **Don McLemore**, 450 Brown Ave.,
Columbus, GA (US) 31906; **John D. McLemore**, 105 Hickory Ct., Fortson,
GA (US) 31906

(**) Term: **14 Years**

(21) Appl. No.: **29/194,932**

(22) Filed: **Dec. 4, 2003**

(51) **LOC (8) Cl.** **07-02**

(52) **U.S. Cl.** **D7/335**

(58) **Field of Classification Search** D7/332,
D7/334-337, 402-405; 126/9 R, 9 B, 25 R,
126/25 A, 25 B, 26, 38, 40, 41 R, 50, 245,
126/304 R, 305, 693; 99/419, 449; 248/127,
248/129, 150, 188; 211/135

See application file for complete search history.

(56) **References Cited**

U.S. PATENT DOCUMENTS

2,094,915 A	10/1937	Dawson	
3,176,676 A	4/1965	Caldwell	
D212,137 S	8/1968	Wiggins	
3,472,151 A	10/1969	Cox	
D223,642 S	5/1972	Shaper	
3,785,361 A	1/1974	Mejyr et al.	
D243,309 S	2/1977	Reunanen	
D260,224 S	* 8/1981	Larson	D7/335
D262,178 S	12/1981	Barber	
D263,194 S	3/1982	Schwartz	
D292,163 S	10/1987	Mashburn et al.	
4,762,114 A	8/1988	Blankemeyer	
D302,778 S	8/1989	Tsai	
5,086,752 A	2/1992	Hait	
5,158,067 A	10/1992	Dutro et al.	
5,404,795 A	4/1995	Coble	
5,471,916 A	12/1995	Bird et al.	
D382,765 S	8/1997	Kellermann	
5,865,099 A	2/1999	Waugh	
5,875,772 A	3/1999	Saey	
5,893,357 A	4/1999	Royer et al.	
D420,244 S	* 2/2000	Pai	D7/332
D428,561 S	7/2000	Johnson	
6,182,650 B1	2/2001	Tuttle	

D438,750 S	*	3/2001	Mashburn et al.	D7/335
6,253,760 B1		7/2001	Mashburn et al.		
D446,678 S	*	8/2001	Pai	D7/337
D465,962 S	*	11/2002	Favela	D7/335
D468,150 S	*	1/2003	Schroeter et al.	D7/335
D472,097 S	*	3/2003	Wu	D7/334
D477,176 S	*	7/2003	Wang	D7/336
D479,430 S		9/2003	Chung		
6,827,076 B1		12/2004	Crawford et al.		

FOREIGN PATENT DOCUMENTS

EP	0 186 929	7/1986
EP	1 072 219	1/2001

OTHER PUBLICATIONS

“Light My Fire” Barbeque Product Advertisement—earliest date not certain but fax notation of Jan. 7, 2003 (4 pages). Product Manual for “Masterbuilt Pedestal Grill” Model SSSMPG with estimated original publication date of Feb. 26, 2004.

Product Manual for “Masterbuilt Pedestal Grill” Models SBMPG3, SMPG3 with estimated original publication date of Feb. 26, 2004.

Product Manual for “Magma Pedestal Grill” Model 64-001A with estimated original publication date of Mar. 2002.

* cited by examiner

Primary Examiner—Ruth McInroy

(74) *Attorney, Agent, or Firm*—Smith Gambrell & Russell LLP

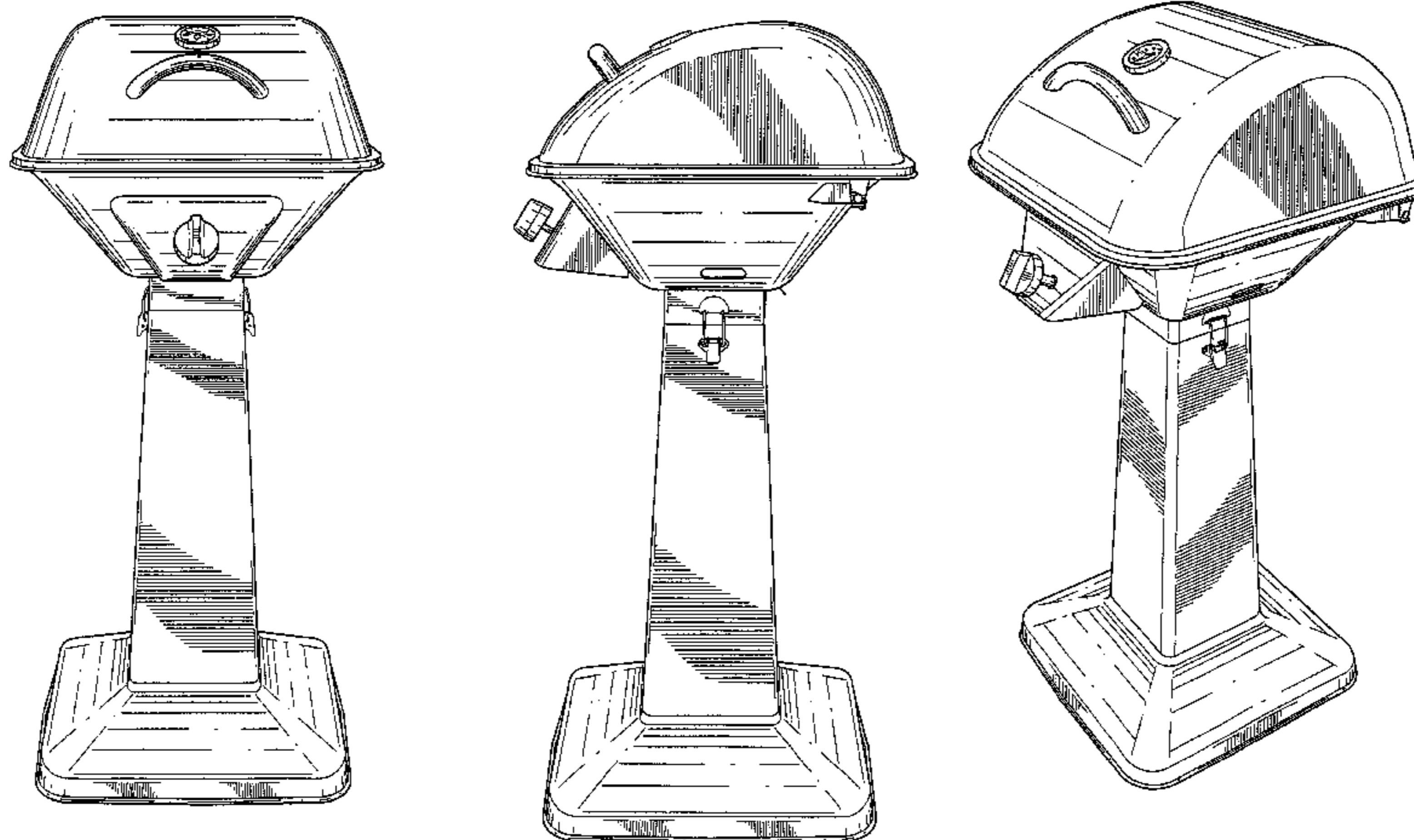
(57) **CLAIM**

The ornamental design for an cooking apparatus, as shown.

DESCRIPTION

FIG. 1 is a front perspective view of a cooking apparatus showing our new design;
FIG. 2 is a rear perspective view thereof;
FIG. 3 is a top perspective view thereof;
FIG. 4 is a right side perspective view thereof;
FIG. 5 is a left side perspective view thereof; and,
FIG. 6 is a perspective view thereof from above and to the right side.

1 Claim, 6 Drawing Sheets



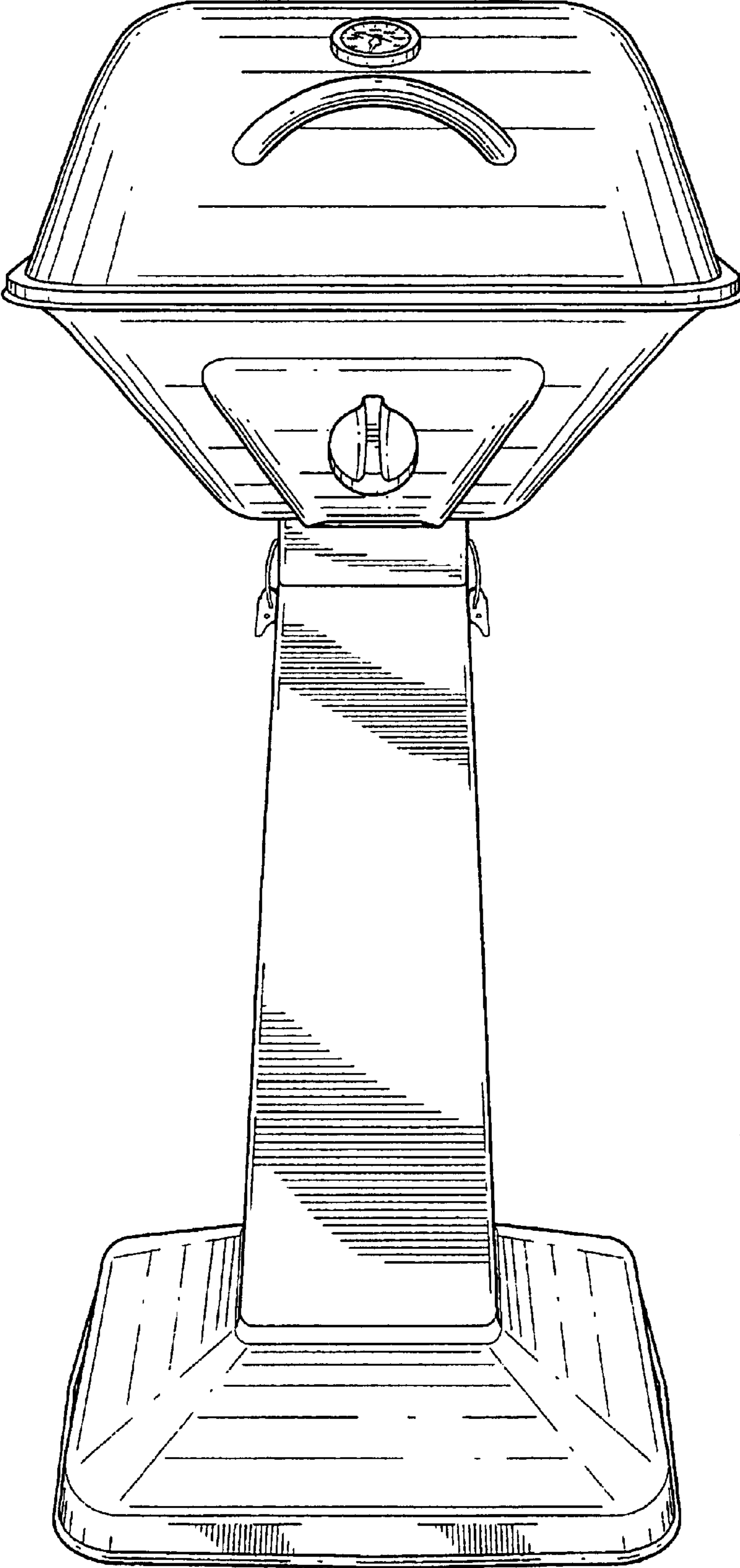


FIG. 1

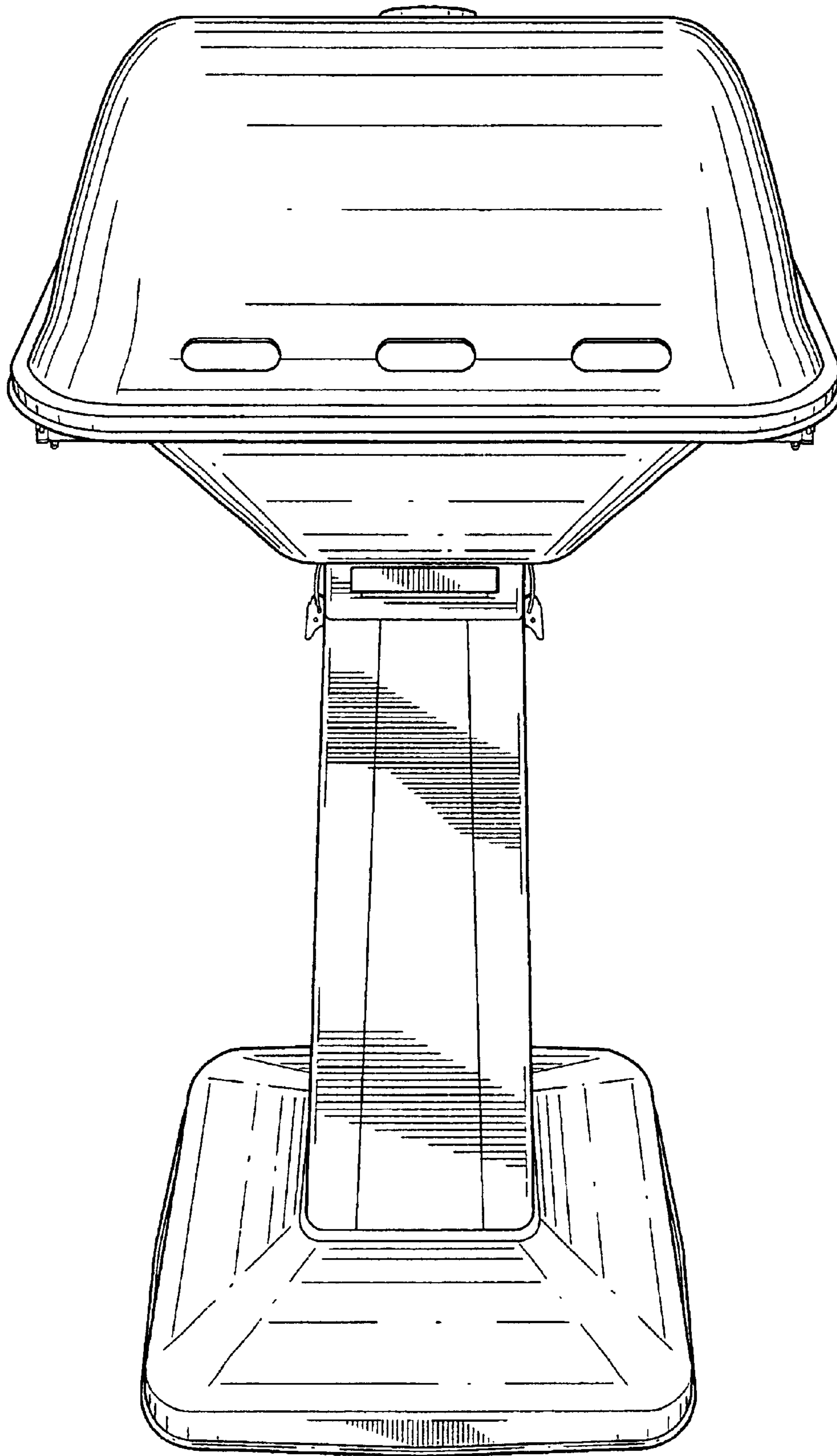


FIG. 2

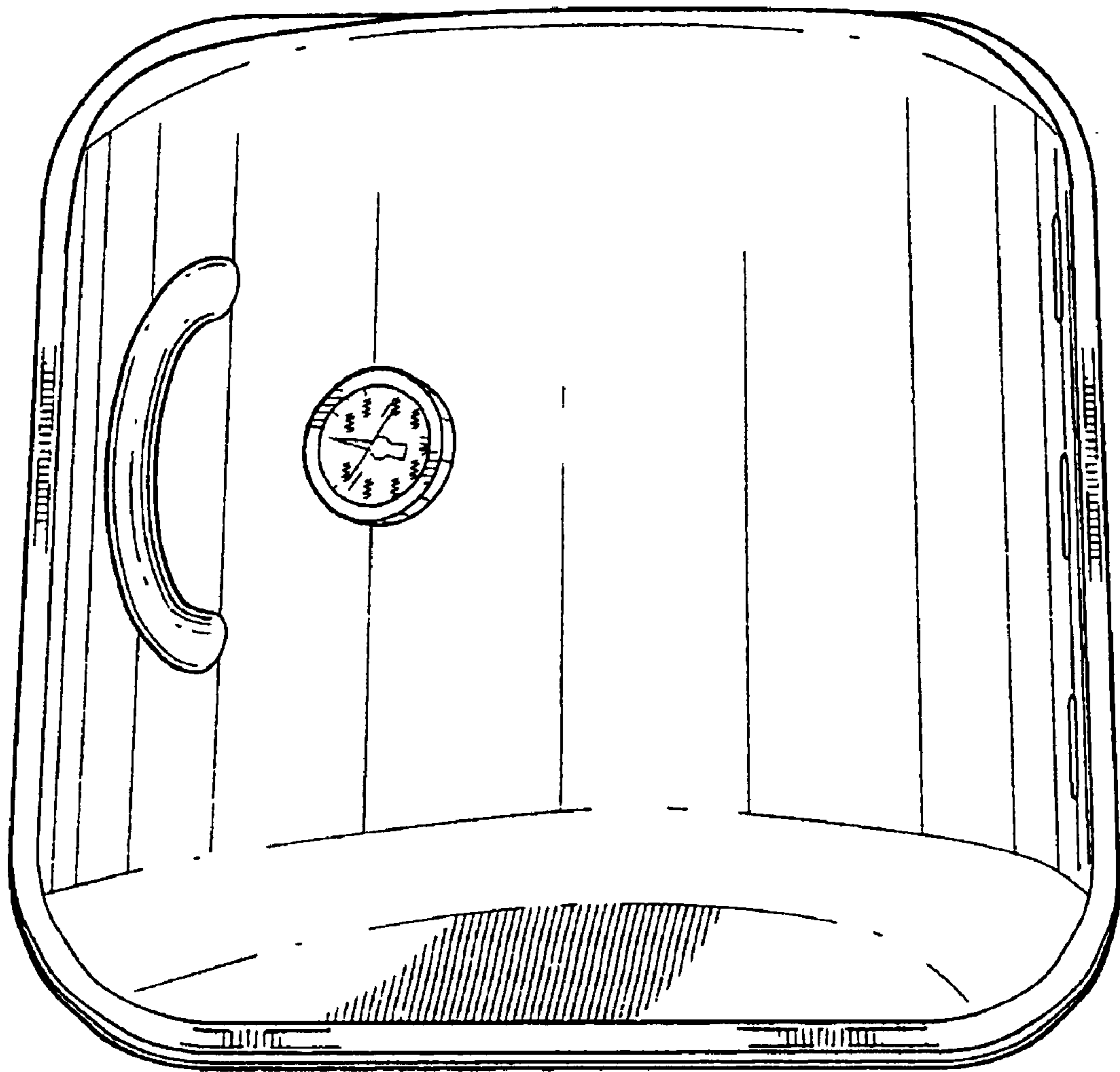


FIG. 3

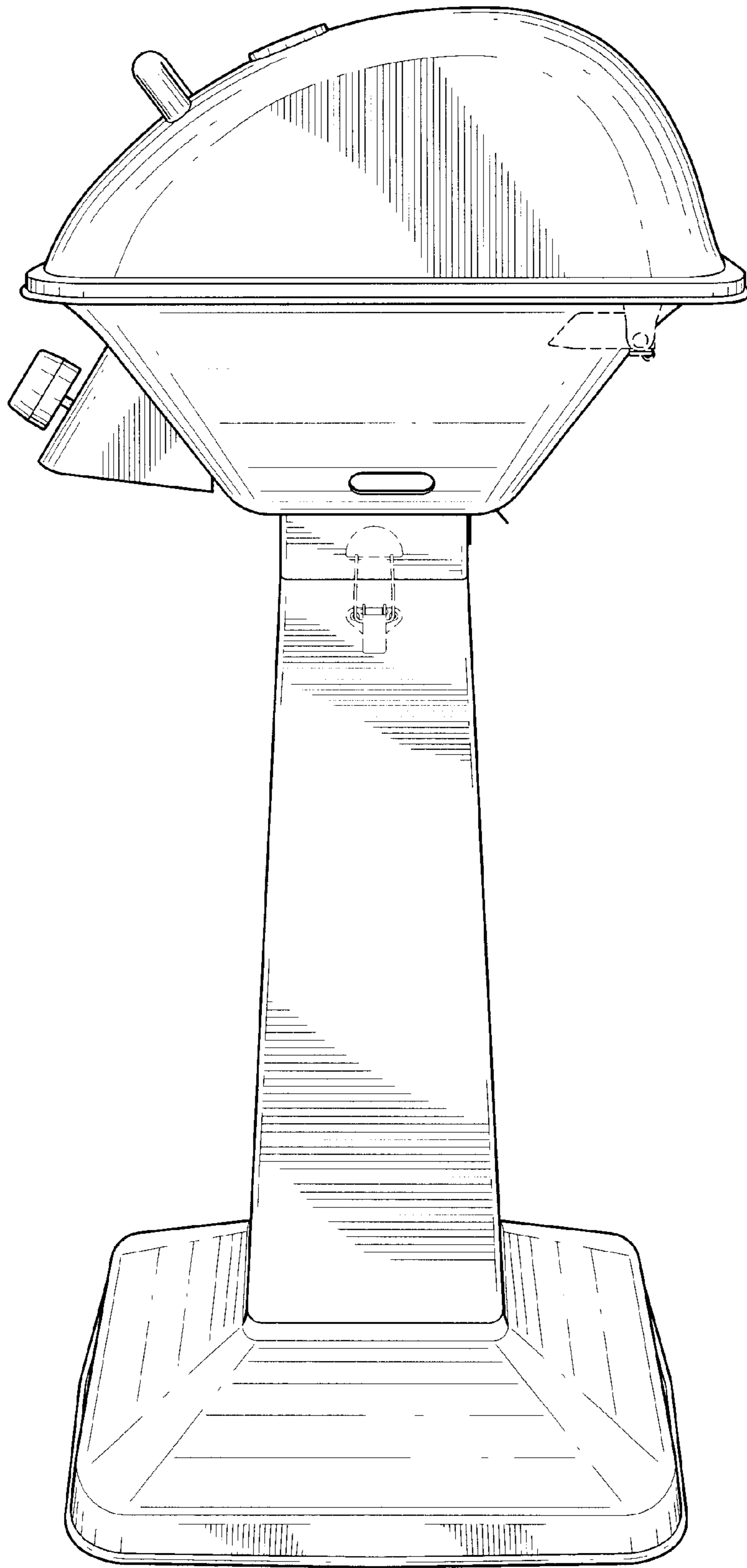


FIG. 4

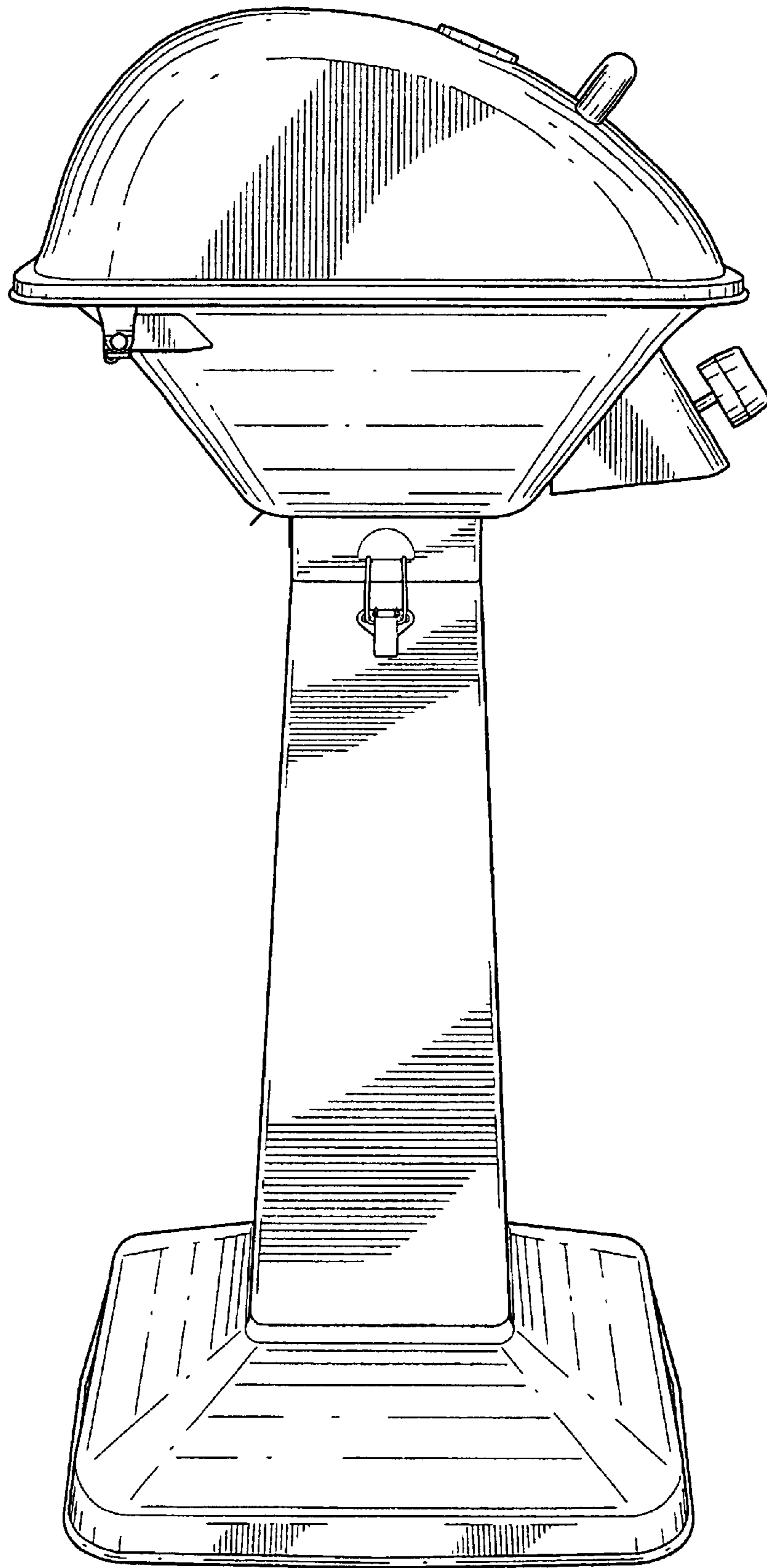


FIG. 5

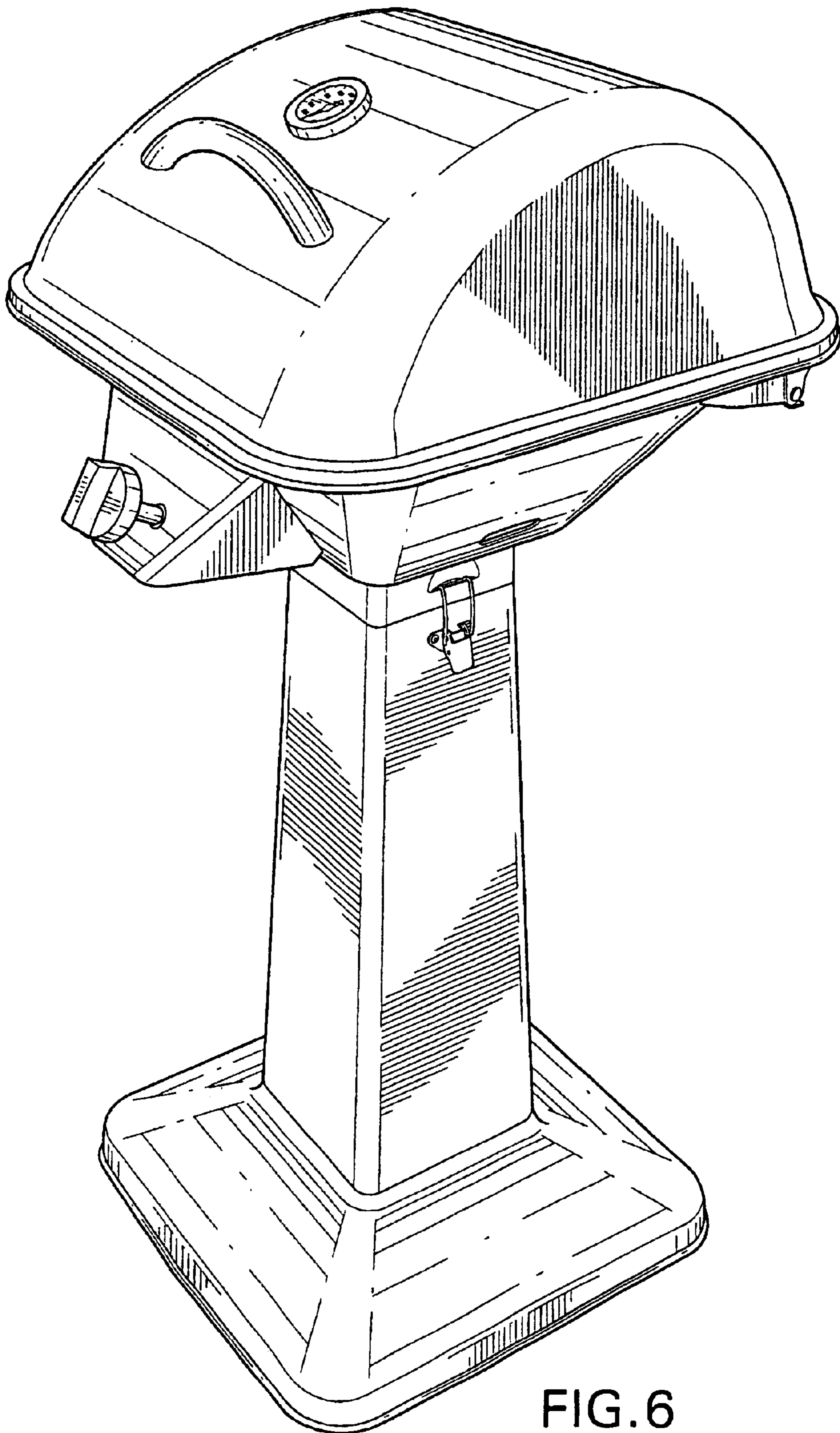


FIG. 6