



US00D520799S

(12) **United States Design Patent**
Breuner

(10) **Patent No.:** **US D520,799 S**

(45) **Date of Patent:** **** May 16, 2006**

(54) **STORAGE CASE FOR DVD OR CD**

(76) Inventor: **Alfred Breuner**, 1095 de la Picardirere,
Laval, Quebec (CA), H7E 4A4

(**) Term: **14 Years**

(21) Appl. No.: **29/213,229**

(22) Filed: **Sep. 15, 2004**

(51) **LOC (8) Cl.** **06-04**

(52) **U.S. Cl.** **D6/634; D6/407; D6/632;**
D6/635

(58) **Field of Classification Search** D3/218,
D3/270; D6/407, 626-635; 206/18, 307.1,
206/308.1, 308.2, 308.3, 309, 310, 311, 312,
206/313, 445, 749; 312/9.1, 902, 9.9, 9.48,
312/9.55, 9.64, 9.47, 9.53, 328

See application file for complete search history.

(56) **References Cited**

U.S. PATENT DOCUMENTS

D212,839 S	*	11/1968	Dustin	D6/633
3,876,134 A		4/1975	Rice et al.		
3,908,824 A	*	9/1975	Takahara et al.	206/312
D282,410 S	*	2/1986	Ekuan	D6/635
4,627,534 A		12/1986	Komiyama et al.		
4,635,792 A		1/1987	Yamada et al.		
4,639,813 A	*	1/1987	Uno	360/128
4,879,710 A		11/1989	Iijima		
5,407,073 A	*	4/1995	Uchida	206/308.3
5,445,265 A	*	8/1995	Herr et al.	206/308.1
5,476,173 A		12/1995	Opresco		
5,715,938 A	*	2/1998	Cheris et al.	206/308.1
D401,463 S	*	11/1998	Cheris et al.	D6/634
5,842,563 A	*	12/1998	Herr et al.	206/308.1
D406,719 S		3/1999	Clausen		

D419,359 S	*	1/2000	Eguchi et al.	D6/634
6,070,721 A	*	6/2000	Levitan	206/308.1
6,409,014 B1	*	6/2002	Hummell et al.	206/308.1

FOREIGN PATENT DOCUMENTS

JP 358118070 A 7/1983

* cited by examiner

Primary Examiner—Celia A. Murphy

(74) *Attorney, Agent, or Firm*—Pandiscio & Pandiscio

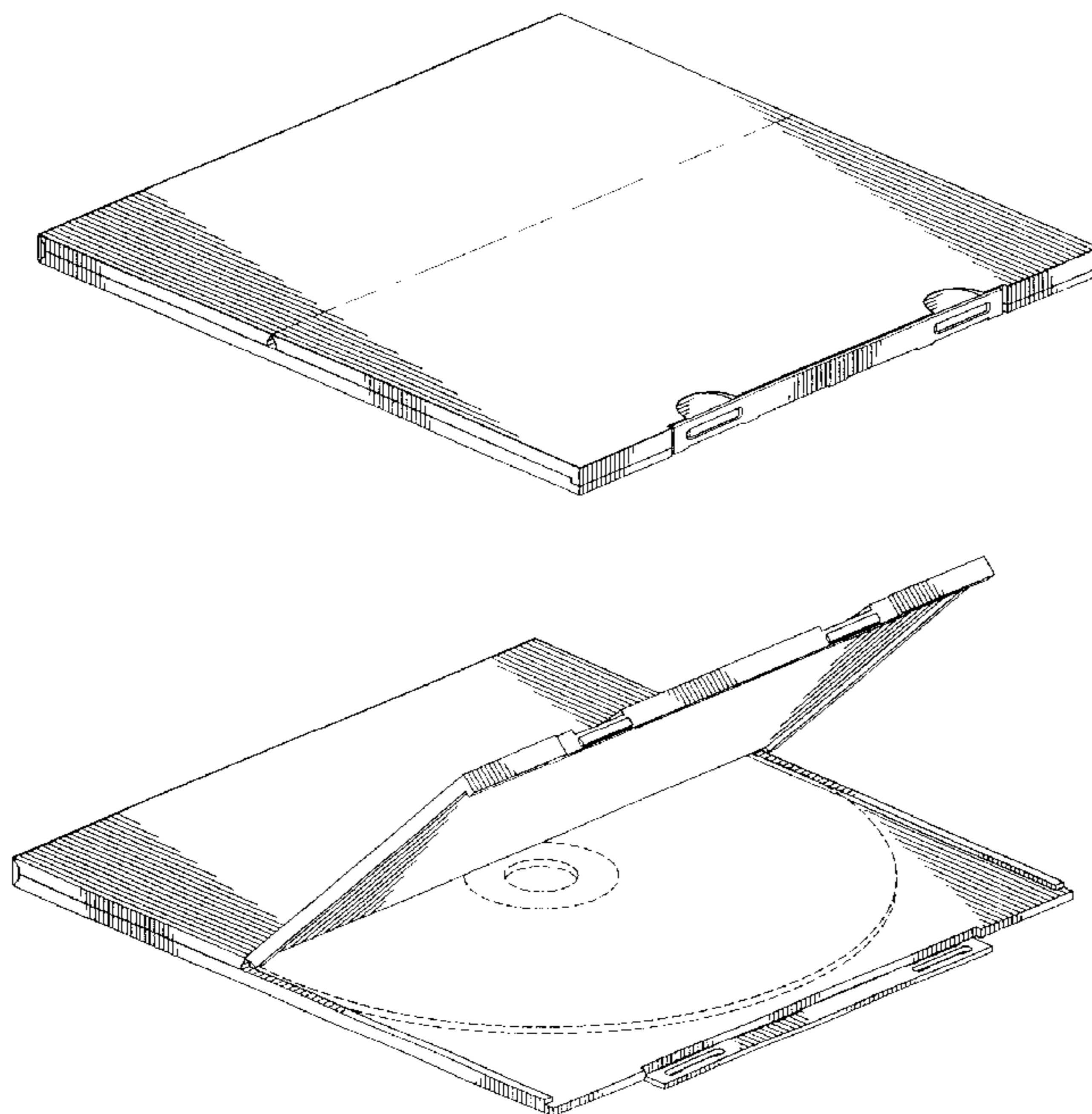
(57) **CLAIM**

The ornamental design for a storage case for DVD or CD,
as shown and described.

DESCRIPTION

FIG. 1 is a perspective view of a storage case for DVD or CD showing the new design;
 FIG. 2 is a left side elevational view thereof;
 FIG. 3 is a right side elevational view thereof;
 FIG. 4 is a front elevational view thereof;
 FIG. 5 is a rear elevational view thereof;
 FIG. 6 is a top plan view thereof;
 FIG. 7 is a bottom plan view thereof;
 FIG. 8 is a perspective view thereof, the storage case shown in a first open position;
 FIG. 9 is a perspective view thereof, the storage case shown in a second open position; and,
 FIG. 10 is a perspective view thereof, the storage case in the first open position with DVD or CD shown in phantom.
 The broken lines on the top surface of FIGS. 1 & 6 represent the point at which the top cover bends. The portion of the disk shown in broken lines in FIG. 10 represents the portion of the design that forms no part of the claim.

1 Claim, 5 Drawing Sheets



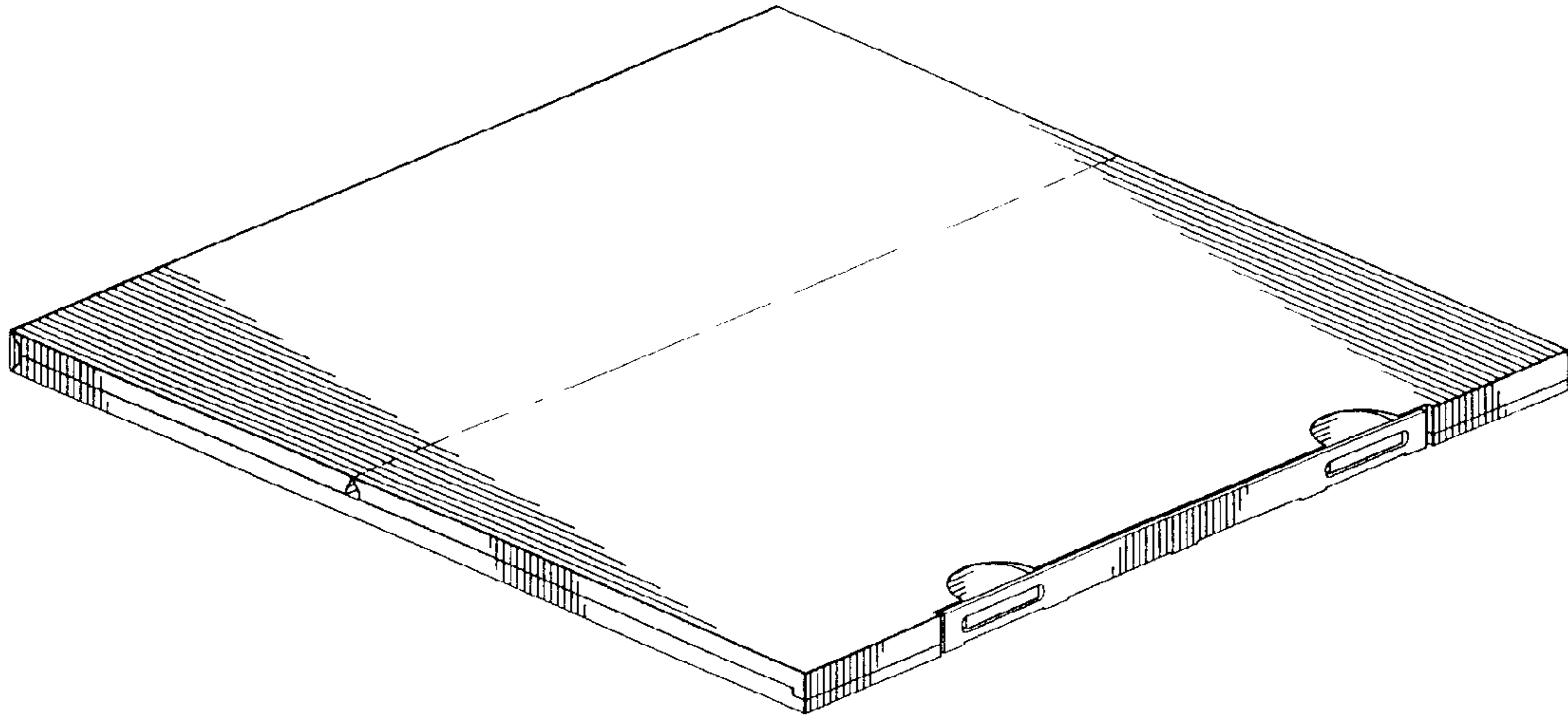


FIG. 1

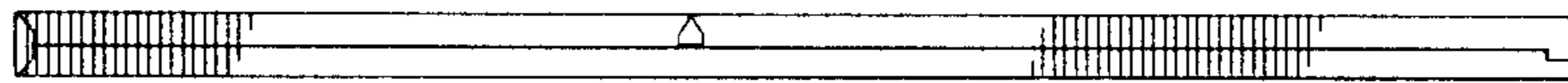


FIG. 2

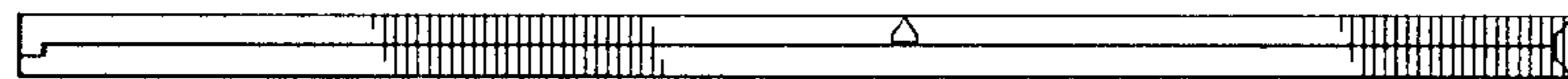


FIG. 3



FIG. 4

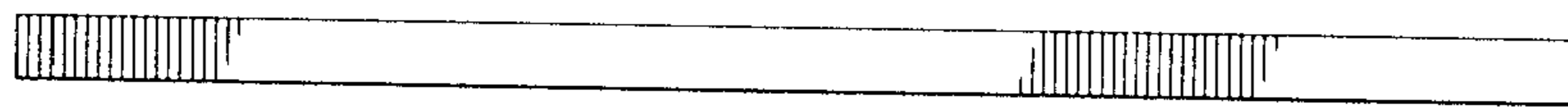


FIG. 5

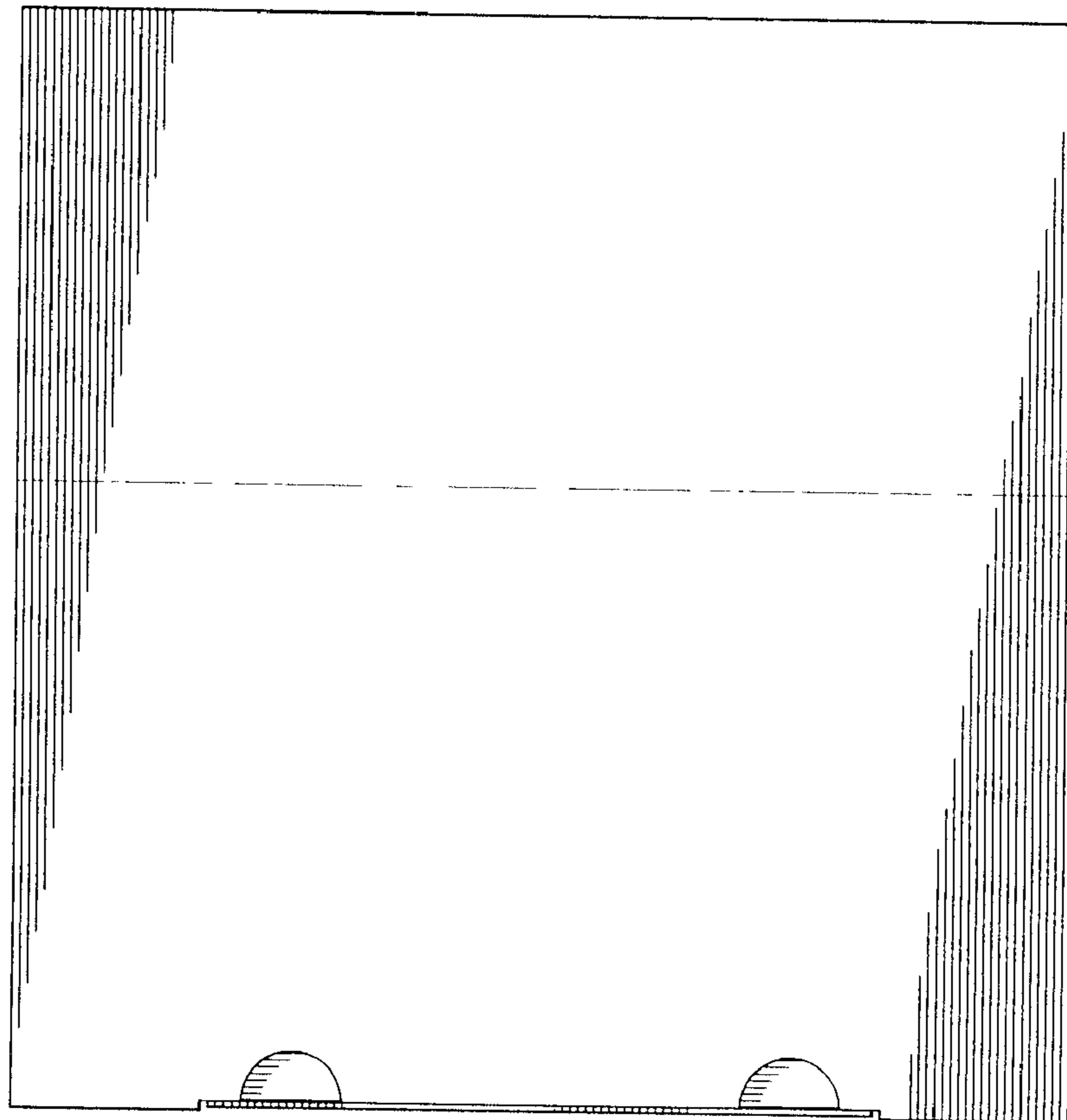


FIG. 6

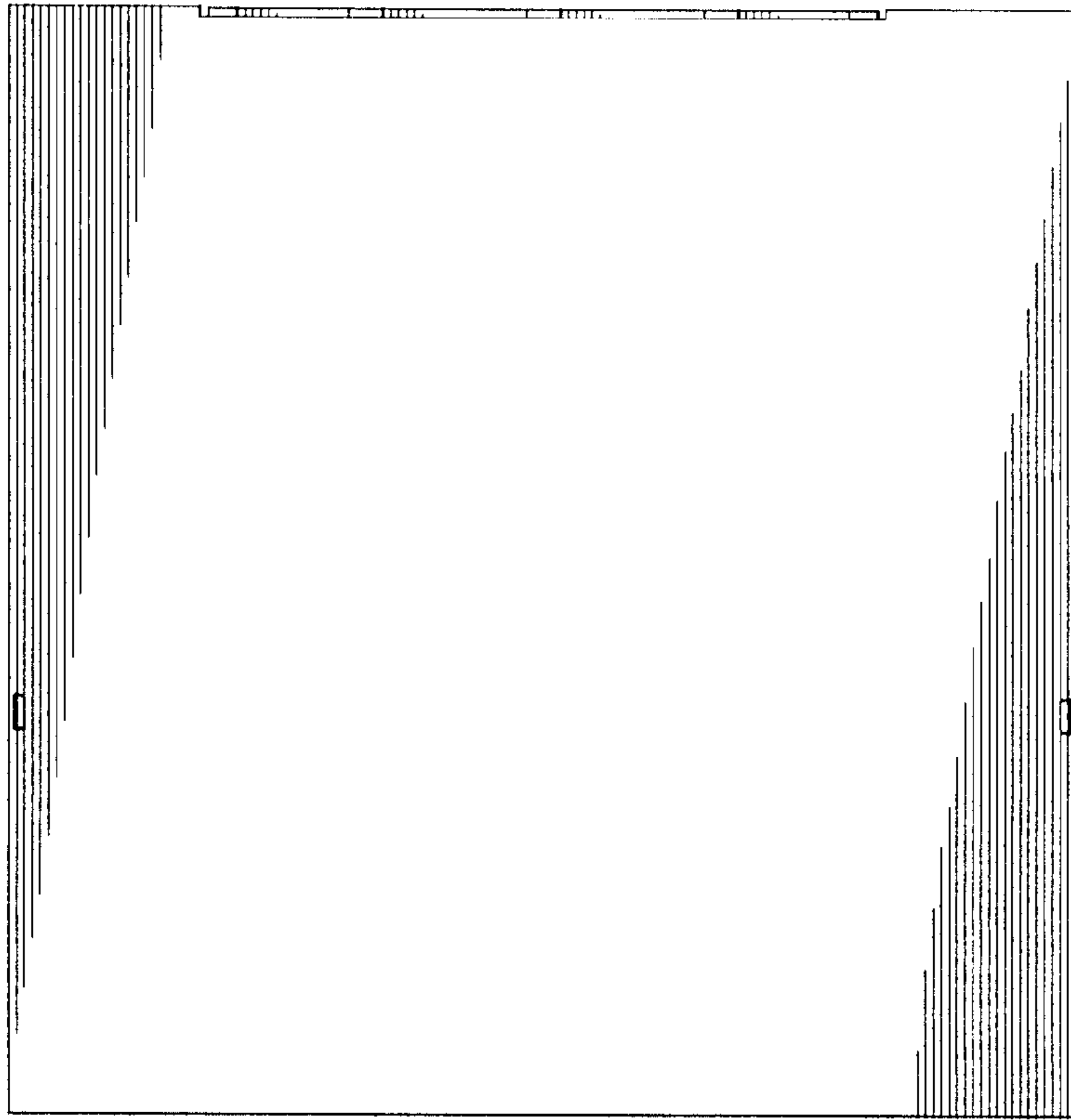


FIG. 7

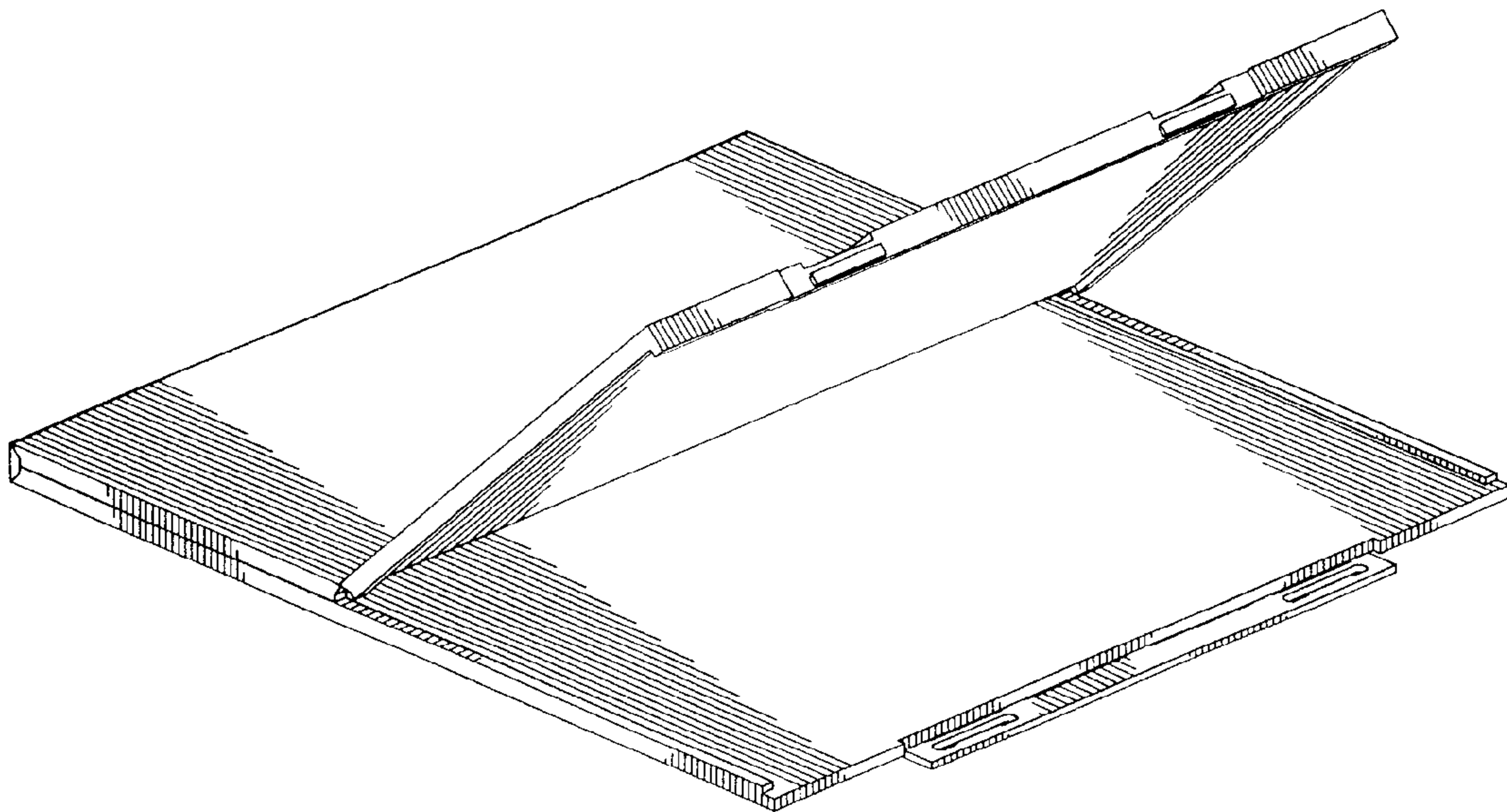


FIG. 8

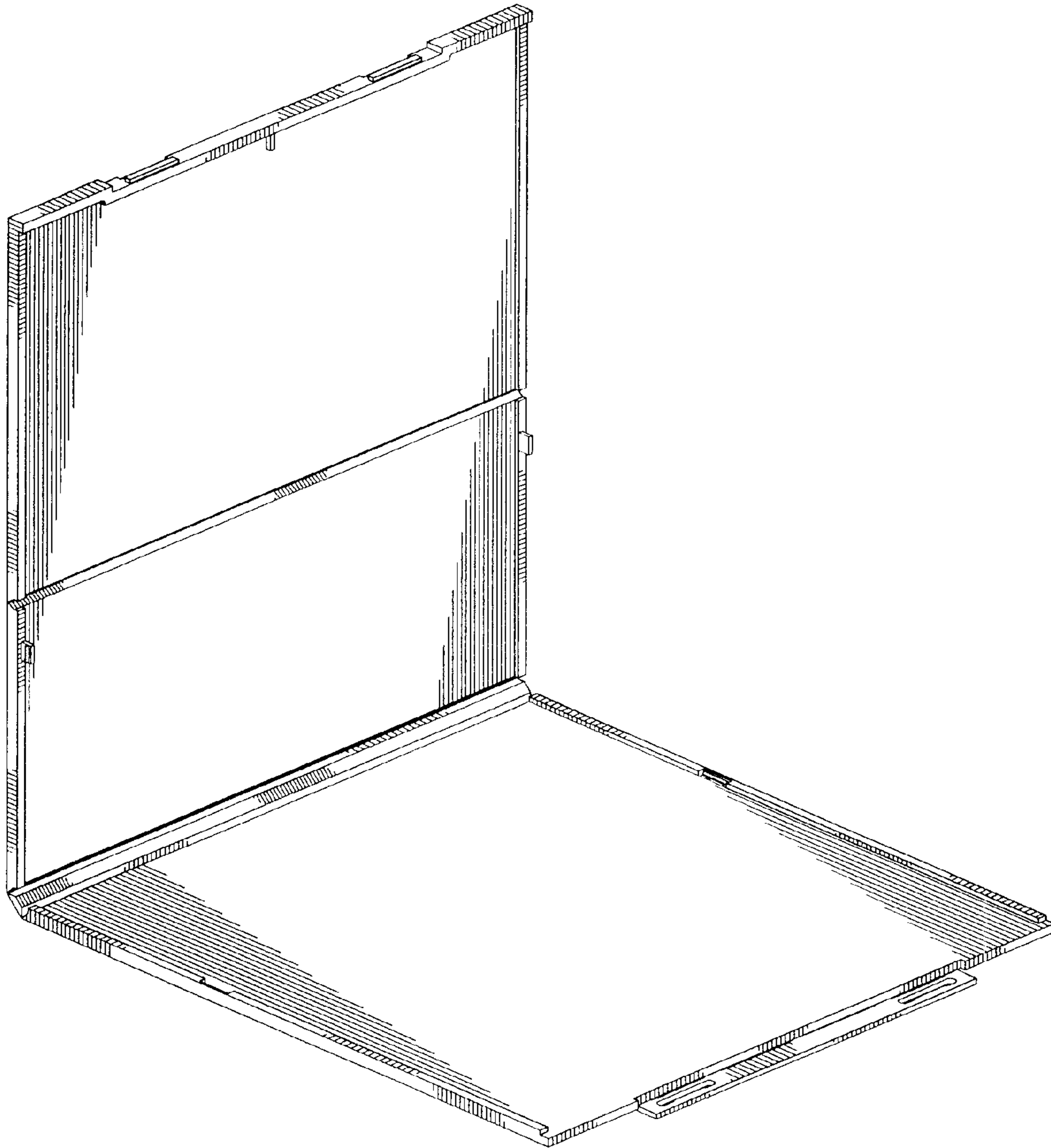


FIG. 9

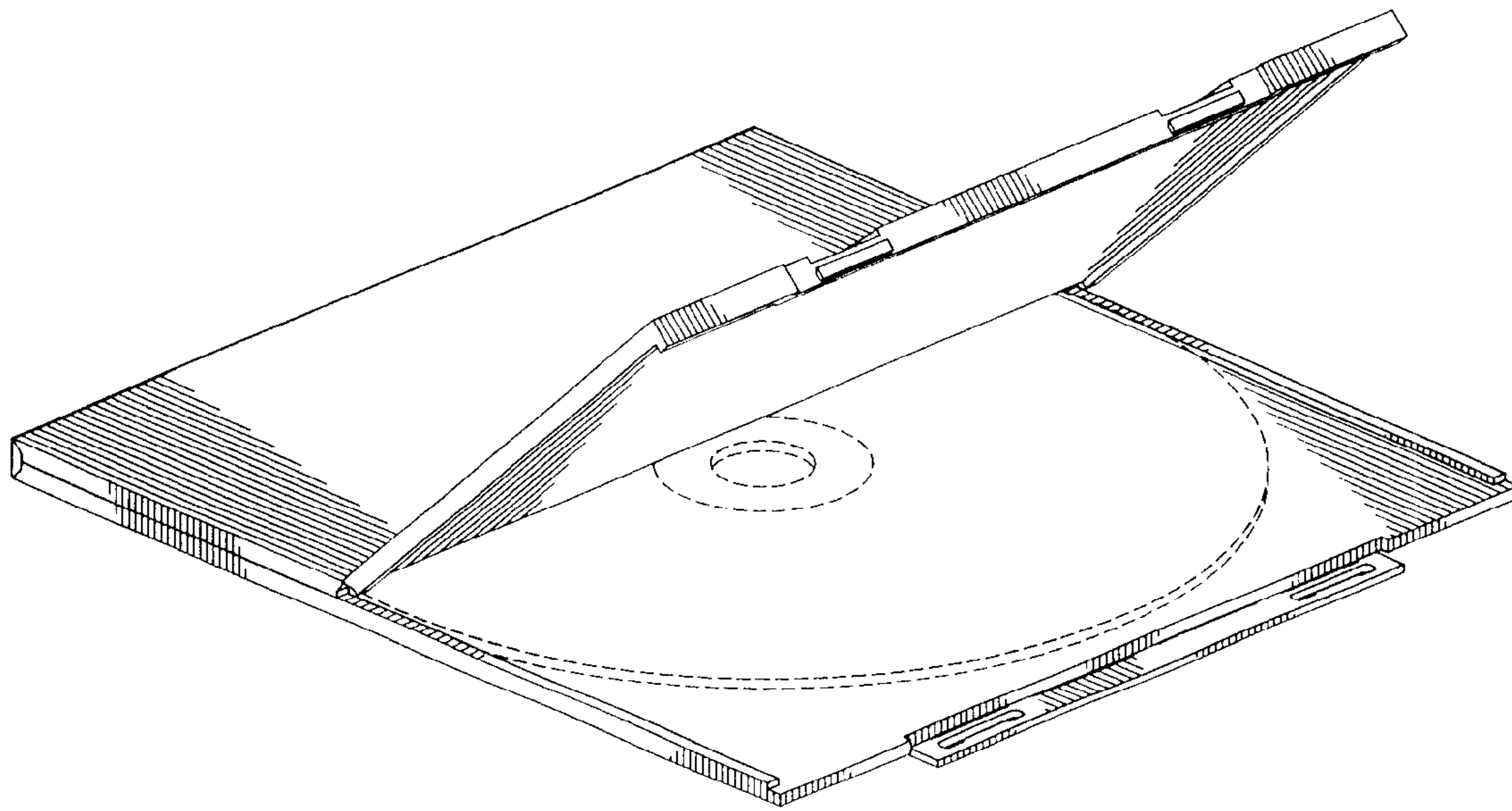


FIG. 10