

US00D520796S

(12) **United States Design Patent** (10) **Patent No.:** **US D520,796 S**
Peeler et al. (45) **Date of Patent:** **** May 16, 2006**

(54) **SHELF**

(76) Inventors: **David Todd Peeler**, 1231 Abiff Rd.,
Bon Aqua, TN (US) 37025; **David**
Grey Peeler, 1198 Southerland Rd.,
Dickson, TN (US) 37055

(**) Term: **14 Years**

(21) Appl. No.: **29/232,644**

(22) Filed: **Jun. 23, 2005**

(51) **LOC (8) Cl.** **06-04**

(52) **U.S. Cl.** **D6/574**

(58) **Field of Classification Search** D6/553,
D6/567, 572, 574; 108/28-29; 248/235, 309.1;
211/13.1, 42, 71.01, 86.01, 88.01, 88.03,
211/90.01, 90.03, 126.1, 133.5, 134, 153,
211/182

See application file for complete search history.

(56) **References Cited**

U.S. PATENT DOCUMENTS

D165,940 S	2/1952	Smilie	
D260,832 S	* 9/1981	Verdesca et al.	D6/572
D358,733 S	* 5/1995	Paul	D6/574
D373,699 S	* 9/1996	Moon	D6/574
D394,774 S	* 6/1998	St-Pierre et al.	D6/571
D398,470 S	* 9/1998	St-Pierre et al.	D6/574
D430,955 S	* 9/2000	Ishida	D28/36
D433,860 S	* 11/2000	Suzuki	D6/555
D436,782 S	* 1/2001	Rapp	D6/574

6,624,389 B1	9/2003	Cox	
D486,684 S	* 2/2004	Hessell	D6/574
D489,927 S	* 5/2004	Hoernig	D6/574
D492,872 S	* 7/2004	Graves et al.	D6/574
D509,088 S	* 9/2005	Hoernig	D6/574
D509,393 S	* 9/2005	Winig et al.	D6/574

* cited by examiner

Primary Examiner—Brian N Vinson

(74) *Attorney, Agent, or Firm*—Richard C. Litman

(57) **CLAIM**

The ornamental design for a shelf, as shown and described.

DESCRIPTION

FIG. 1 is an environmental perspective view of a shelf showing my new design;

FIG. 2 is a top plan view thereof;

FIG. 3 is an environmental front elevational view thereof;

FIG. 4 is an environmental rear elevational view thereof;

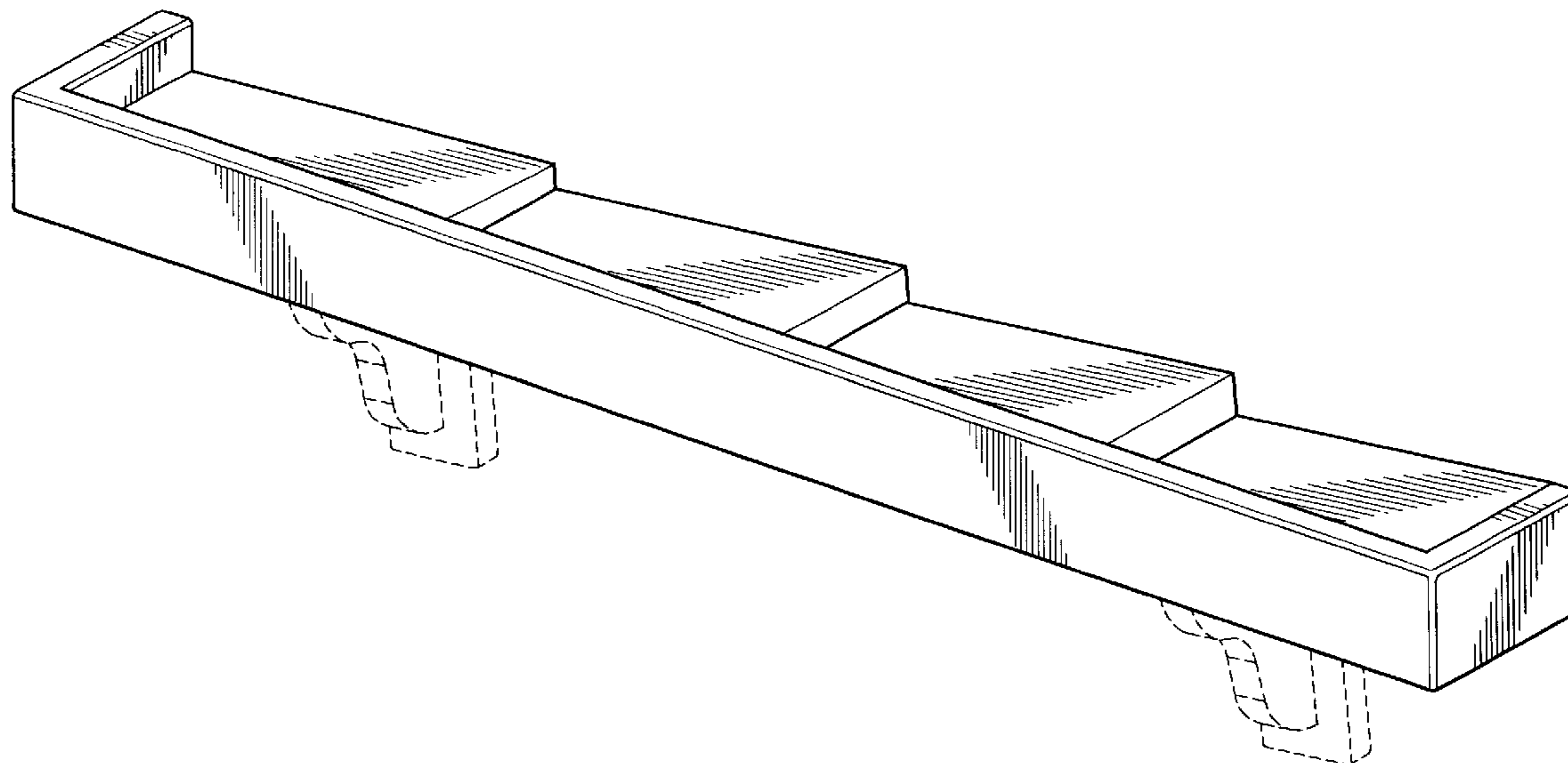
FIG. 5 is an environmental right side elevational view thereof;

FIG. 6 is an environmental left side elevational view thereof; and,

FIG. 7 is an environmental bottom plan view thereof.

The broken line showing of supports and brackets in FIGS. 1, 3, and 5-7 and of brackets in FIG. 4 are for illustrative purposes only, merely disclosing the types of brackets and supports which can be used, and forms no part of the claimed design.

1 Claim, 6 Drawing Sheets



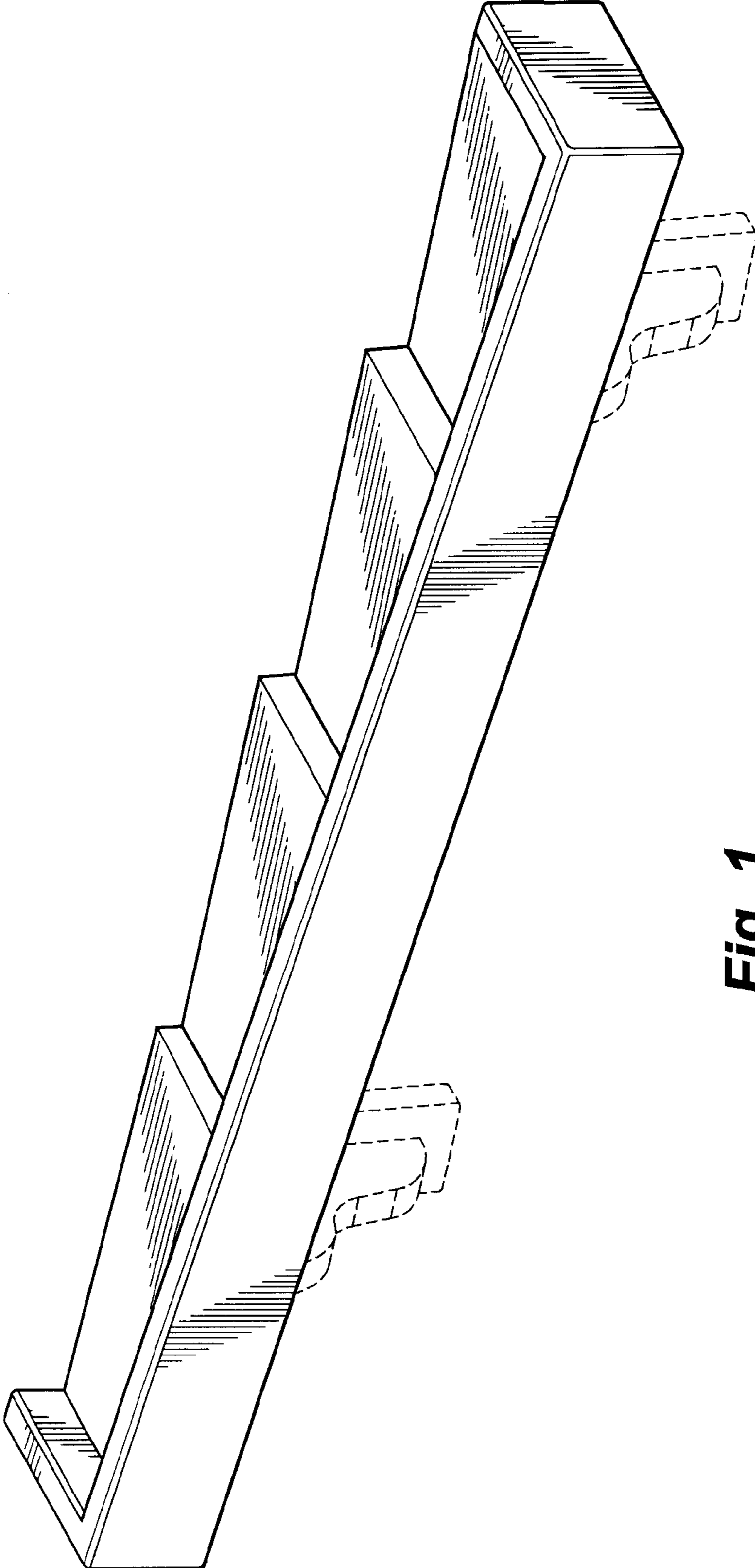


Fig. 1

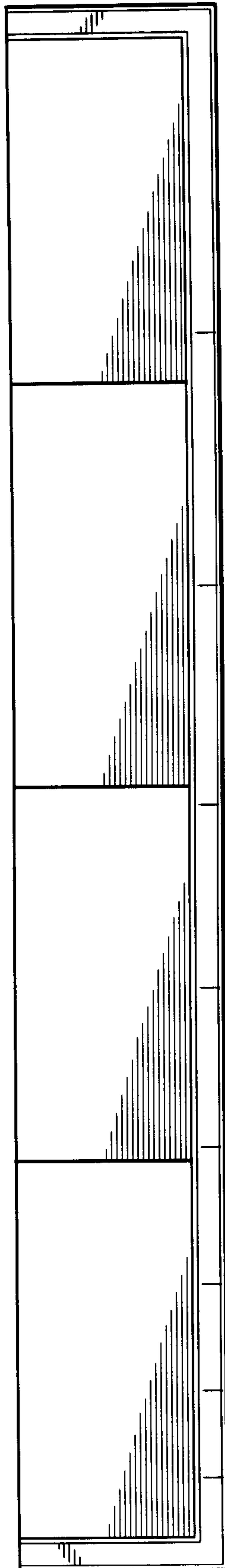


Fig. 2

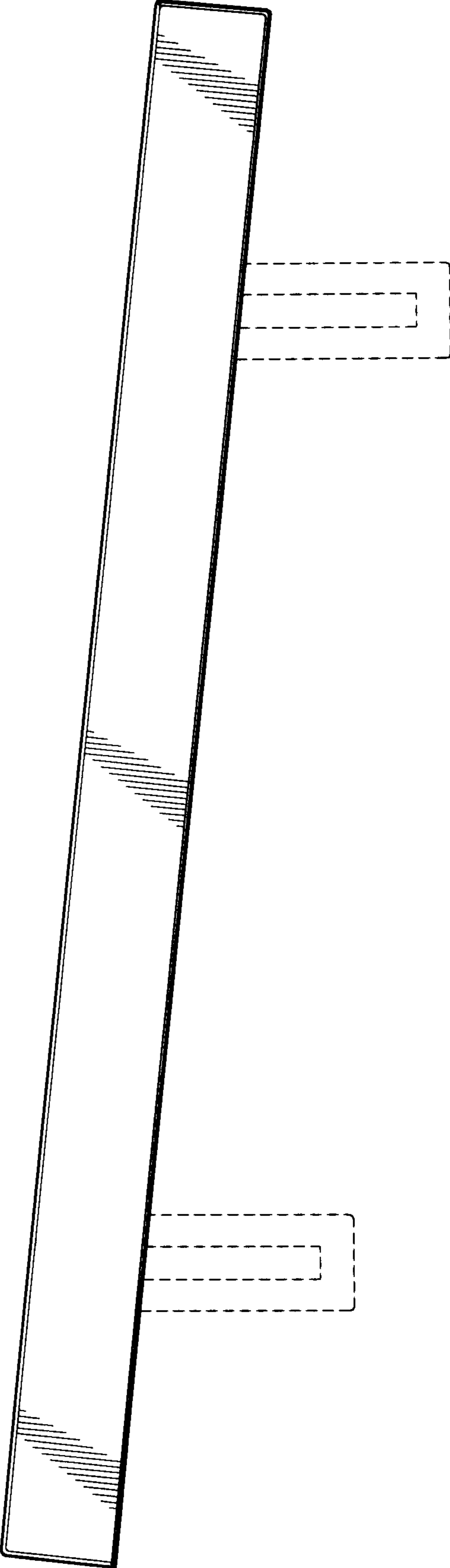


Fig. 3

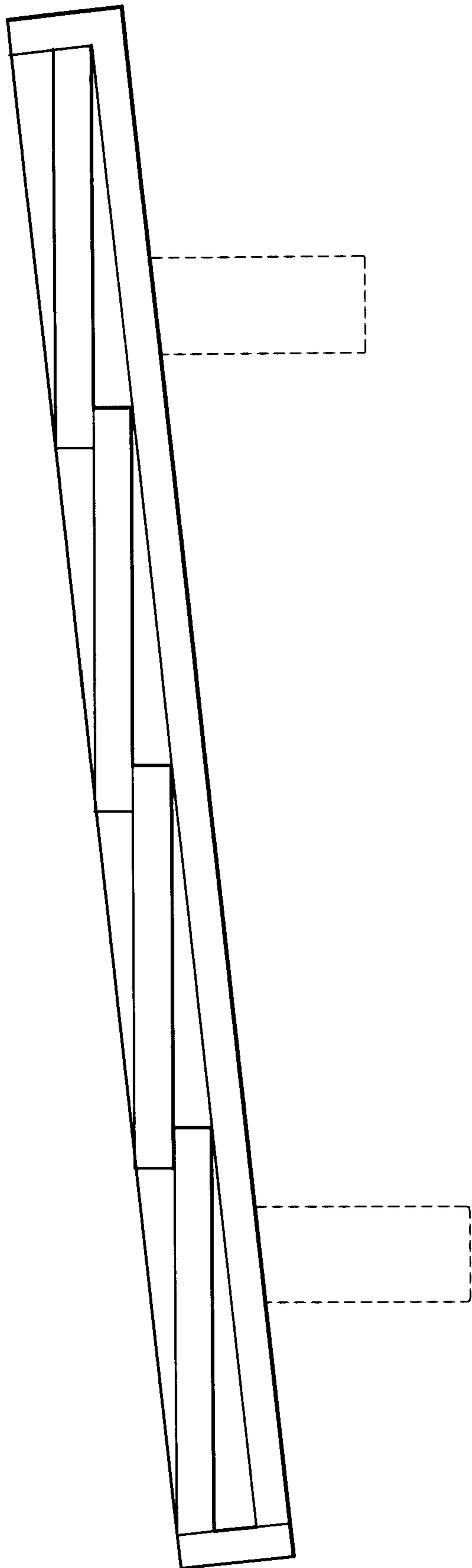


Fig. 4

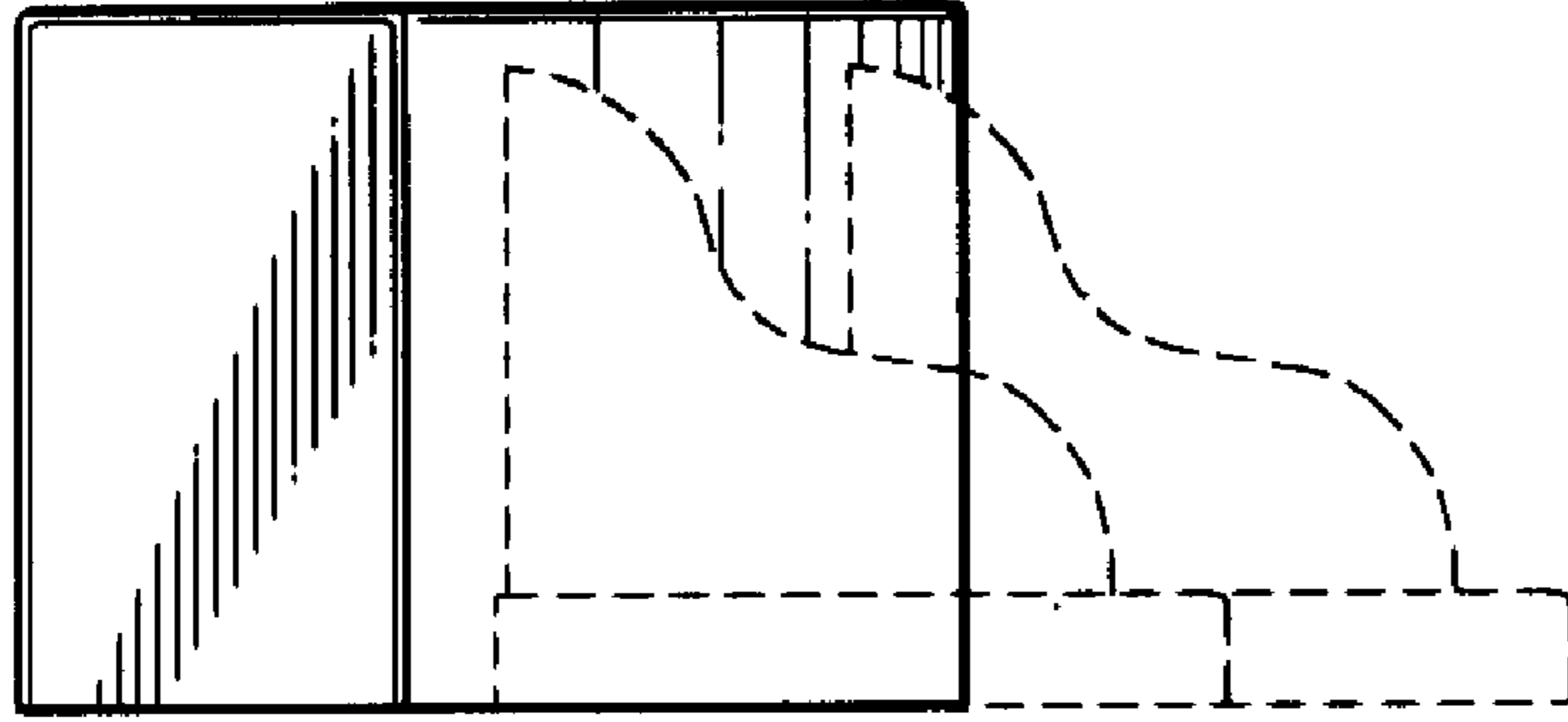


Fig. 6

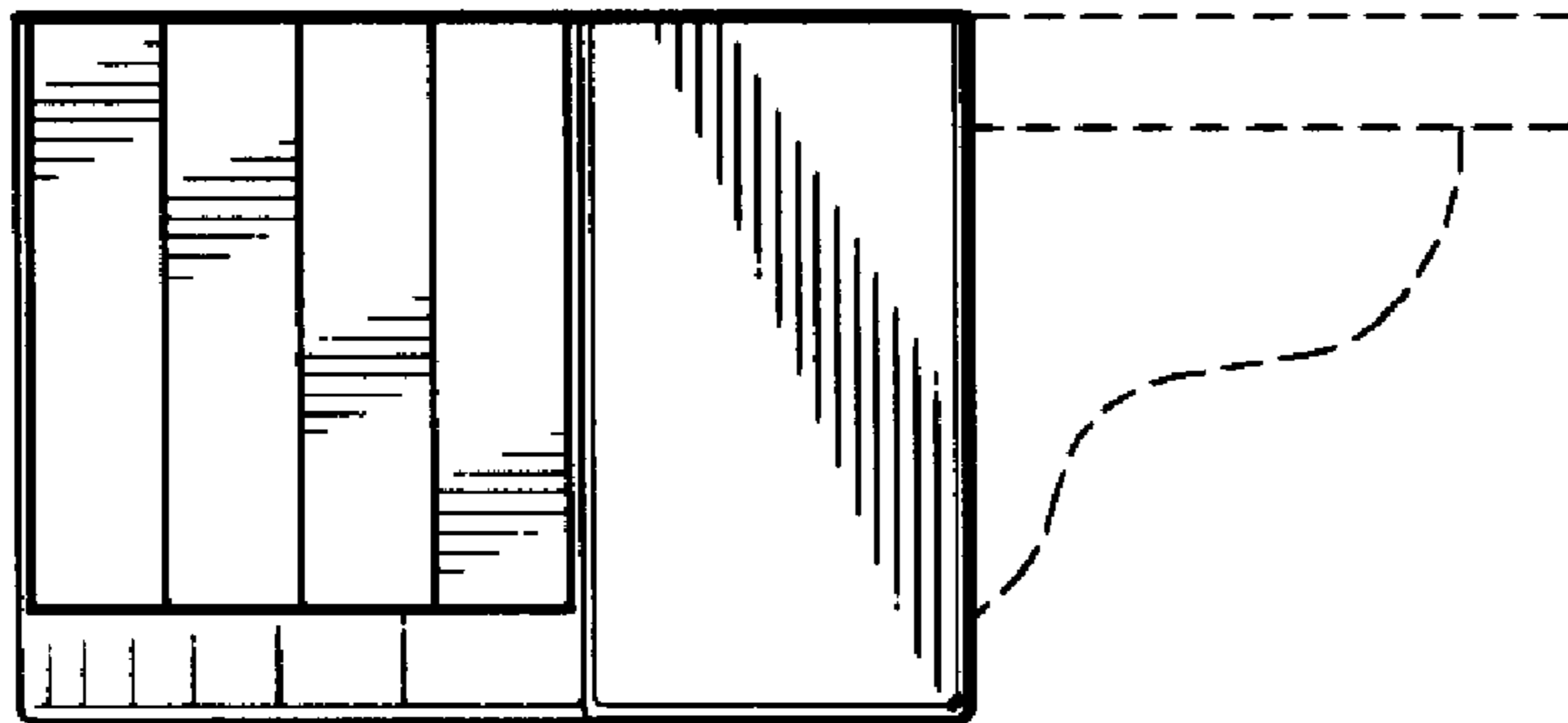


Fig. 5

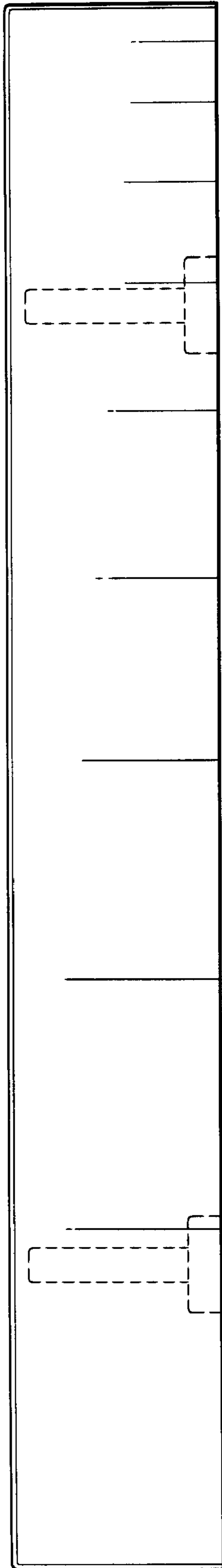


Fig. 7