



US00D520795S

(12) **United States Design Patent**
Kivett

(10) **Patent No.:** **US D520,795 S**

(45) **Date of Patent:** **** May 16, 2006**

(54) **WING DISPLAY SHELF**

(75) Inventor: **Joel Kivett**, Lawrence, KS (US)

(73) Assignee: **Schroeder & Tremayne, Inc.**, St. Louis, MO (US)

(**) Term: **14 Years**

(21) Appl. No.: **29/231,558**

(22) Filed: **Jun. 7, 2005**

(51) **LOC (8) Cl.** **06-04**

(52) **U.S. Cl.** **D6/574**

(58) **Field of Classification Search** D6/553,
D6/567, 572, 574; 108/28-29; 248/235, 309.1;
211/13.1, 42, 71.01, 86.01, 88.01, 88.03,
211/90.01, 90.03, 126.1, 133.5, 134, 153,
211/182

See application file for complete search history.

(56) **References Cited**

U.S. PATENT DOCUMENTS

D260,832 S	*	9/1981	Verdesca et al.	D6/572
D358,733 S	*	5/1995	Paul	D6/574
D373,699 S	*	9/1996	Moon	D6/574
D394,774 S	*	6/1998	St-Pierre et al.	D6/571
D398,470 S	*	9/1998	St-Pierre et al.	D6/574
D430,955 S	*	9/2000	Ishida	D28/36
D433,860 S	*	11/2000	Suzuki	D6/555
D436,782 S	*	1/2001	Rapp	D6/574
D486,684 S	*	2/2004	Hessell	D6/574
D489,927 S	*	5/2004	Hoernig	D6/574
D492,872 S	*	7/2004	Graves et al.	D6/574

D509,088 S	*	9/2005	Hoernig	D6/574
D509,393 S	*	9/2005	Winig et al.	D6/574

* cited by examiner

Primary Examiner—Brian N Vinson

(74) *Attorney, Agent, or Firm*—Thompson Coburn LLP

(57) **CLAIM**

The ornamental design for a wing display shelf, as shown and described.

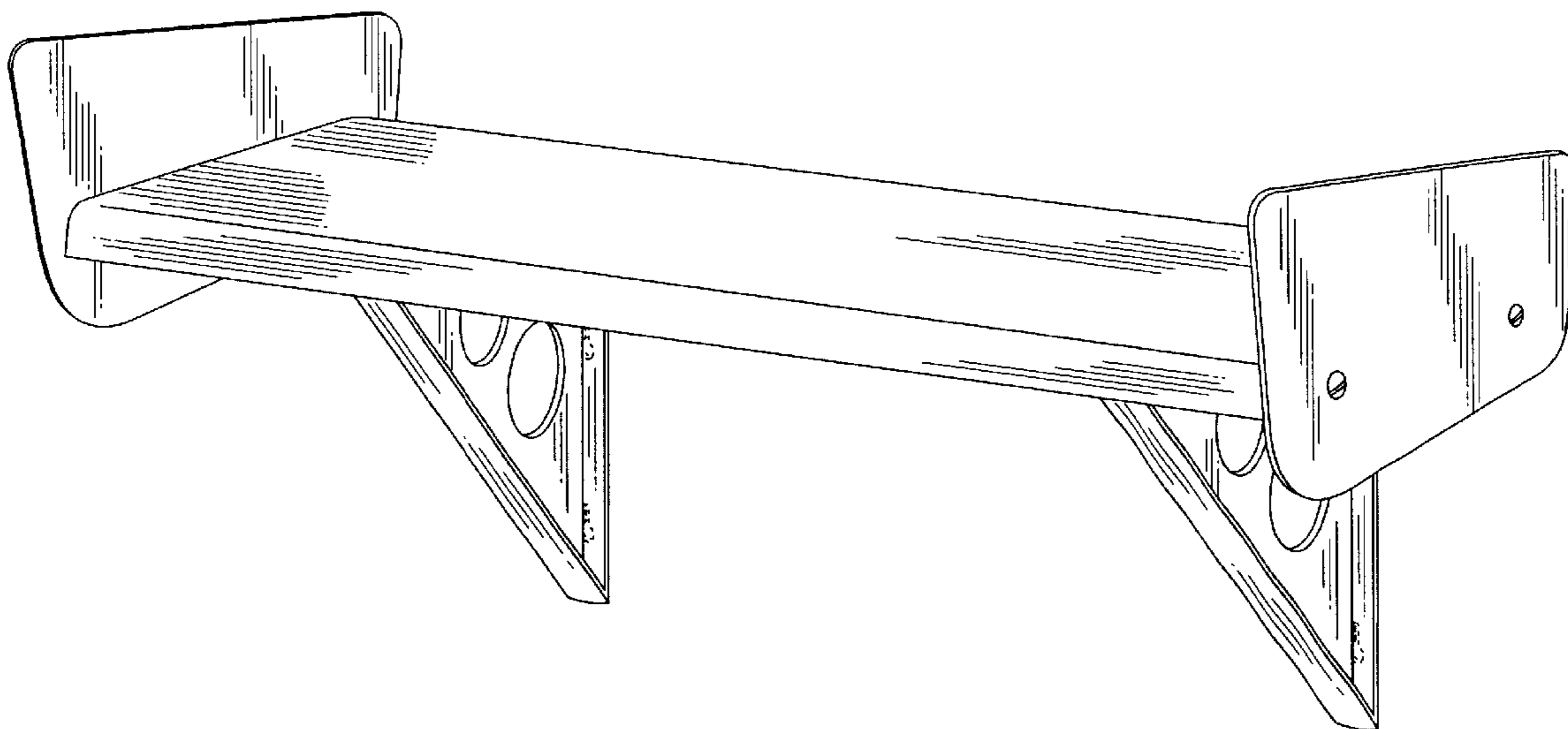
DESCRIPTION

FIG. 1 is a perspective view of a wing display shelf in accordance with one embodiment of the present invention; FIG. 2 is a top view of the wing display shelf of FIG. 1; FIG. 3 is a bottom view of the wing display shelf of FIG. 1; FIG. 4 is a front view of the wing display shelf of FIG. 1; FIG. 5 is a back view of the wing display shelf of FIG. 1; FIG. 6 is a side view of the wing display shelf of FIG. 1; FIG. 7 is a perspective view of a wing display shelf in accordance with another embodiment of the present invention;

FIG. 8 is a top view of the wing display shelf of FIG. 7; FIG. 9 is a bottom view of the wing display shelf of FIG. 7; FIG. 10 is a front view of the wing display shelf of FIG. 7; FIG. 11 is a back view of the wing display shelf of FIG. 7; and,

FIG. 12 is a side view of the wing display shelf of FIG. 7. It will be understood that the dashed lines presented in the drawings are for illustration only, and do not form a part of the claimed design.

1 Claim, 6 Drawing Sheets



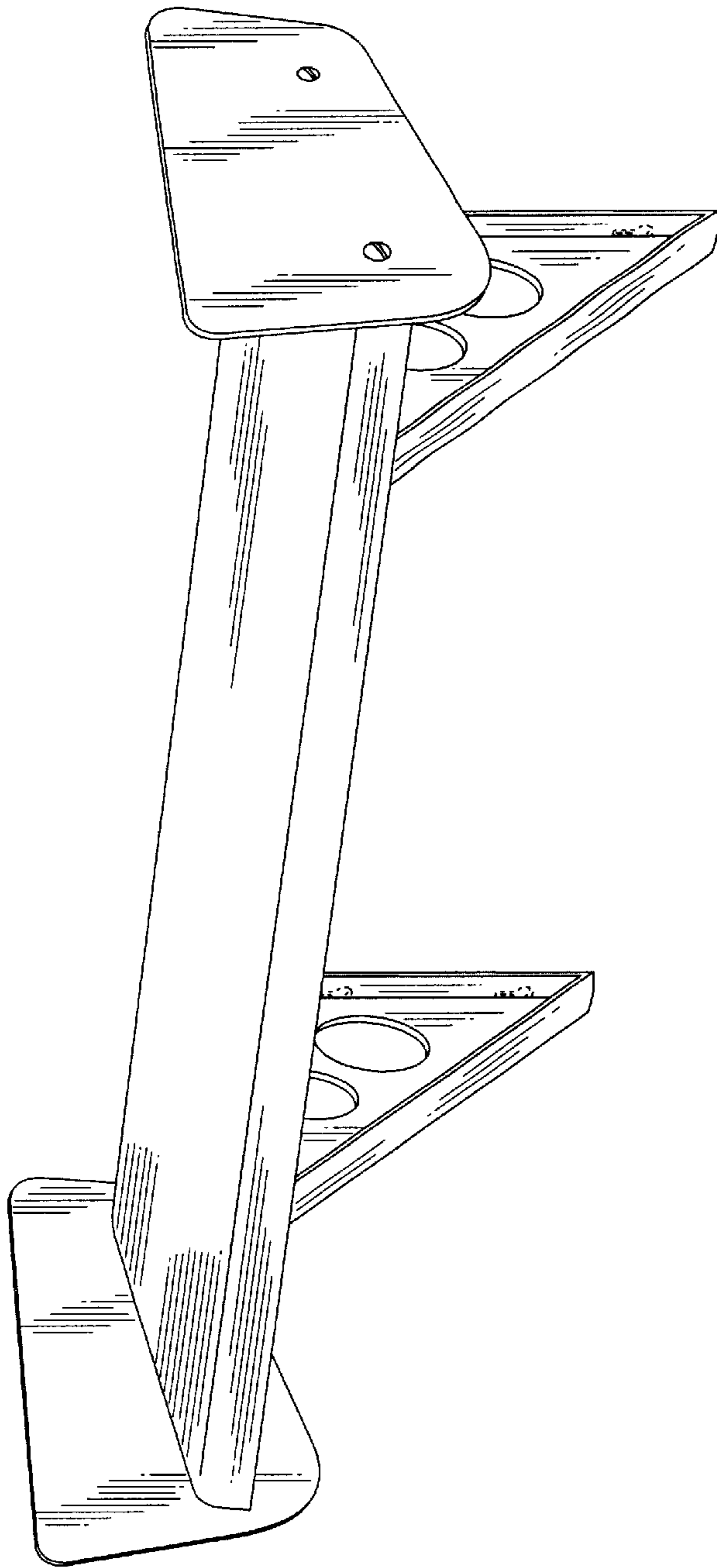


Figure 1

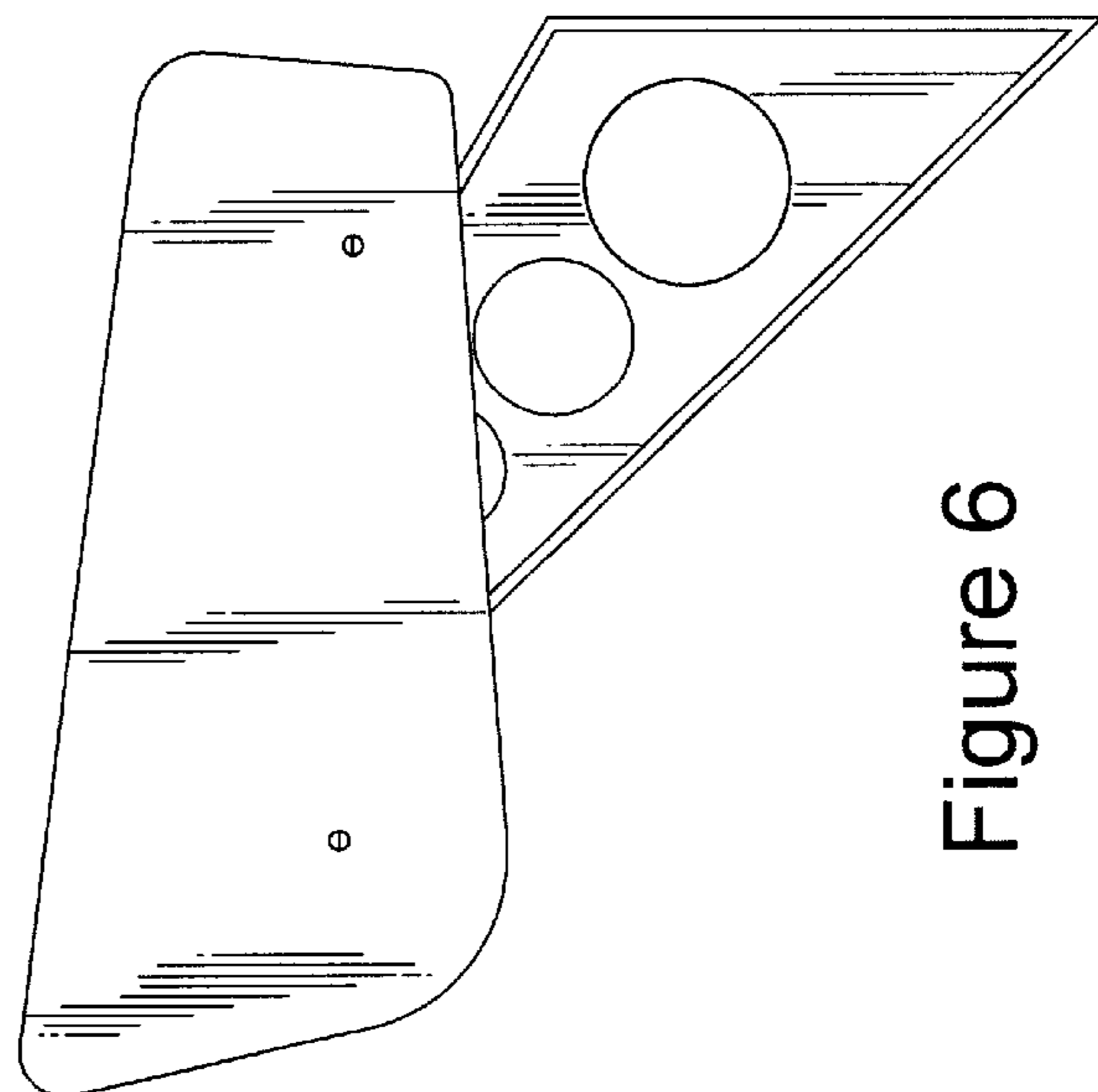


Figure 6

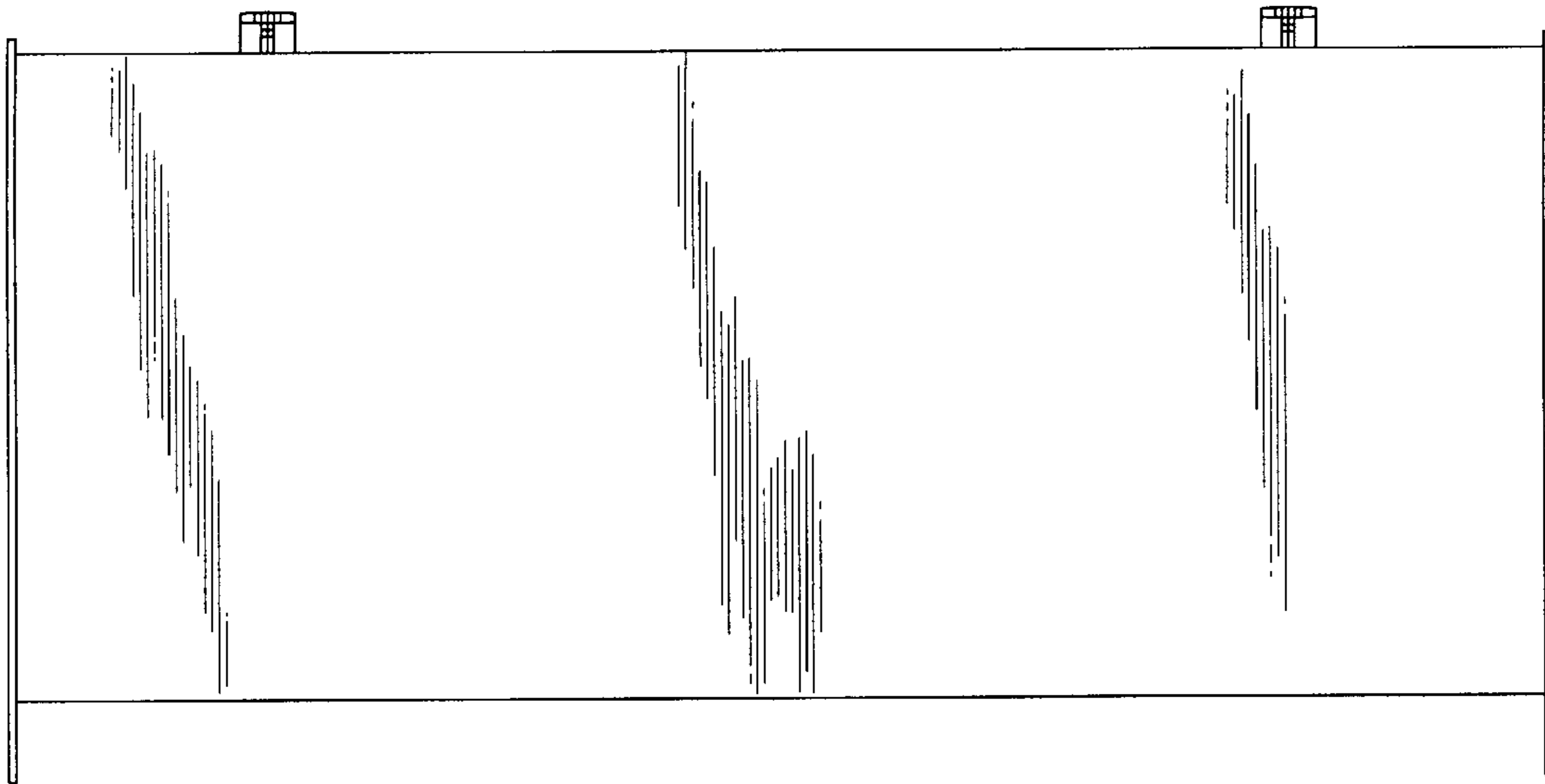


Figure 2

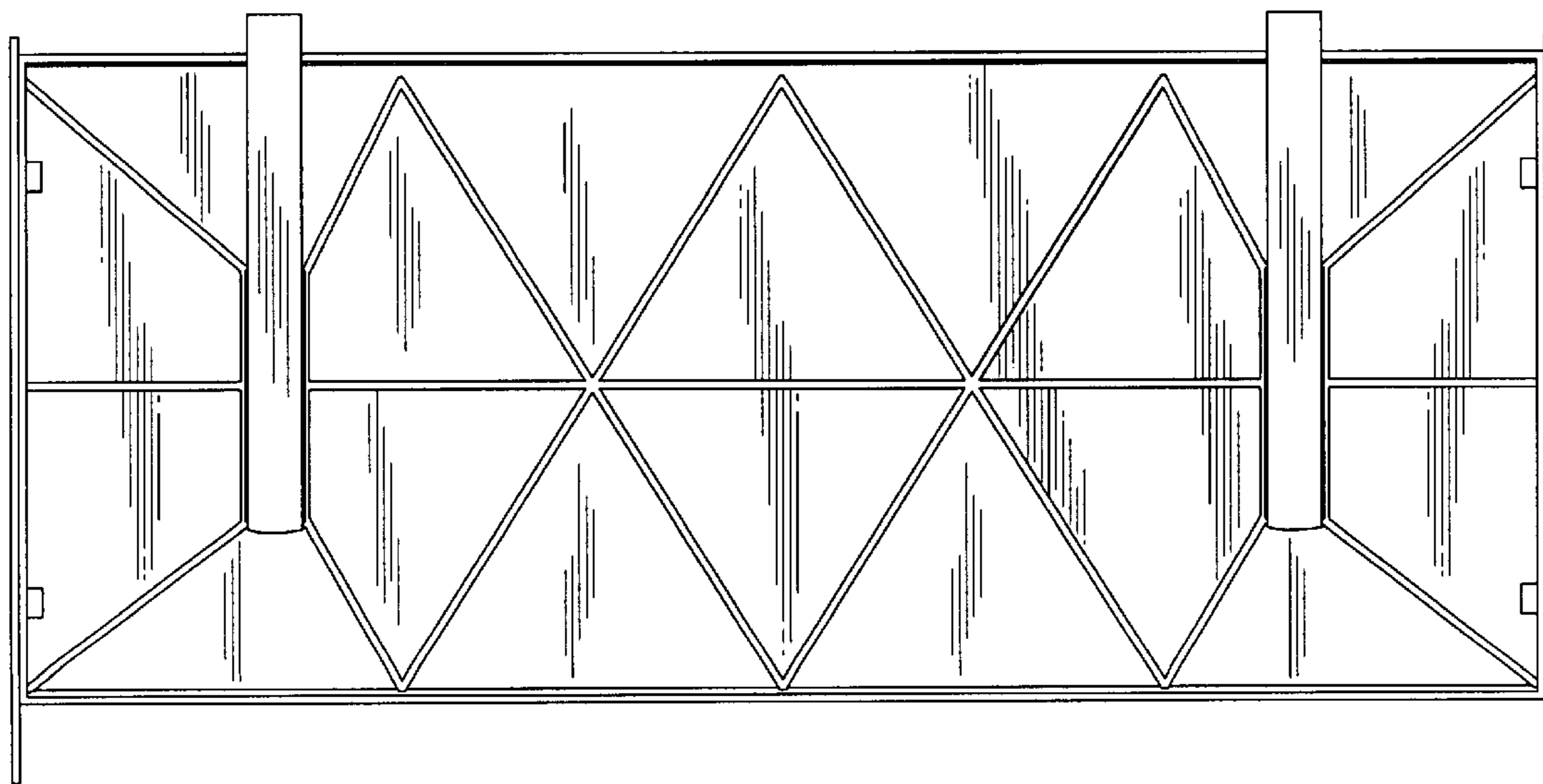


Figure 3

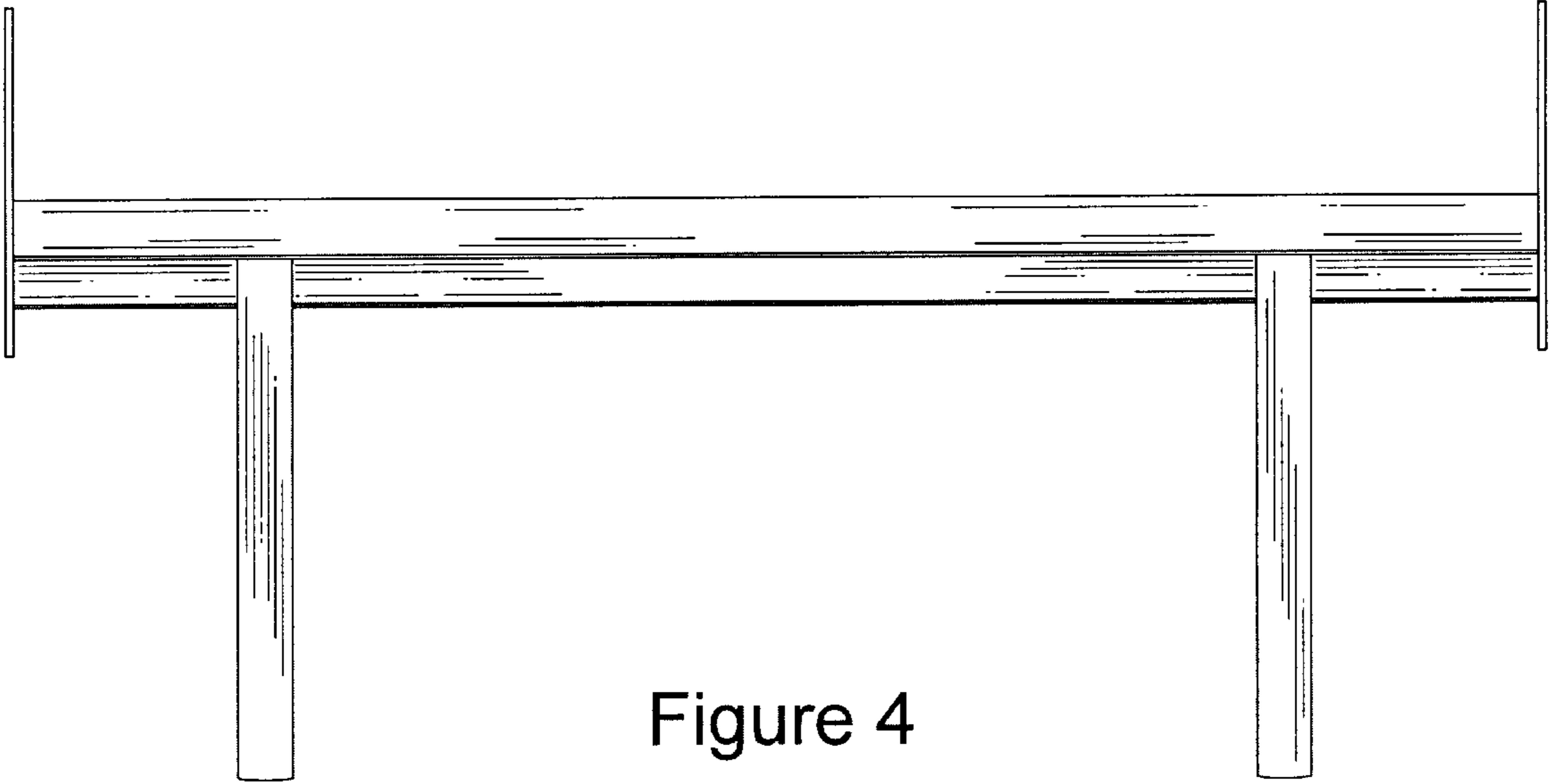


Figure 4



Figure 5

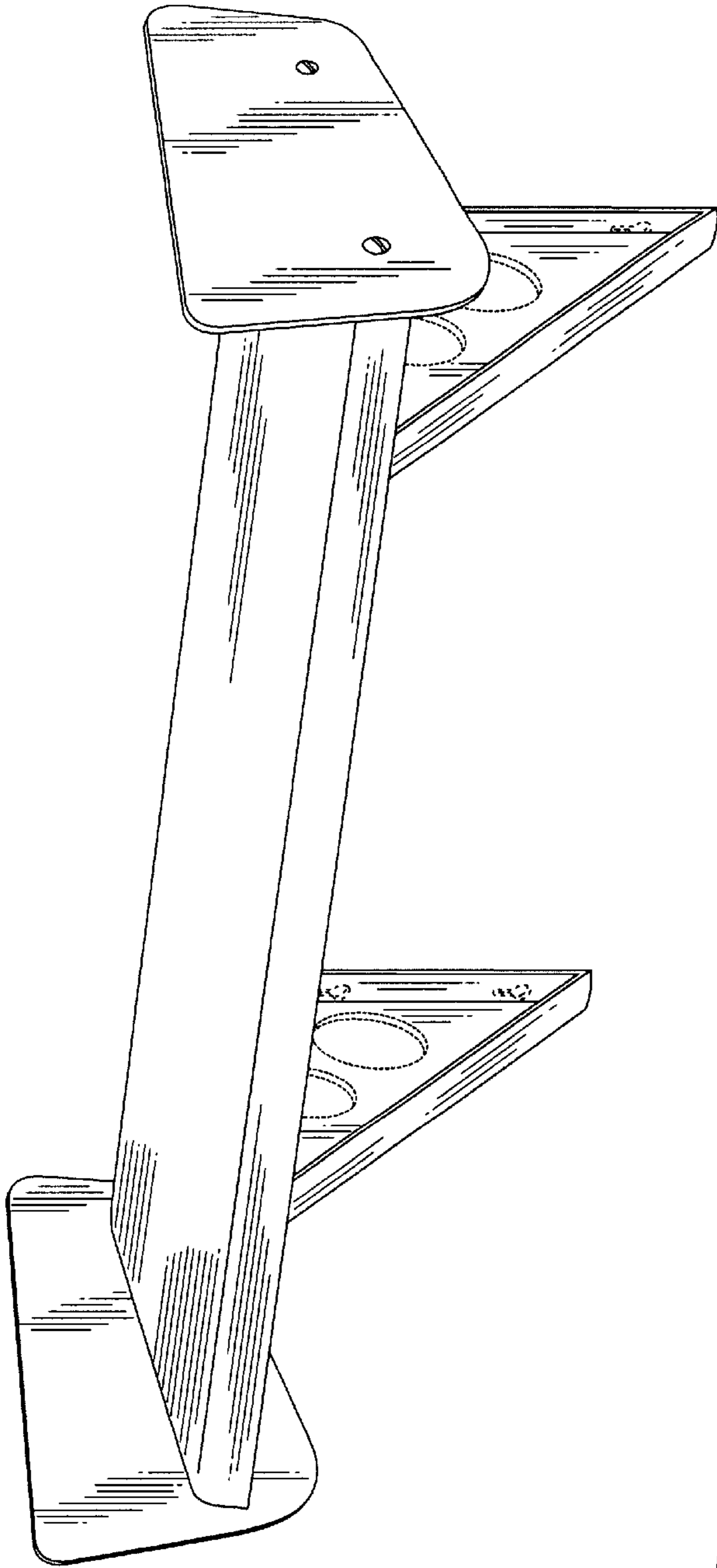


Figure 7

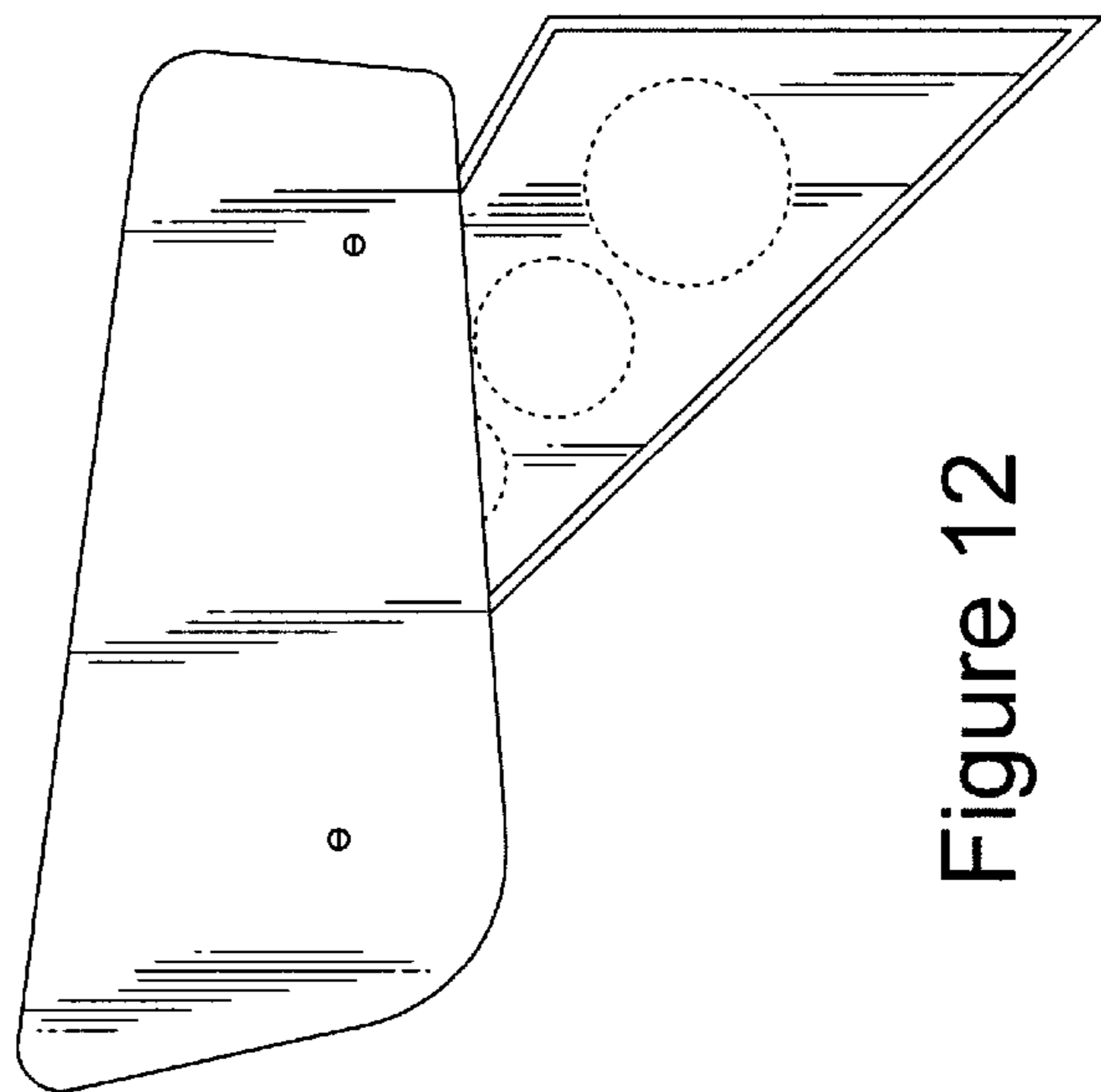


Figure 12

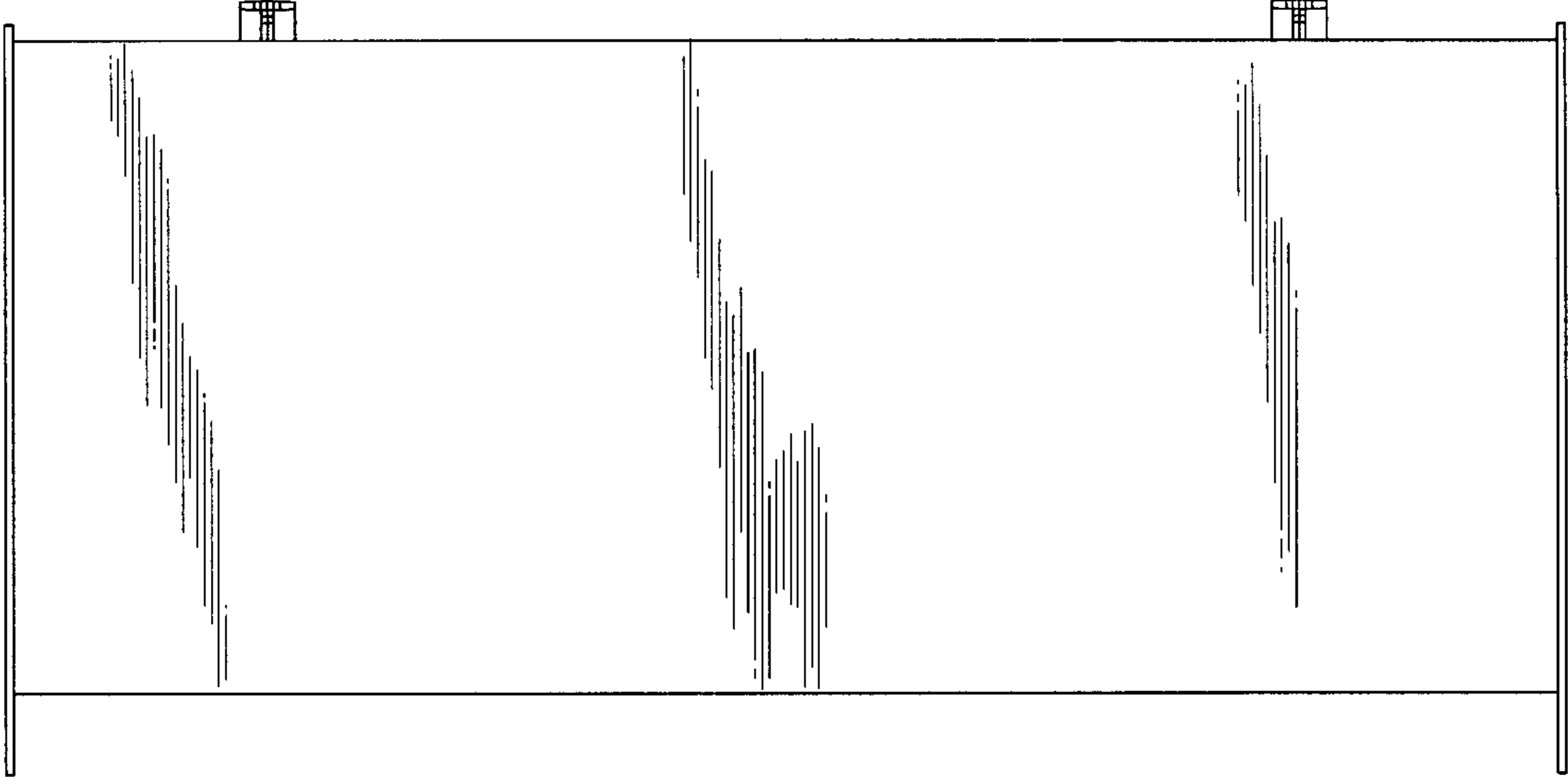


Figure 8

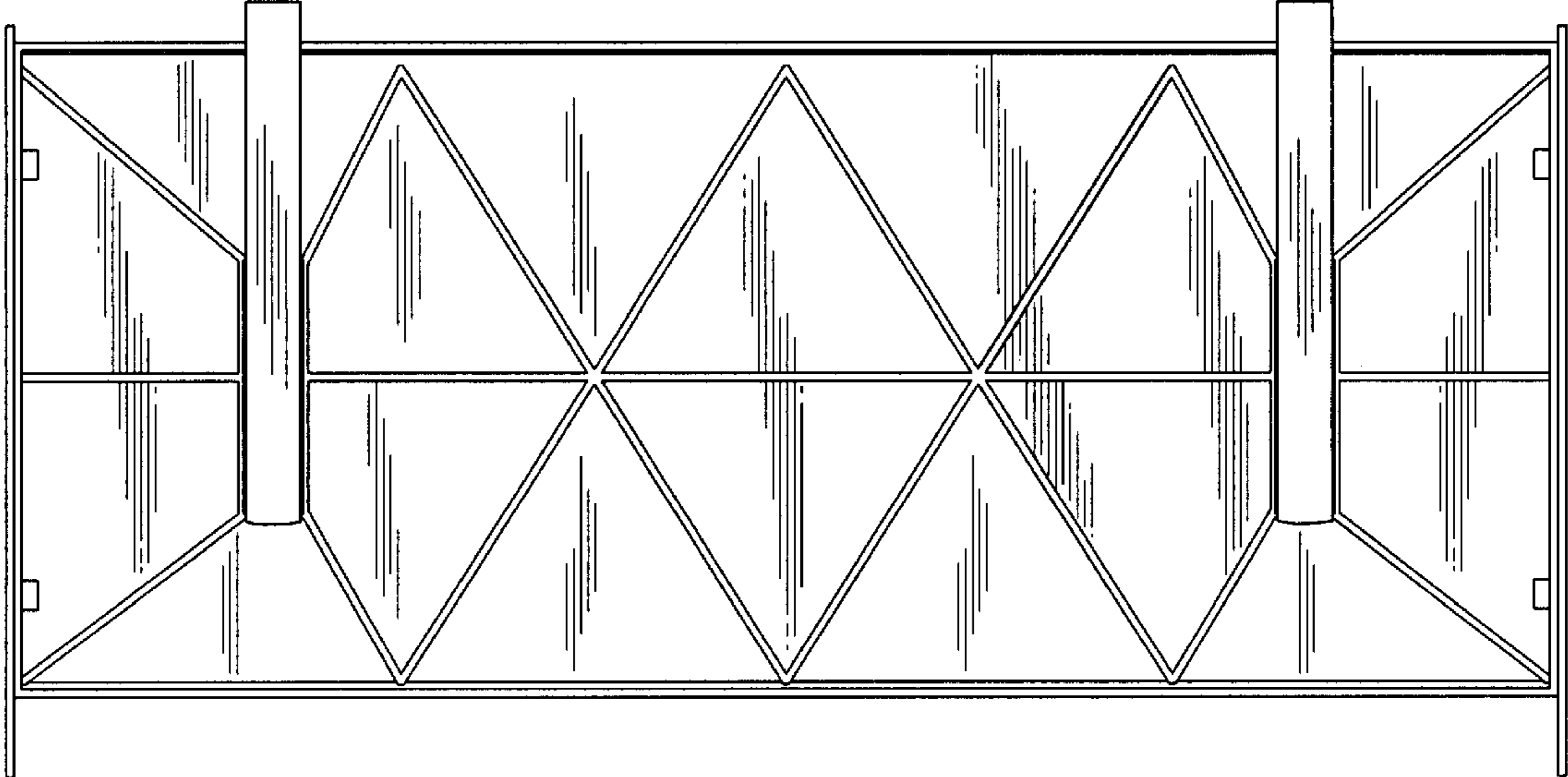


Figure 9

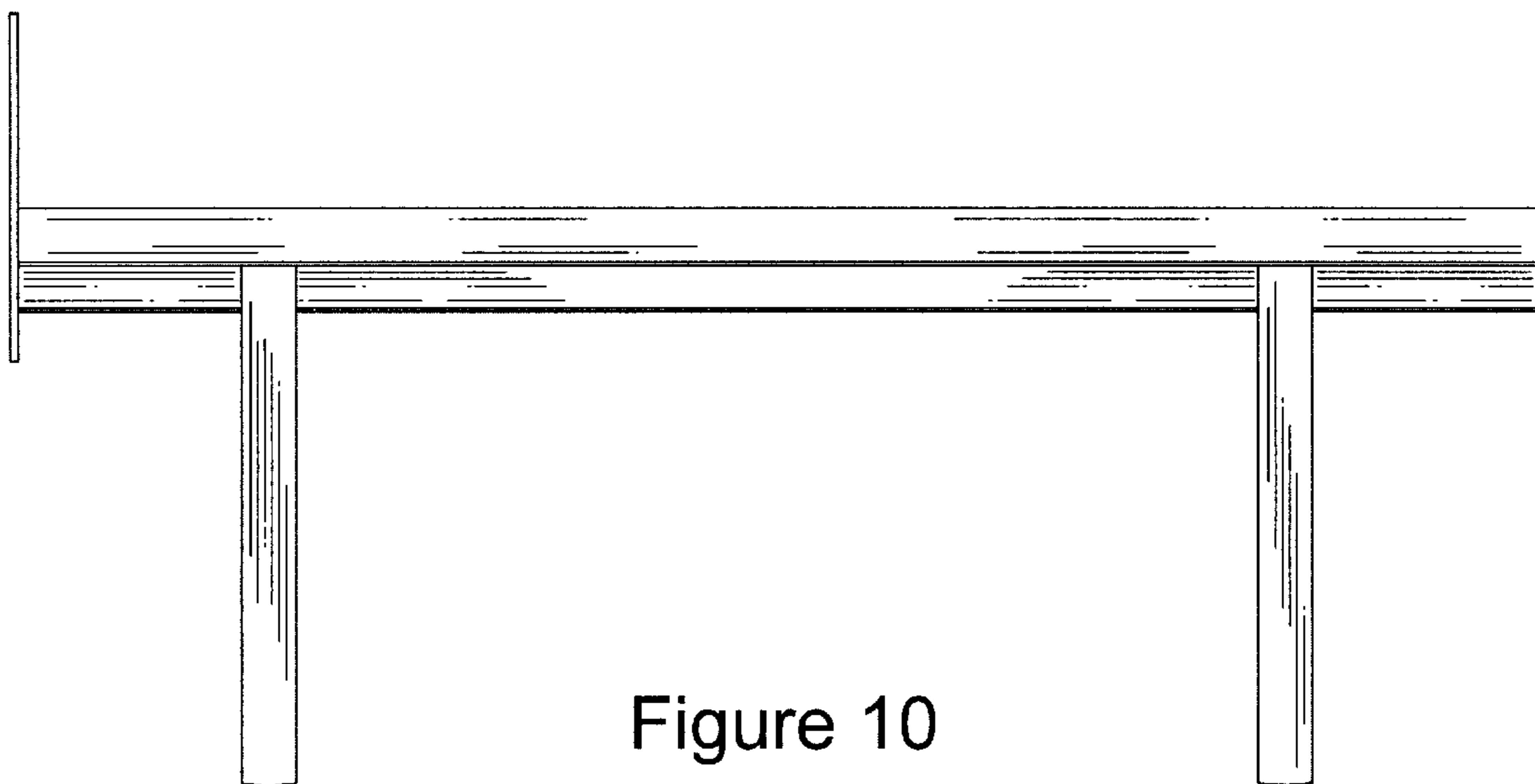


Figure 10



Figure 11