

US00D520794S

(12) **United States Design Patent**
Grover

(10) **Patent No.:** **US D520,794 S**

(45) **Date of Patent:** **** May 16, 2006**

(54) **DRAWER SUPPORT FOR A PEGBOARD**

D438,415 S * 3/2001 Pohl D6/567
6,702,128 B1 3/2004 Winig et al.
D500,225 S * 12/2004 Suero, Jr. D6/574

(76) Inventor: **Don G. Grover**, 10447 W. Fredrick
Garland Rd., West Milton, OH (US)
45383

* cited by examiner

(**) Term: **14 Years**

Primary Examiner—Brian N Vinson
(74) *Attorney, Agent, or Firm*—Jacox, Meckstroth &
Jenkins

(21) Appl. No.: **29/222,334**

(22) Filed: **Jan. 31, 2005**

(57) **CLAIM**

(51) **LOC (8) Cl.** **06-04**

The ornamental design of a drawer support for a pegboard,
as shown and described.

(52) **U.S. Cl.** **D6/567**

(58) **Field of Classification Search** D6/553,
D6/567, 572, 574; 108/28–29; 248/235, 309.1;
211/13.1, 42, 71.01, 86.01, 88.01, 88.03,
211/90.01, 90.03, 126.1, 133.5, 134, 153,
211/182

DESCRIPTION

See application file for complete search history.

FIG. 1 is a perspective view of a drawer support for a
pegboard showing my new design;
FIG. 2 is a top view thereof;
FIG. 3 is a side view thereof, the opposite side view being
a mirror image;
FIG. 4 is a bottom view thereof;
FIG. 5 is a rear view thereof; and,
FIG. 6 is a front view thereof.

(56) **References Cited**

U.S. PATENT DOCUMENTS

4,312,086 A 1/1982 Bianco
D393,557 S * 4/1998 Guccione D6/553

1 Claim, 2 Drawing Sheets

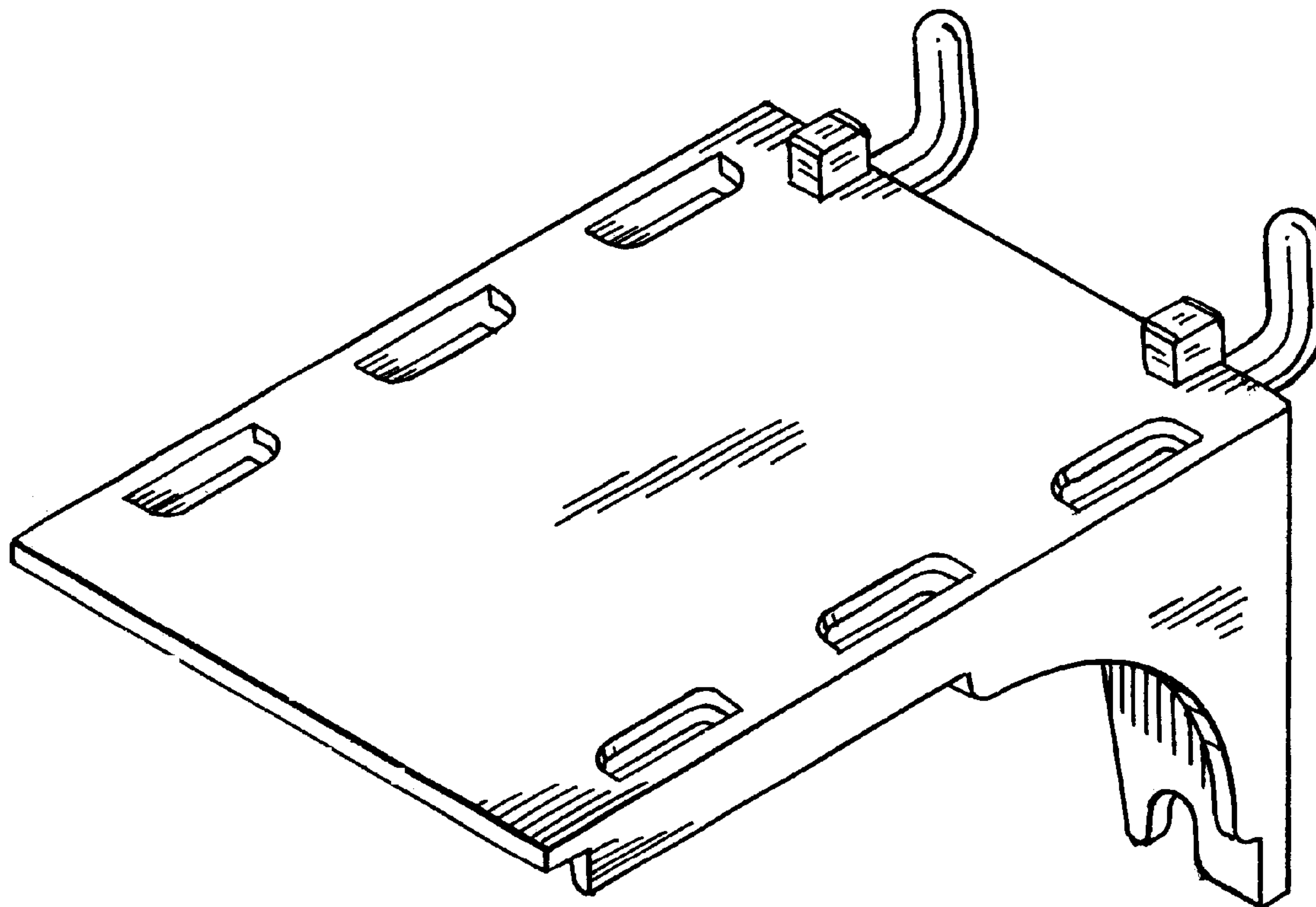


FIG-1

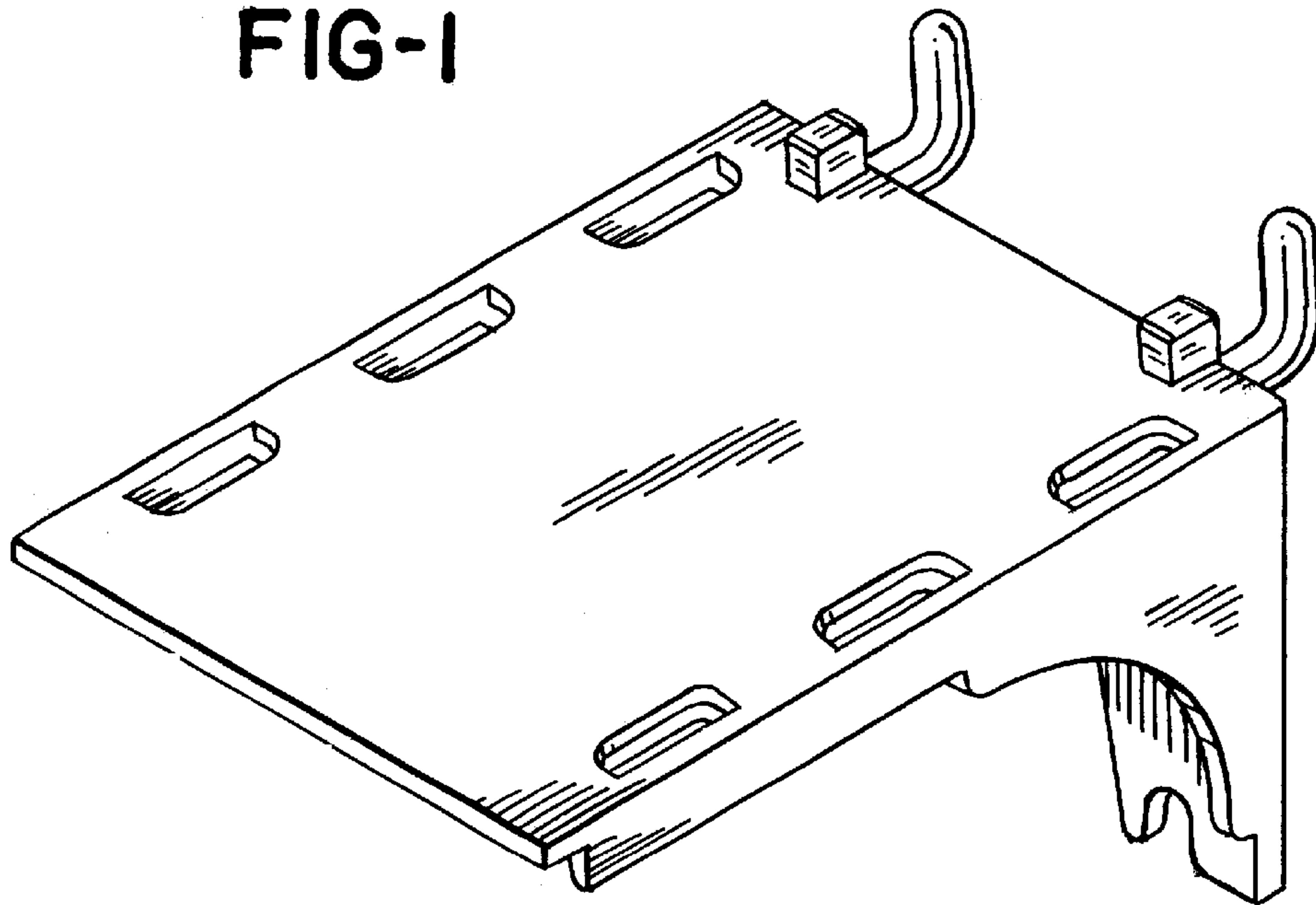


FIG-2

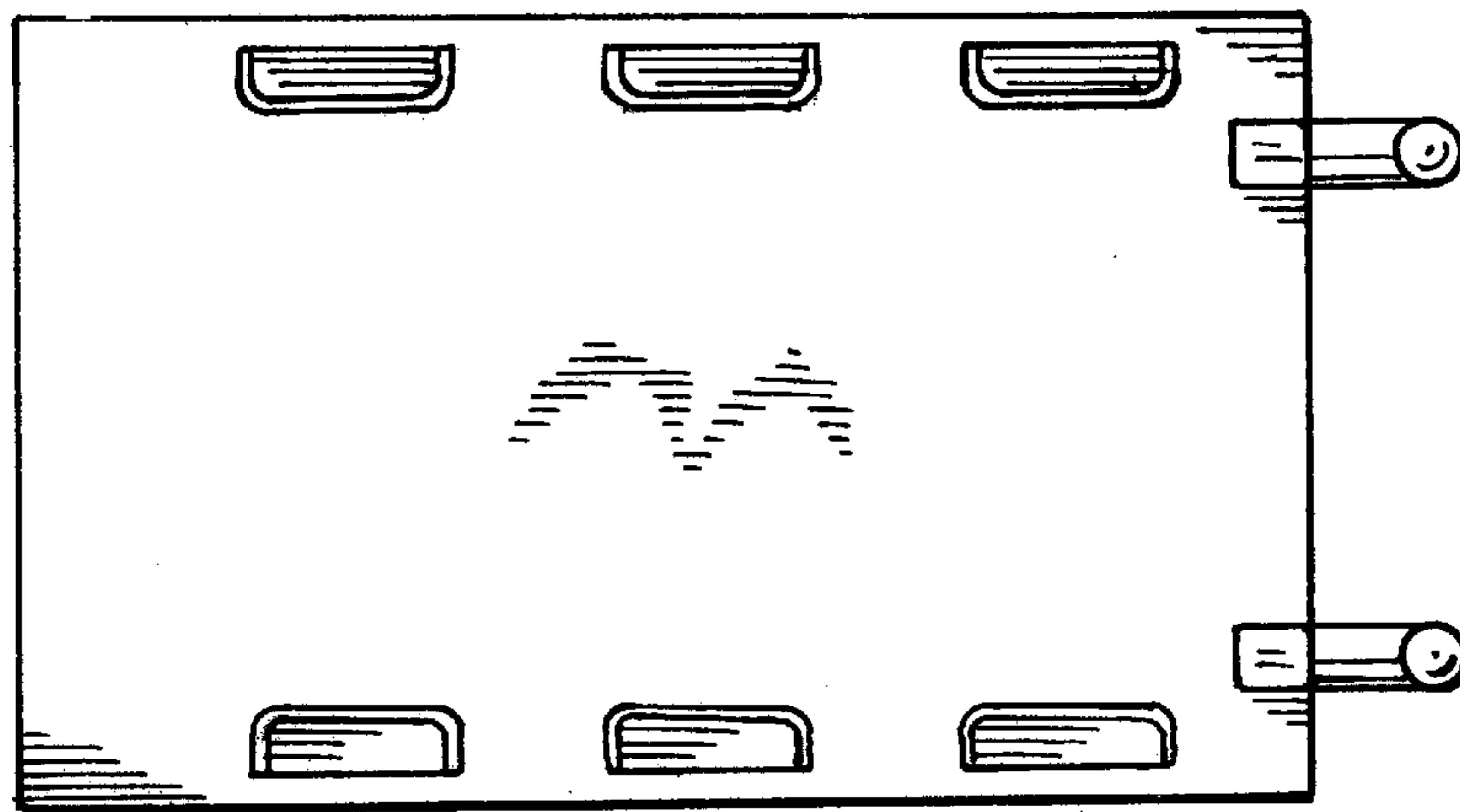


FIG-3

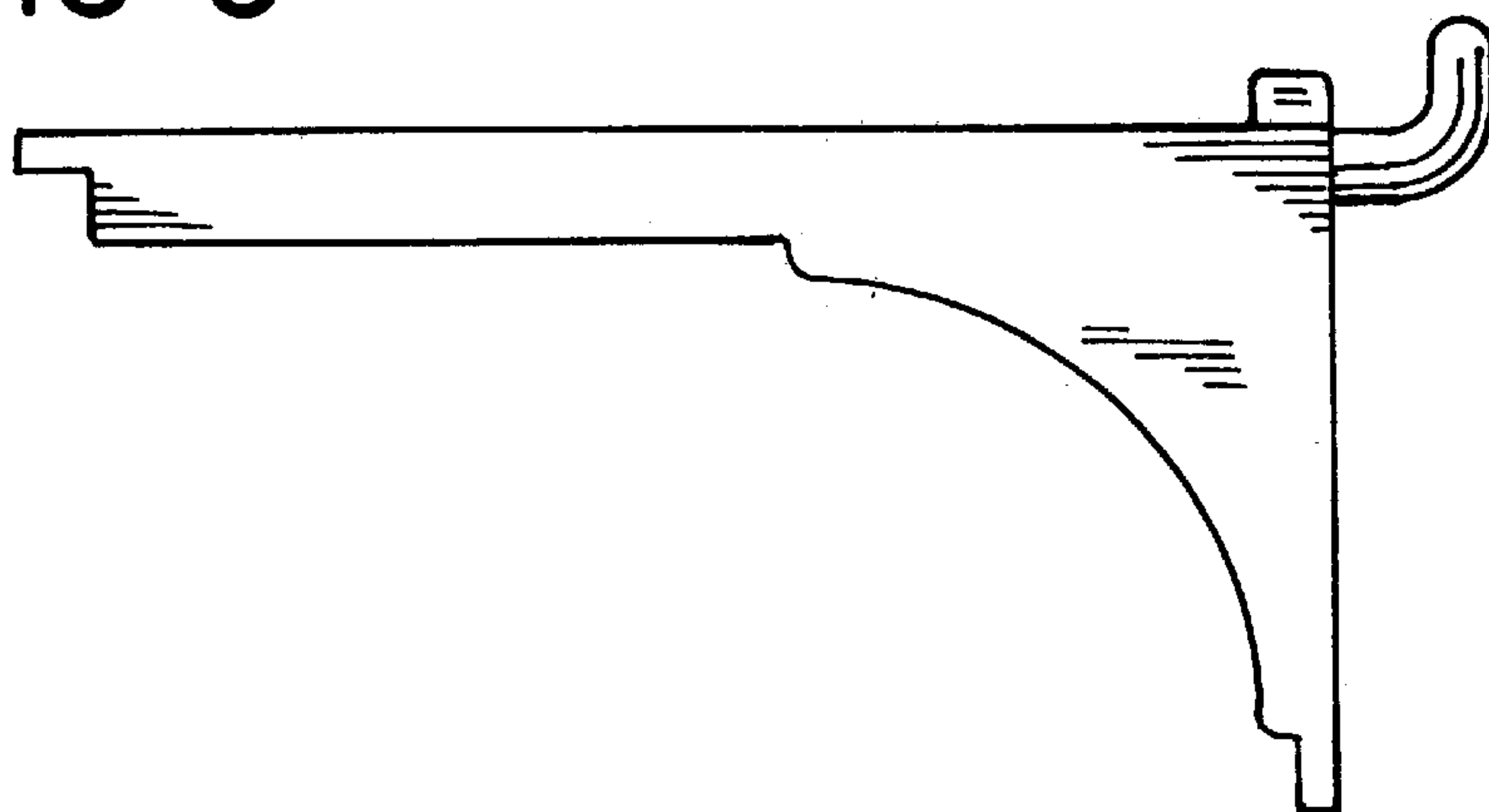


FIG-4

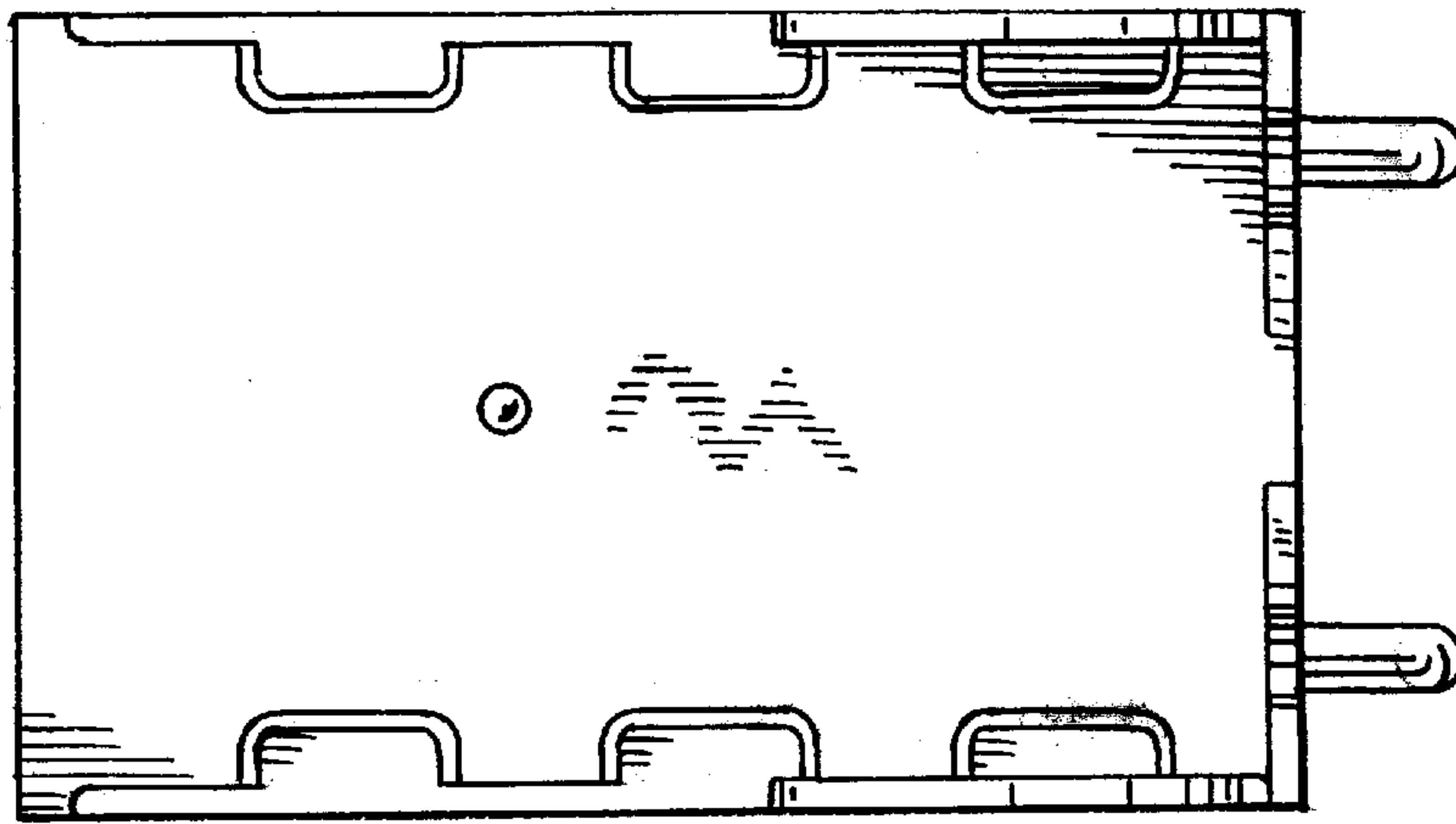


FIG-5

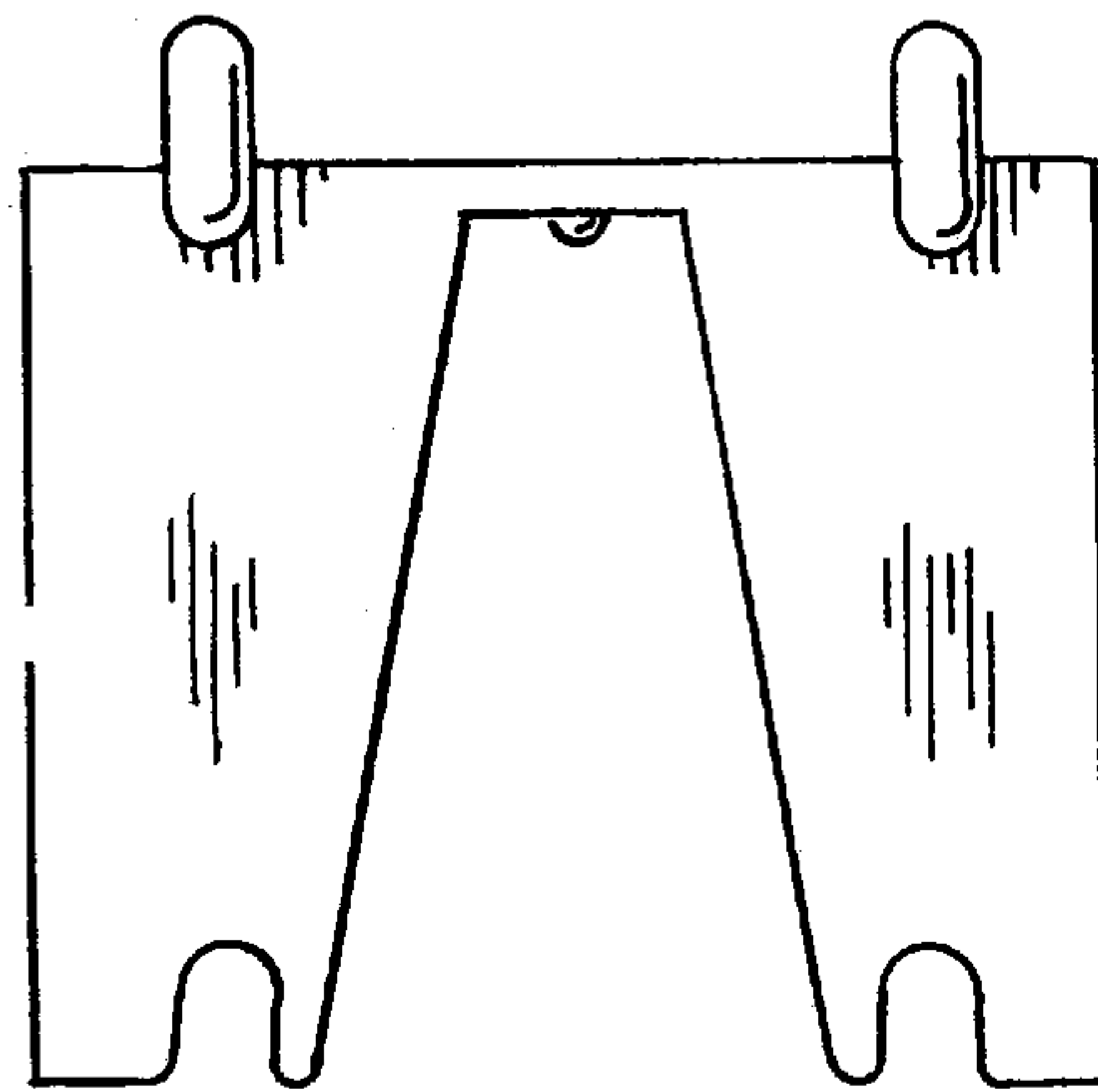


FIG-6

