



US00D520791S

(12) **United States Design Patent**
Solowiej

(10) **Patent No.:** **US D520,791 S**

(45) **Date of Patent:** **** May 16, 2006**

(54) **BATH ACCESSORY POST**

(75) Inventor: **Leszek Solowiej**, Montville, NJ (US)

(73) Assignee: **Bath Unlimited, Inc.**, Randolph, NJ (US)

(**) Term: **14 Years**

(21) Appl. No.: **29/228,801**

(22) Filed: **Apr. 28, 2005**

(51) **LOC (8) Cl.** **06-04**

(52) **U.S. Cl.** **D6/550**

(58) **Field of Classification Search** D6/546-550,
D6/518-523; D8/300, 303, 315-321, 349,
D8/354, 363, 373, 380; 108/28-29; 211/13.1,
211/16, 60.1, 100, 86.01, 87.01, 88.01, 88.04,
211/105.1-105.2, 123, 182, 181.1; 248/175,
248/176.1, 251, 302, 309.1; 16/110.1, 412,
16/415; 242/570, 590, 595-598

See application file for complete search history.

(56) **References Cited**

U.S. PATENT DOCUMENTS

D452,400 S * 12/2001 Chen D6/550

D466,348 S * 12/2002 Yen D6/550

D466,349 S * 12/2002 Tai D6/550

D466,737 S * 12/2002 Tai D6/550

D466,745 S * 12/2002 Chou D6/550

D466,746 S * 12/2002 Chen D6/550

D469,644 S * 2/2003 Yen D6/550

D477,482 S * 7/2003 Green D6/550

D477,486 S * 7/2003 Green D6/550

D504,042 S * 4/2005 Wu D6/550

* cited by examiner

Primary Examiner—Brian N Vinson

(74) *Attorney, Agent, or Firm*—Edgar A. Zarins; Lloyd D. Doigan

(57) **CLAIM**

The ornamental design for a bath accessory post, as shown and described.

DESCRIPTION

FIG. 1 is a perspective view of a bath accessory post showing my new design;

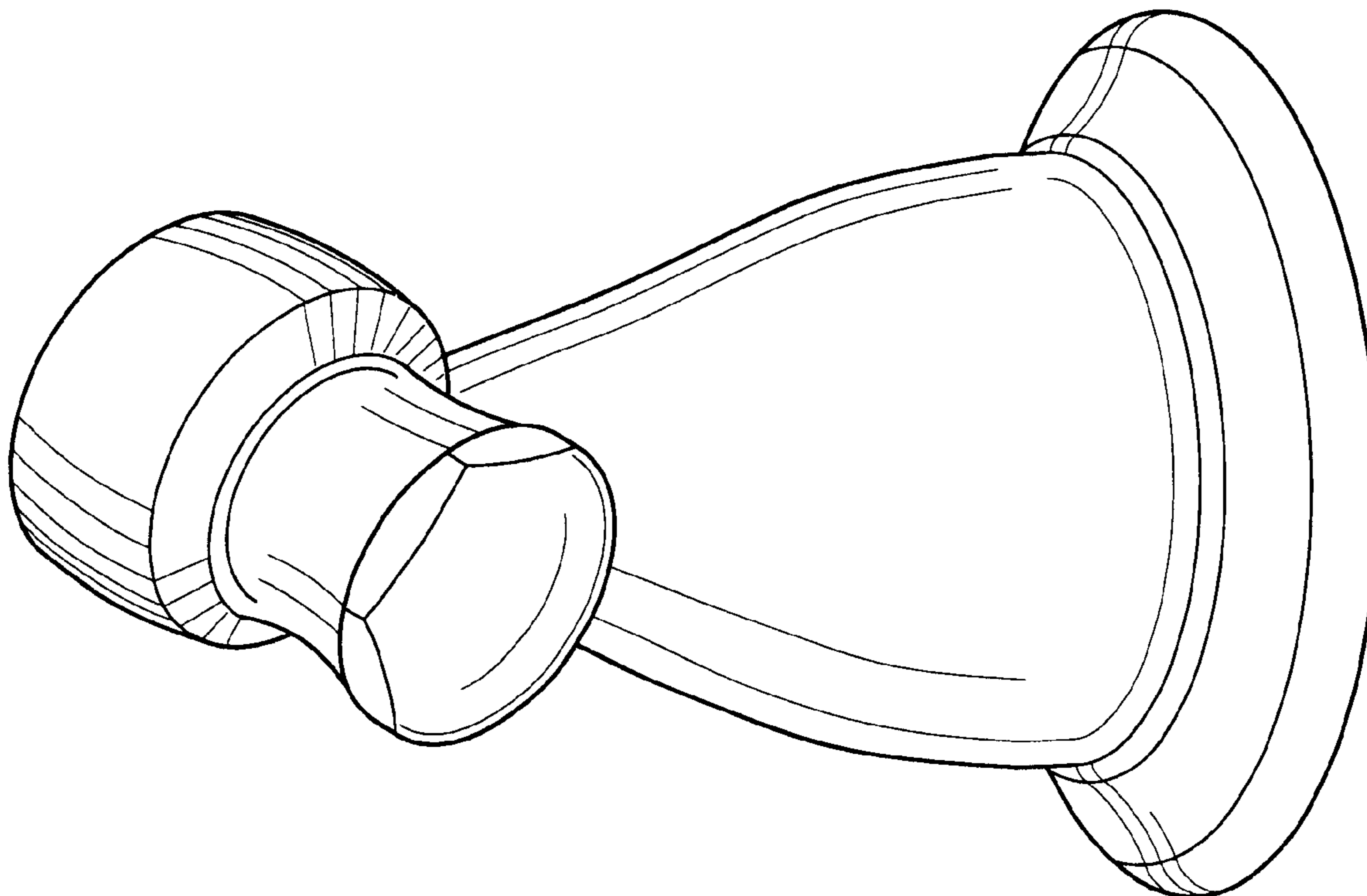
FIG. 2 is a bottom plan view thereof, the opposite side being a mirror image of the side shown;

FIG. 3 is a left side view thereof;

FIG. 4 is a right side view thereof; and,

FIG. 5 is a front elevational view thereof.

1 Claim, 2 Drawing Sheets



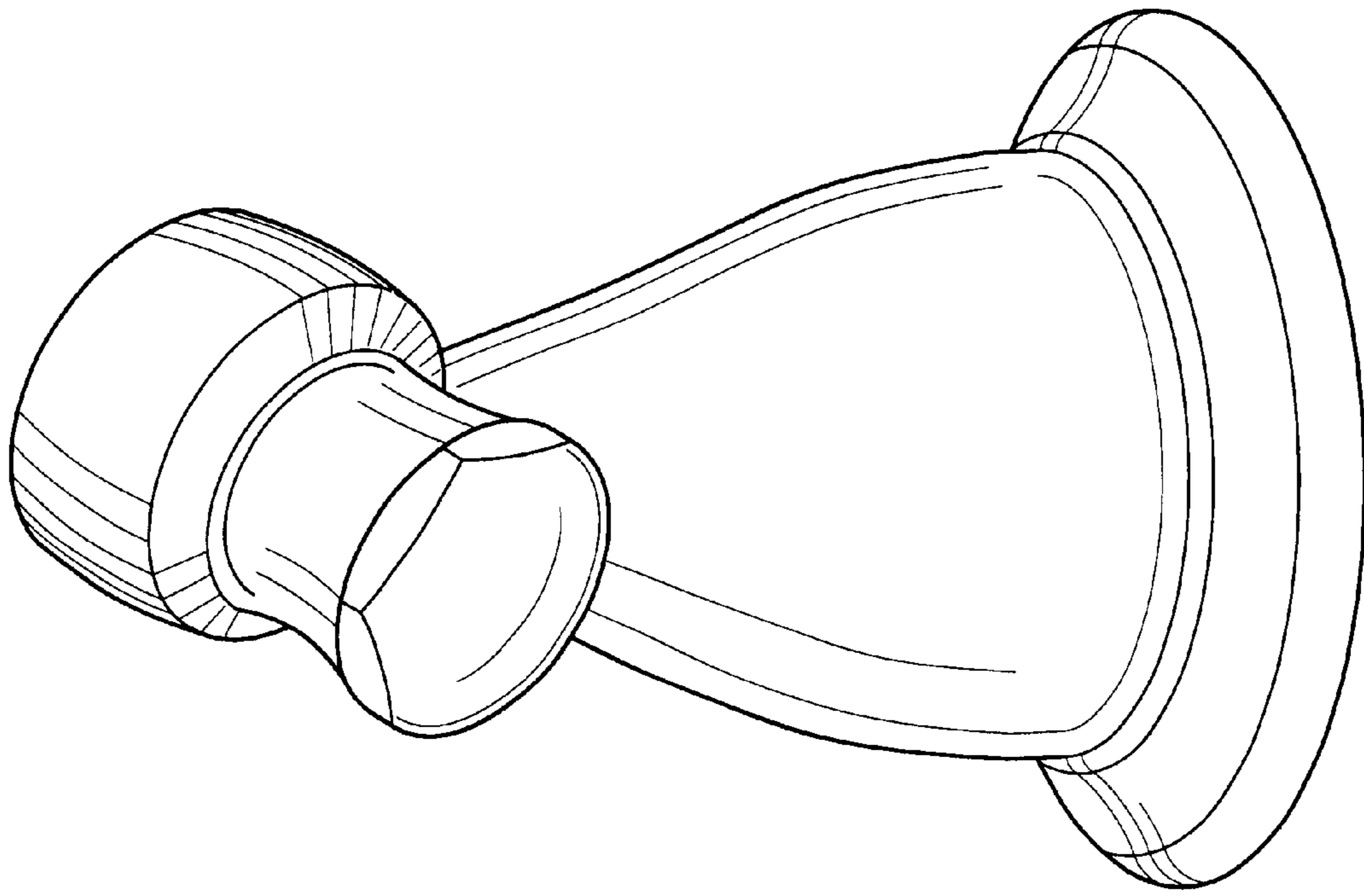


Fig-1

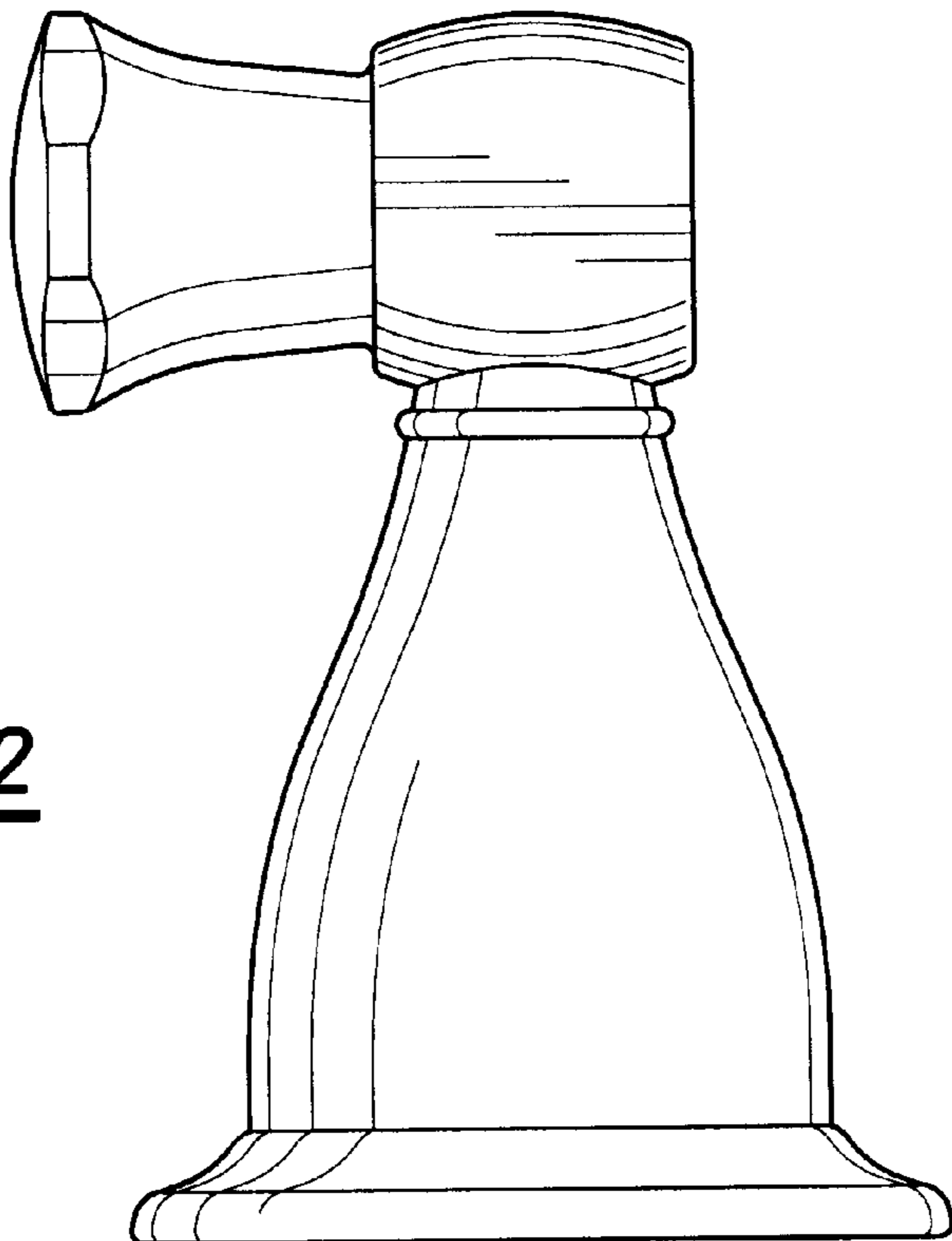


Fig-2

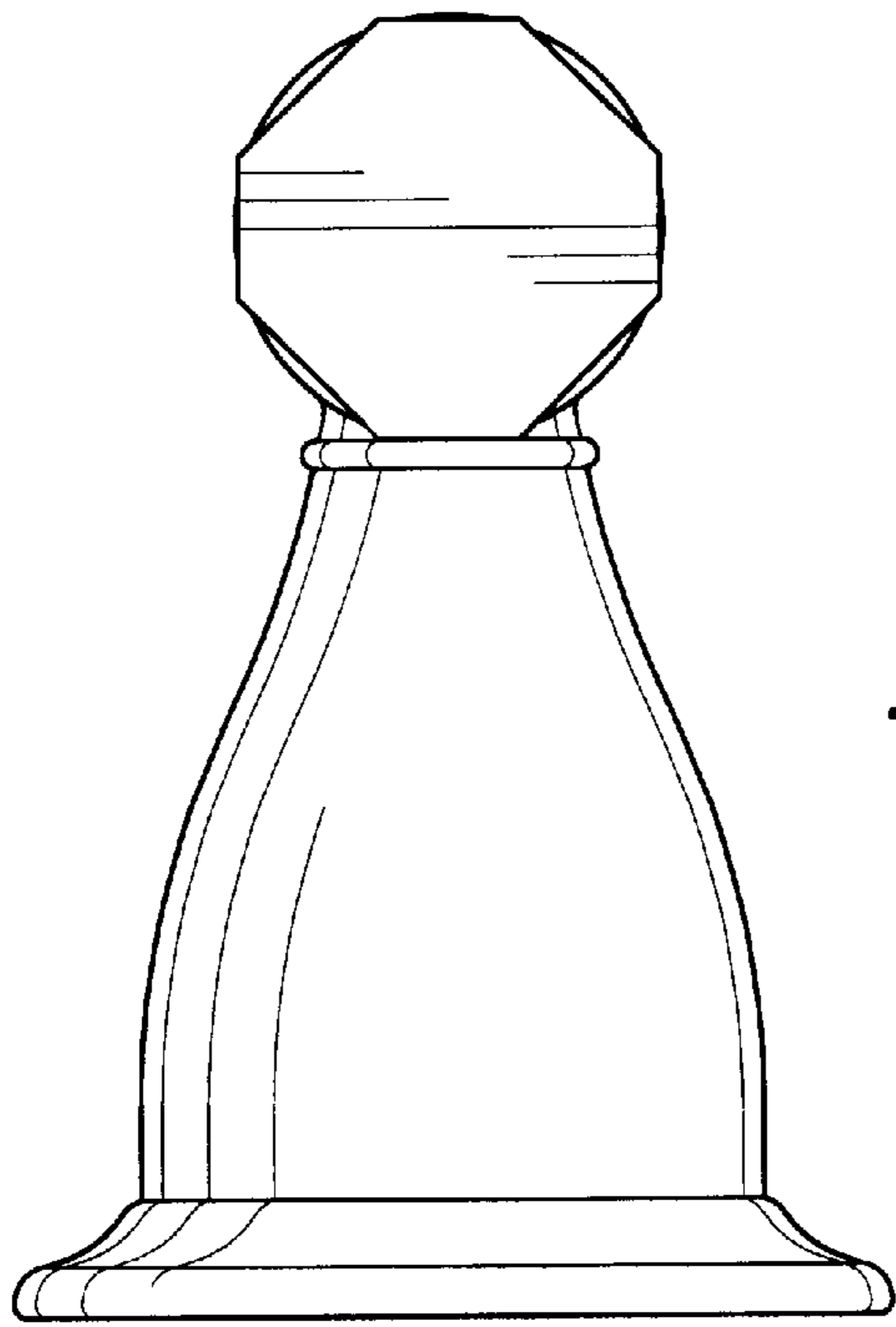


Fig-3

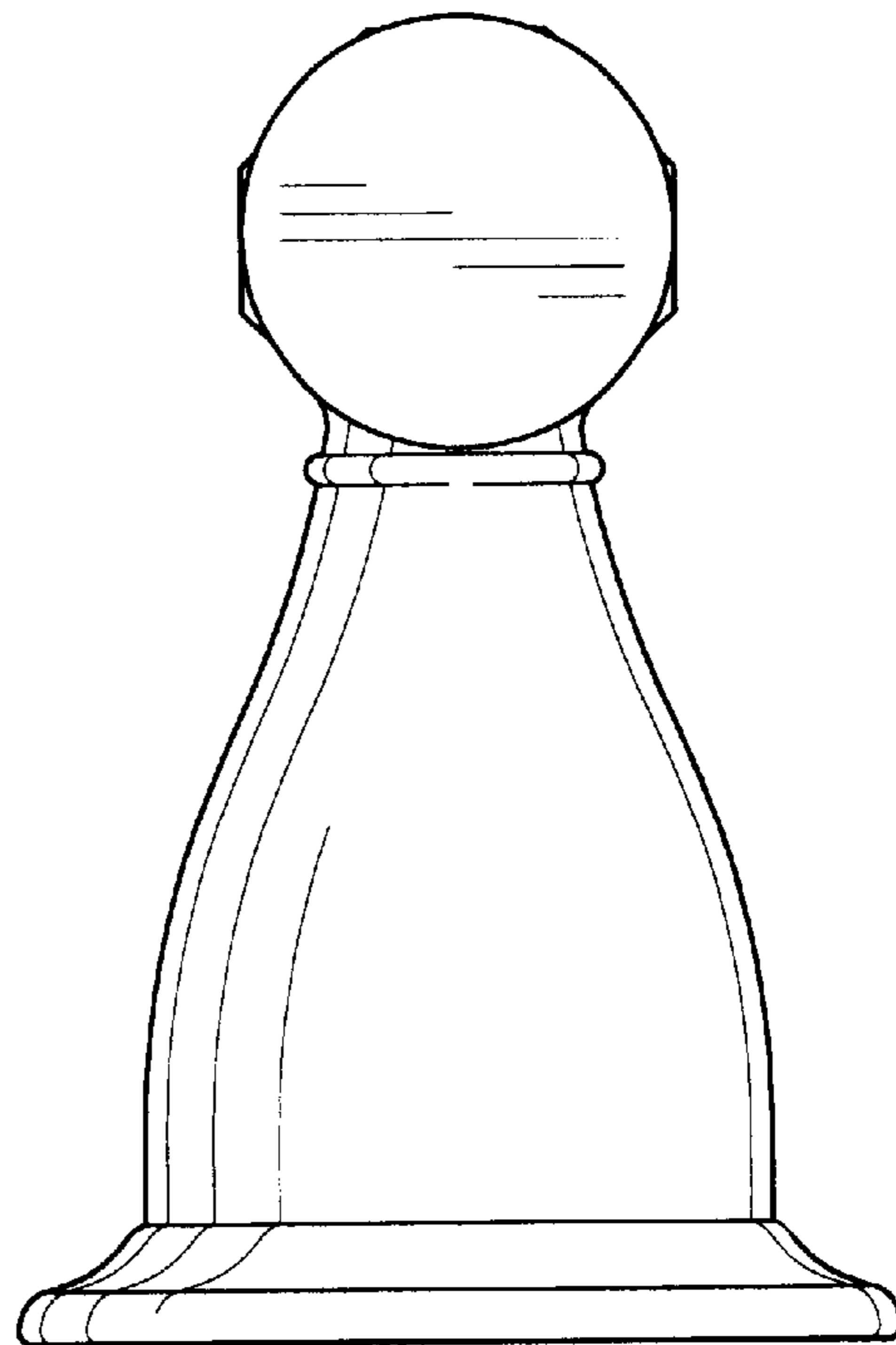


Fig-4

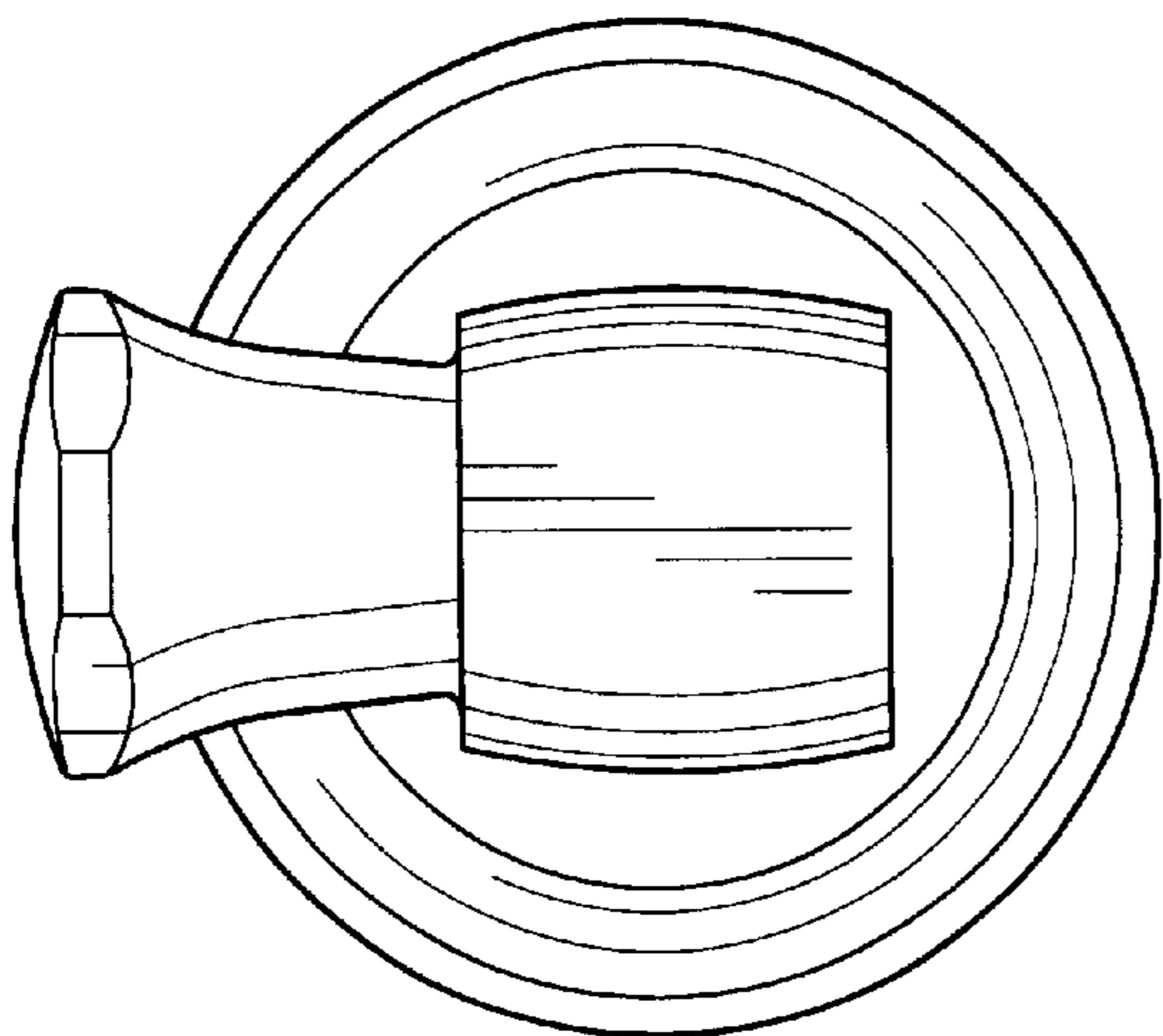


Fig-5