

US00D520788S

(12) **United States Design Patent**
Hoernig

(10) **Patent No.:** **US D520,788 S**

(45) **Date of Patent:** **** May 16, 2006**

(54) **TOILET PAPER HOLDER**

(75) Inventor: **Victor Hoernig**, Lowell, IN (US)

(73) Assignee: **Brasstech, Inc.**, Santa Ana, CA (US)

(**) Term: **14 Years**

(21) Appl. No.: **29/224,588**

(22) Filed: **Mar. 3, 2005**

(51) **LOC (8) Cl.** **06-04**

(52) **U.S. Cl.** **D6/546**

(58) **Field of Classification Search** D6/546-550,
D6/518-523; D8/300, 303, 315, 321, 349,
D8/354, 363, 373, 380; 108/28-29; 248/175,
248/176.1, 251, 302, 309.1; 16/110.1, 412,
16/415; 242/570, 590, 595-598; 211/13.1,
211/16, 60.1, 100, 86.01, 87.01, 88.01, 88.04,
211/105.1, 105.2, 123, 182, 181.1
See application file for complete search history.

(56) **References Cited**

U.S. PATENT DOCUMENTS

2,632,605	A	*	3/1953	Lee	242/597.3
D218,331	S	*	8/1970	Ulf	D6/523
4,836,462	A	*	6/1989	Bruss	242/598.2
D424,353	S	*	5/2000	Duggan	D6/550
D450,503	S	*	11/2001	Gottwald	D6/523

D455,587	S	*	4/2002	Ou-Young	D6/523
D465,365	S	*	11/2002	Moore	D6/523
6,554,222	B1	*	4/2003	Lindow, Sr.	242/598.5
D477,167	S	*	7/2003	Hoernig	D6/523
D477,481	S	*	7/2003	Ouano	D6/523
D477,731	S	*	7/2003	Hoernig	D6/523

* cited by examiner

Primary Examiner—Brian N Vinson

(74) *Attorney, Agent, or Firm*—Kwadjo Adusei-Poku;
Lloyd D. Doigan

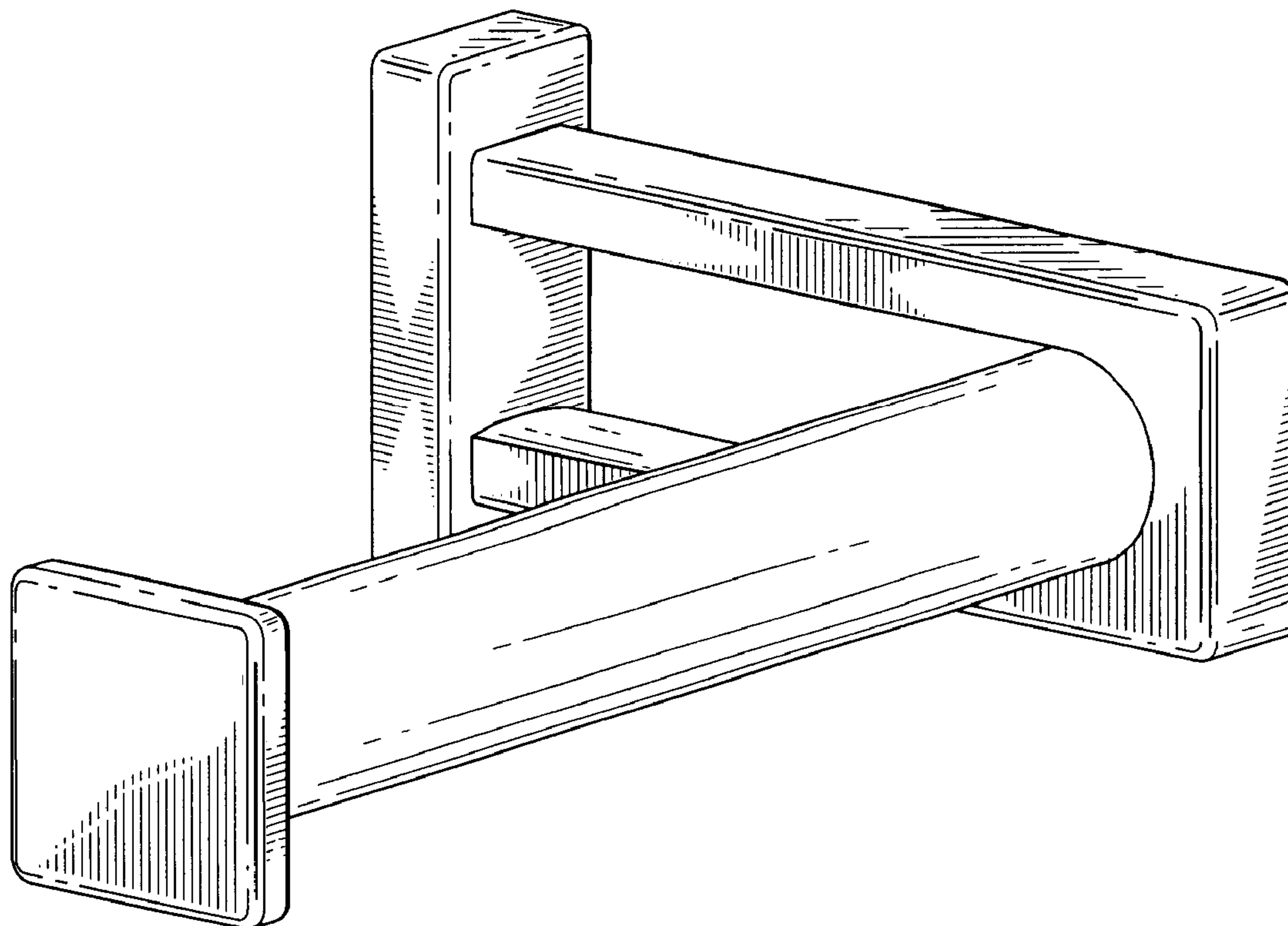
(57) **CLAIM**

The ornamental design for a toilet paper holder, as shown and described.

DESCRIPTION

FIG. 1 is a front perspective view of a toilet paper holder showing my design;
FIG. 2 is a top plan view thereof;
FIG. 3 is a bottom plan view thereof;
FIG. 4 is a front elevational view thereof;
FIG. 5 is a rear elevational view thereof;
FIG. 6 is a left side elevational view thereof; and,
FIG. 7 is a right side elevational view thereof.
The broken lines in the Figures are for illustrative purposes only and form no part of the claimed design.

1 Claim, 5 Drawing Sheets



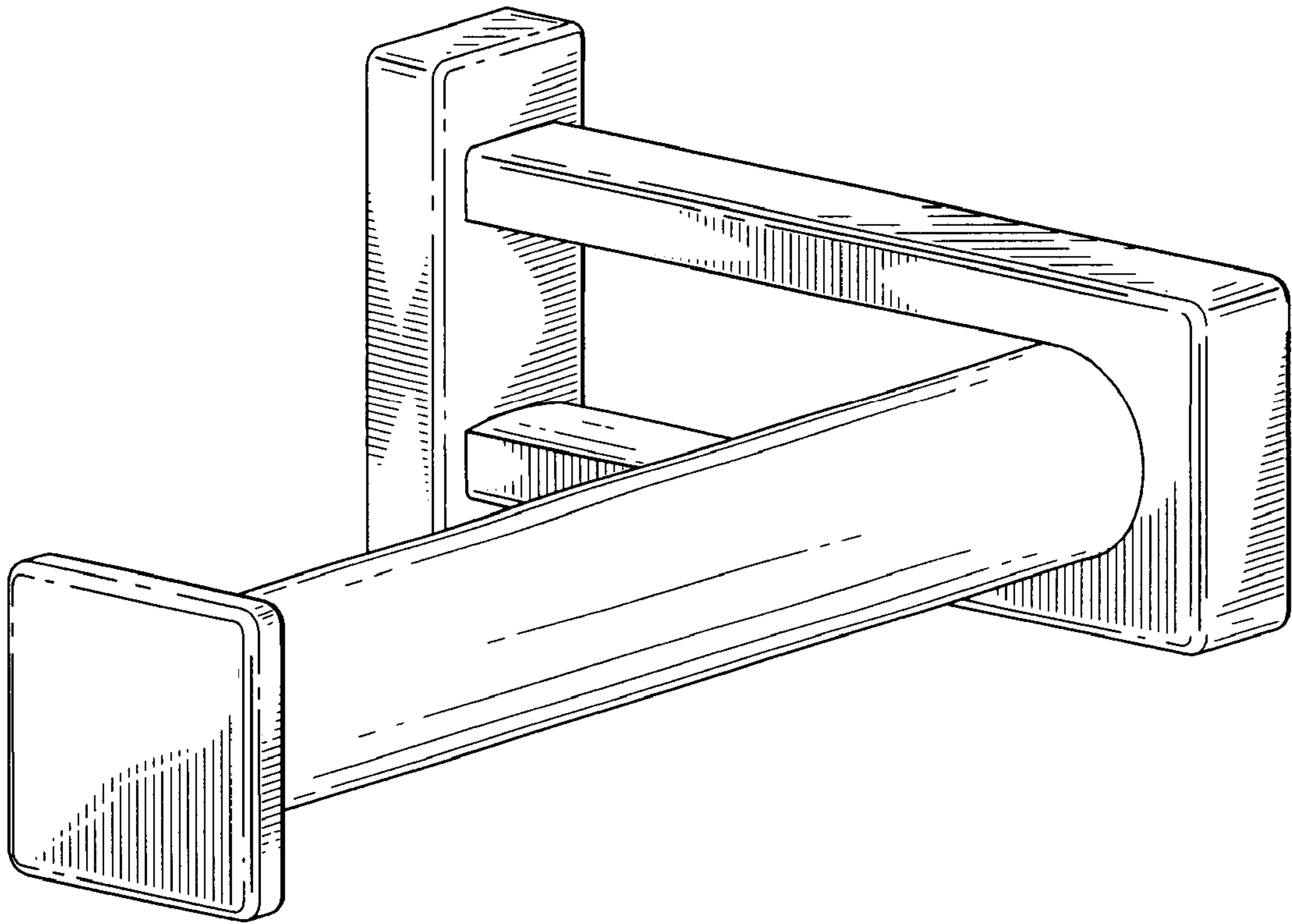


FIG. 1

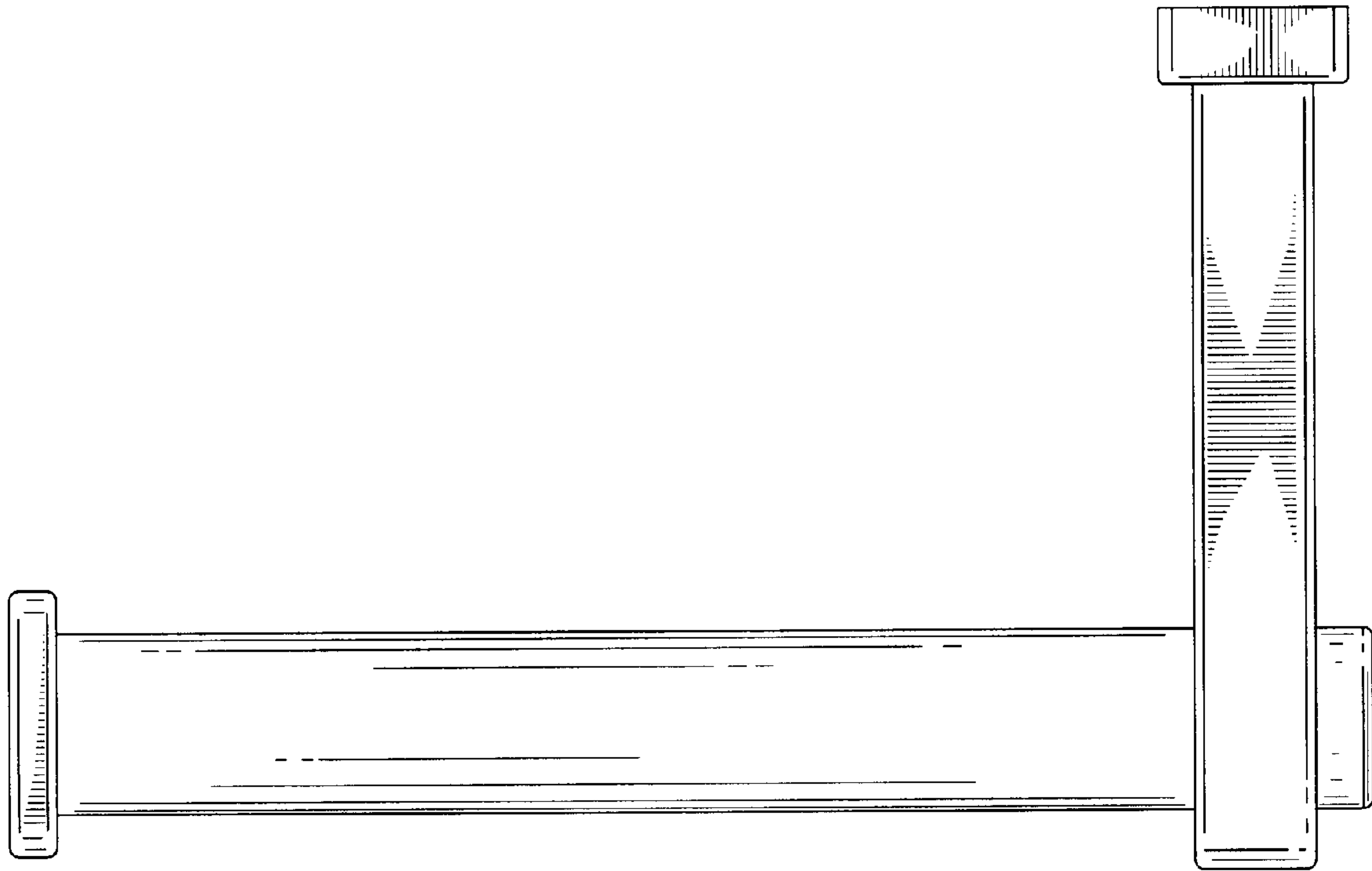


FIG. 2

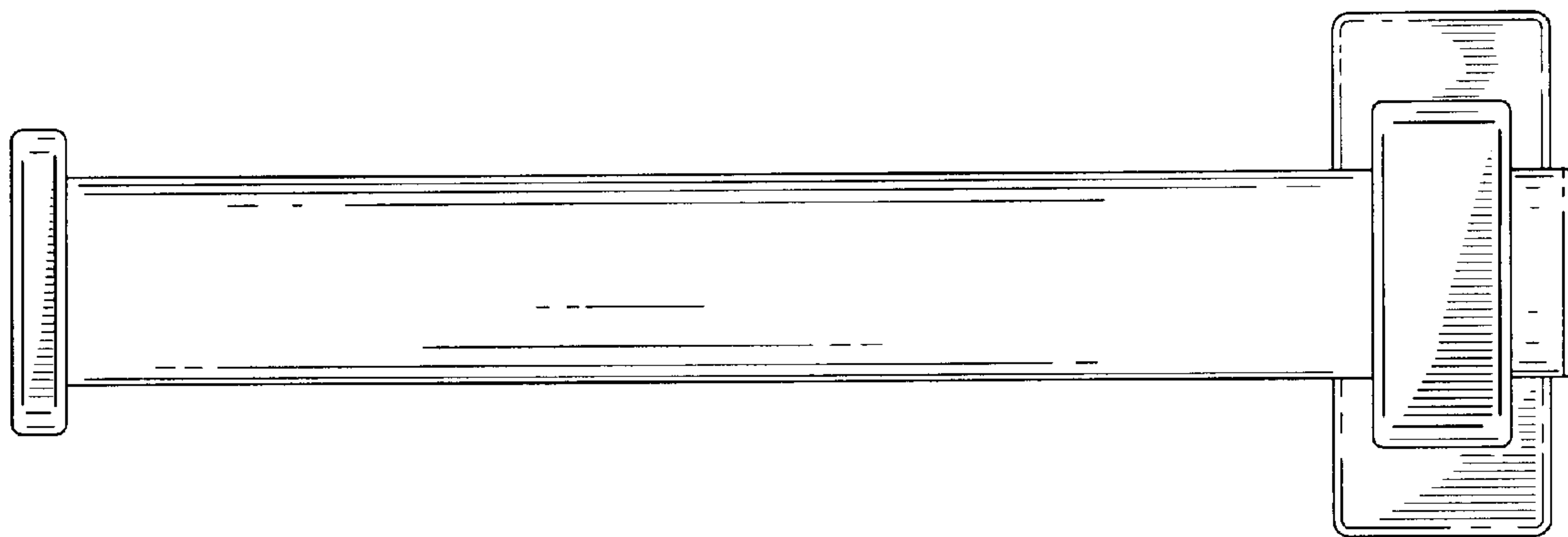


FIG. 3

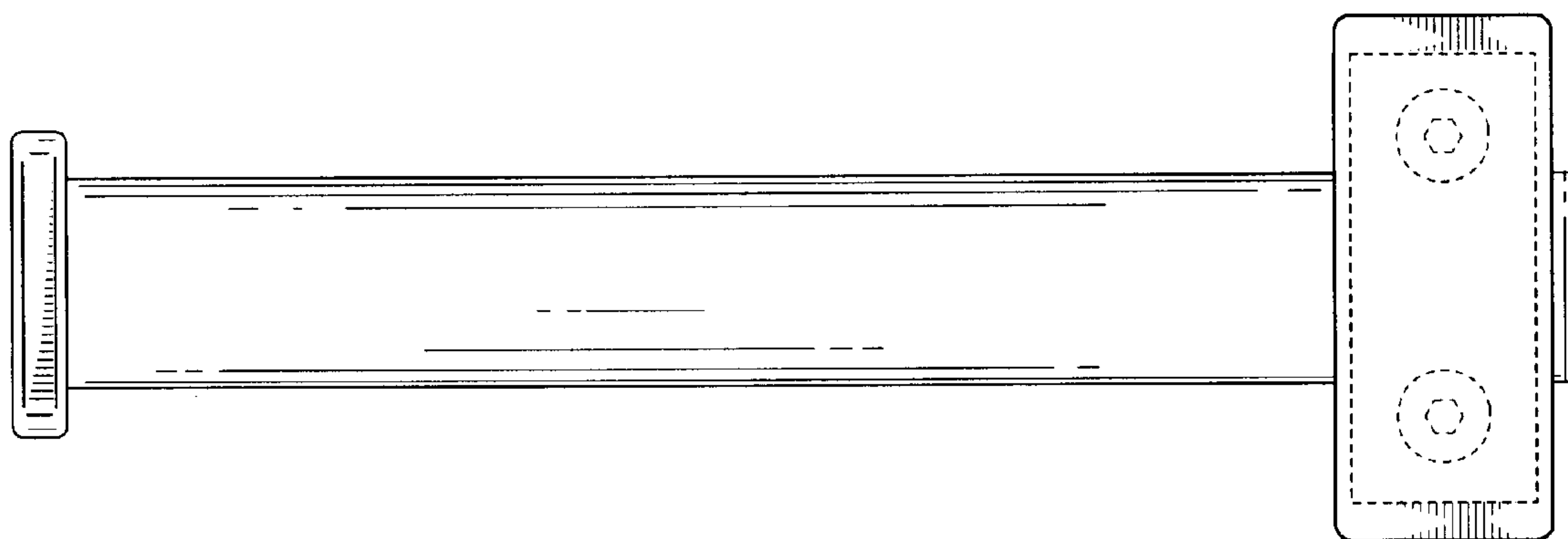


FIG. 4

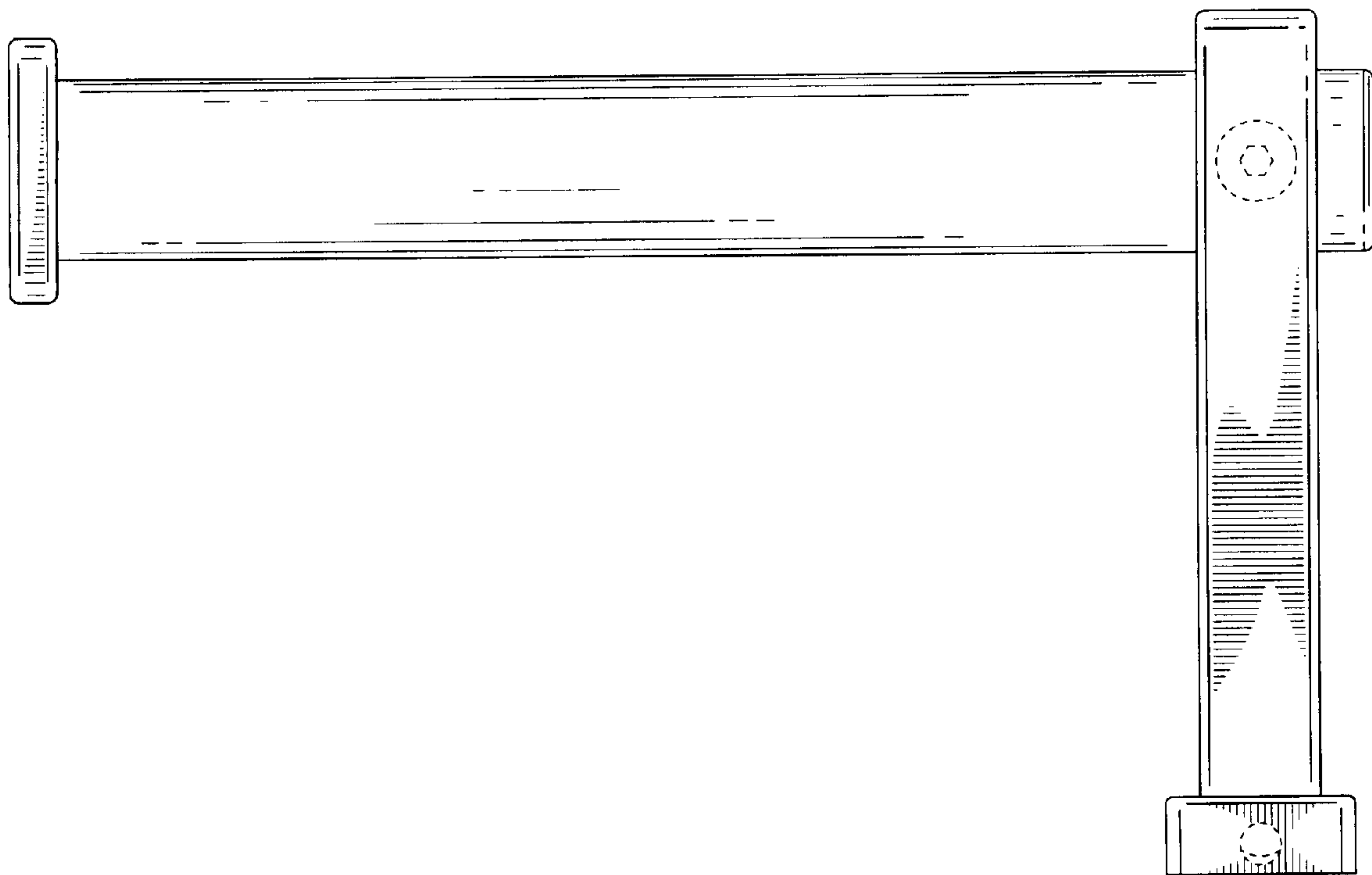


FIG. 5

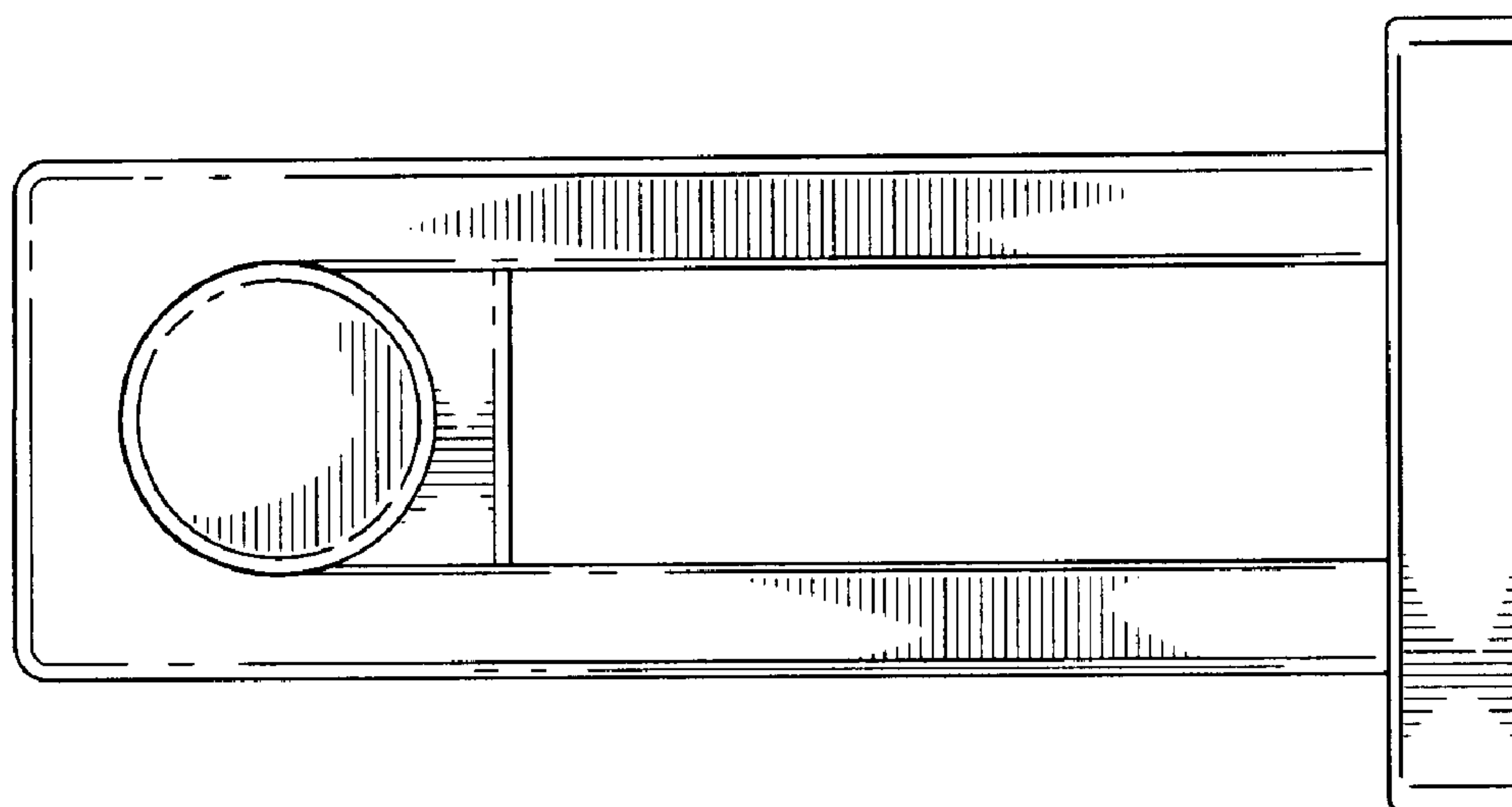


FIG. 6

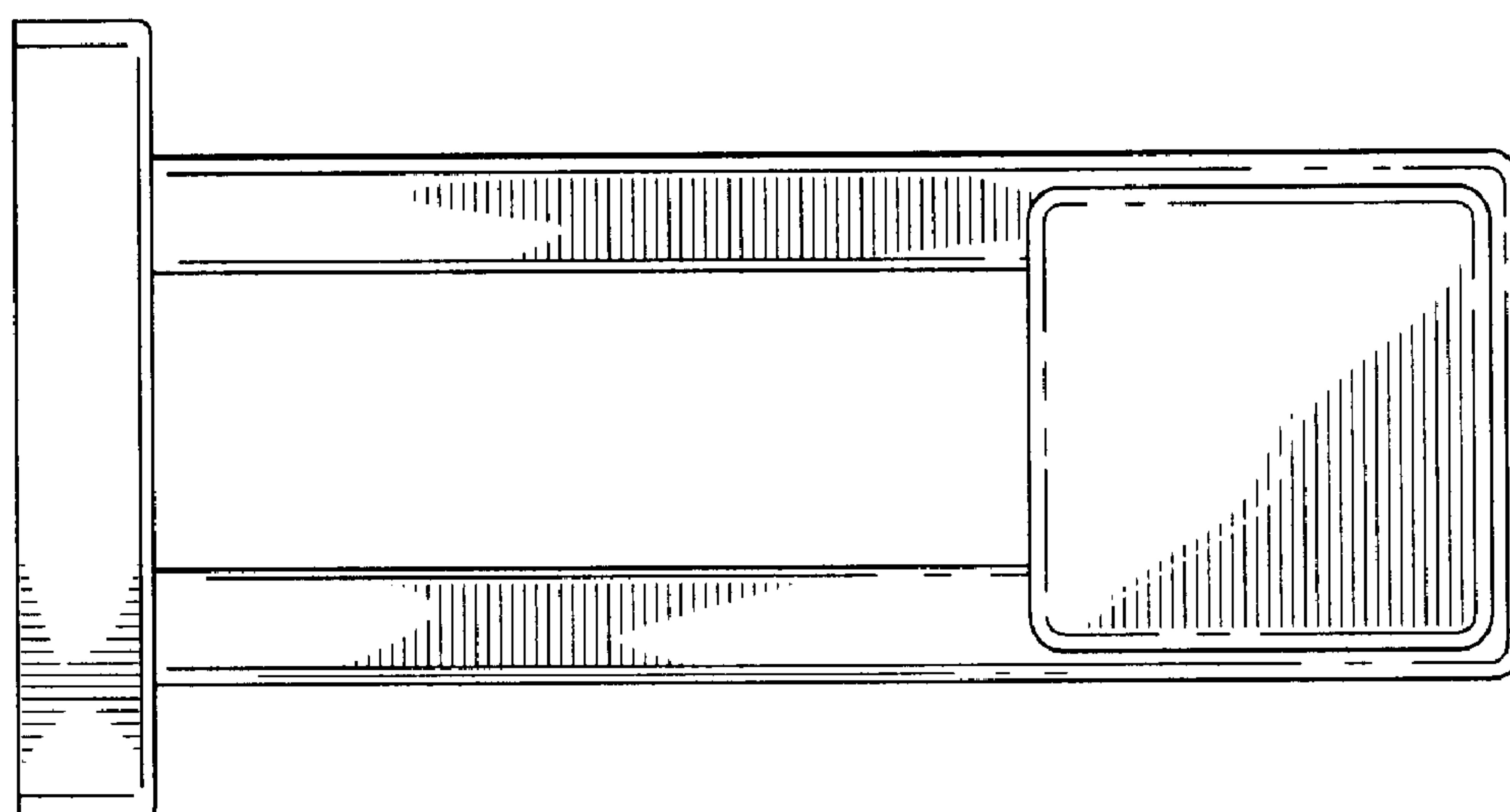


FIG. 7