



US00D520786S

(12) **United States Design Patent**
Ferrer Beltrán

(10) **Patent No.:** **US D520,786 S**

(45) **Date of Patent:** **** May 16, 2006**

(54) **TOILET PAPER ROLL HOLDER**

(75) Inventor: **José María Ferrer Beltrán**, Valencia (ES)

(73) Assignee: **Sonia, S.A.**, Valencia (ES)

(**) Term: **14 Years**

(21) Appl. No.: **29/230,359**

(22) Filed: **May 20, 2005**

(51) **LOC (8) Cl.** **23-02**

(52) **U.S. Cl.** **D6/523**

(58) **Field of Classification Search** D6/518-523,
D6/546, 549; 206/389; 242/520, 555, 595,
242/597; 248/309.1, 309.2; 211/123, 124
See application file for complete search history.

(56) **References Cited**

U.S. PATENT DOCUMENTS

2,632,605	A	*	3/1953	Lee	D6/523
D218,331	S	*	8/1970	Uta	D6/523
4,836,462	A	*	6/1989	Bruss	D6/523
D374,585	S	*	10/1996	Moon	D6/523
D455,587	S	*	4/2002	Ou-Young	D6/523
D471,748	S	*	3/2003	Moore	D6/523

D477,167 S * 7/2003 Hoernig D6/523

* cited by examiner

Primary Examiner—Brian N Vinson

(74) *Attorney, Agent, or Firm*—Jacobson Holman PLLC

(57) **CLAIM**

I claim the ornamental design for the toilet paper roll holder, as shown and described.

DESCRIPTION

FIG. 1 is a front perspective view of the toilet paper roll holder embodying my design;

FIG. 2 is the top plan view of the toilet paper roll holder as shown in FIG. 1;

FIG. 3 is the bottom view of the toilet paper roll holder as shown in FIG. 1;

FIG. 4 is the left end elevational view of the toilet paper roll holder as shown in FIG. 1;

FIG. 5 is the right end elevational view of the toilet paper roll holder as shown in FIG. 1;

FIG. 6 is the left side elevational view of the toilet paper roll holder as shown in FIG. 1; and,

FIG. 7 is the right side elevational view of the toilet paper roll holder as shown in FIG. 1.

1 Claim, 4 Drawing Sheets

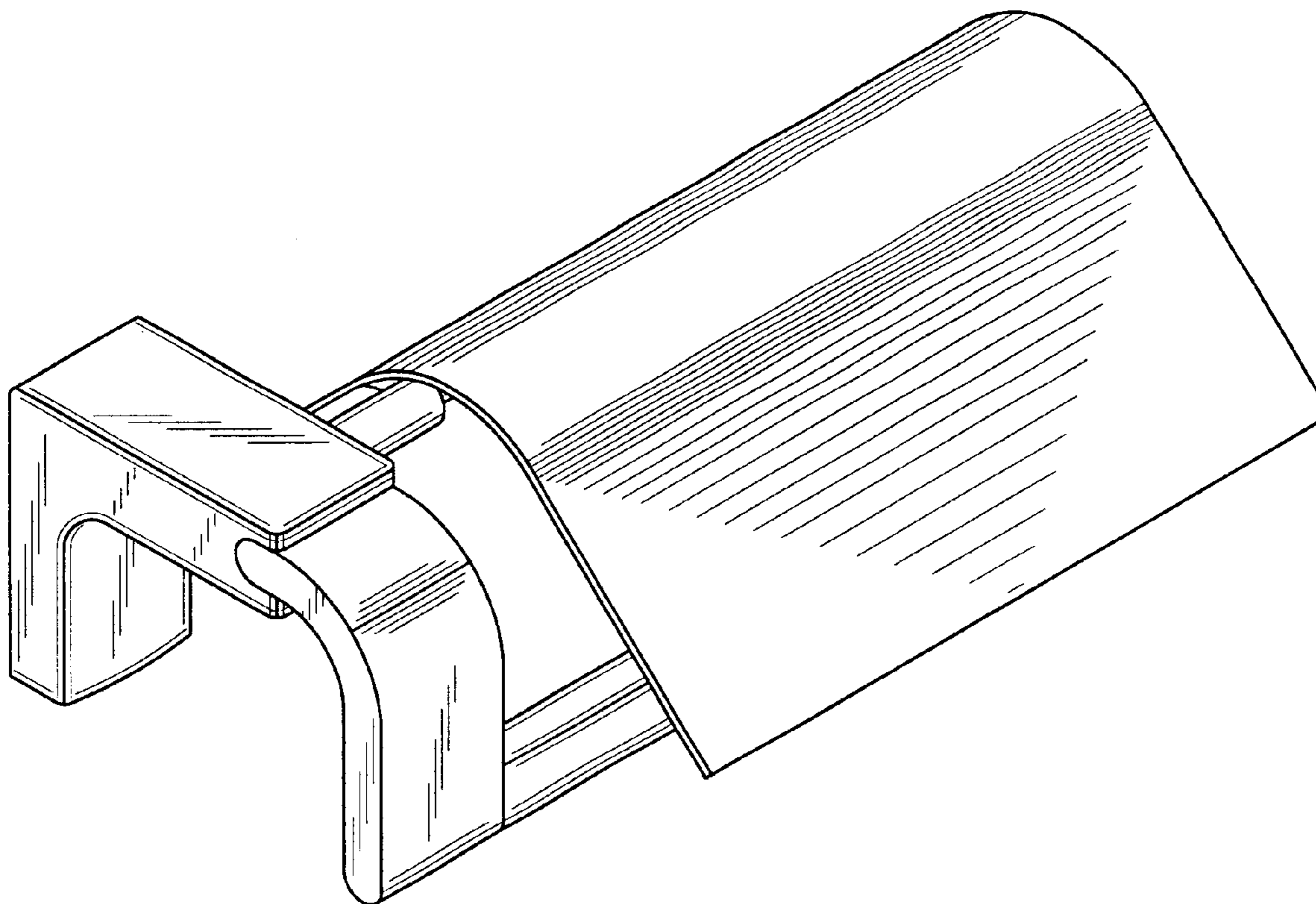


FIG. 1

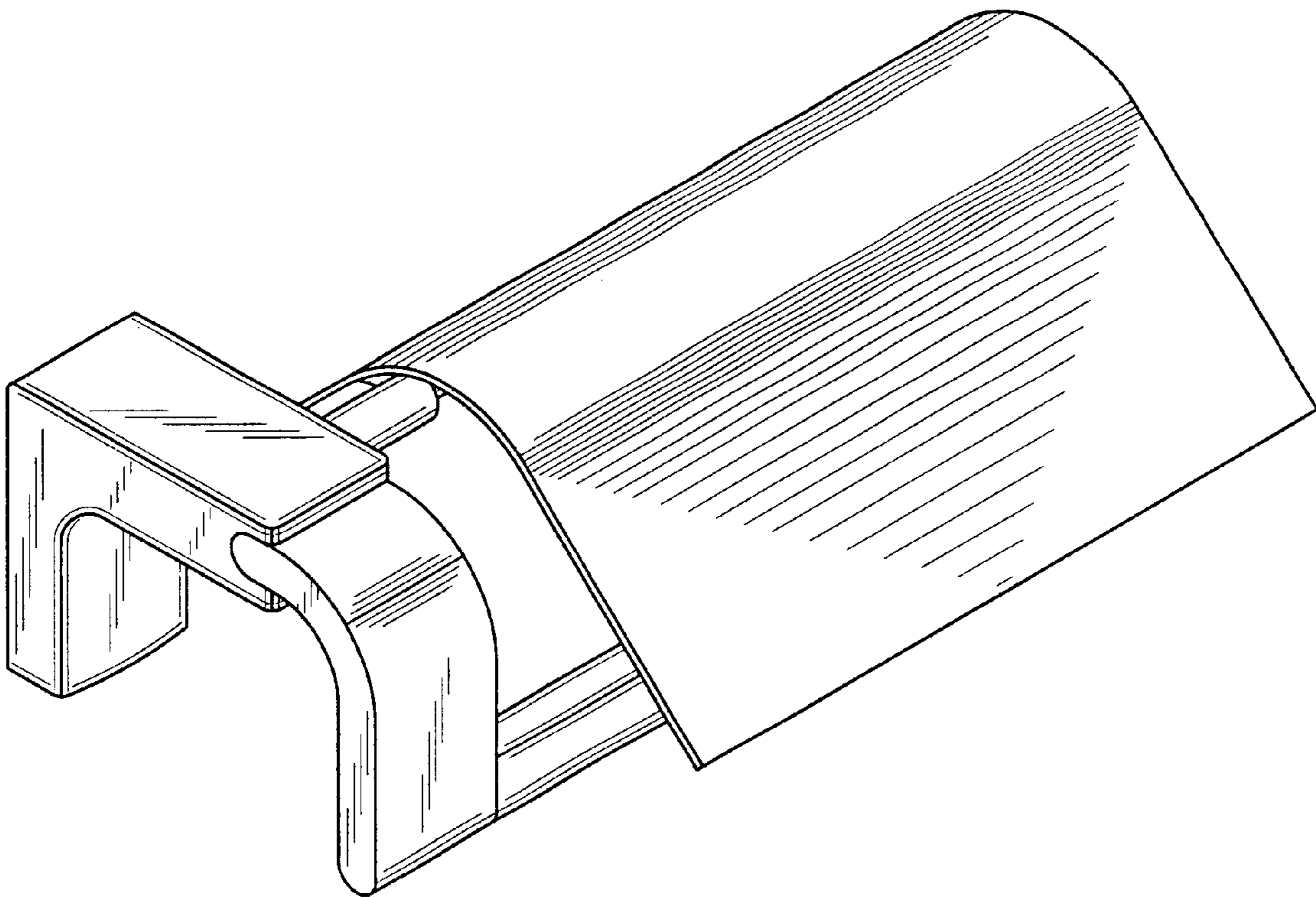


FIG. 2

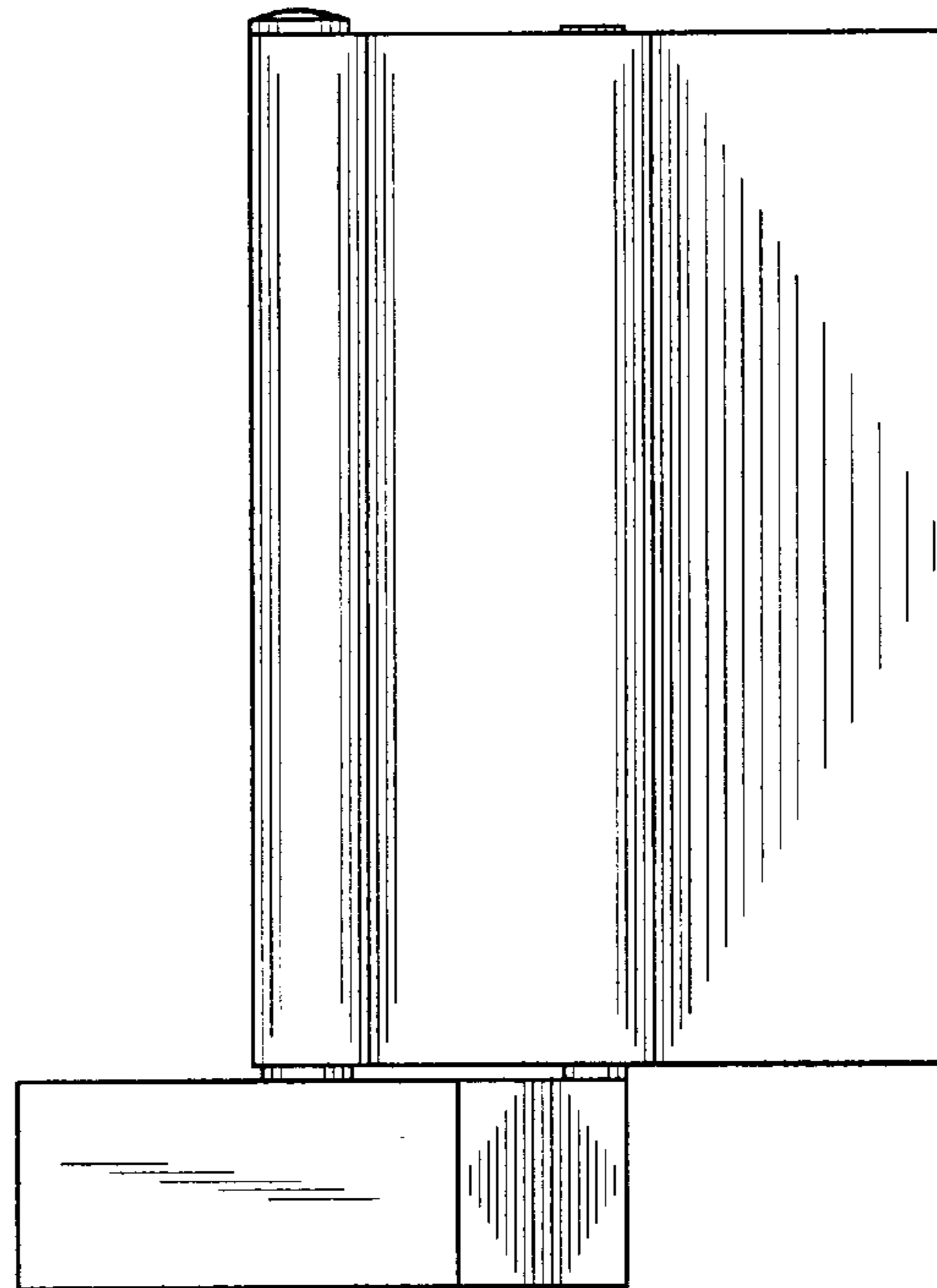


FIG. 3

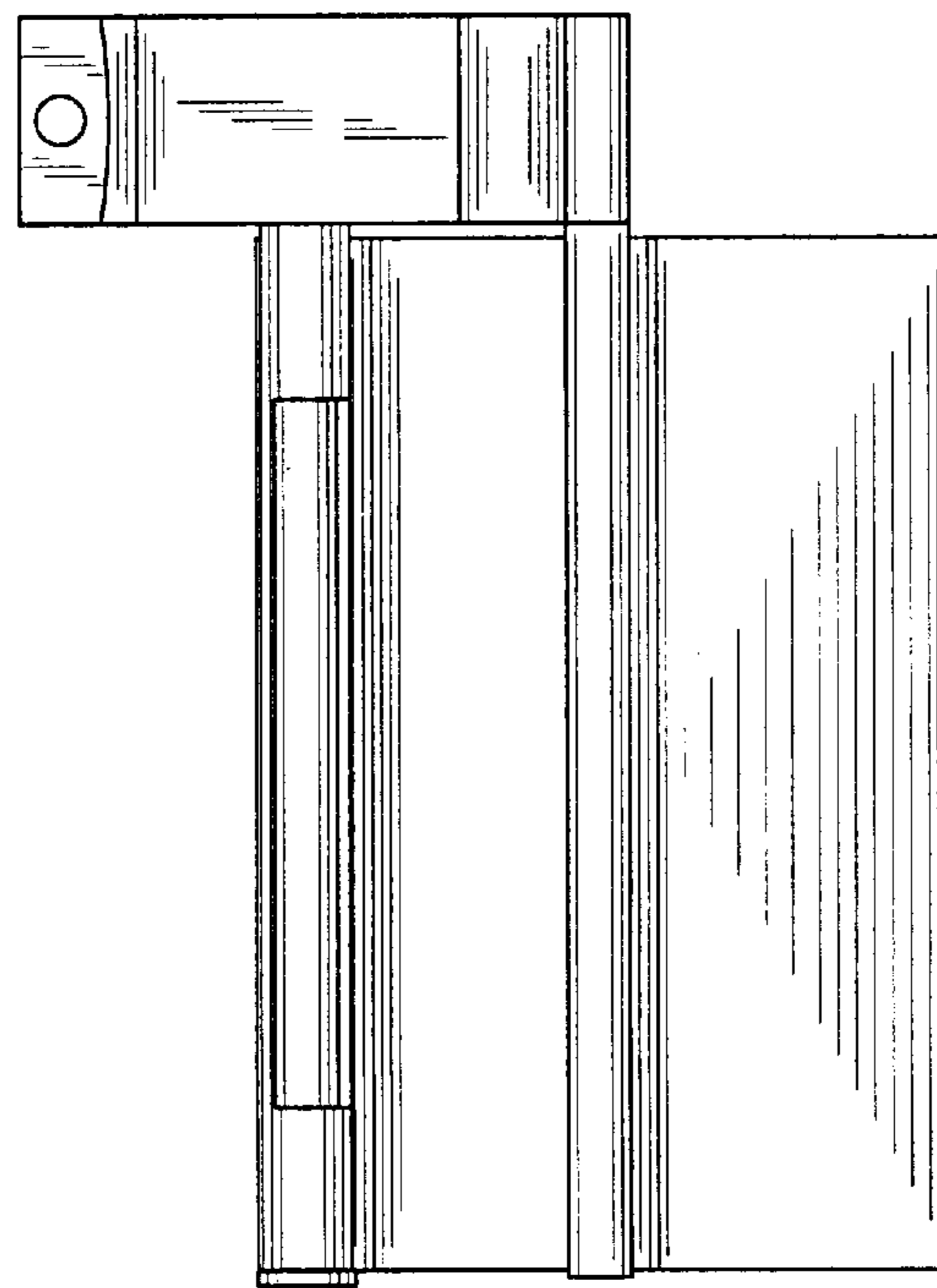


FIG. 4

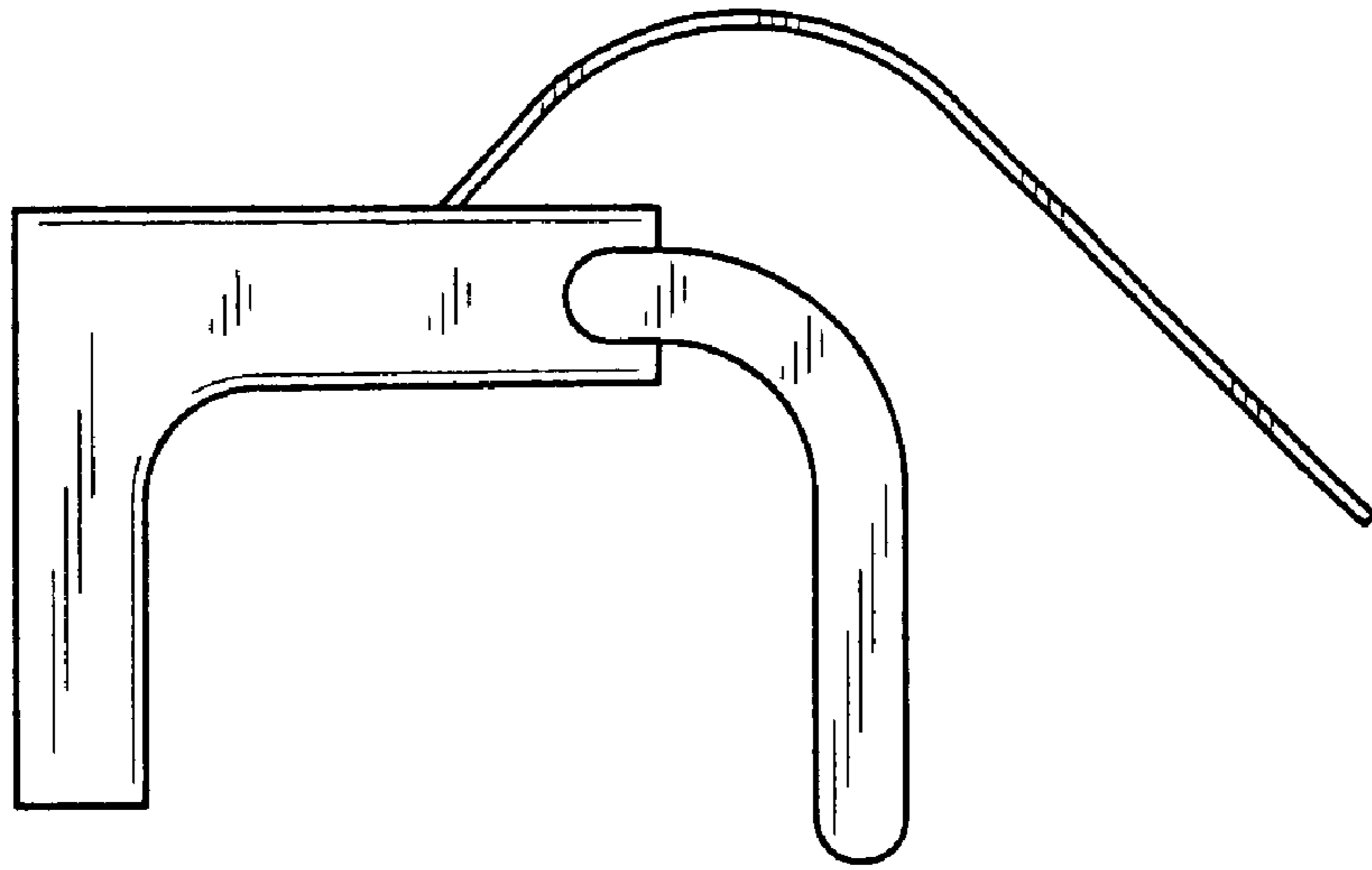


FIG. 5

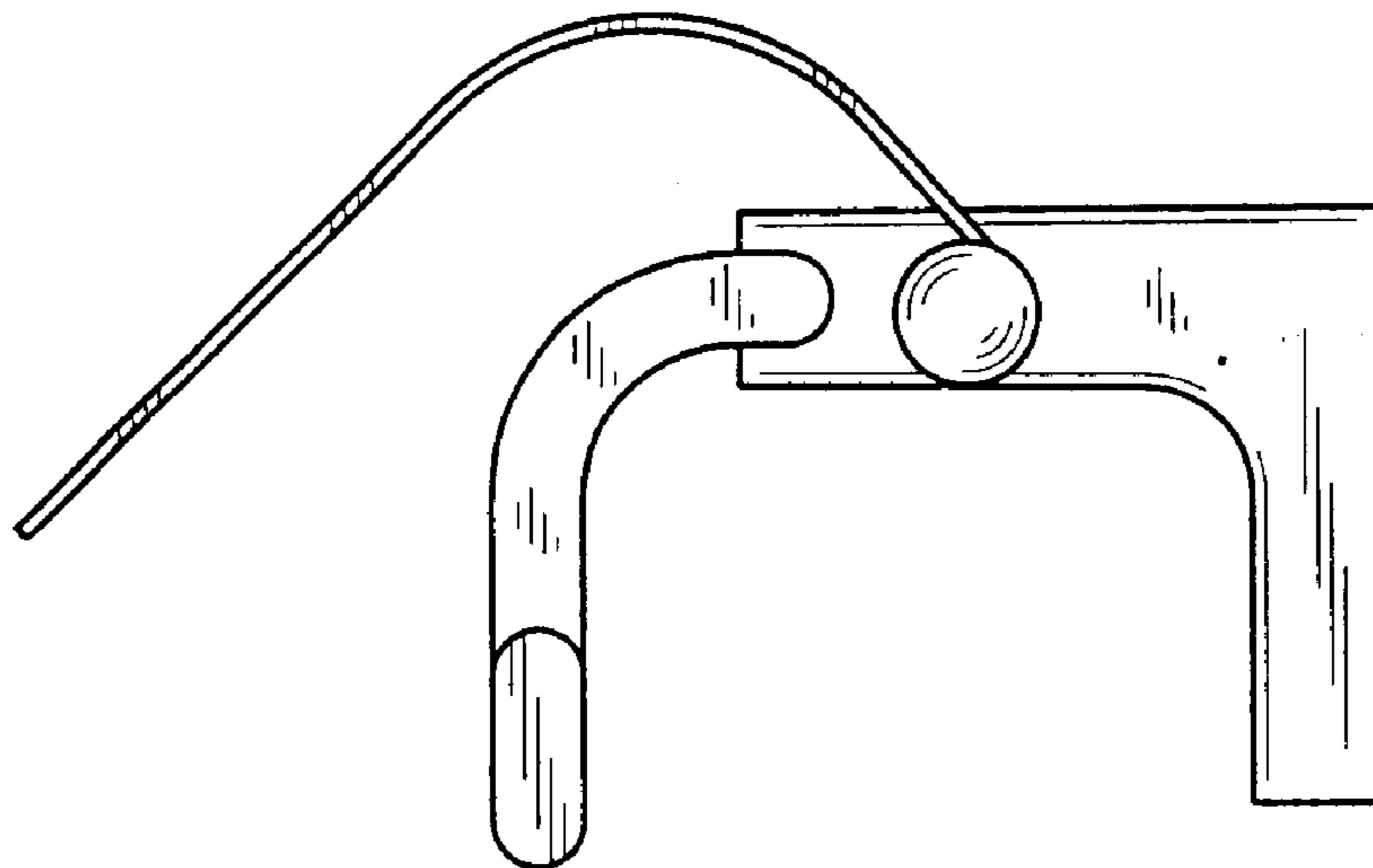


FIG. 6

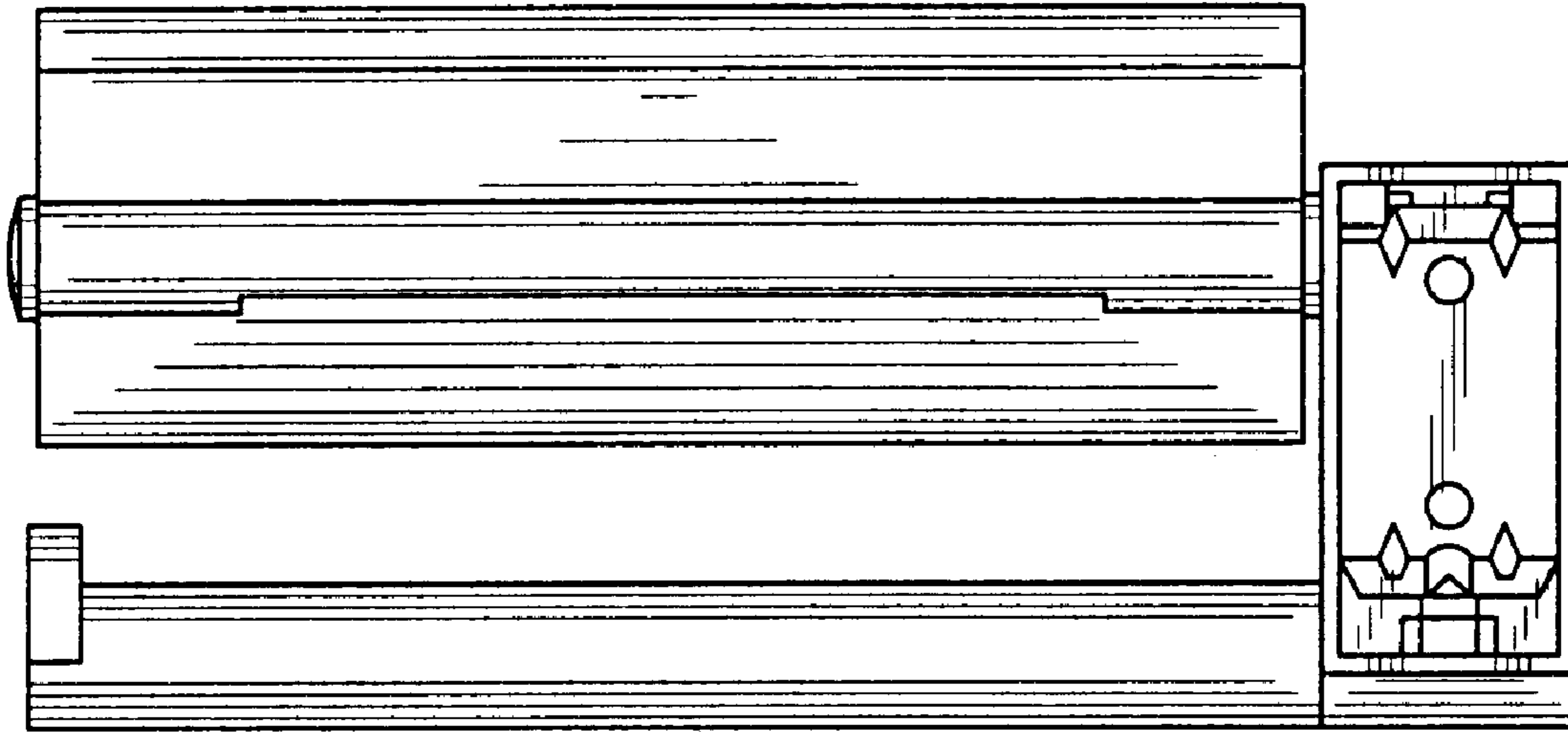


FIG. 7

