

US00D520785S

(12) **United States Design Patent**
Joseph

(10) **Patent No.:** **US D520,785 S**

(45) **Date of Patent:** **** May 16, 2006**

(54) **PAPER TOWEL HOLDER**

6,302,348 B1 * 10/2001 Lillelund et al. 242/597.7
6,619,582 B1 * 9/2003 Carsten 242/597.7

(76) Inventor: **Rony Koshy Joseph**, 2257 S.
Sandpiper Ct., West Lafayette, IN (US)
47906

* cited by examiner

Primary Examiner—Brian N Vinson

(**) Term: **14 Years**

(57) **CLAIM**

(21) Appl. No.: **29/235,907**

The ornamental design for a paper towel holder, as shown and described.

(22) Filed: **Aug. 8, 2005**

DESCRIPTION

(51) **LOC (8) Cl.** **20-20**

(52) **U.S. Cl.** **D6/521**

(58) **Field of Classification Search** D6/518-523;
206/389, 391; 211/13.1, 59.1, 45, 89.01;
242/570, 590, 597, 597.7, 130.2; 348/309.1,
348/309.2

See application file for complete search history.

FIG. 1 is a front perspective view of the paper towel holder showing my new design;
FIG. 2 is a front elevation view thereof;
FIG. 3 is a rear elevation view thereof;
FIG. 4 is a right side elevation view thereof, the left side elevational view being a mirror image of that shown;
FIG. 5 is a top plan view thereof; and,
FIG. 6 is a bottom plan view thereof.

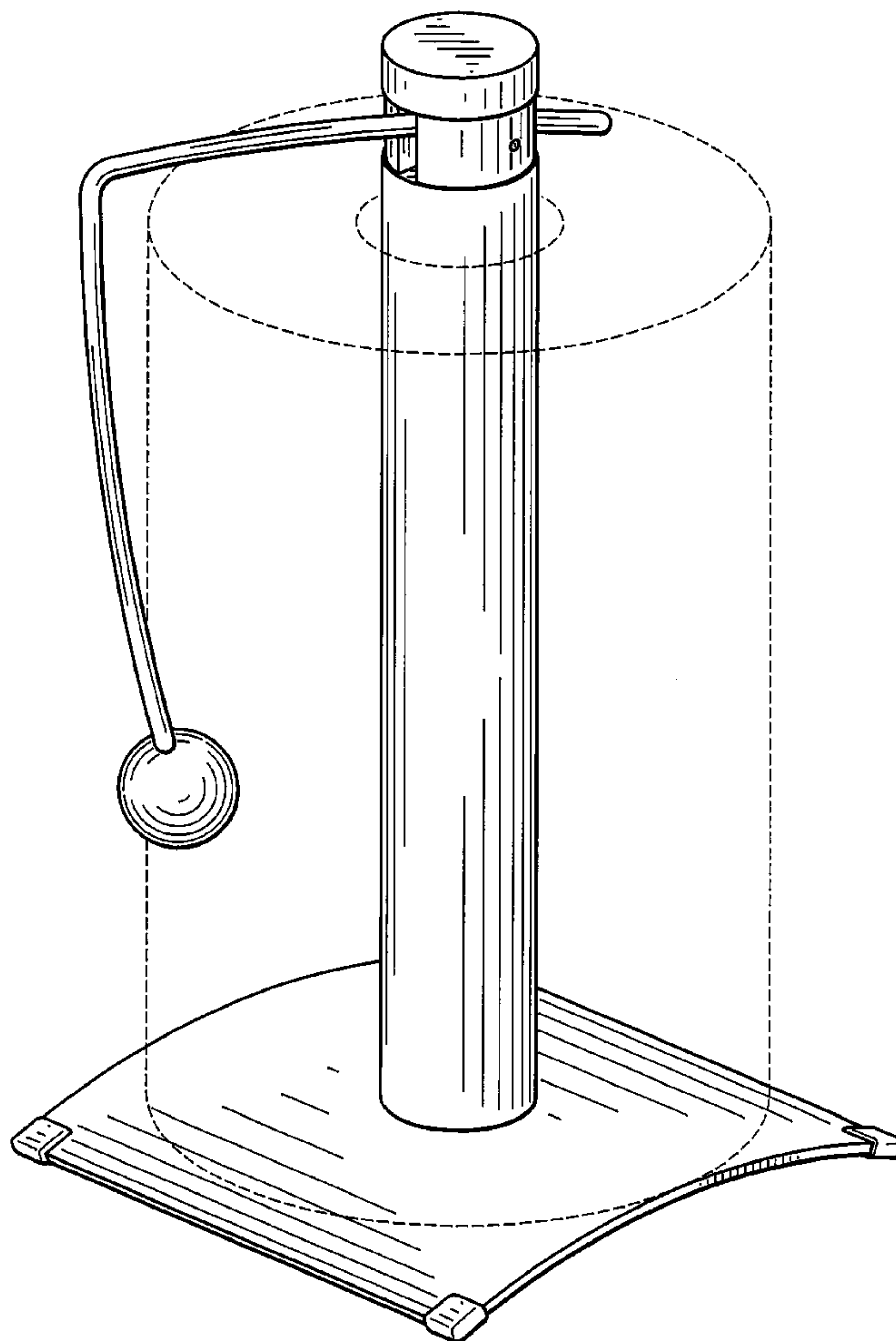
The broken-line disclosure of a paper towel roll in the views is for illustrative purposes only and forms no part of the claimed design.

(56) **References Cited**

U.S. PATENT DOCUMENTS

5,125,609 A * 6/1992 Demeo 242/597.7
D419,013 S * 1/2000 Tisdale D6/522
D441,994 S * 5/2001 Huggins D6/521

1 Claim, 4 Drawing Sheets



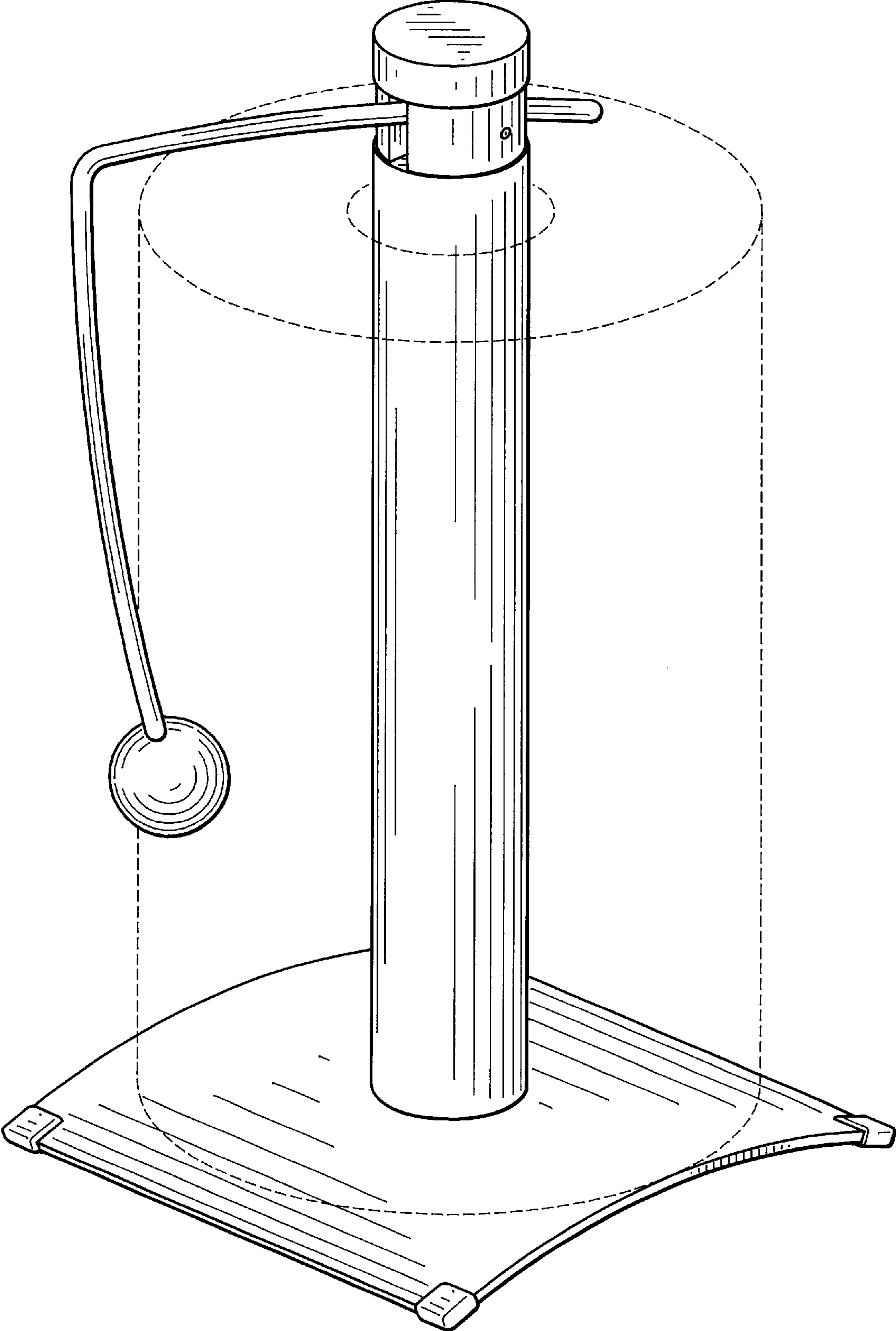


Fig. 1

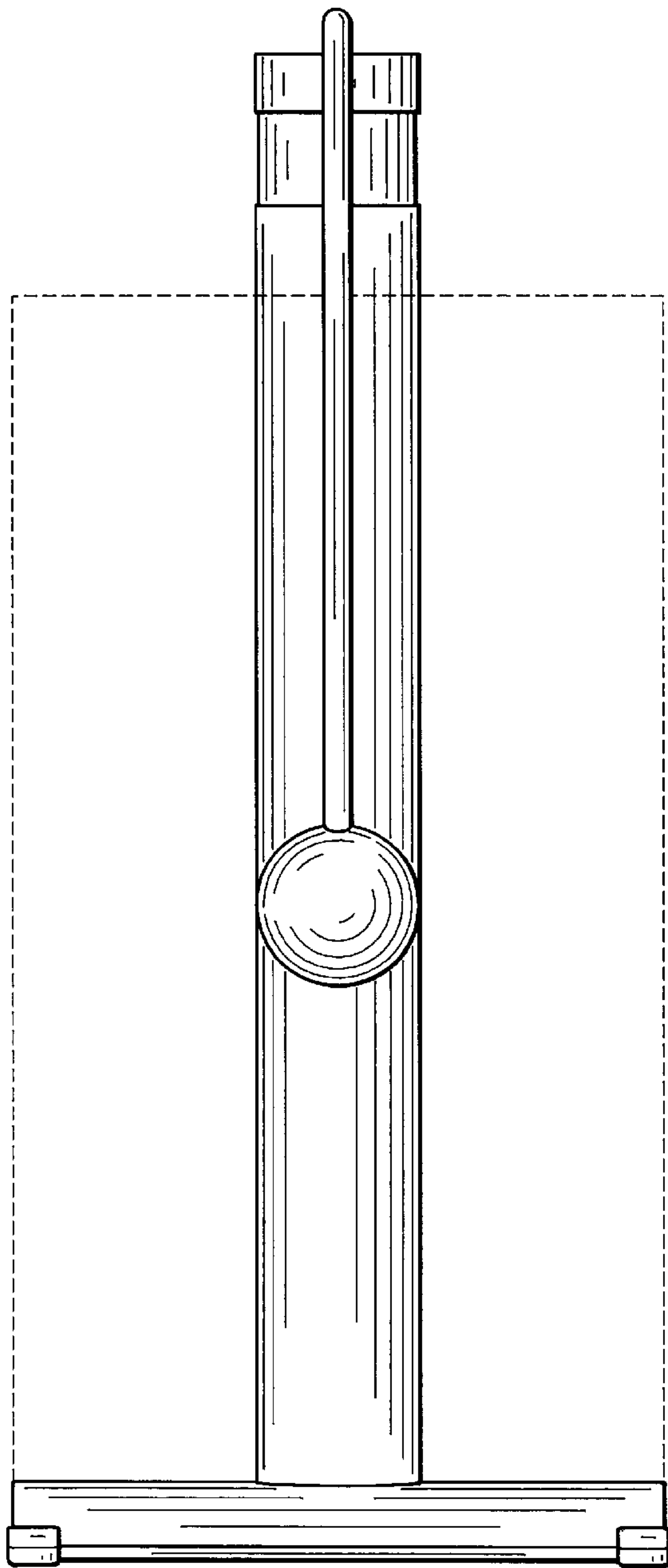


Fig. 2

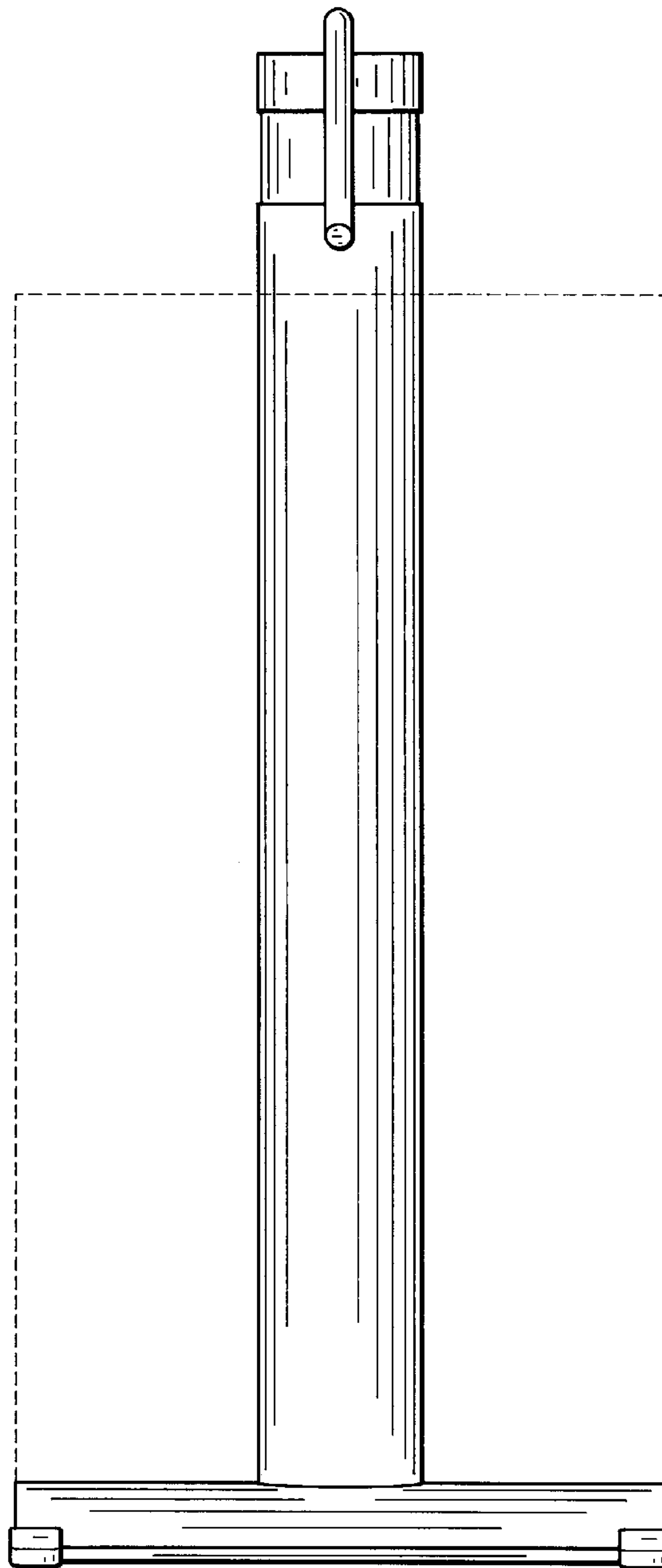


Fig. 3

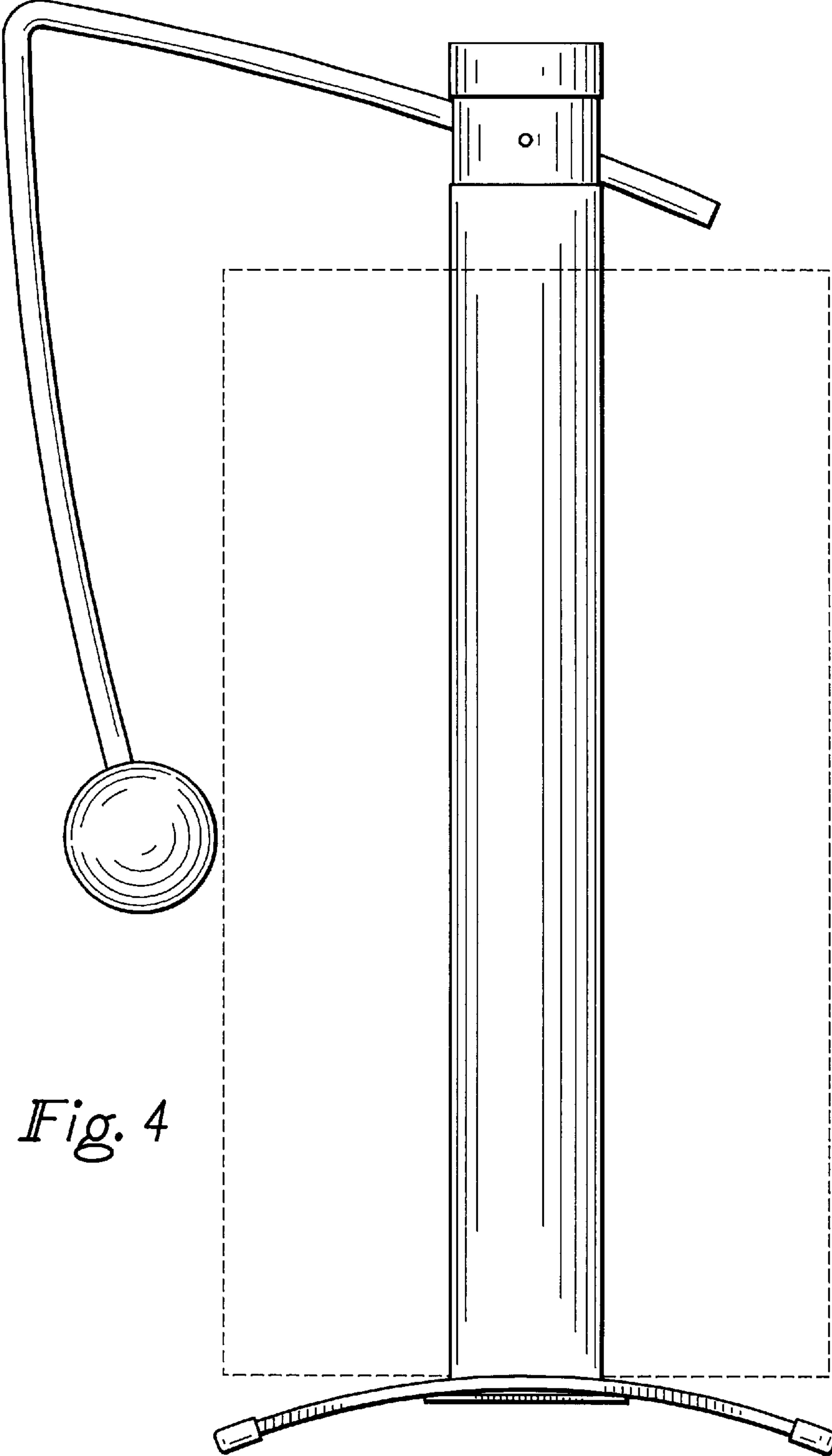


Fig. 4

Fig. 5

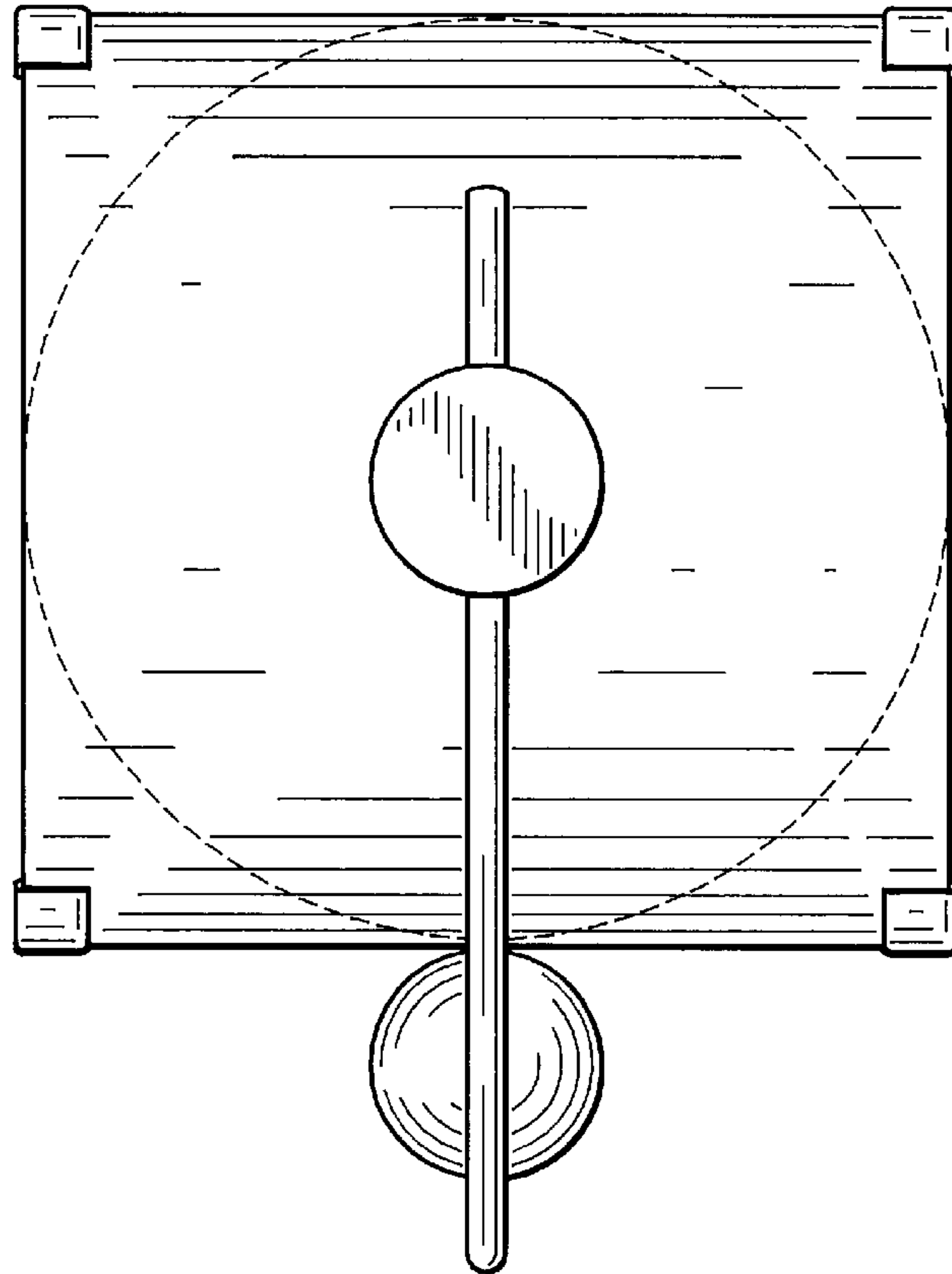


Fig. 6

