



US00D520783S

(12) **United States Design Patent**
Freeborn et al.

(10) **Patent No.:** **US D520,783 S**

(45) **Date of Patent:** **** May 16, 2006**

(54) **ROTATING ASSIST RAIL**

(75) Inventors: **Brian Freeborn**, Mississauga (CA);
Ted House, Grimsby (CA); **Geoff Rutherford**, Milton (CA)

(73) Assignee: **M.C. Healthcare Products Inc.**,
Beamsville (CA)

(**) Term: **14 Years**

(21) Appl. No.: **29/214,274**

(22) Filed: **Oct. 1, 2004**

(51) **LOC (8) Cl.** **06-06**

(52) **U.S. Cl.** **D6/503**

(58) **Field of Classification Search** D6/382-389,
D6/392-295, 503; 5/658, 662, 425, 428,
5/430

See application file for complete search history.

(56) **References Cited**

U.S. PATENT DOCUMENTS

2,722,017	A	*	11/1955	Burst et al.	5/428
3,173,158	A	*	3/1965	Oakes	5/425
3,971,083	A		7/1976	Peterson	
4,680,790	A		7/1987	Packard et al.	
5,160,010	A		11/1992	Peterson	
5,163,968	A		11/1992	Lafferty	
5,173,975	A		12/1992	Peterson	
5,195,200	A		3/1993	Leoutsakos	
5,257,428	A		11/1993	Carroll et al.	
5,448,791	A	*	9/1995	Brown	5/662
5,604,942	A		2/1997	Allevato et al.	
5,669,090	A		9/1997	Basgall	
5,680,661	A		10/1997	Foster et al.	
5,774,914	A		7/1998	Johnson et al.	
5,802,636	A		9/1998	Corbin et al.	
5,862,549	A		1/1999	Morton et al.	
5,878,452	A		3/1999	Brooke et al.	
5,894,966	A		4/1999	Bobey et al.	
5,913,774	A		6/1999	Feddema	
5,926,878	A		7/1999	Morton et al.	
6,047,424	A		4/2000	Osborne et al.	
6,058,531	A	*	5/2000	Carroll	5/430
D445,614	S	*	7/2001	Sommerfeld et al.	D6/503

6,321,878	B1		11/2001	Mobley et al.	
6,473,921	B1		11/2002	Brooke et al.	
D475,559	S	*	6/2003	Roussy	D6/503
6,629,325	B1	*	10/2003	Heavrin	5/662

* cited by examiner

Primary Examiner—Janice E. Seeger

(57) **CLAIM**

The ornamental design for a rotating assist rail, as shown and described.

DESCRIPTION

FIG. 1 is a perspective view of a front side of the rotating assist rail showing the subject invention in a first position, with the rotating assist rail mounted on a bed frame;

FIG. 2 is a perspective view of the front side and a first side thereof;

FIG. 3 is a front view thereof;

FIG. 4 is a view of a second side thereof;

FIG. 5 is a view of the first side thereof;

FIG. 6 is a back view thereof;

FIG. 7 is a top view thereof;

FIG. 8 is a bottom view thereof;

FIG. 9 is a perspective view of the rotating assist rail in a second position;

FIG. 10 is a front view thereof;

FIG. 11 is a view of the second side thereof;

FIG. 12 is a view of the first side thereof;

FIG. 13 is a back view thereof;

FIG. 14 is a top view thereof;

FIG. 15 is a bottom view thereof;

FIG. 16 is a perspective view of the rotating assist rail in a third position;

FIG. 17 is a front view thereof;

FIG. 18 is a view of the second side thereof;

FIG. 19 is a view of the first side thereof;

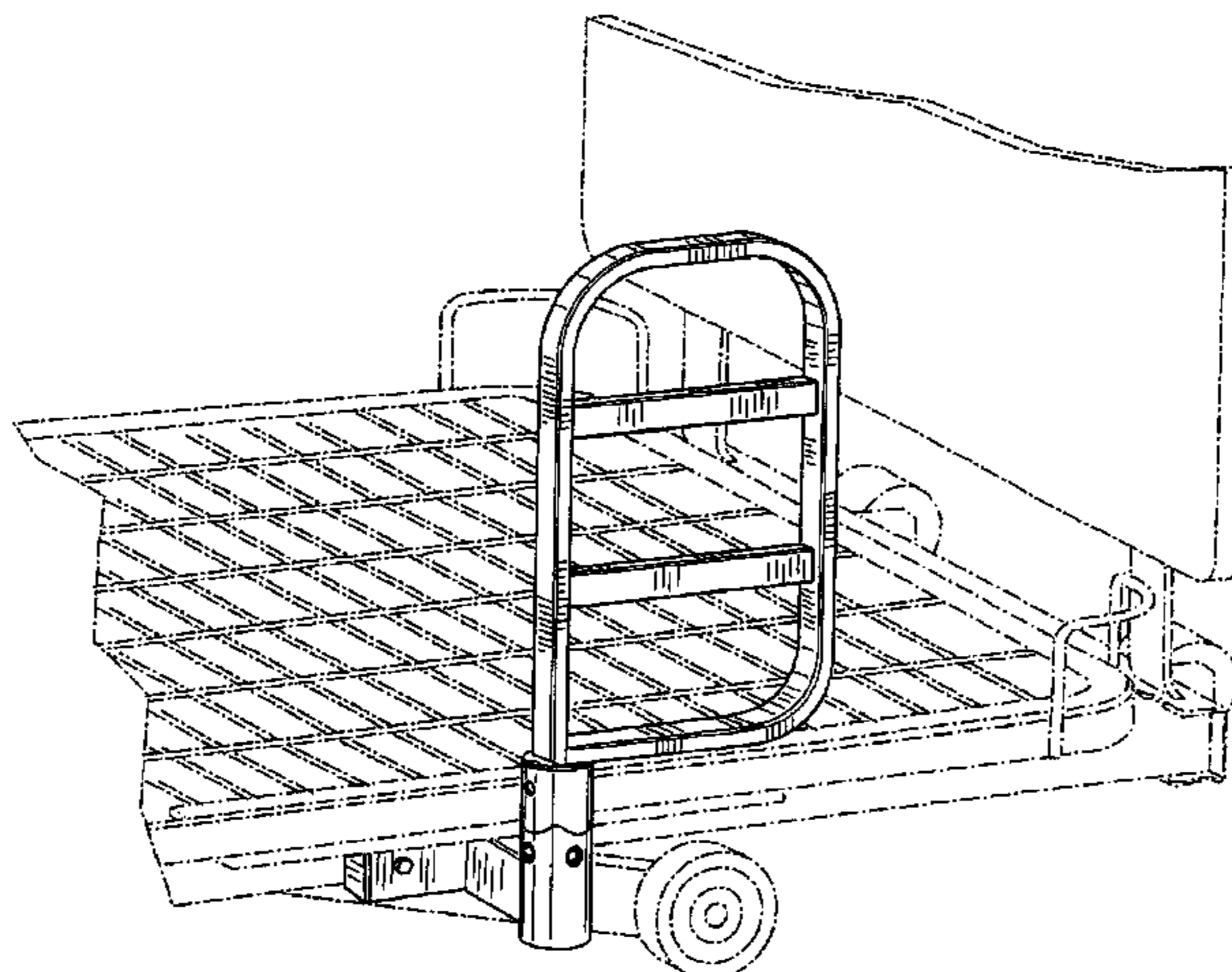
FIG. 20 is a back view thereof;

FIG. 21 is a top view thereof; and,

FIG. 22 is a bottom view thereof.

The broken lines showing the bed frame in FIG. 1 are for illustrative purposes only and form no part of the claimed design.

1 Claim, 7 Drawing Sheets



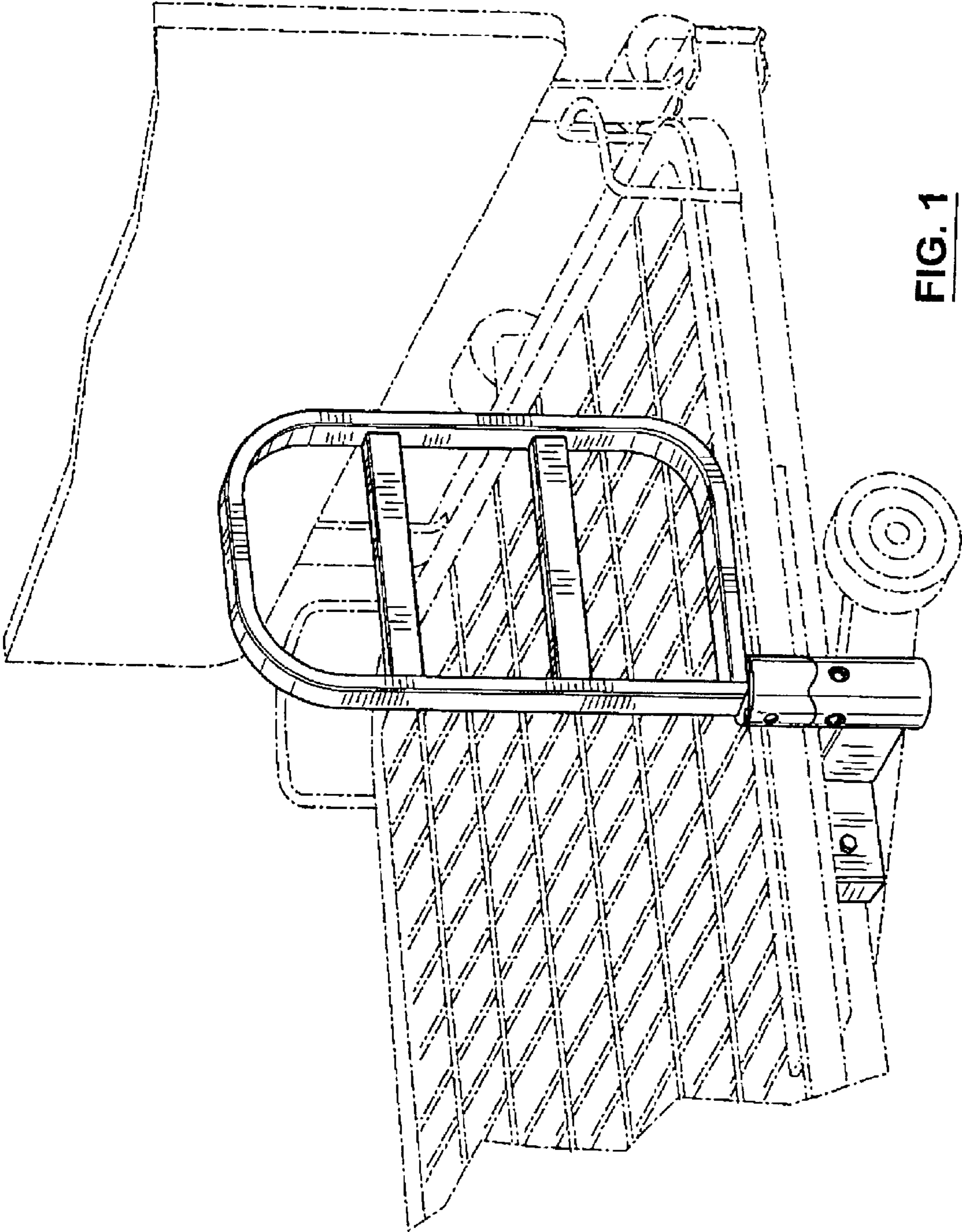


FIG. 1

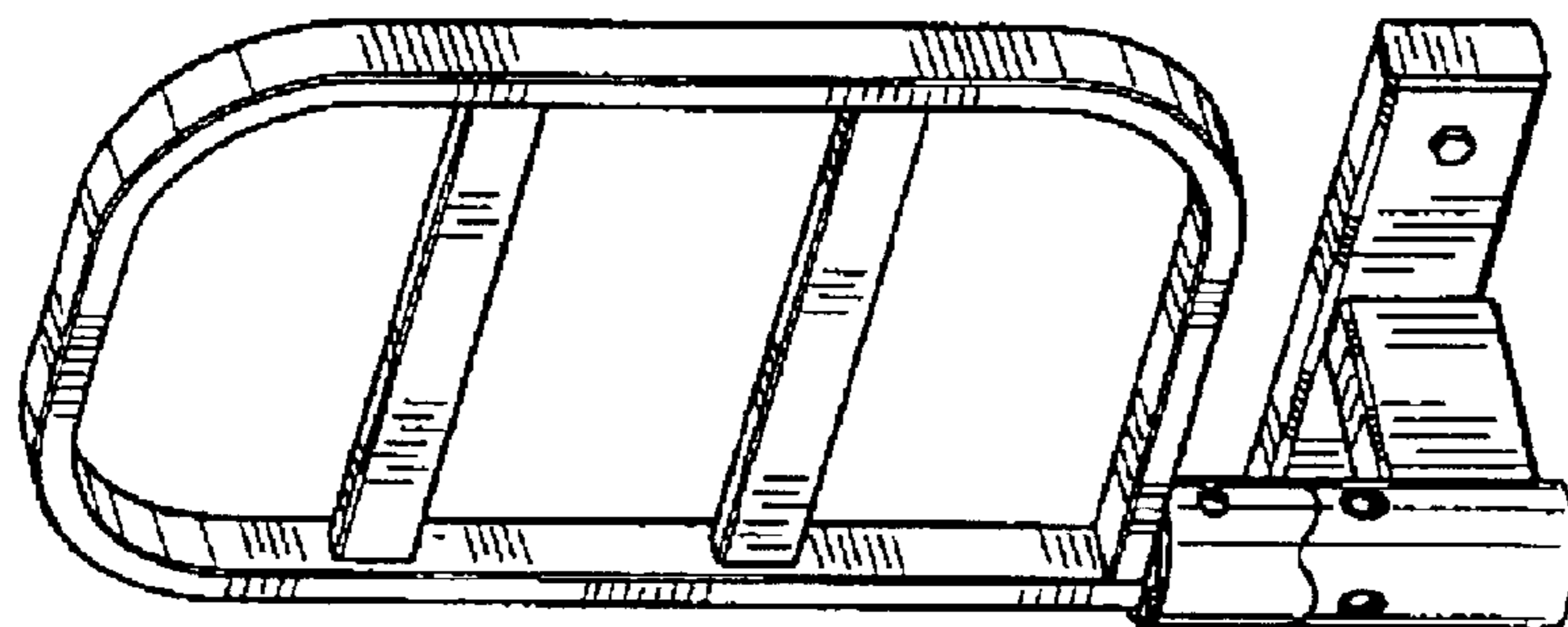


FIG. 2

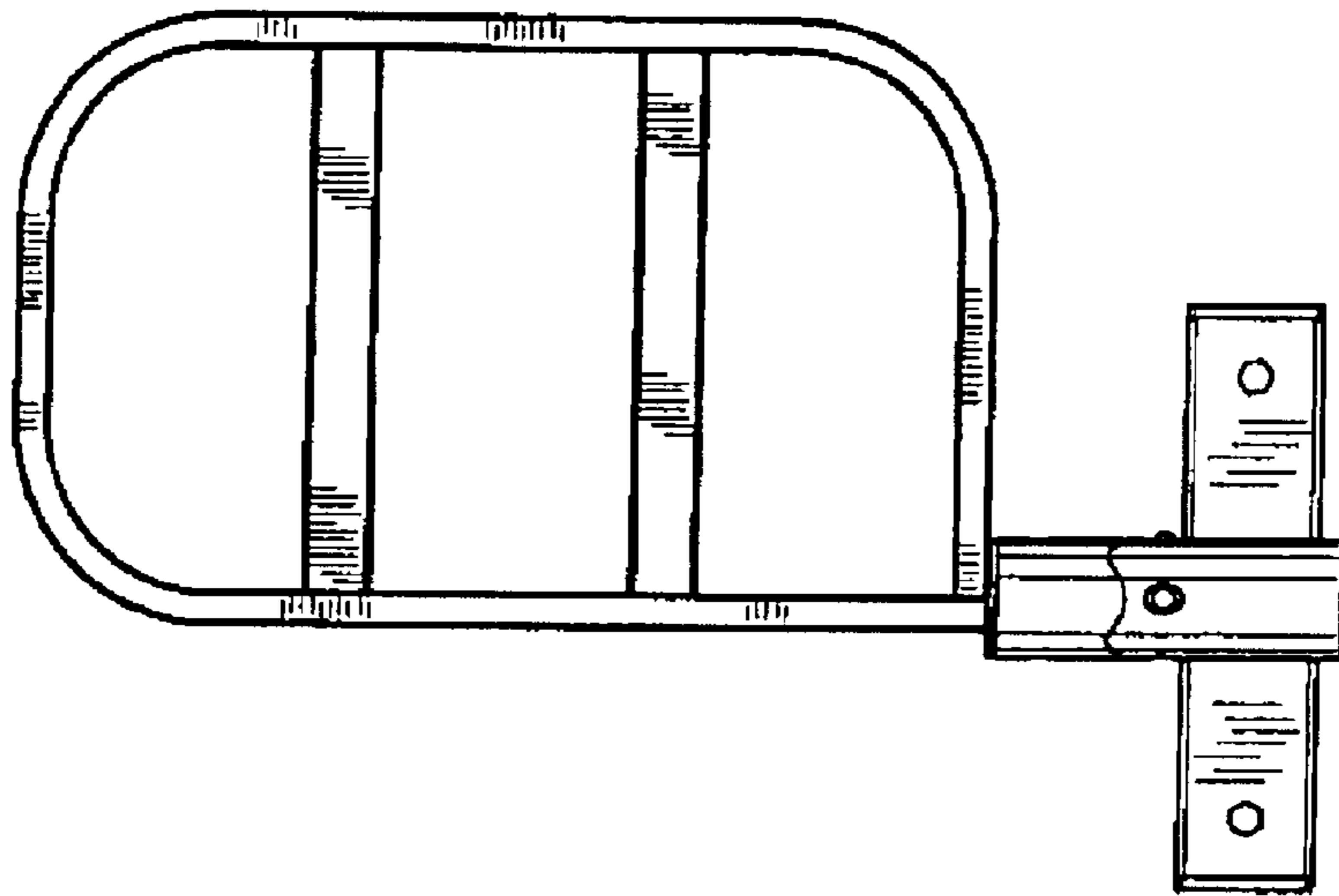


FIG. 3

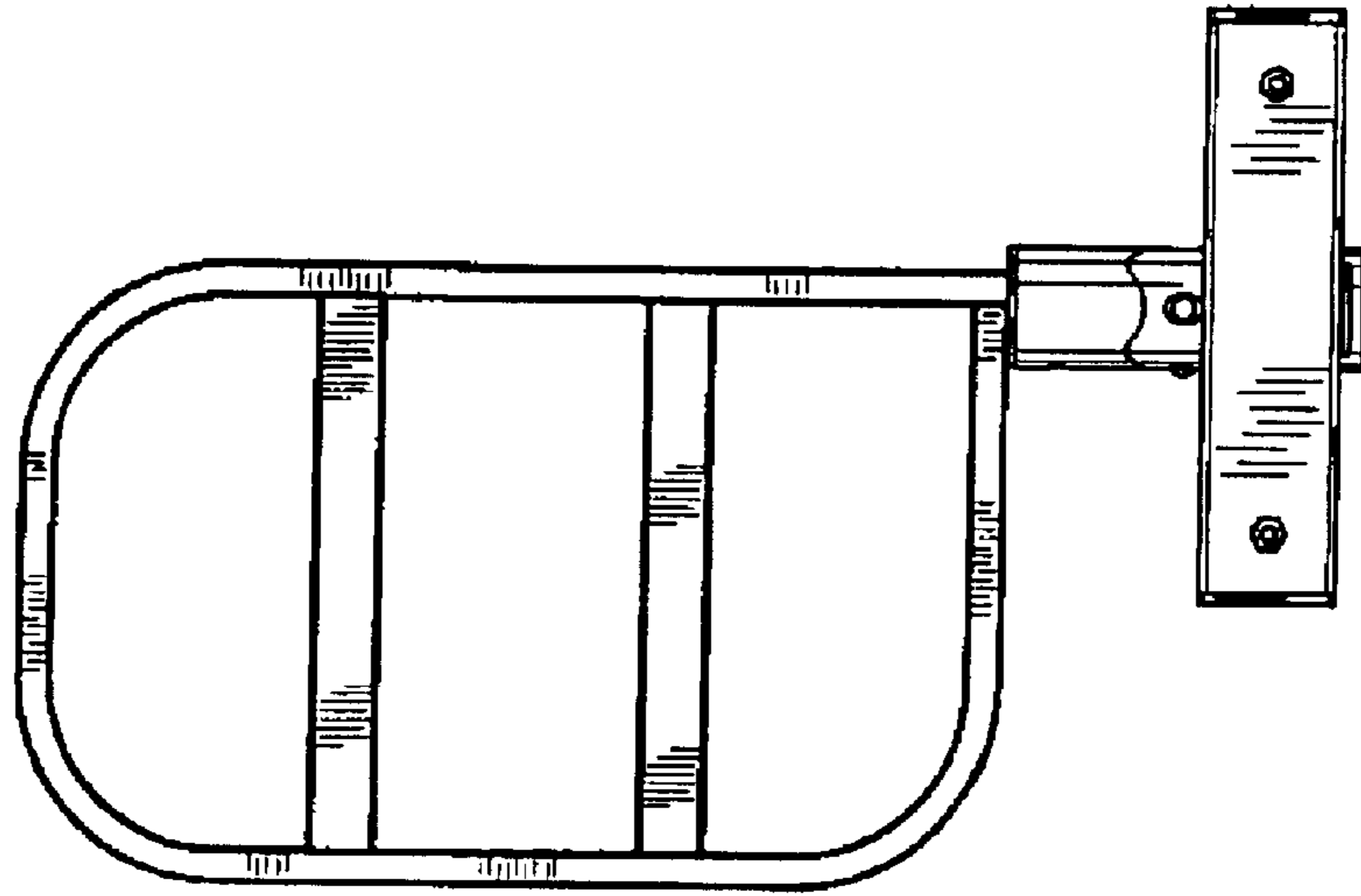


FIG. 6

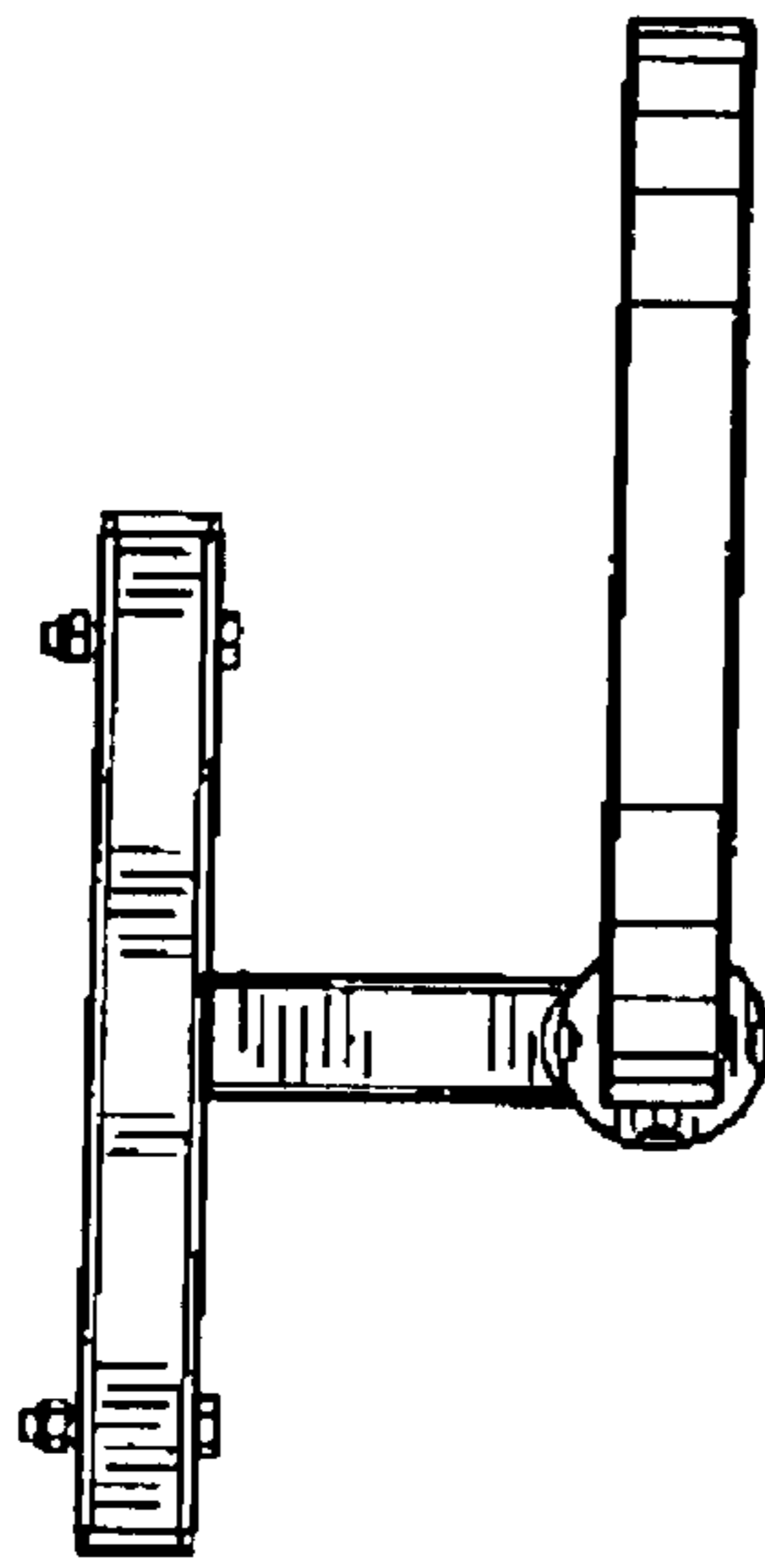


FIG. 7

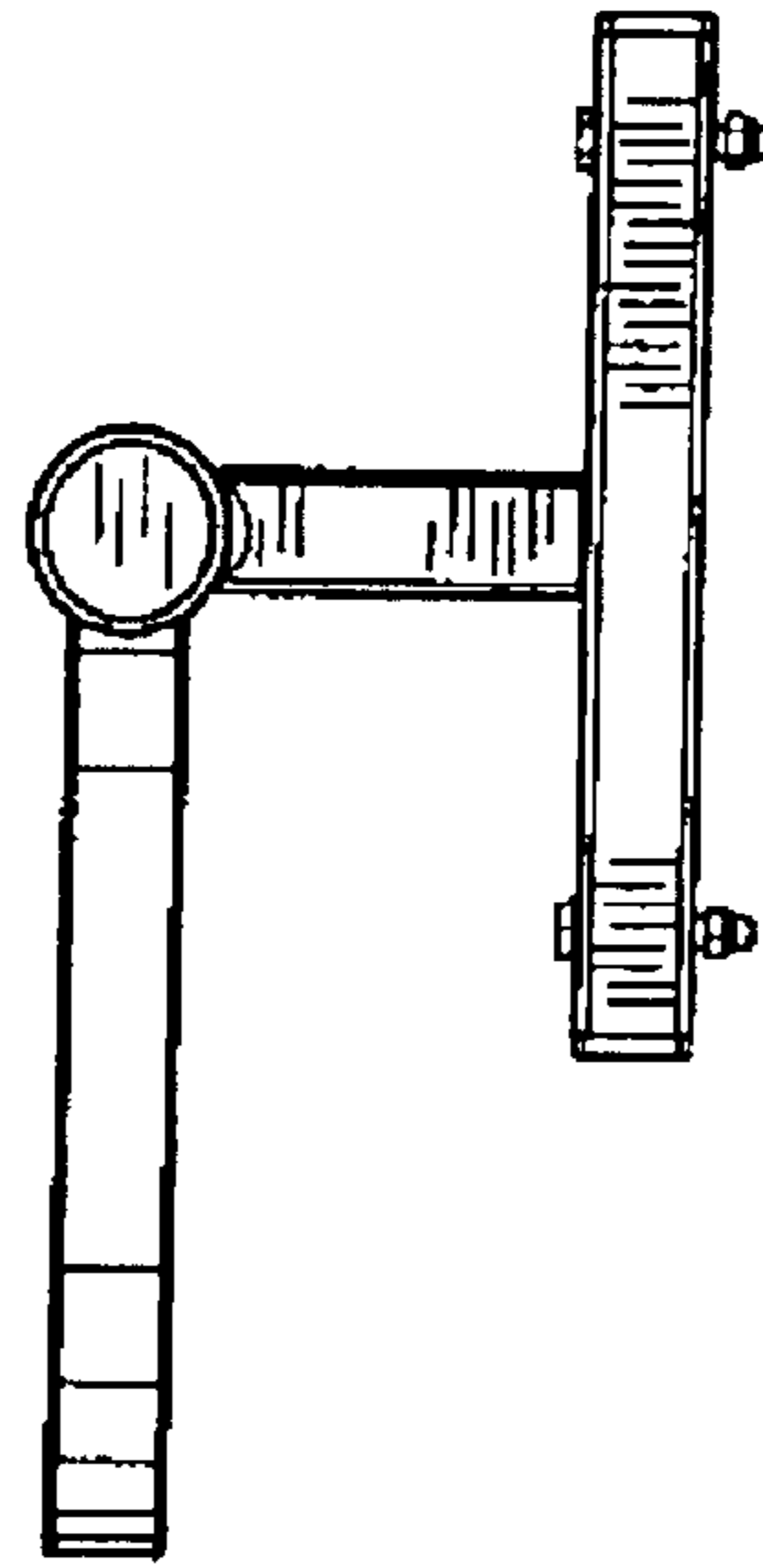


FIG. 8

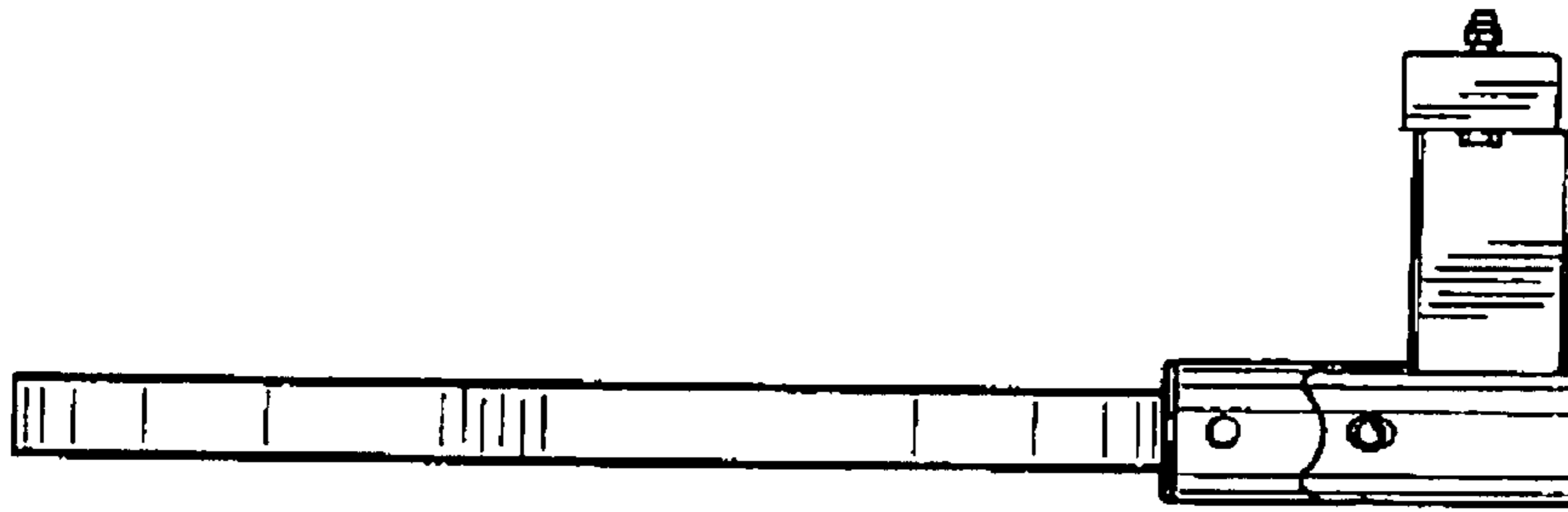


FIG. 5

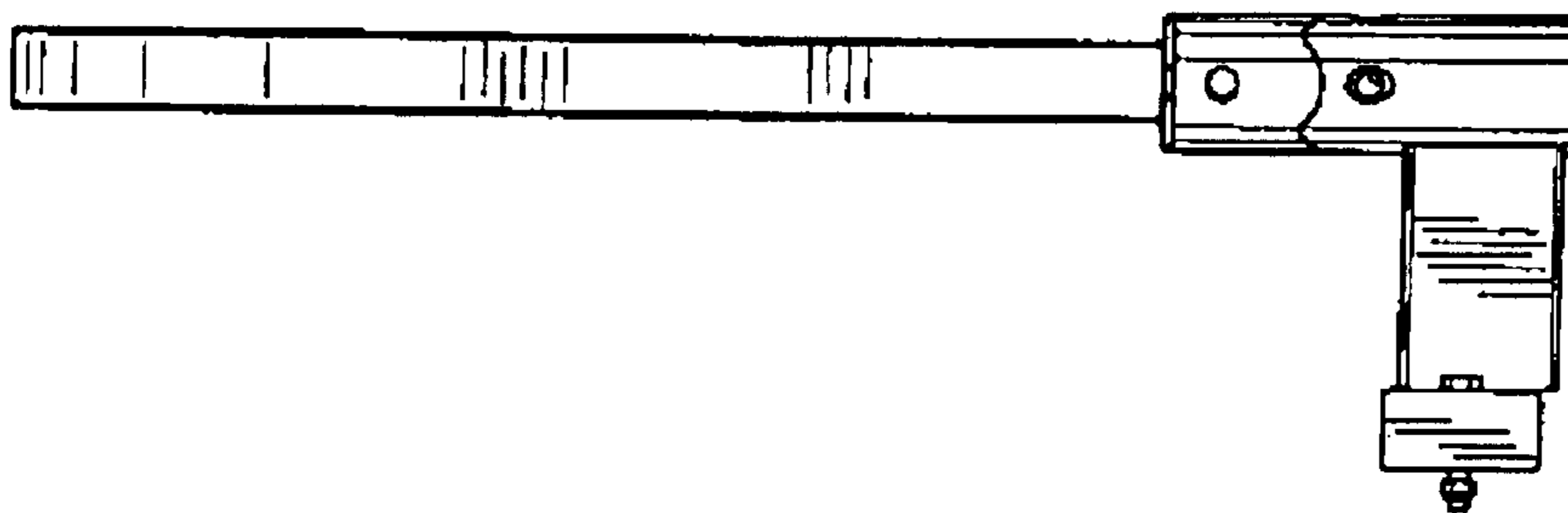


FIG. 4

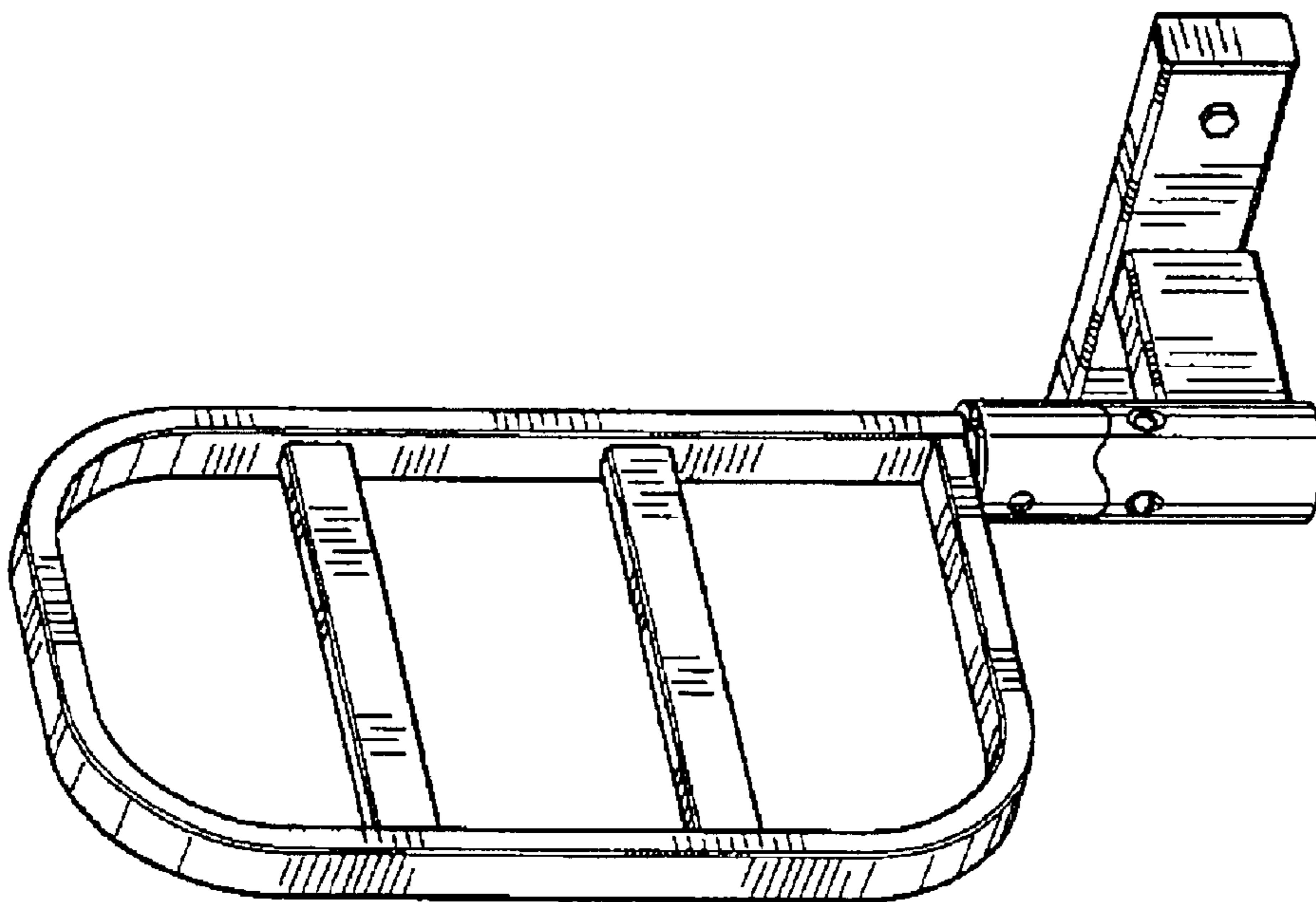


FIG. 9

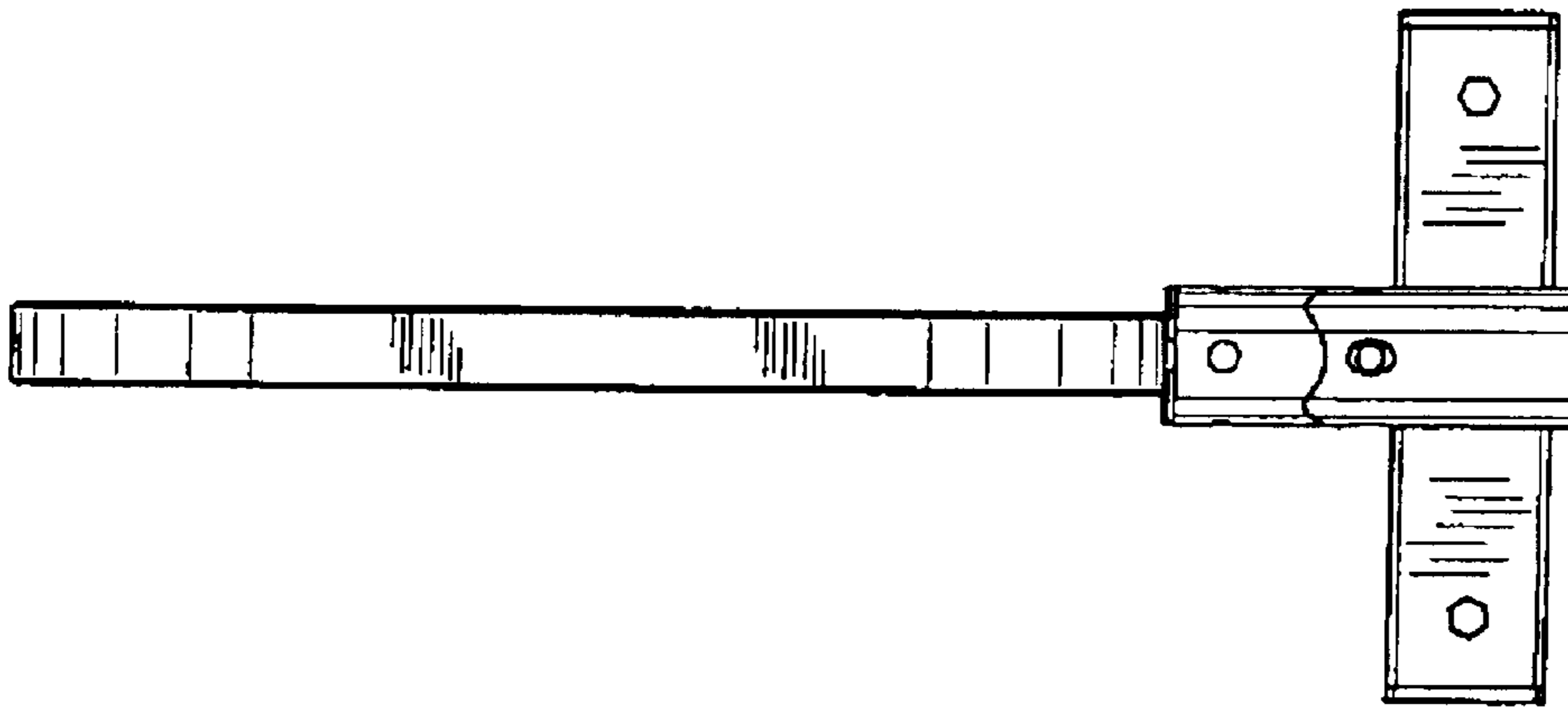


FIG. 10

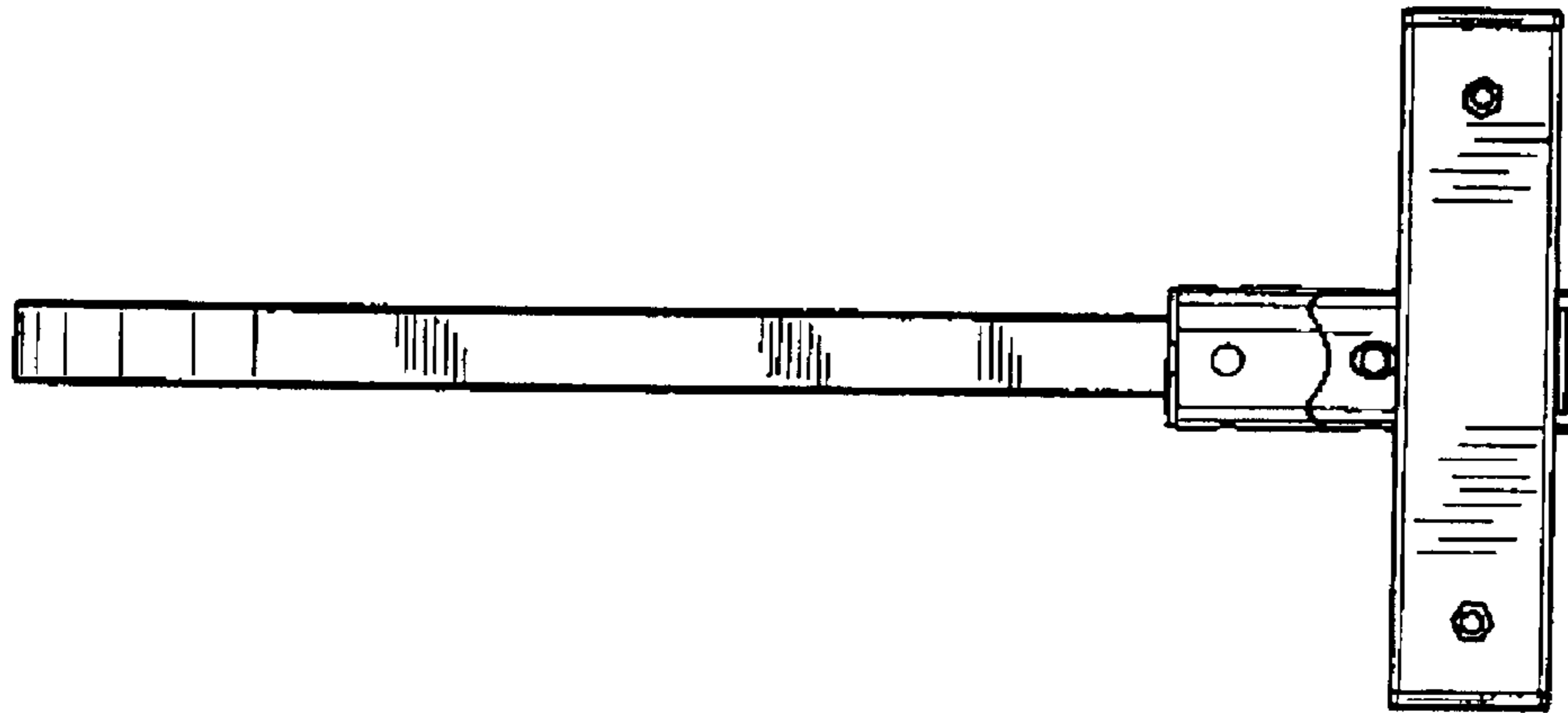


FIG. 13

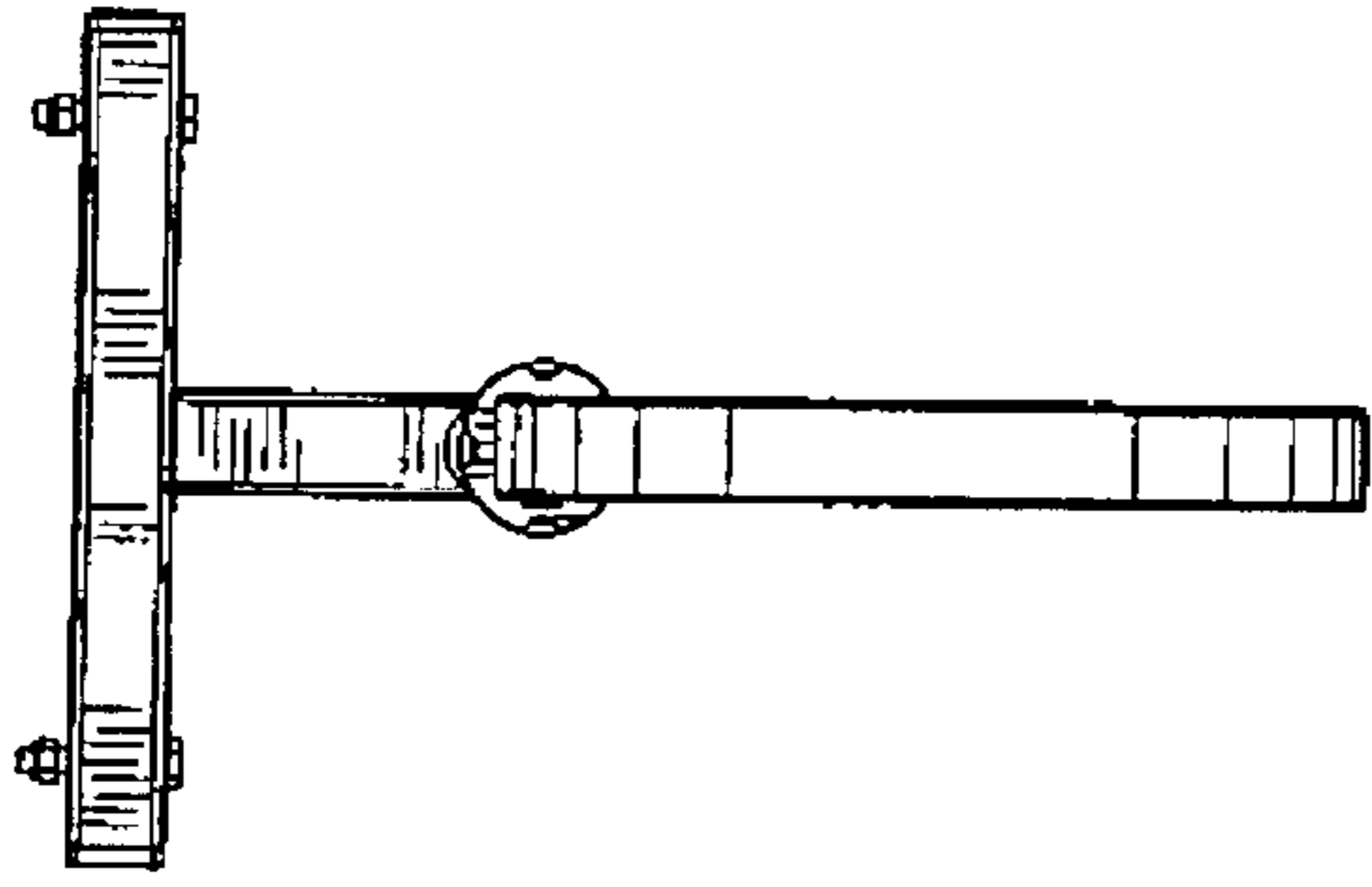


FIG. 14

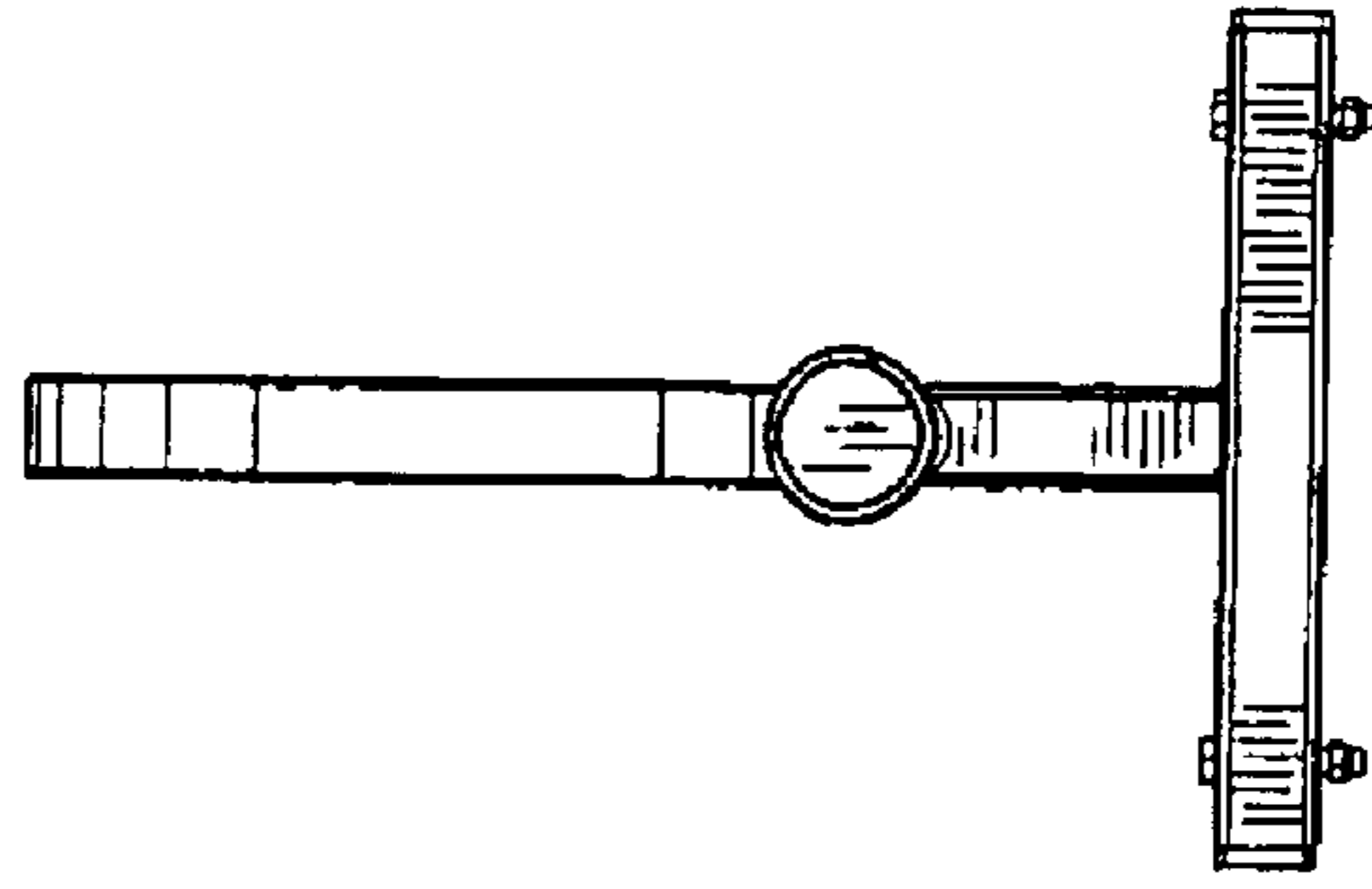


FIG. 15

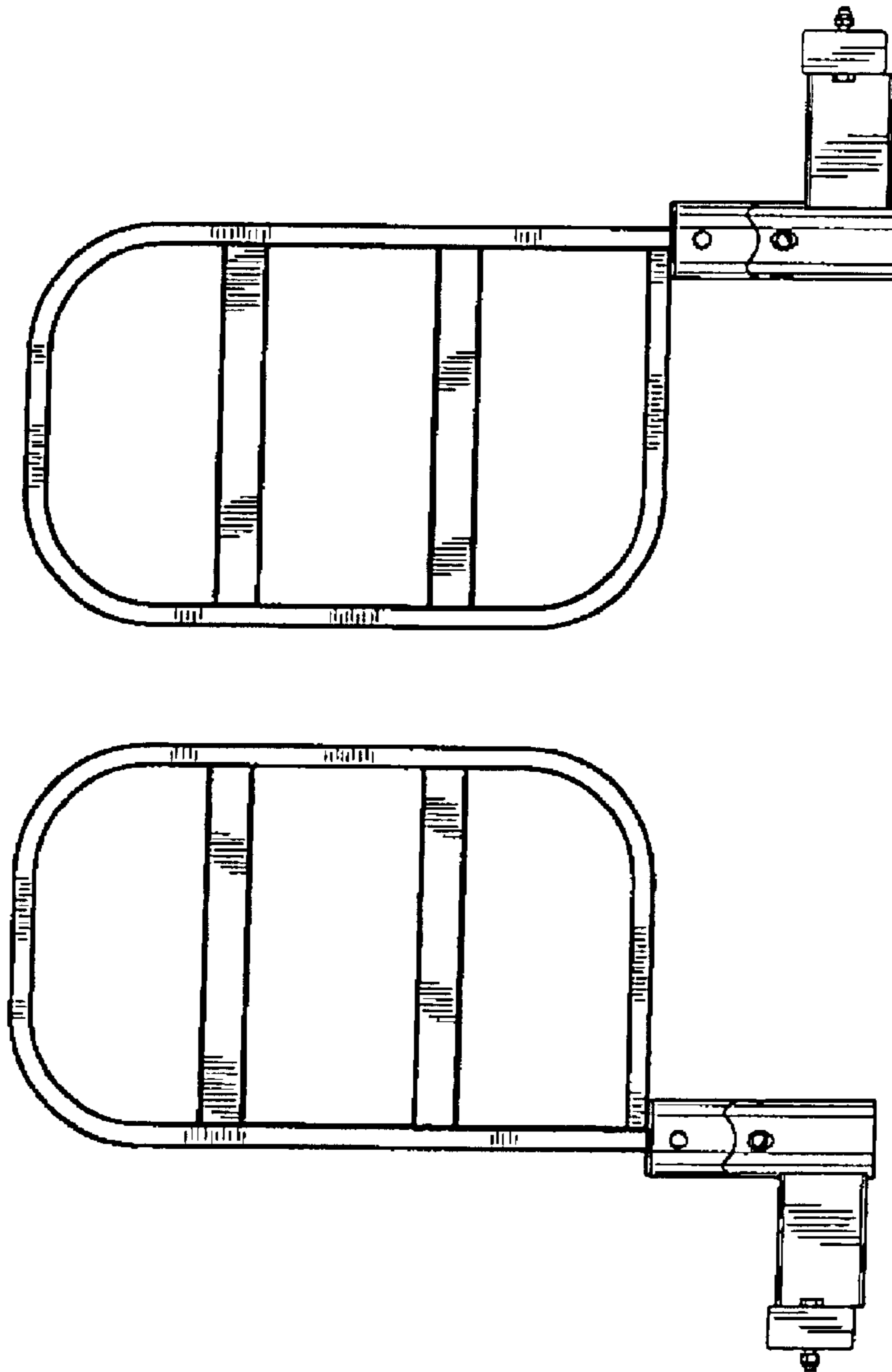


FIG. 11

FIG. 12

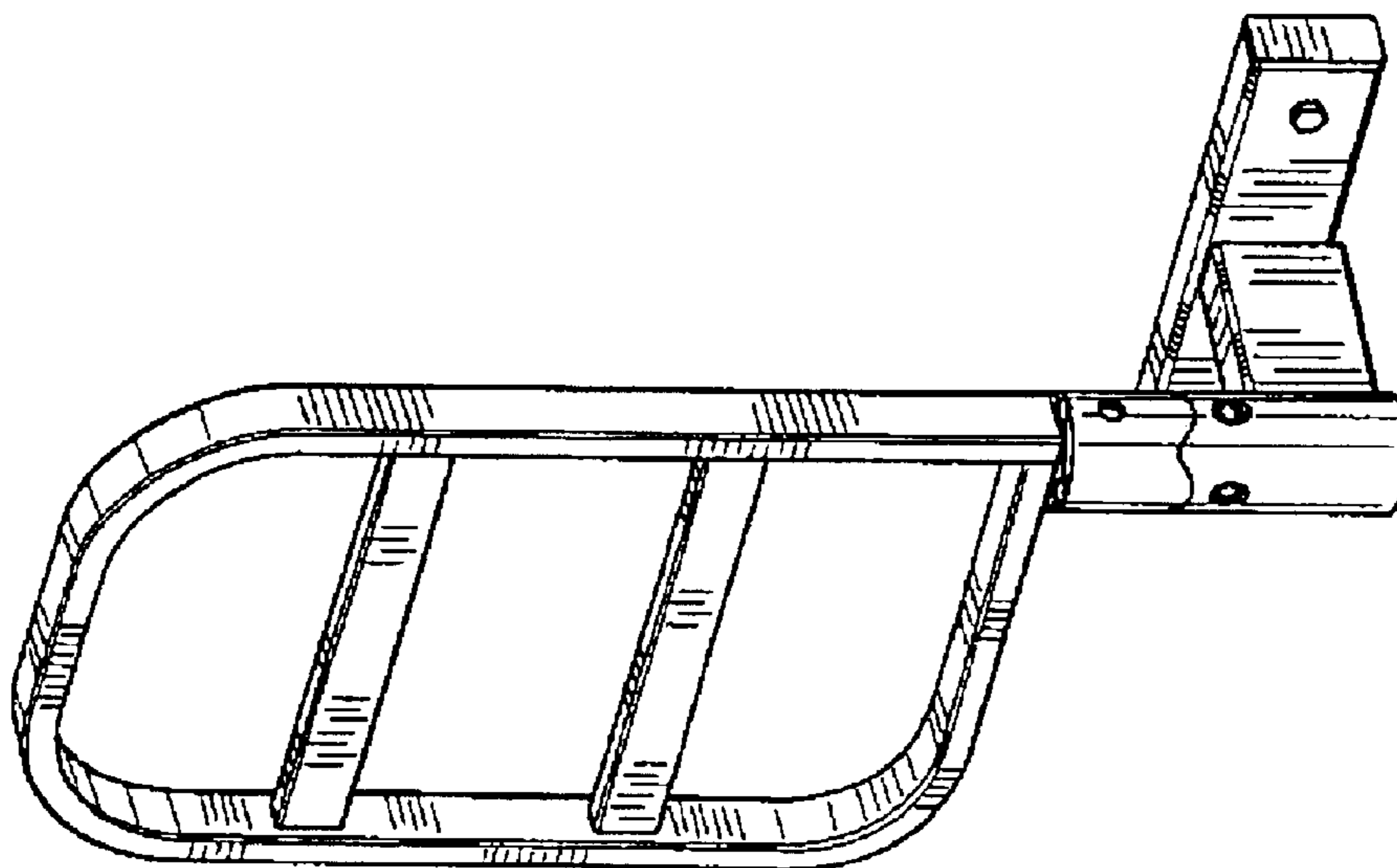


FIG. 16

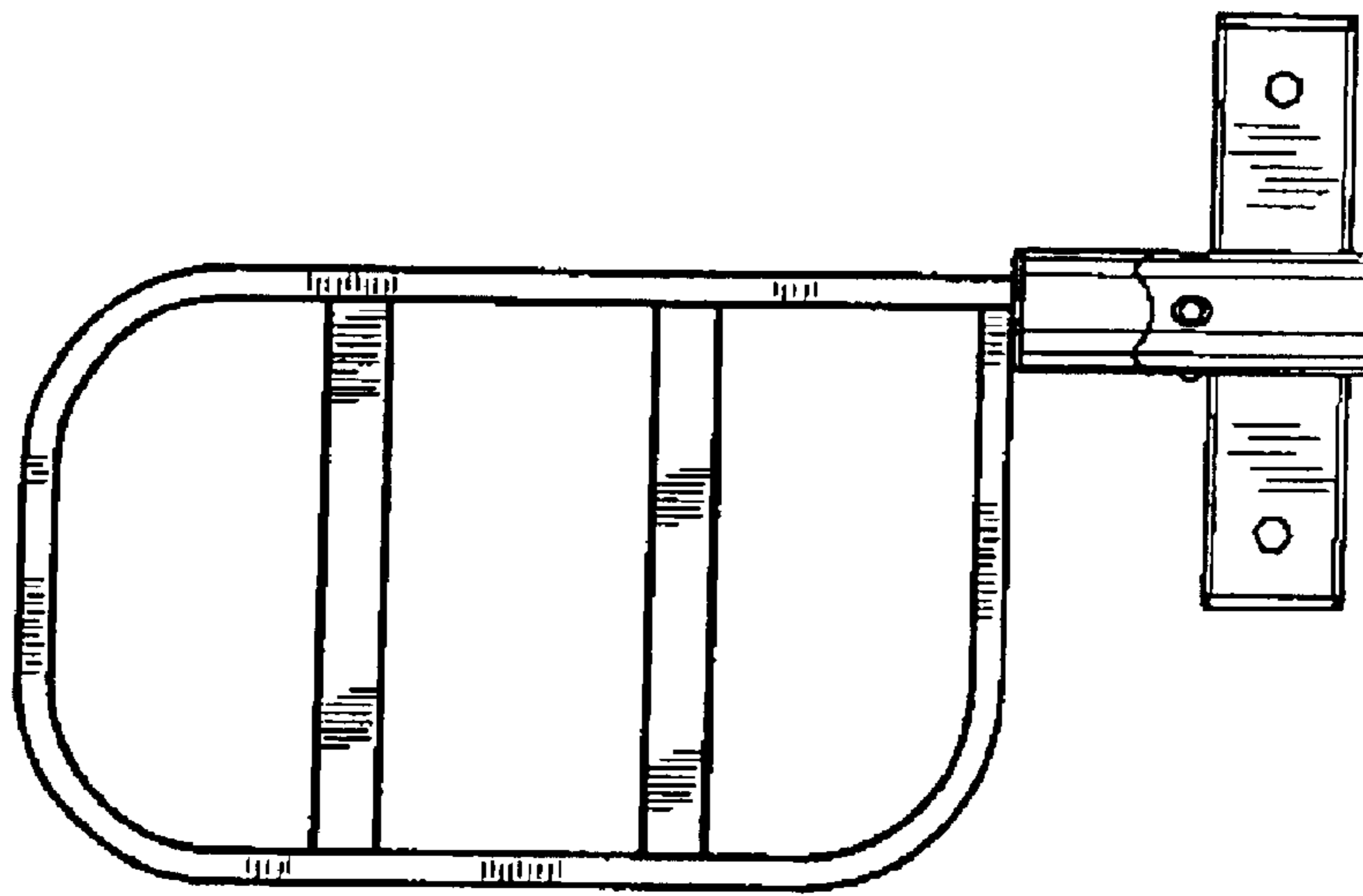


FIG. 17

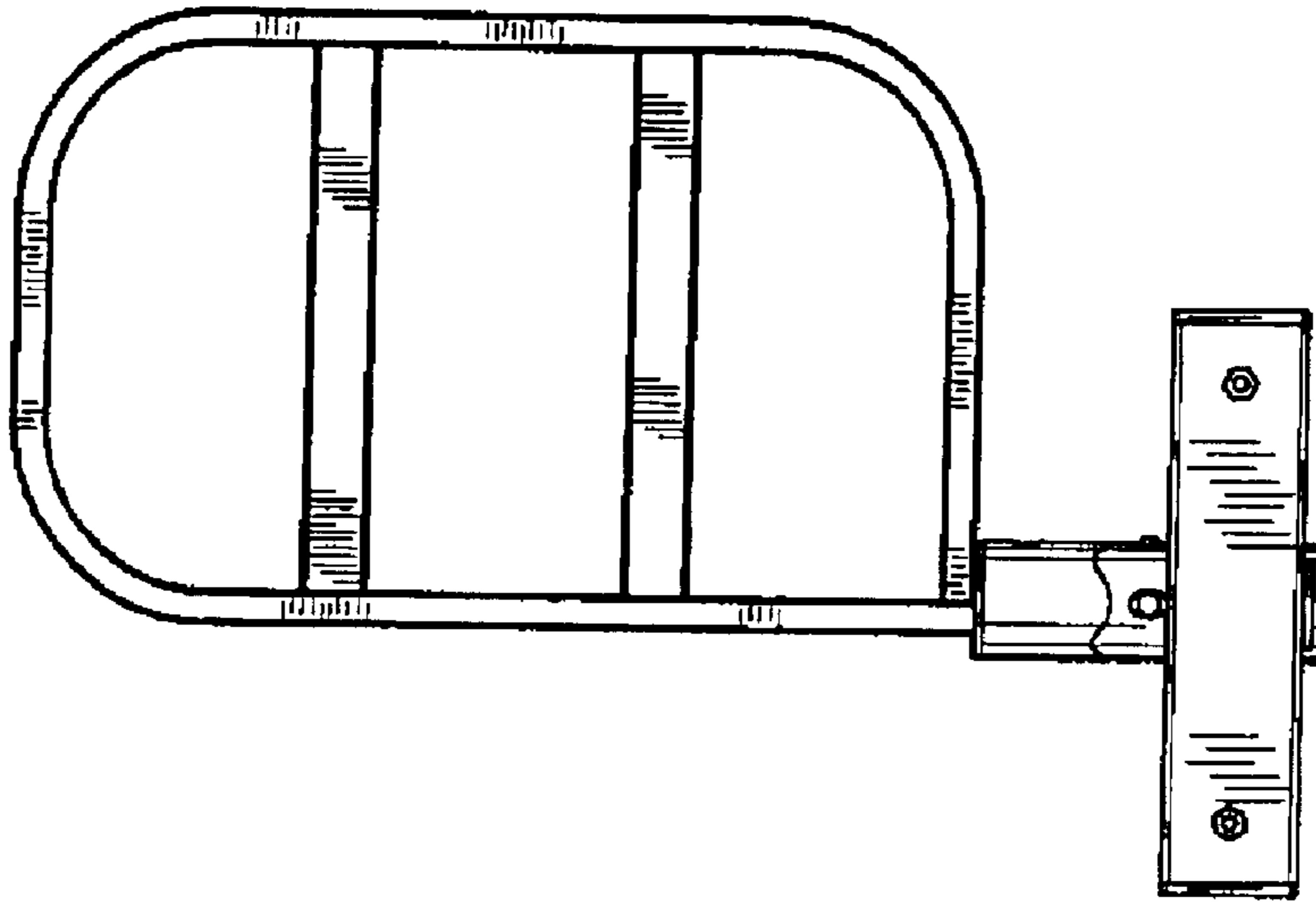


FIG. 20

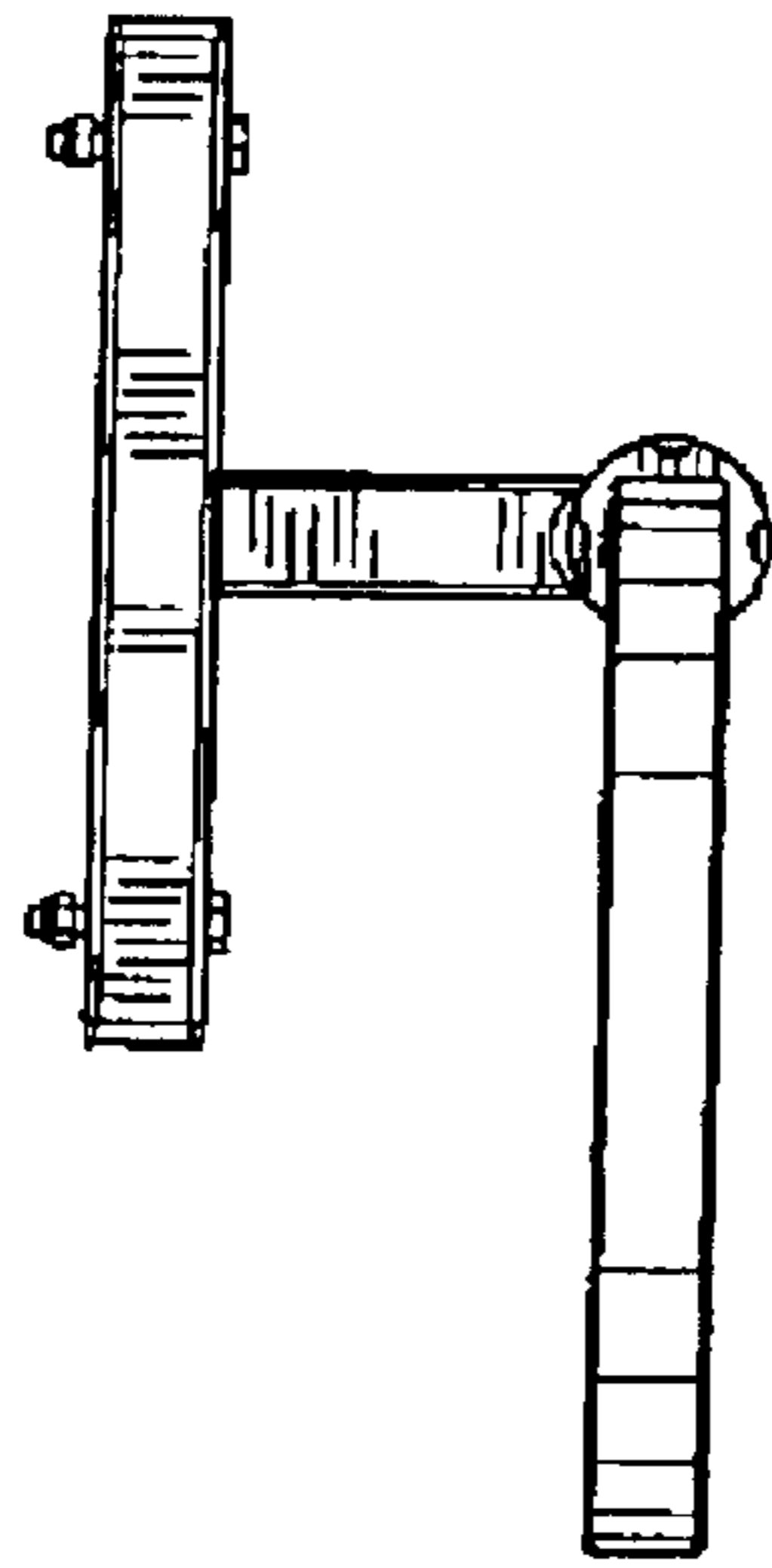


FIG. 21

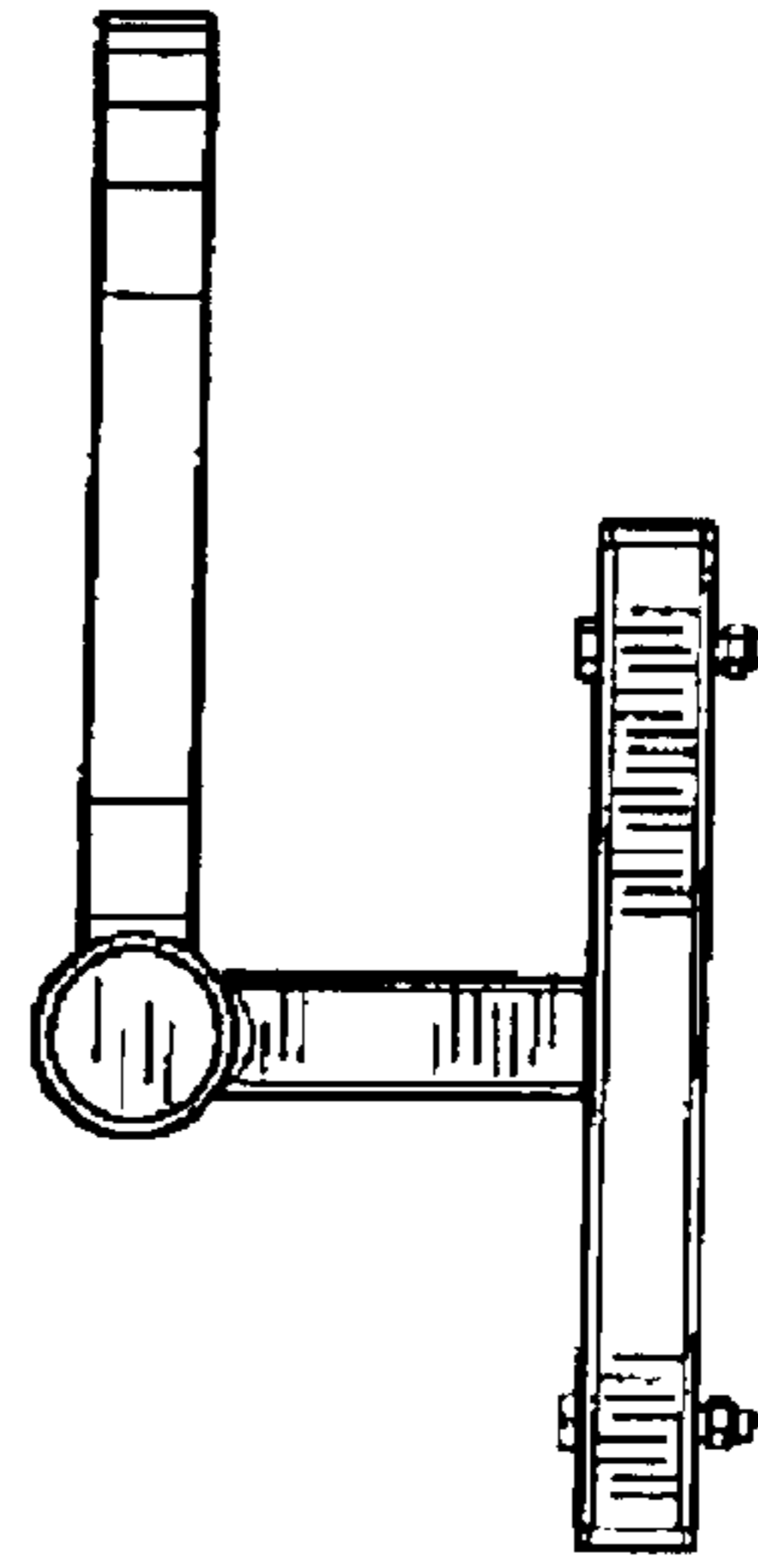


FIG. 22

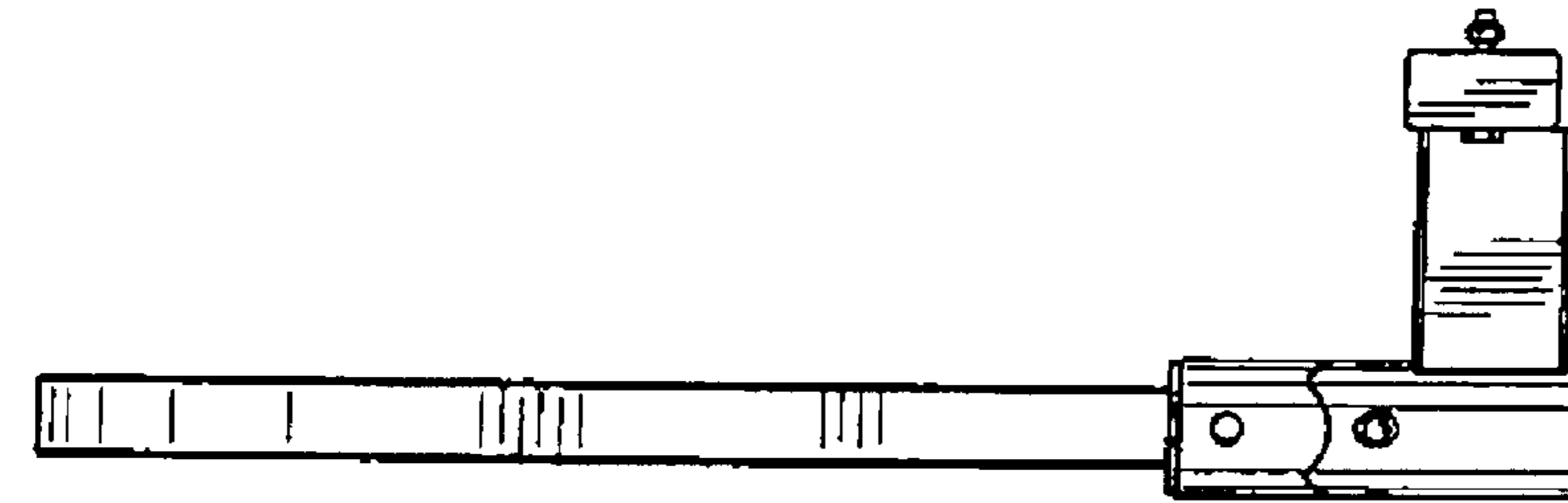


FIG. 19

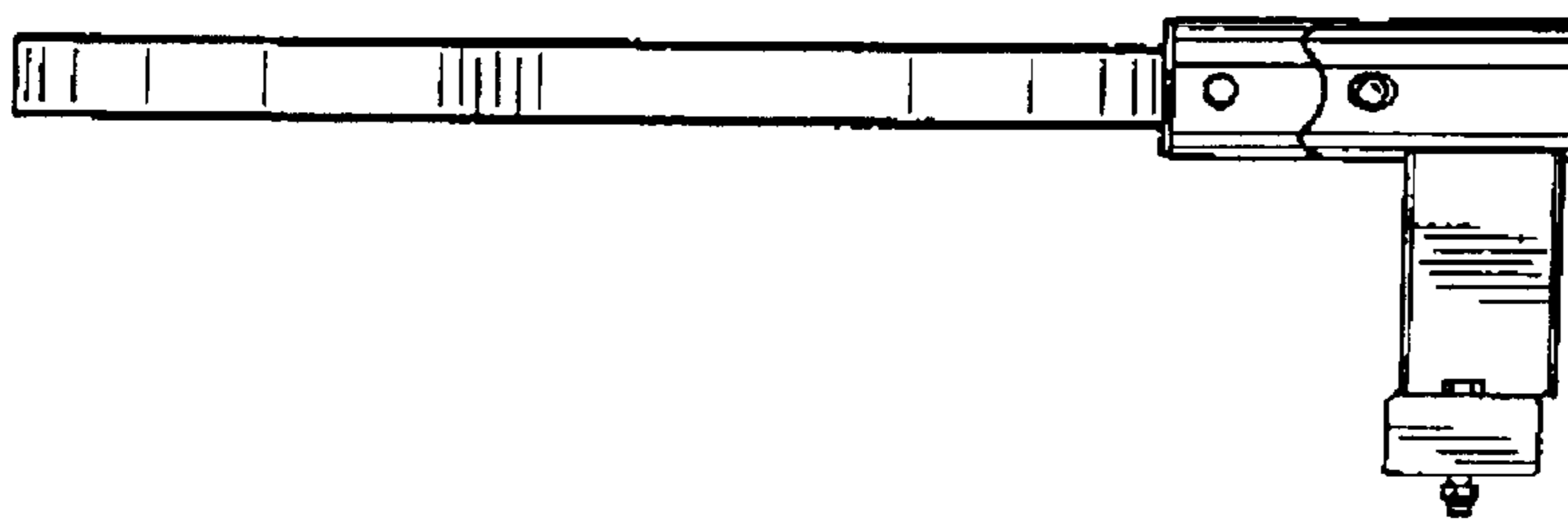


FIG. 18