



US00D520780S

(12) **United States Design Patent**
Sulzer

(10) **Patent No.:** **US D520,780 S**

(45) **Date of Patent:** **** May 16, 2006**

(54) **CASUAL TILTER**

(75) Inventor: **James H. Sulzer**, Cedarburg, WI (US)

(73) Assignee: **L&P Property Management Company**, South Gate, CA (US)

(**) Term: **14 Years**

(21) Appl. No.: **29/208,655**

(22) Filed: **Jul. 1, 2004**

(51) **LOC (8) Cl.** **06-01**

(52) **U.S. Cl.** **D6/500**

(58) **Field of Classification Search** D6/334–336,
D6/364, 365, 366, 374, 375, 379, 380, 500–502;
297/195.1, 300.1, 300.8, 301.7, 302.1, 303.1,
297/303.3, 452.1, 463.1, 463.2; 248/157,
248/415, 416, 560, 616, 619; D8/349, 374,
D8/380

See application file for complete search history.

(56) **References Cited**

U.S. PATENT DOCUMENTS

D169,485	S	5/1953	Higgins	
3,827,750	A	8/1974	Fantoni	
D272,017	S	* 1/1984	Keller D6/365
4,460,216	A	7/1984	Keller	
4,671,567	A	6/1987	Frobese	
D292,047	S	* 9/1987	Bitsch D6/365
4,711,491	A	* 12/1987	Ginat 297/300.5
D341,951	S	* 12/1993	Engel D6/366
5,267,777	A	12/1993	Valtri	
5,639,059	A	6/1997	Nash	
D411,097	S	6/1999	Brousseau et al.	
D422,814	S	4/2000	Sulzer D6/500
D446,033	S	* 8/2001	Koepke et al. D6/366
D471,024	S	* 3/2003	Chadwick et al. D6/366
D487,359	S	* 3/2004	Giugiaro D6/366
D487,545	S	* 3/2004	Frenkler et al. D6/366
D487,641	S	* 3/2004	James D6/366
D488,313	S	* 4/2004	Seiler D6/366
D489,191	S	* 5/2004	Ma D6/366
D489,542	S	* 5/2004	Giugiaro D6/366

D493,626	S	* 8/2004	James D6/366
D493,627	S	* 8/2004	Ma D6/366
D496,170	S	* 9/2004	Gamberini D6/366
D497,266	S	* 10/2004	Tai D6/366
D507,124	S	* 7/2005	Yang D6/366
D507,422	S	* 7/2005	Seiler D6/366
2003/0015902	A1	* 1/2003	Knoblock et al. 297/300.1
2004/0130195	A1	* 7/2004	DeKraker et al. 297/300.1

OTHER PUBLICATIONS

Drawing of Welded Prior Art Casual Chair Control, Undated.

Picture of Aluminum Casual Control, Undated.

* cited by examiner

Primary Examiner—Mimosa De

(74) *Attorney, Agent, or Firm*—Conley Rose, P.C.

(57) **CLAIM**

The ornamental design for a casual tilter, as shown and described.

DESCRIPTION

FIG. 1 is a perspective view of the casual tilter showing the new design with a chair illustrated in phantom as attached to the casual tilter to illustrate the manner of use of the casual tilter.

FIG. 2 is an enlarged perspective view of the new design.

FIG. 3 is a side elevation view of the new design, the opposite side being a mirror image thereof.

FIG. 4 is a top plan view of the new design.

FIG. 5 is a rear elevation view of the new design.

FIG. 6 is a front elevation view of the new design.

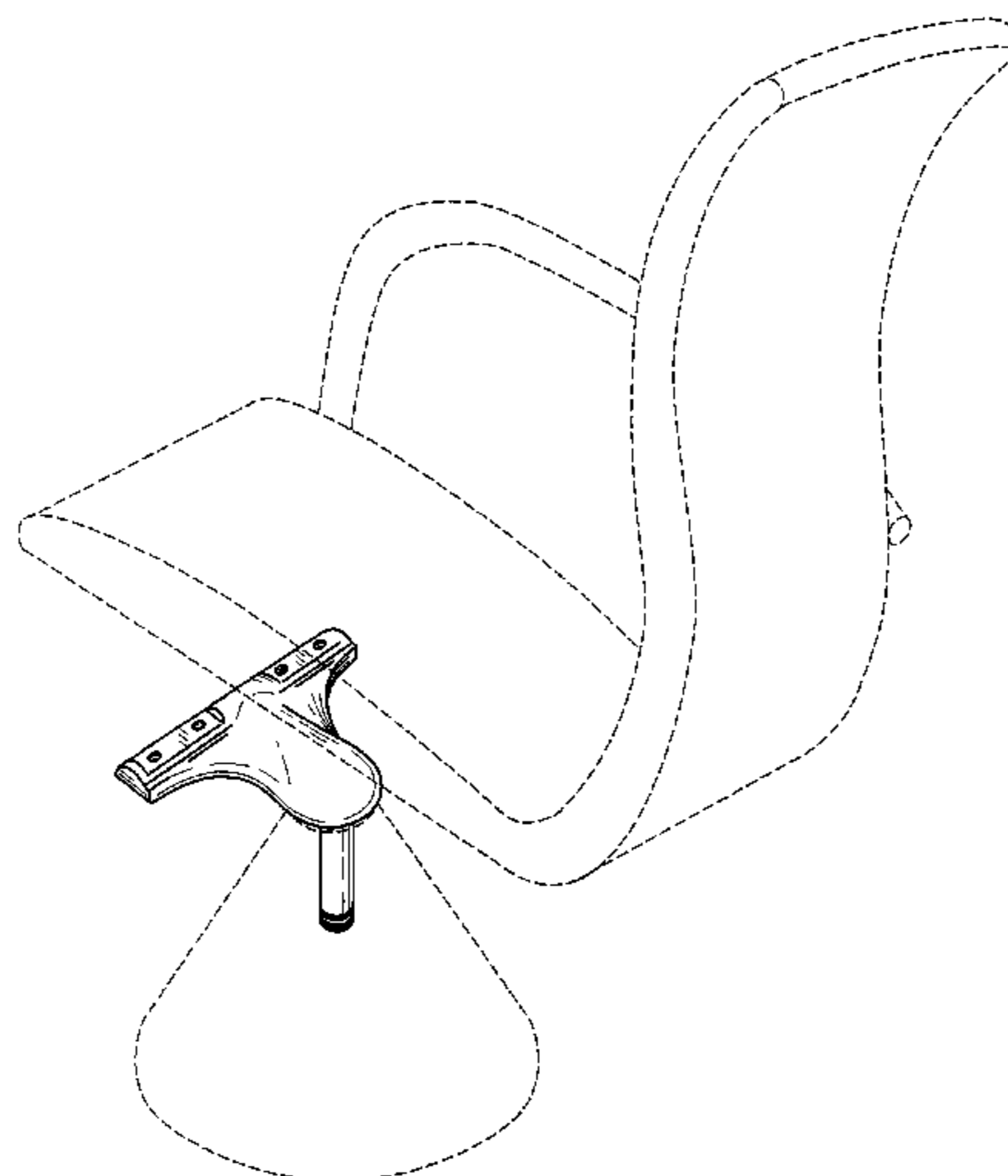
FIG. 7 is a bottom plan view of the new design.

FIG. 8 is a cross-section view of the new design taken along line 8—8 in FIG. 4.

FIG. 9 is a cross-section view of the new design taken along line 9—9 in FIG. 4; and,

FIG. 10 is a cross-section view of the new design taken along line 10—10 in FIG. 4.

1 Claim, 4 Drawing Sheets



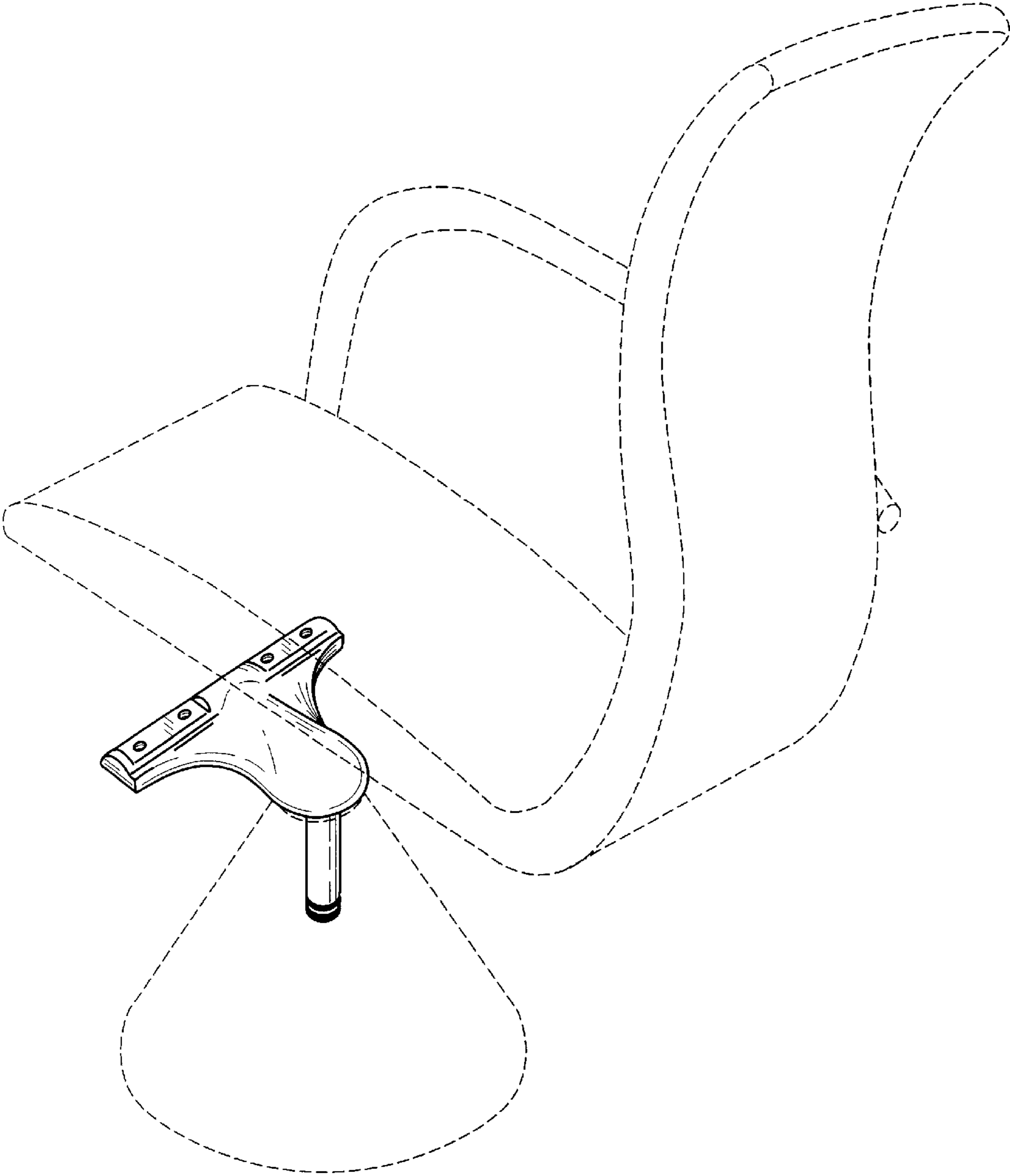


FIG. 1

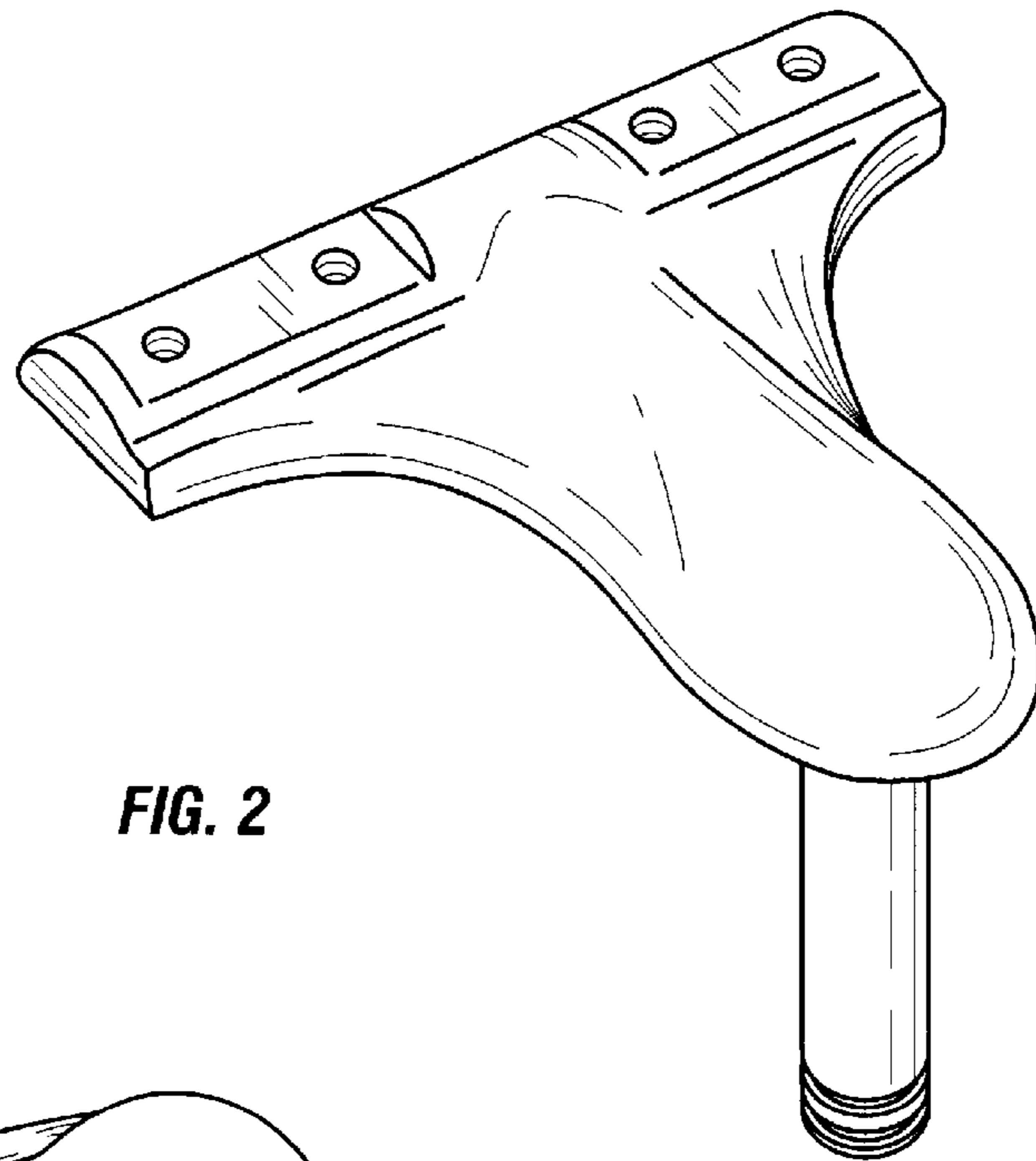


FIG. 2

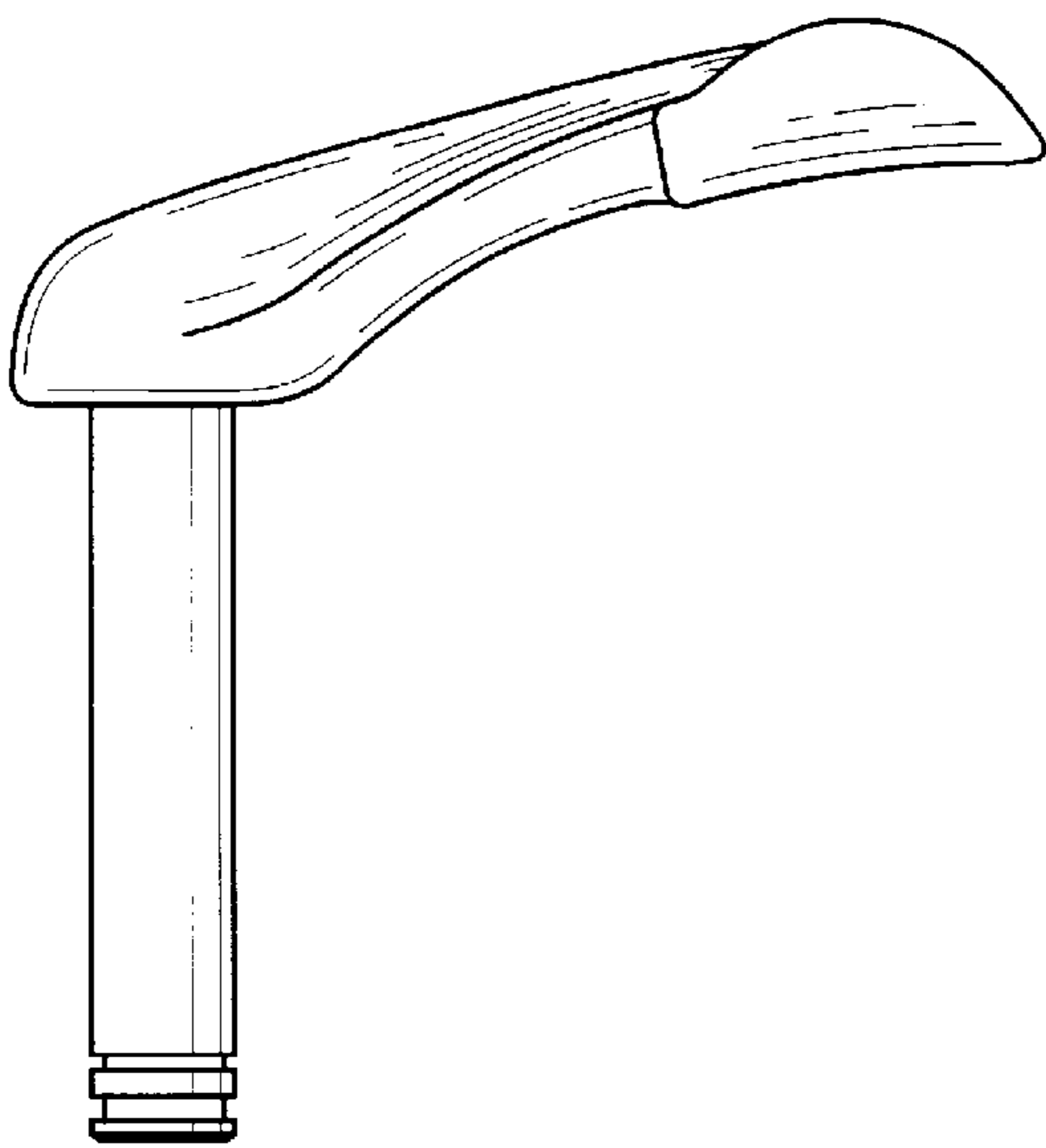


FIG. 3

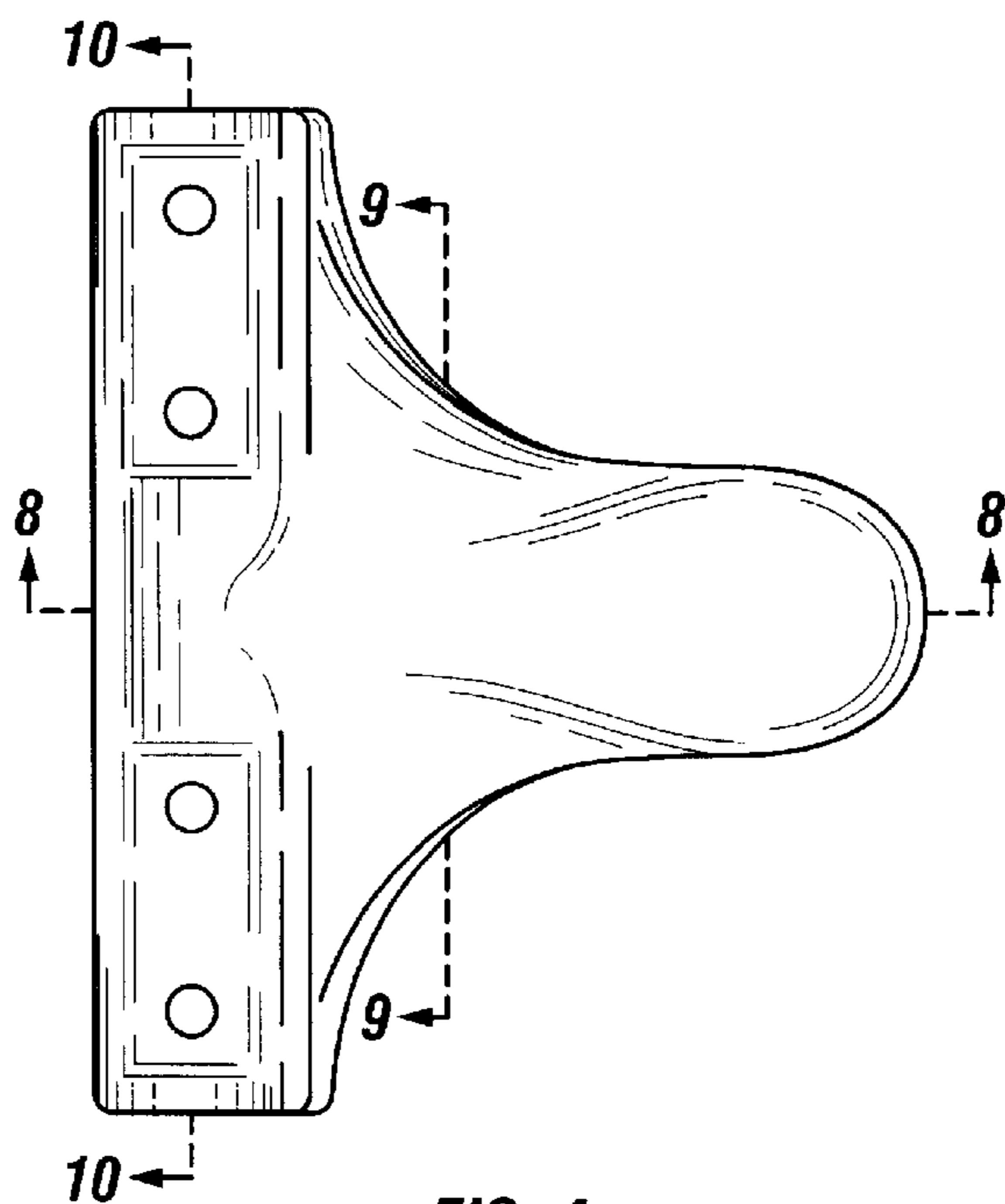


FIG. 4

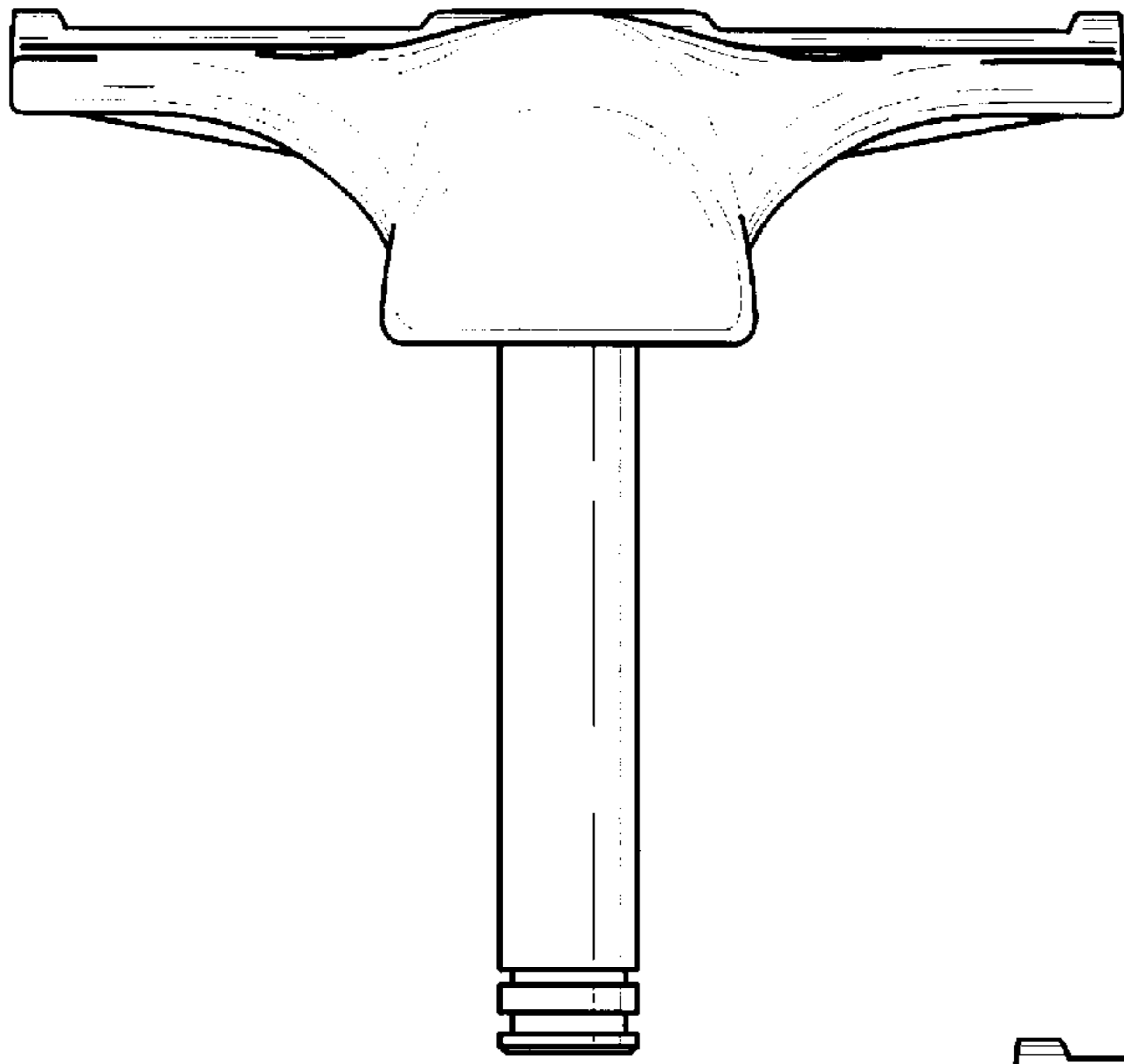


FIG. 5

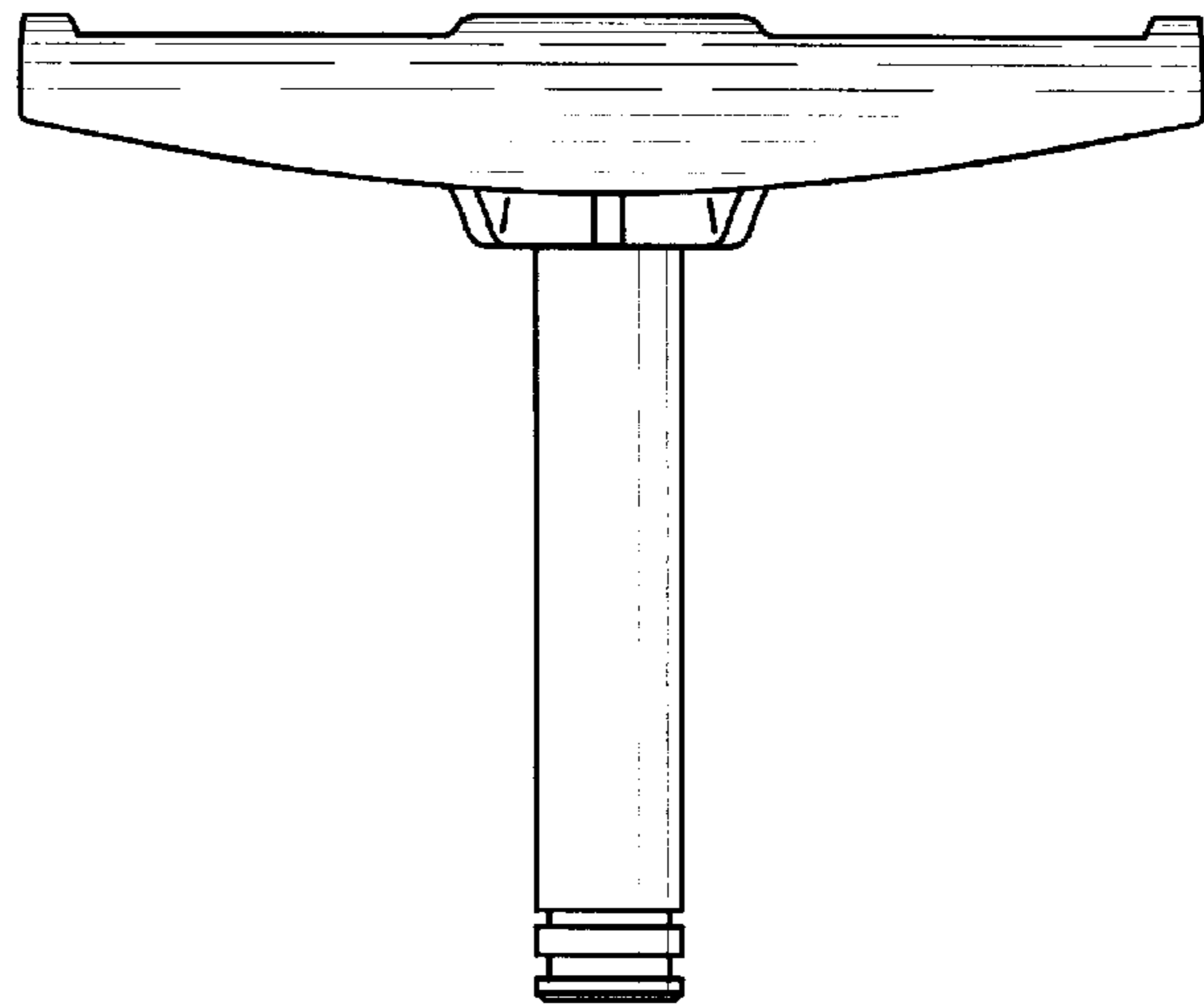


FIG. 6

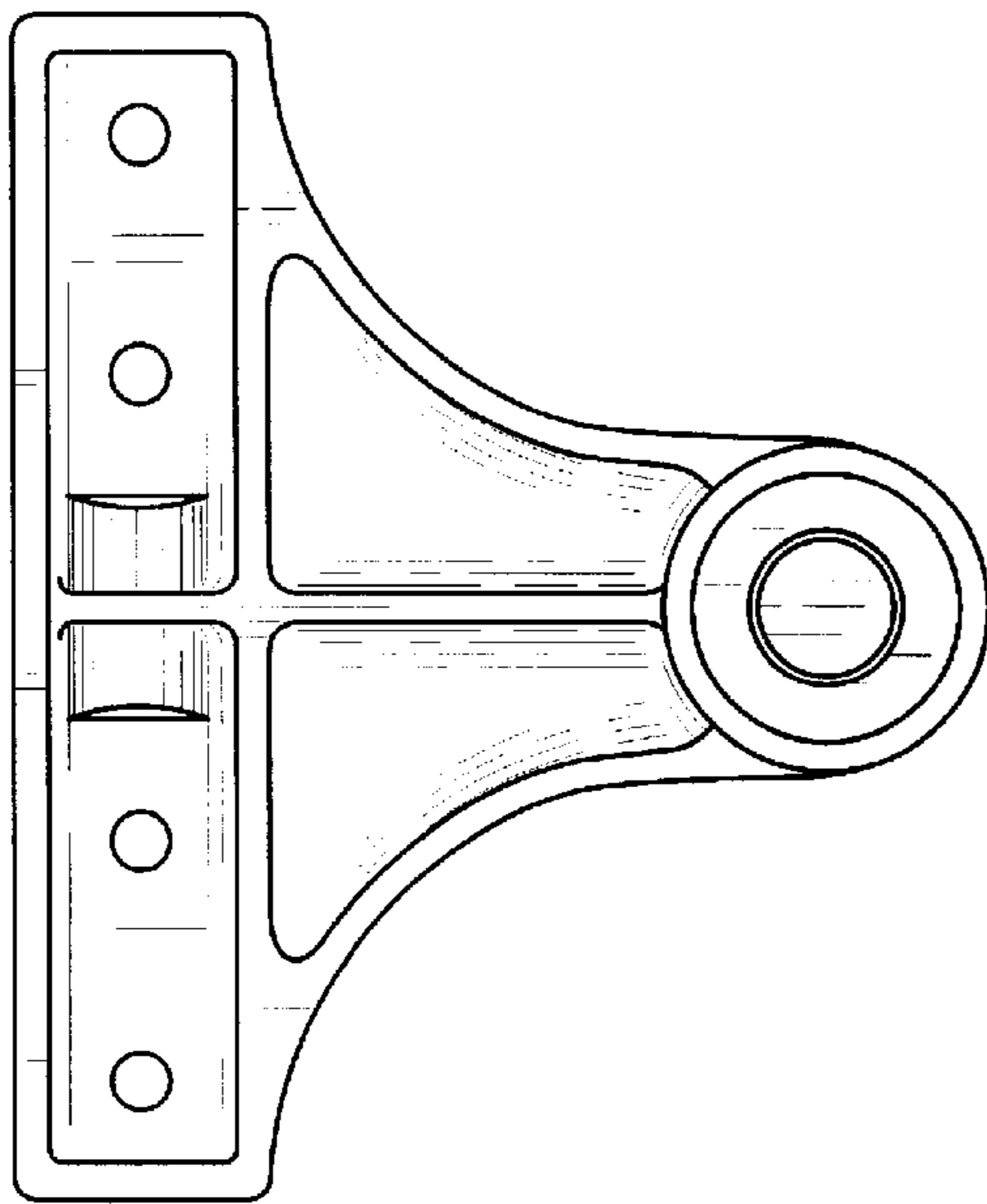


FIG. 7

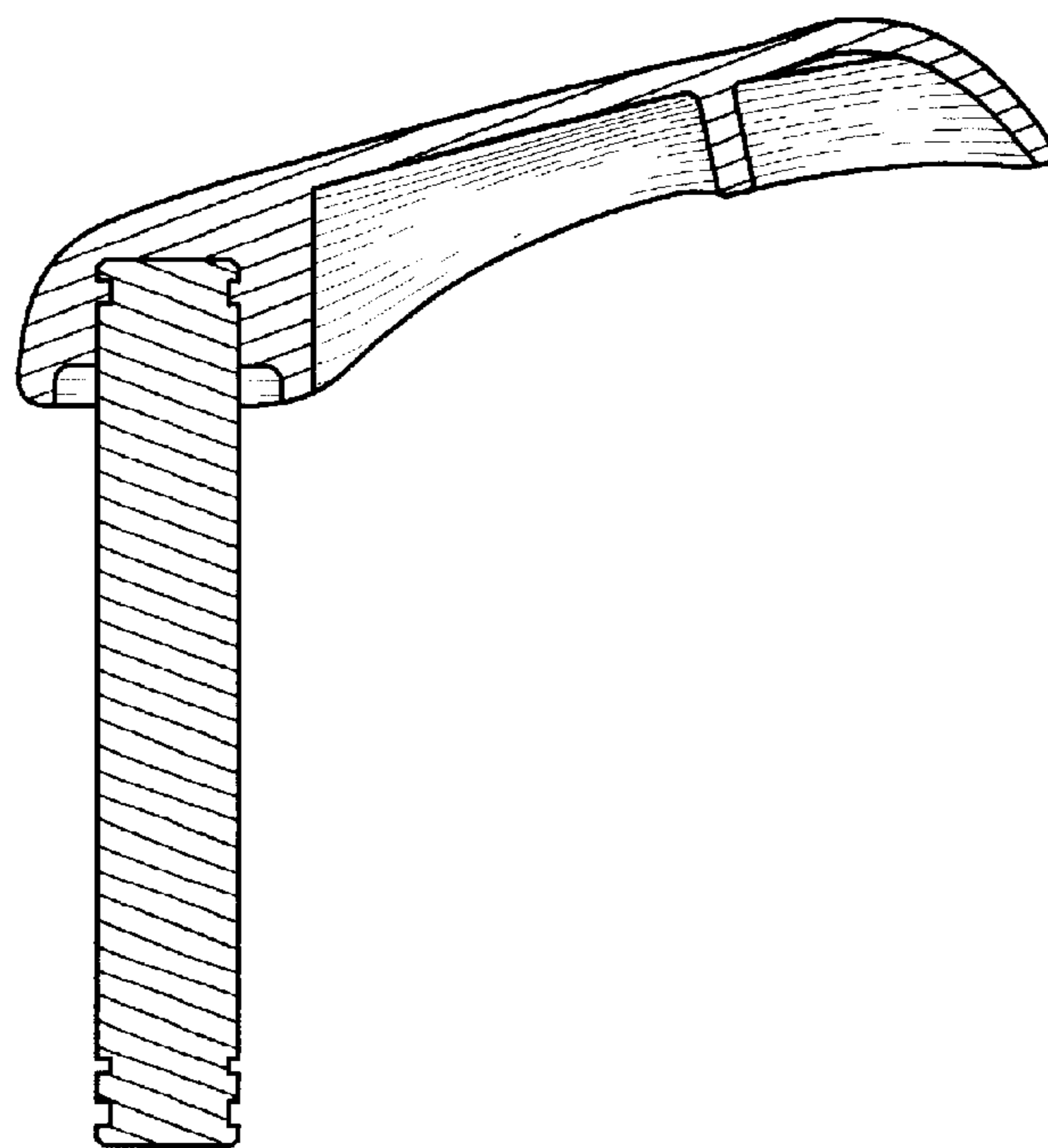


FIG. 8

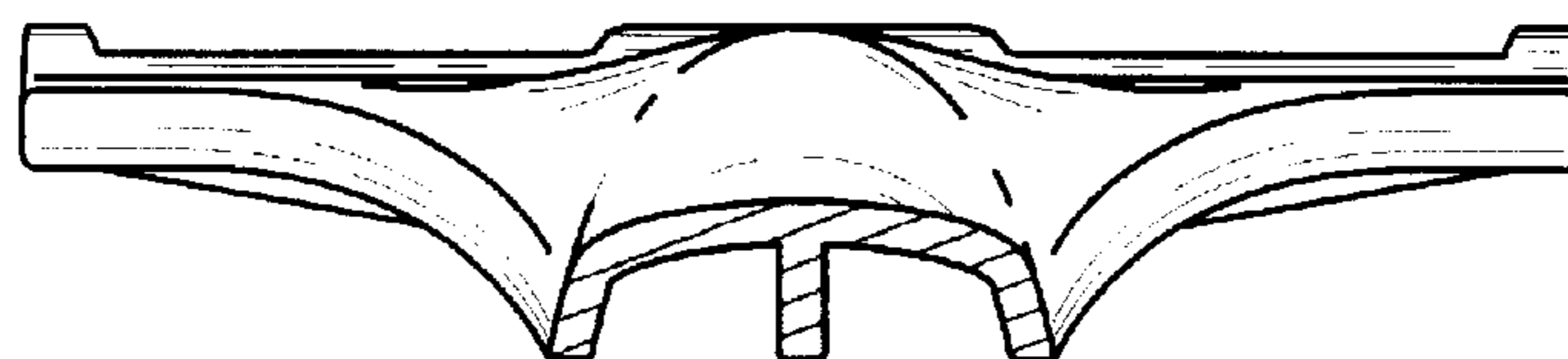


FIG. 9



FIG. 10