



US00D520779S

(12) **United States Design Patent** (10) **Patent No.:** **US D520,779 S**
DeBlois (45) **Date of Patent:** **** May 16, 2006**

(54) **FURNITURE**

D452,624 S 1/2002 de Blois

(75) Inventor: **Martin DeBlois**, Manhattan Beach, CA (US)

(73) Assignee: **Baronet, Inc.** (CA)

(**) Term: **14 Years**

(21) Appl. No.: **29/213,901**

(22) Filed: **Sep. 24, 2004**

(51) **LOC (8) Cl.** **06-03**

(52) **U.S. Cl.** **D6/484**

(58) **Field of Classification Search** D6/480-489,
D6/495-499, 474, 479; 108/150, 153.1, 155,
108/156, 157.1, 161; 248/188, 188.1, 188.8,
248/188.9

See application file for complete search history.

(56) **References Cited**

U.S. PATENT DOCUMENTS

D121,062 S	6/1940	Bach	
D244,114 S	* 4/1977	Neff	D6/484
D273,829 S	* 5/1984	Desnoyers	D6/484
D355,798 S	* 2/1995	Goetz	D6/479
D435,745 S	* 1/2001	Lovell	D6/495
D443,442 S	* 6/2001	Hutton	D6/484
D450,492 S	11/2001	Sabo et al.	

OTHER PUBLICATIONS

Furniture Today—The List—Winter 2001, p. 25, DINEC Ad, Furniture Foot at top right.*
Baronet Java Brochure, Jul. 1997, cover & back pages and page with item #602 table at bottom left.
Imperial Tables, 1957-1958, p. 30, #1257 table at top right.

* cited by examiner

Primary Examiner—Janice E. Seeger

(74) *Attorney, Agent, or Firm*—Saidman DesignLaw Group

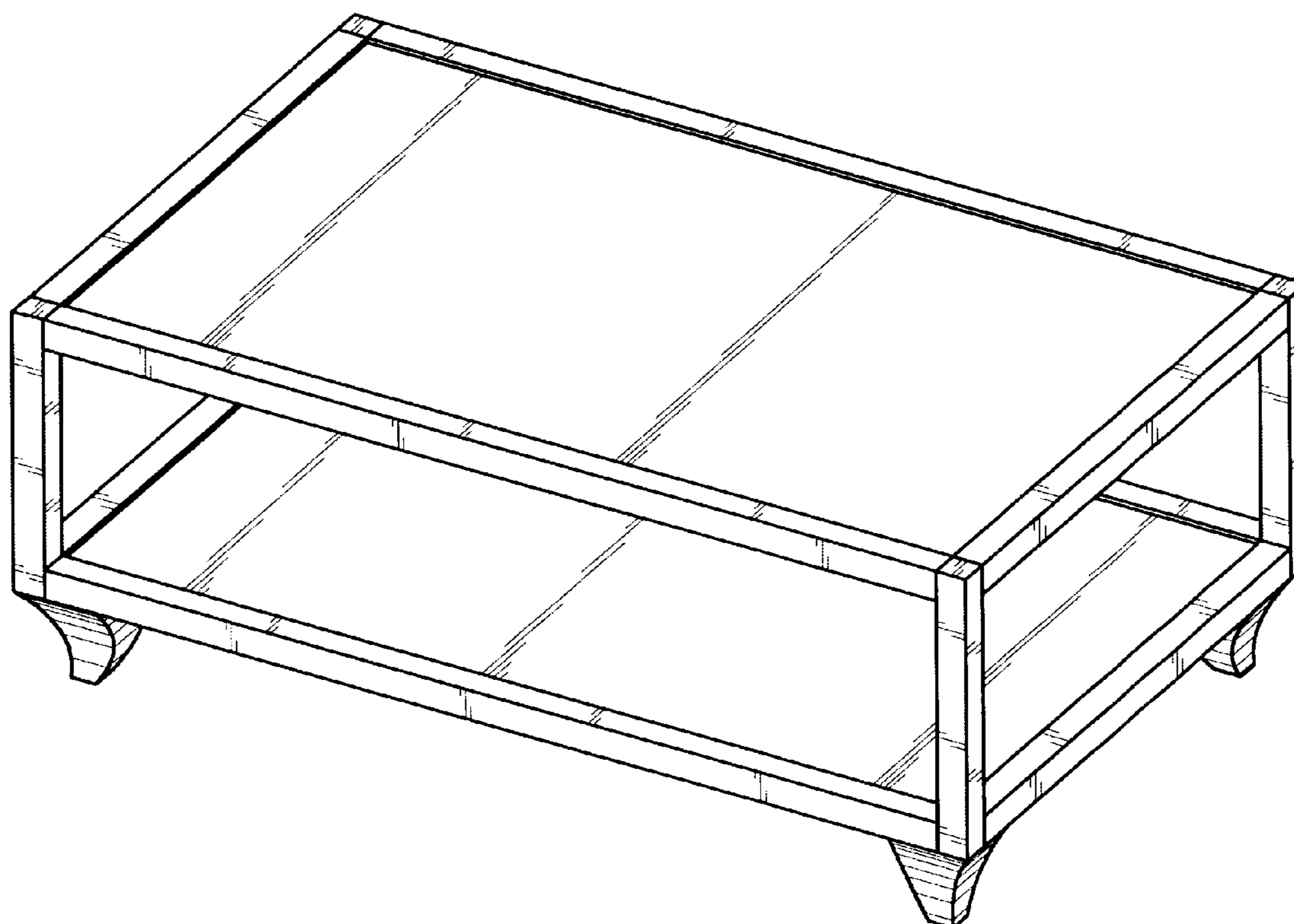
(57) **CLAIM**

The ornamental design for furniture, as shown and described.

DESCRIPTION

FIG. 1 is a perspective view of a first embodiment of furniture showing my new design;
FIG. 2 is a top view thereof;
FIG. 3 is a front view thereof, the rear view being identical;
FIG. 4 is a right-side view thereof, the left-side view being identical; and,
FIG. 5 is a perspective view of a second embodiment of furniture showing my new design.

1 Claim, 4 Drawing Sheets



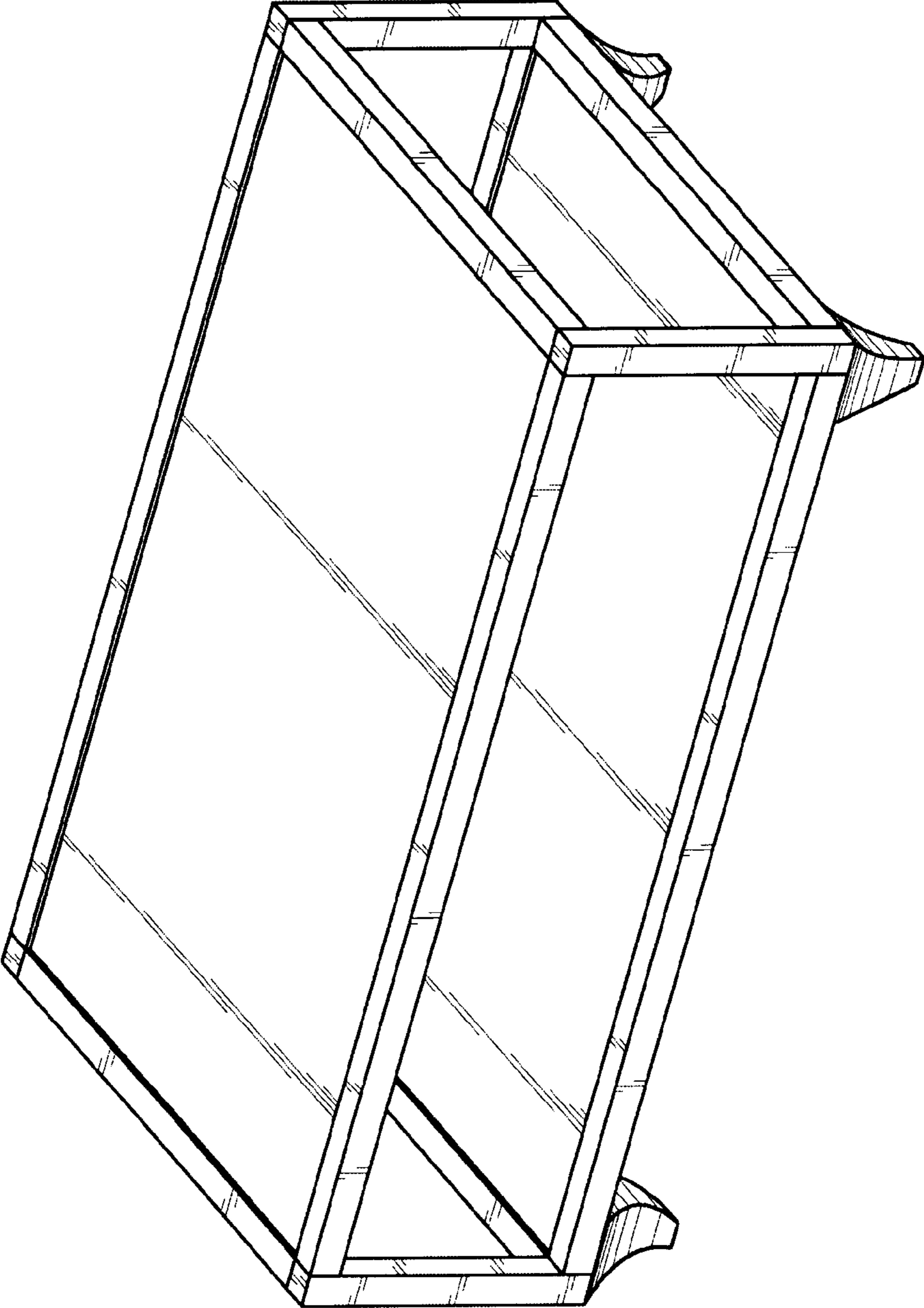


Fig. 1

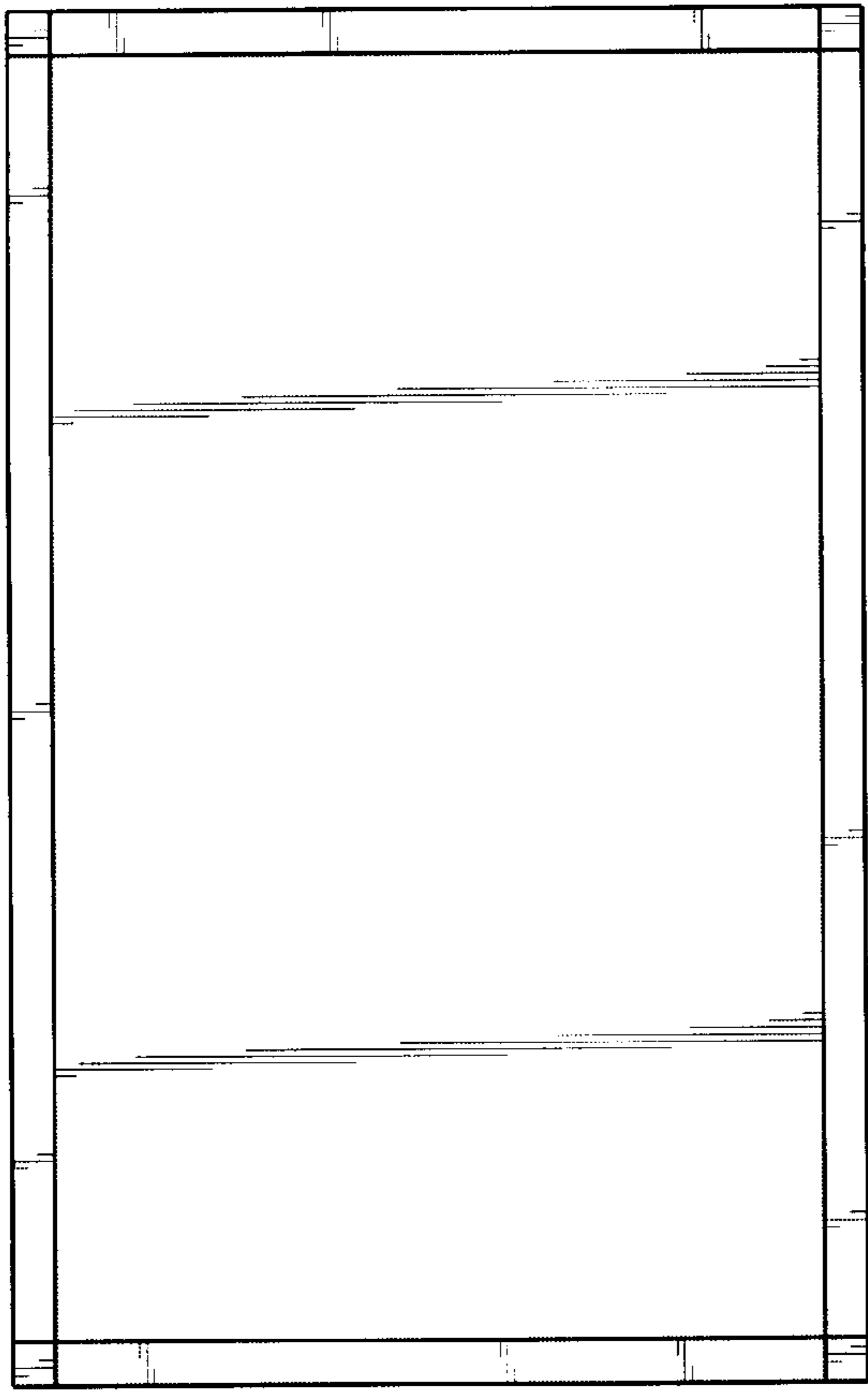


Fig. 2

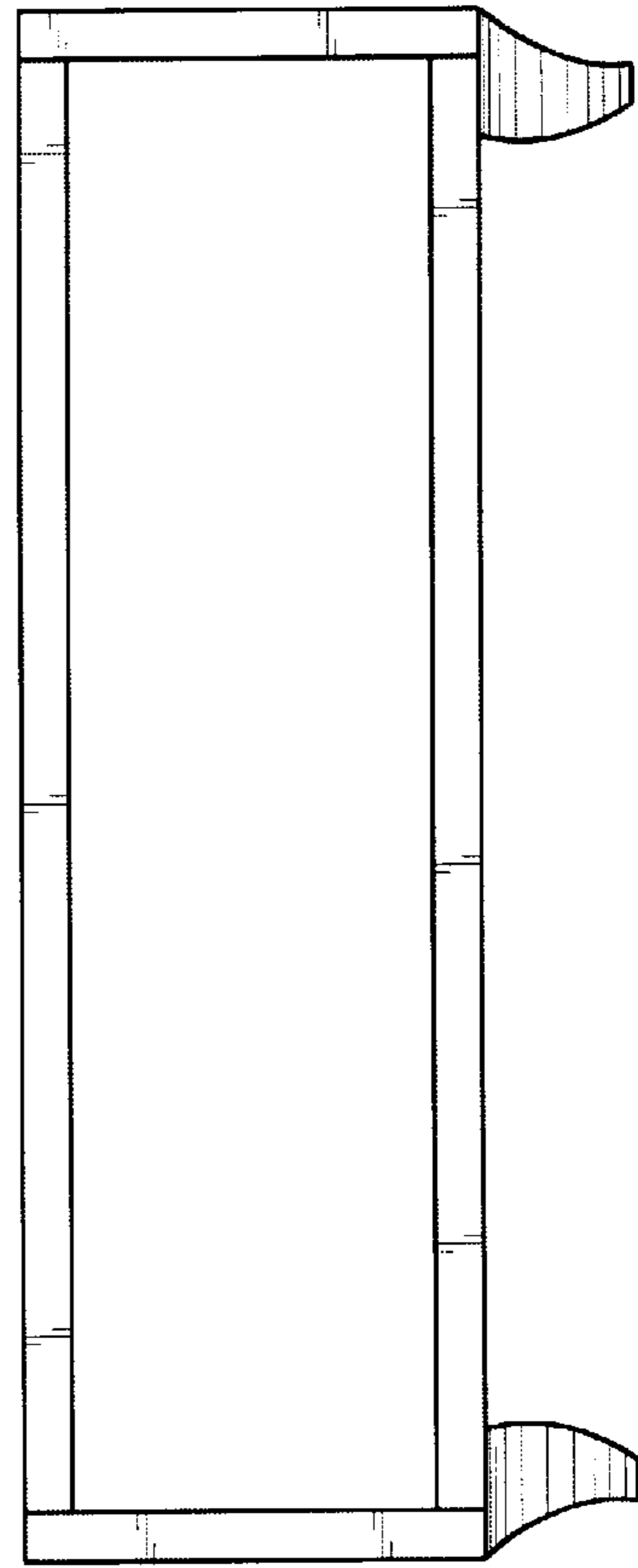


Fig. 3

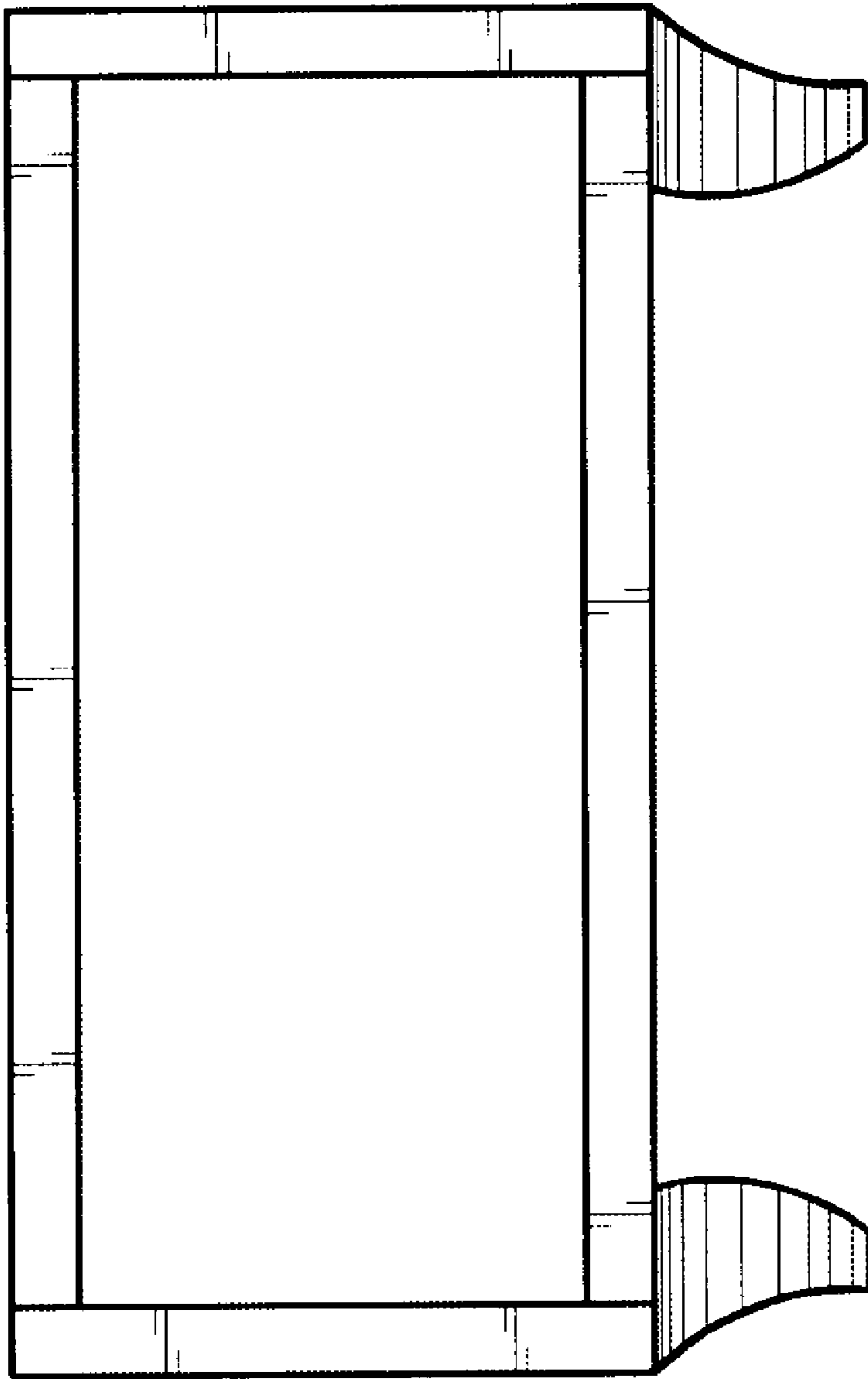


Fig. 4

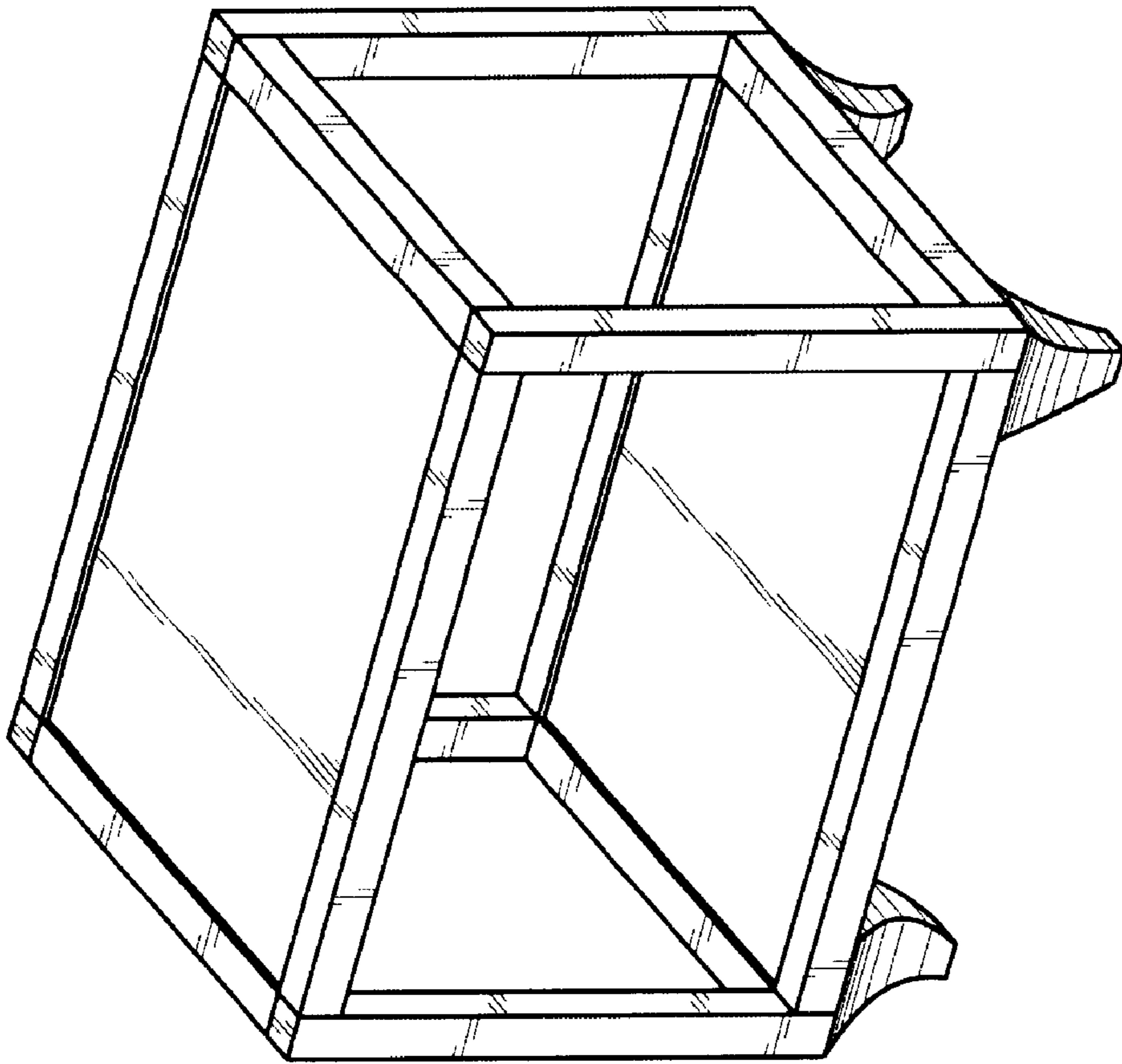


Fig. 5