



US00D520778S

(12) **United States Design Patent**
Lenger

(10) **Patent No.:** **US D520,778 S**

(45) **Date of Patent:** **** *May 16, 2006**

(54) **FURNITURE COMPONENT**

(75) Inventor: **Sidney A. Lenger**, Kernersville, NC
(US)

(73) Assignee: **American Signature, Inc.**, Columbus,
OH (US)

(*) Notice: This patent is subject to a terminal dis-
claimer.

(**) Term: **14 Years**

(21) Appl. No.: **29/222,408**

(22) Filed: **Jan. 28, 2005**

Related U.S. Application Data

(63) Continuation-in-part of application No. 29/196,268, filed on
Dec. 22, 2003, now Pat. No. Des. 503,569.

(51) **LOC (8) Cl.** **06-04**

(52) **U.S. Cl.** **D6/474**

(58) **Field of Classification Search** D6/405,
D6/474, 477-479, 495, 509; 108/59, 60,
108/91, 92, 147.11, 149; 211/42, 149, 153,
211/195, 186, 188, 194, 90.04; 312/9.1, 7.2,
312/223.1; D25/64, 68; D34/30

See application file for complete search history.

(56) **References Cited**

U.S. PATENT DOCUMENTS

D109,291 S * 4/1938 Beyrle D6/473
D262,076 S * 12/1981 Pracon D6/407

D302,083 S * 7/1989 Walter D6/413
D364,763 S * 12/1995 Sielaff D6/479
D433,846 S * 11/2000 Chang D6/474
D459,117 S * 6/2002 Singh D6/474

OTHER PUBLICATIONS

Vitrashop Catalog, Leaning Shelves, Innovations '87 Box,
Dec. 1987.*

Crate and Barrel Catalog, Leaning Bookcase, p. 36, Fall
2002.*

Spiegel Catalog, Picket Fence Shelf, p. 390, Spr. Sum.
2000.*

* cited by examiner

Primary Examiner—Cathron C. Brooks

(74) *Attorney, Agent, or Firm*—Wood, Herron & Evans,
L.L.P.

(57) **CLAIM**

The ornamental design for the furniture component, as
shown and described.

DESCRIPTION

FIG. 1 is a perspective view of a furniture component
incorporating my new design;

FIG. 2 is a front elevational view thereof;

FIG. 3 is a right-side elevational view thereof;

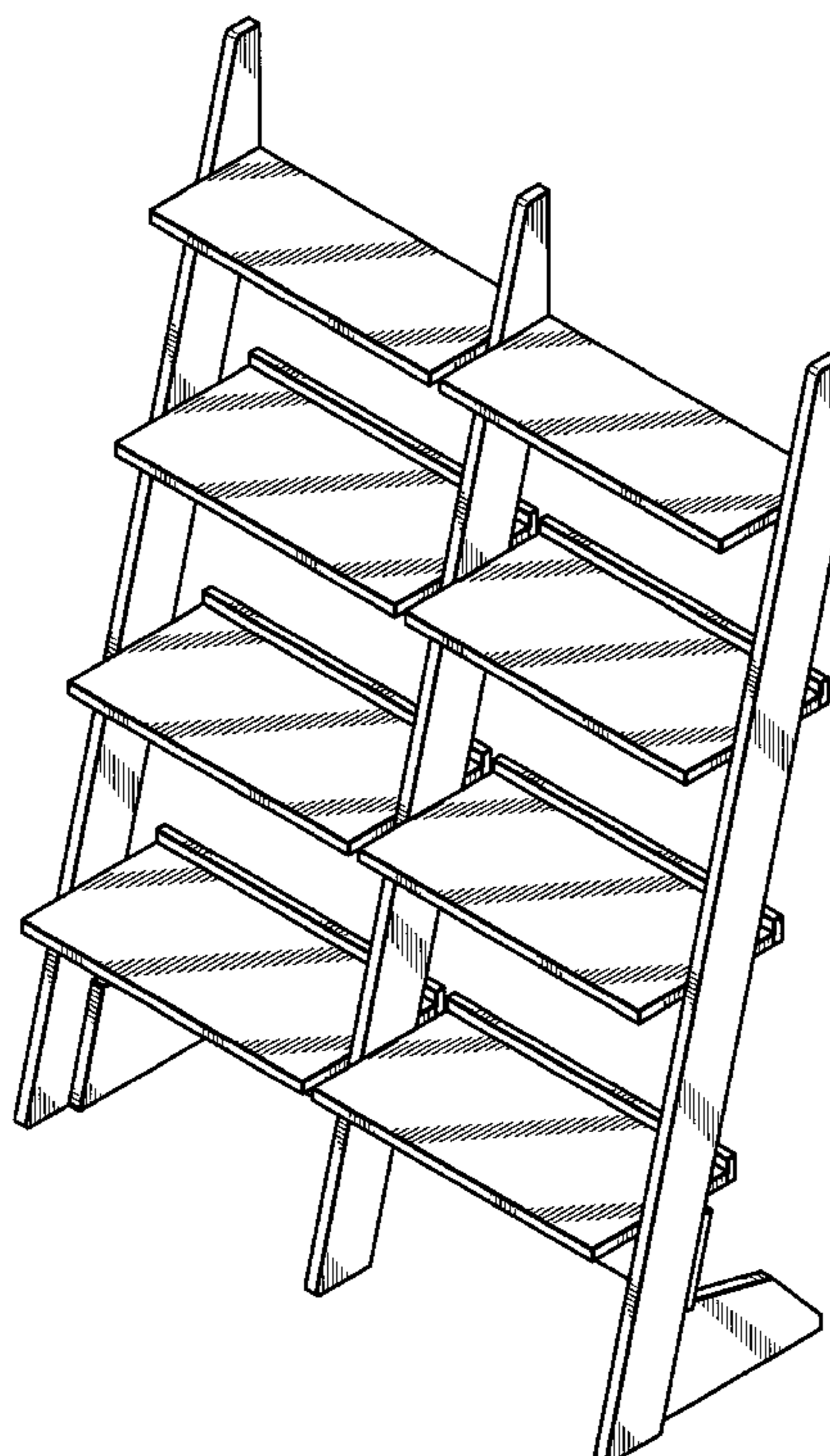
FIG. 4 is a rear elevational view thereof;

FIG. 5 is a left-side elevational view thereof;

FIG. 6 is a top plan view thereof; and,

FIG. 7 is a bottom plan view thereof.

1 Claim, 4 Drawing Sheets



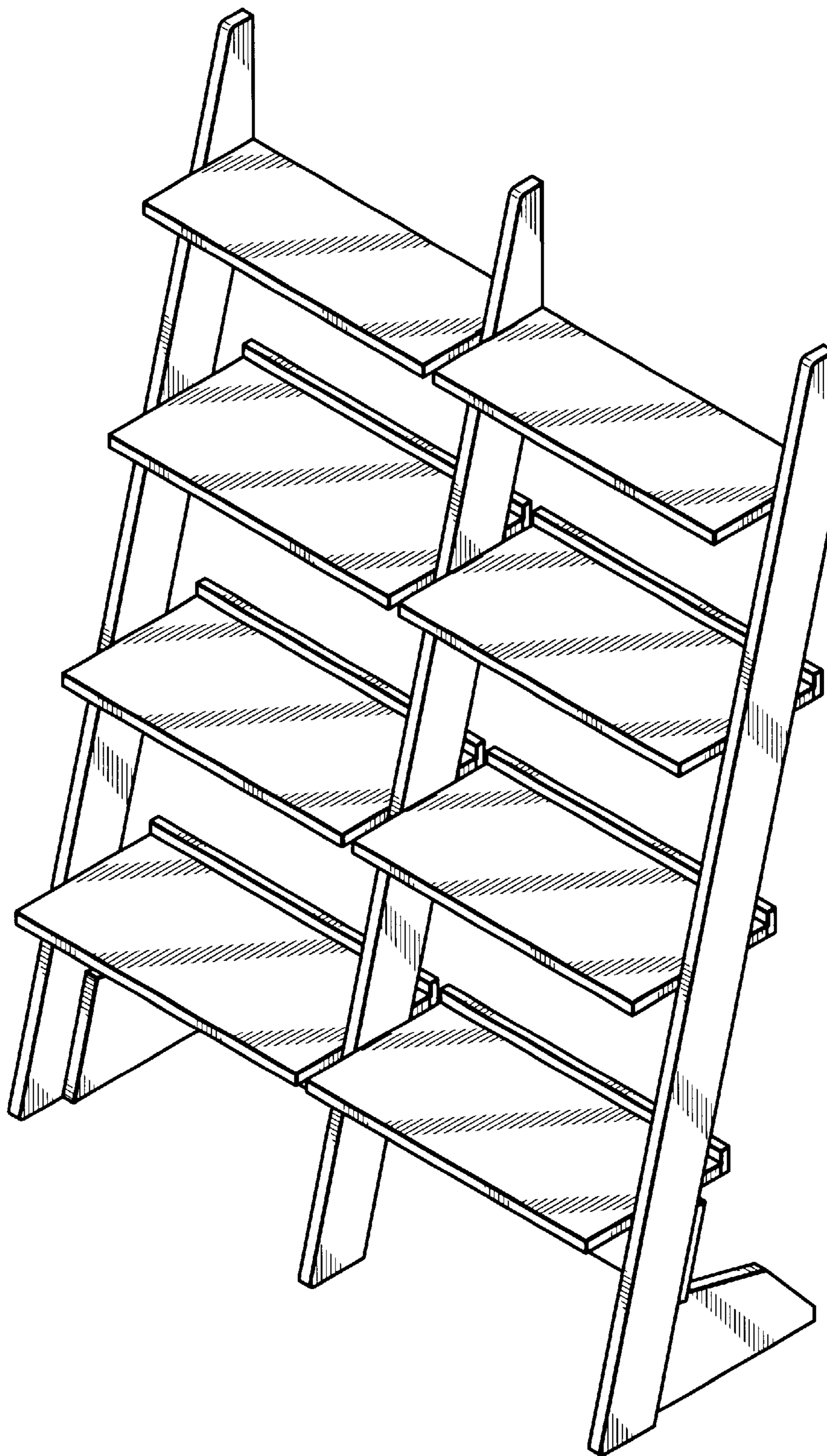


FIG. 1

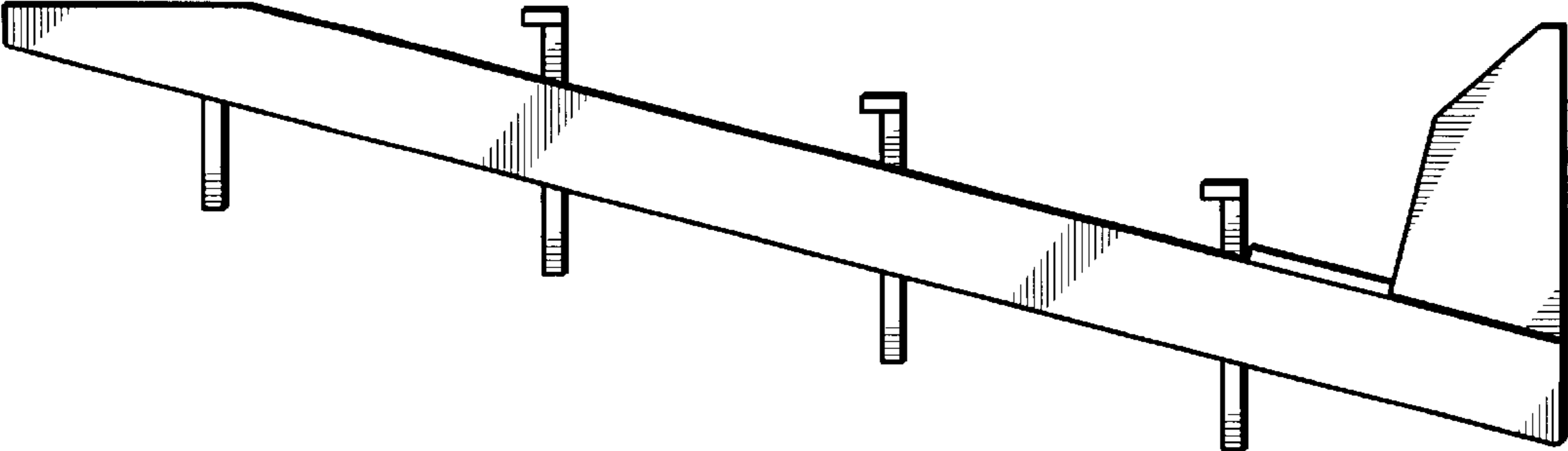


FIG. 3

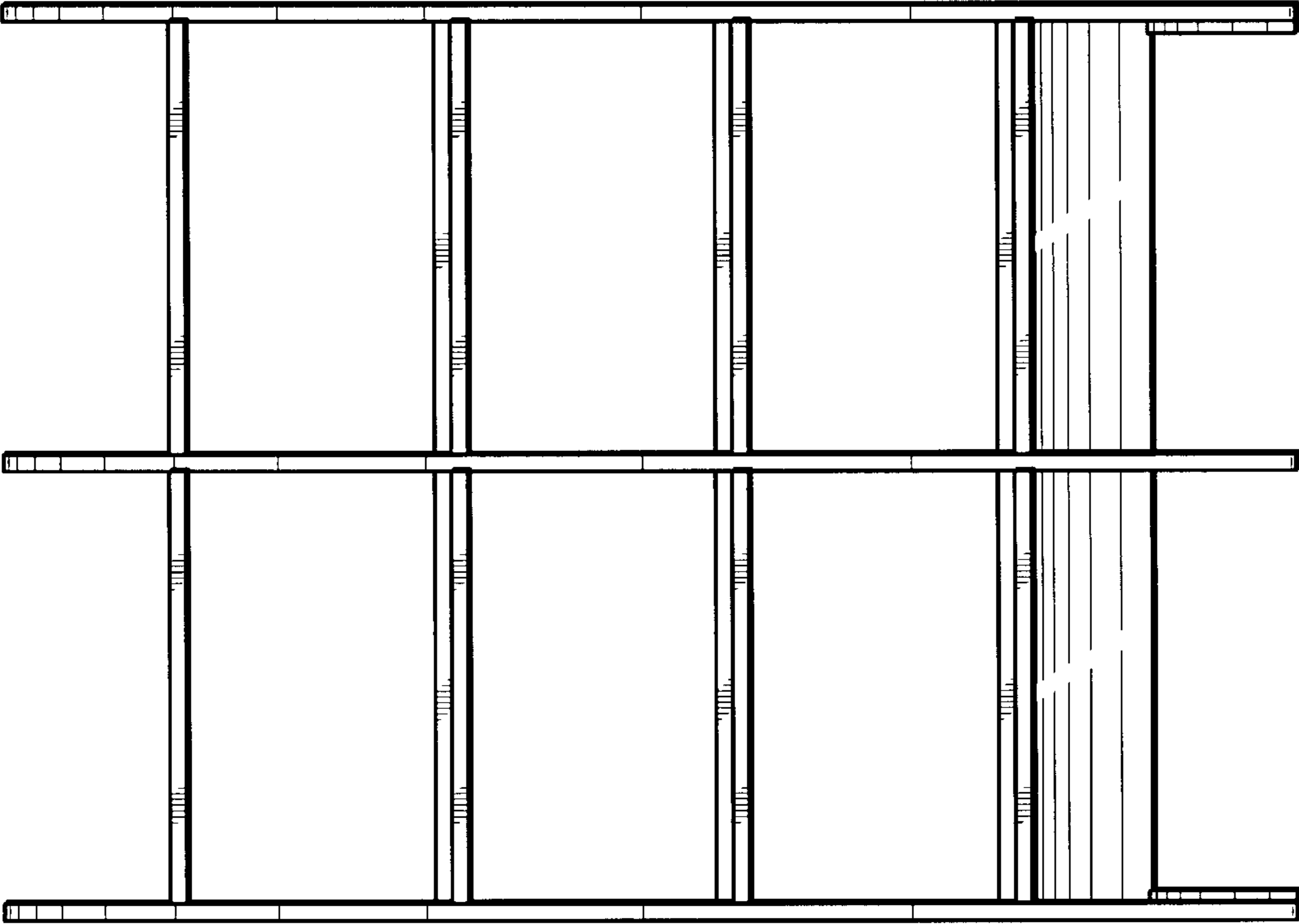


FIG. 2

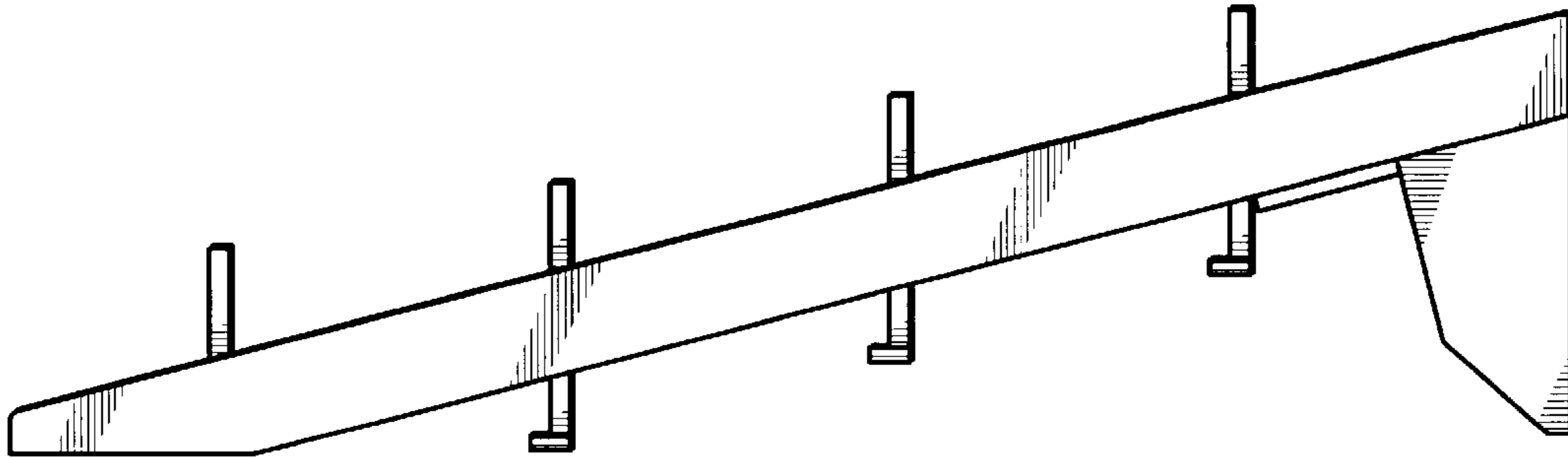


FIG. 5

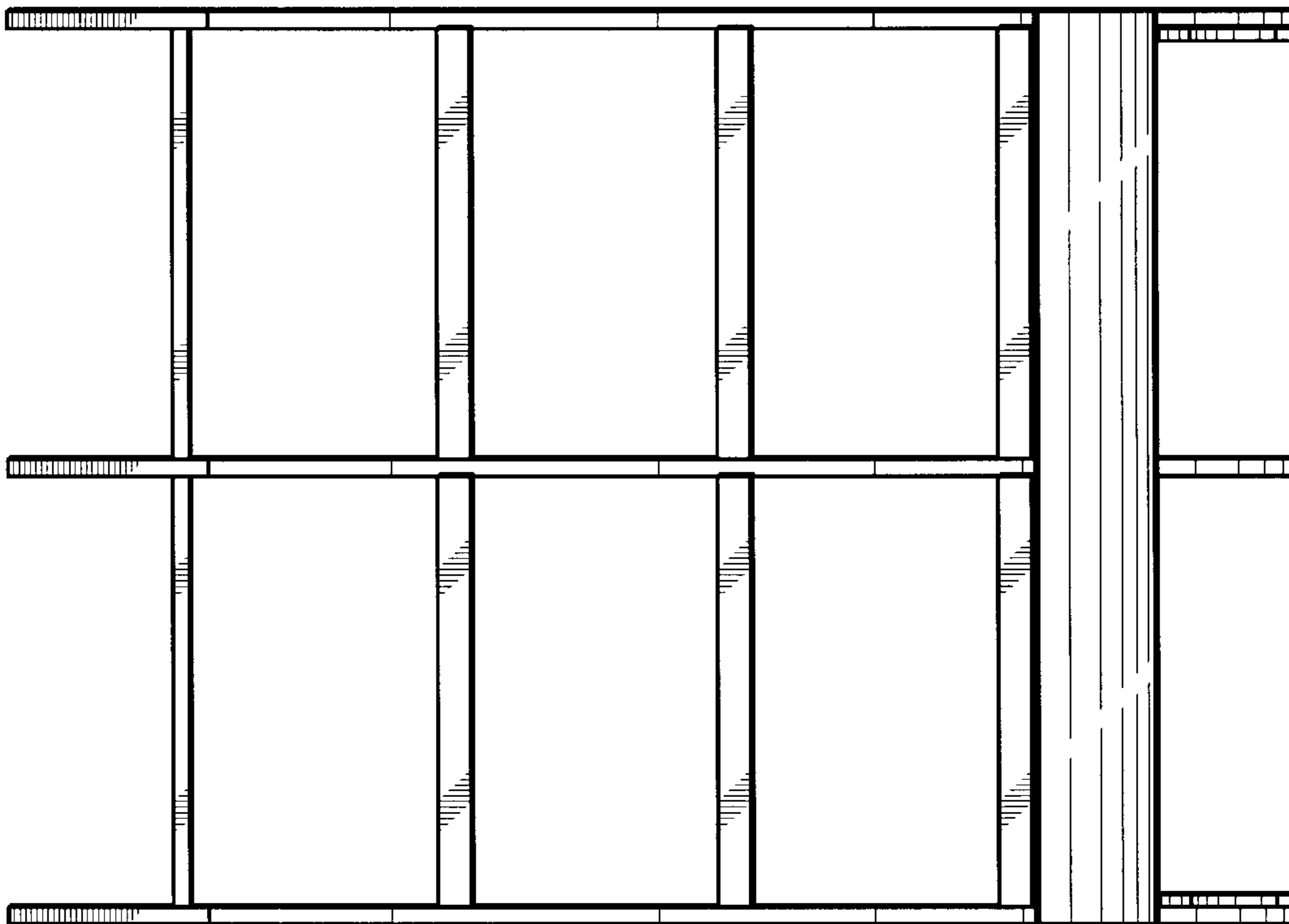


FIG. 4

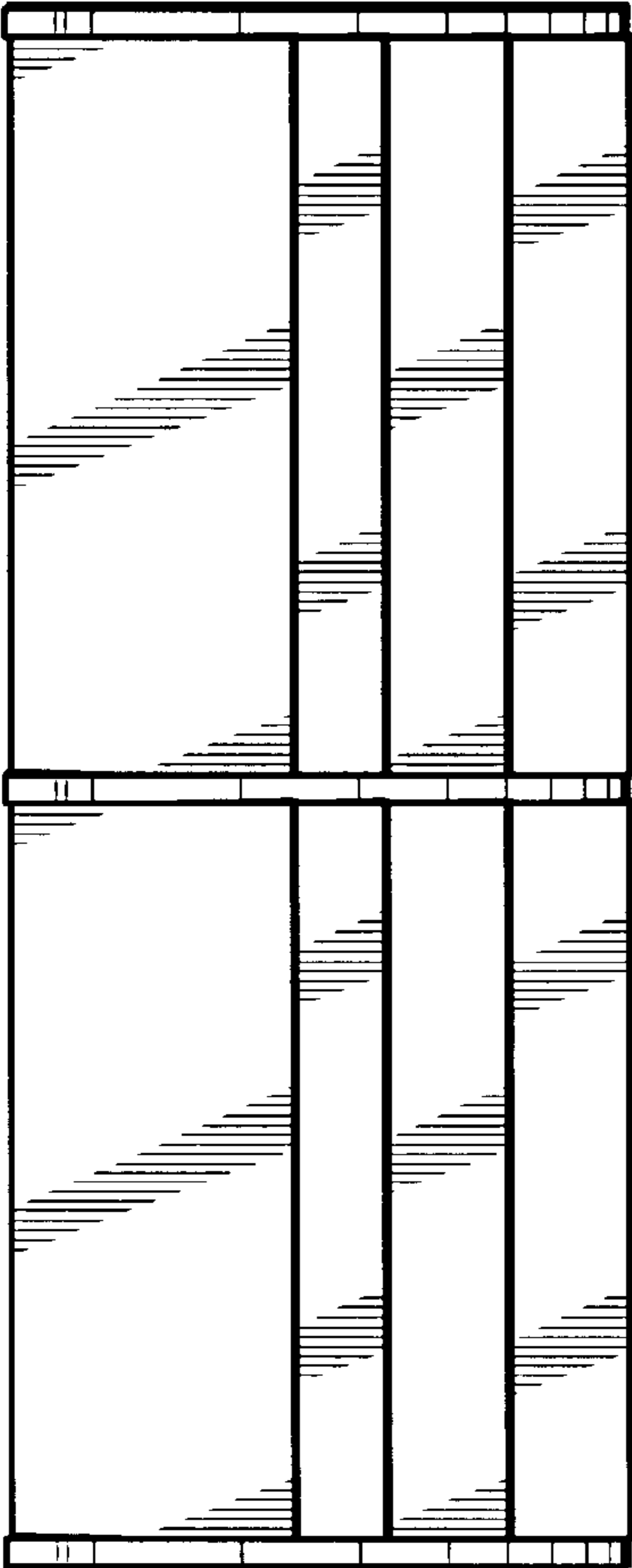


FIG. 6

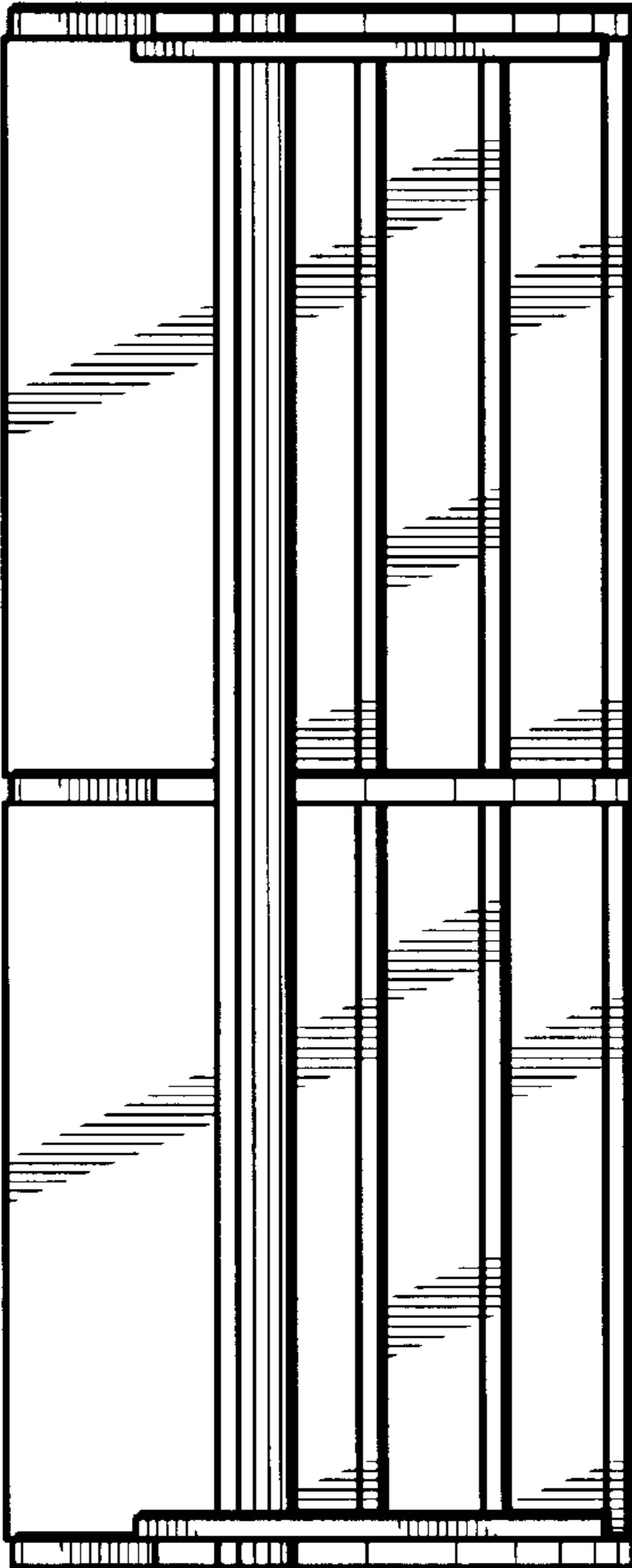


FIG. 7