



US00D520775S

(12) **United States Design Patent**  
**Liu et al.**

(10) **Patent No.:** **US D520,775 S**

(45) **Date of Patent:** **\*\* May 16, 2006**

(54) **WORKTABLE FOR SAWING MACHINE**

4,909,491 A \* 3/1990 Cheng ..... 269/16  
D351,295 S \* 10/1994 Noniewicz ..... D6/400  
5,950,999 A \* 9/1999 Lin ..... 269/139

(75) Inventors: **Chia-Sheng Liu**, Chiayi County (TW);  
**Hin-Hsien Wu**, Taichung (TW)

\* cited by examiner

(73) Assignee: **Durq Machinery Corp.**, Taichung  
(TW)

*Primary Examiner*—Antoine D. Davis

*Assistant Examiner*—Patricia Palasik

(\*\*) Term: **14 Years**

(74) *Attorney, Agent, or Firm*—Bacon & Thomas, PLLC

(21) Appl. No.: **29/227,737**

(57) **CLAIM**

(22) Filed: **Apr. 15, 2005**

The ornamental design for worktable for sawing machine, as shown.

(51) **LOC (8) Cl.** ..... **06-03**

**DESCRIPTION**

(52) **U.S. Cl.** ..... **D6/400; D15/141**

(58) **Field of Classification Search** ..... D6/400,  
D6/429–431, 509; D8/71; D34/12, 14, 16;  
26/511; 144/286.1, 286 A, 286 R, 287 R,  
144/287; 83/471.1, 471.2, 471.3, 467 A,  
83/486.1, 701; 269/17, 41, 79, 901  
See application file for complete search history.

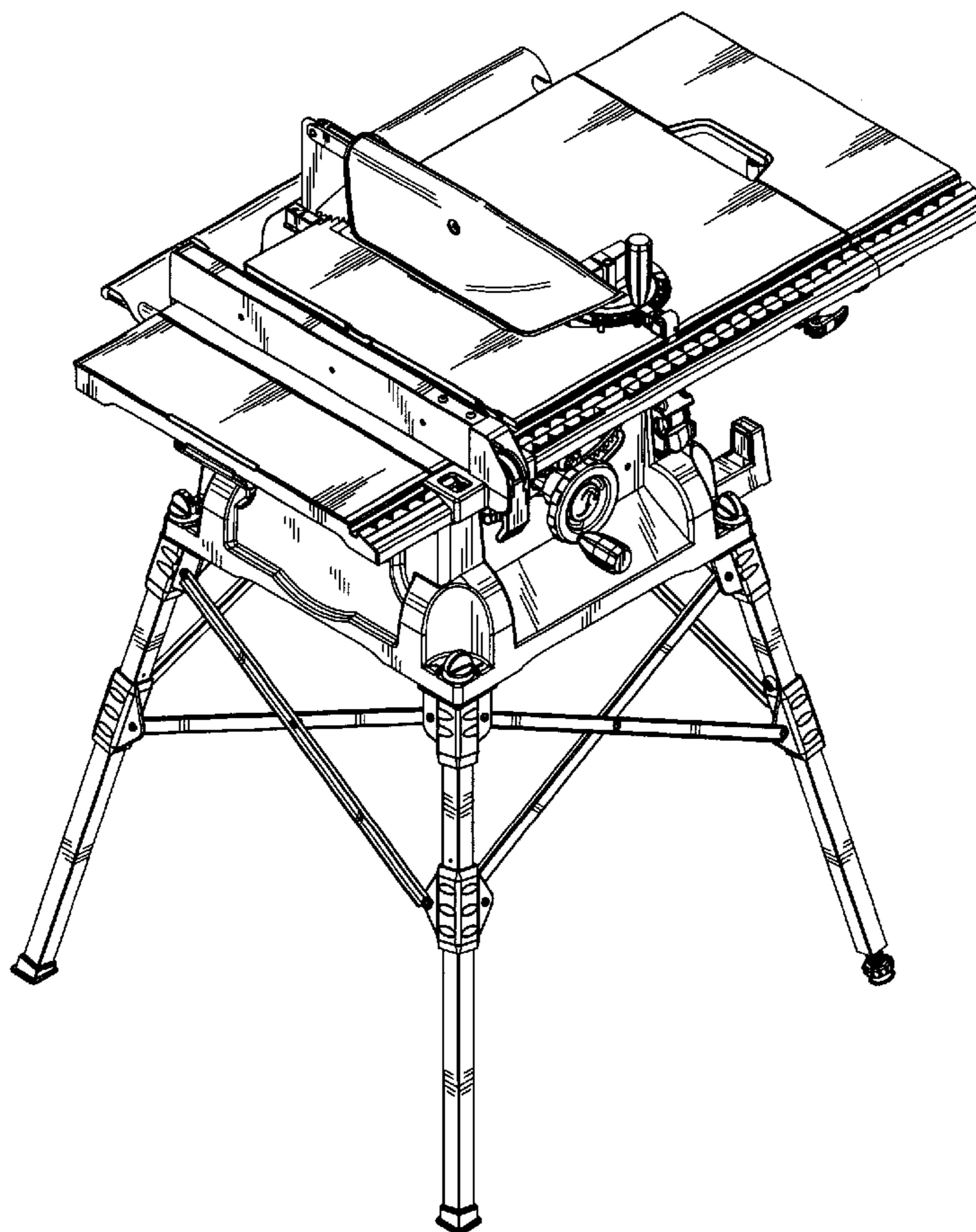
FIG. 1 shows a perspective view of the present design.  
FIG. 2 shows a right side elevational view of the present design.  
FIG. 3 shows a top plan view of the present design.  
FIG. 4 shows a front elevational view of the present design.  
FIG. 5 shows a bottom plan view of the present design.  
FIG. 6 shows a left side elevational view of the present design; and,  
FIG. 7 shows a rear elevational view of the present design.

(56) **References Cited**

U.S. PATENT DOCUMENTS

4,415,149 A \* 11/1983 Rees ..... 269/88

**1 Claim, 7 Drawing Sheets**



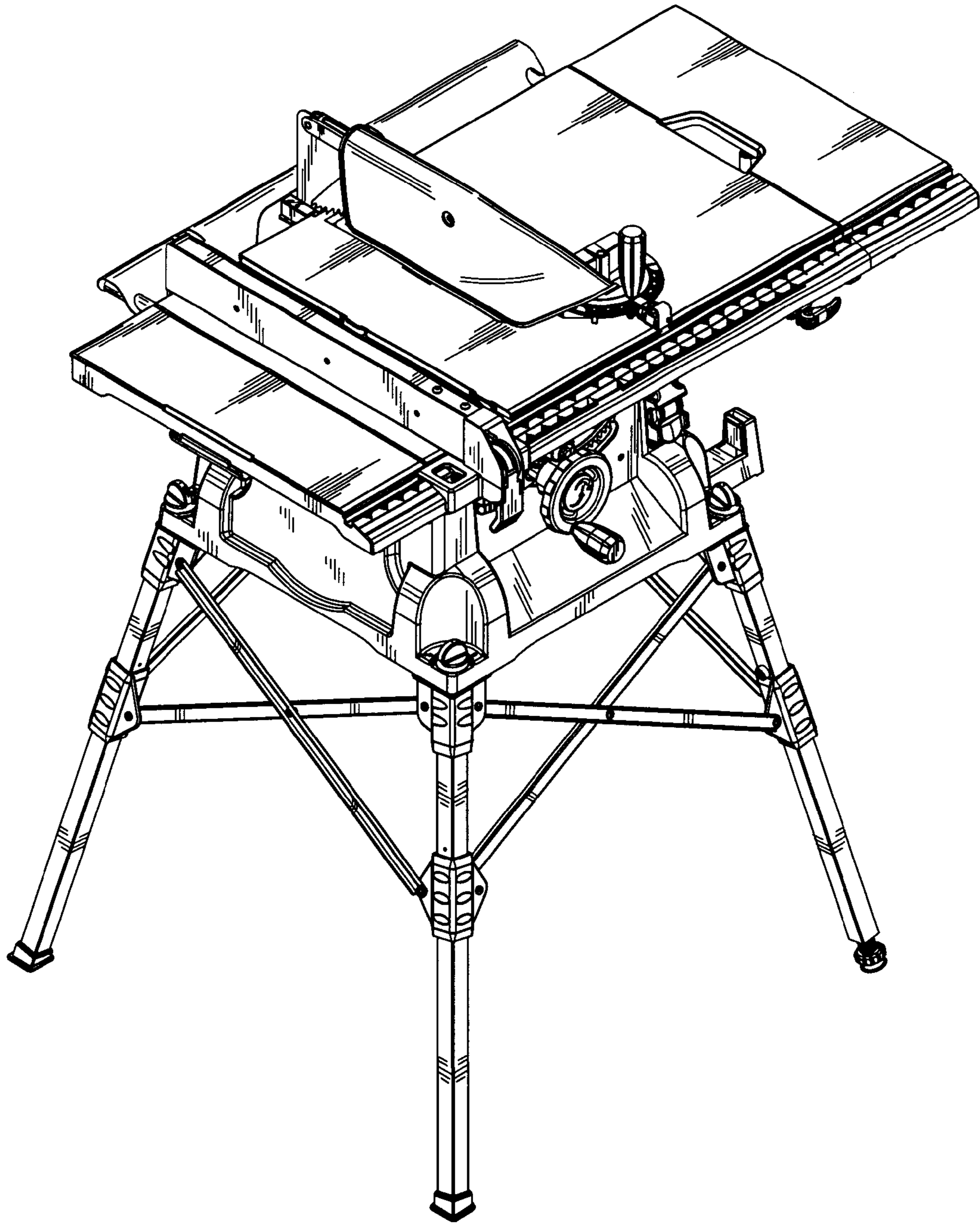


FIG. 1

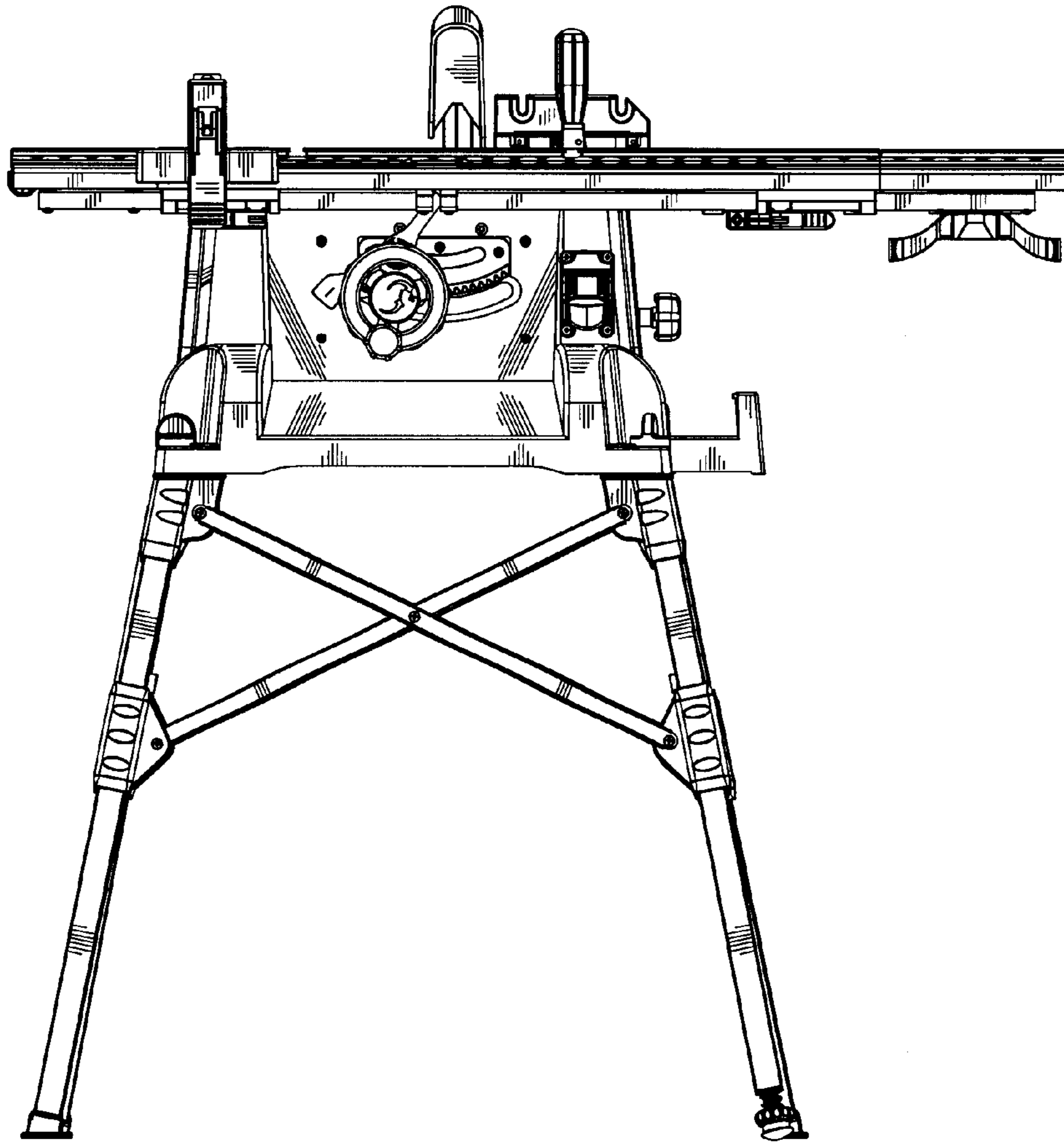


FIG.2

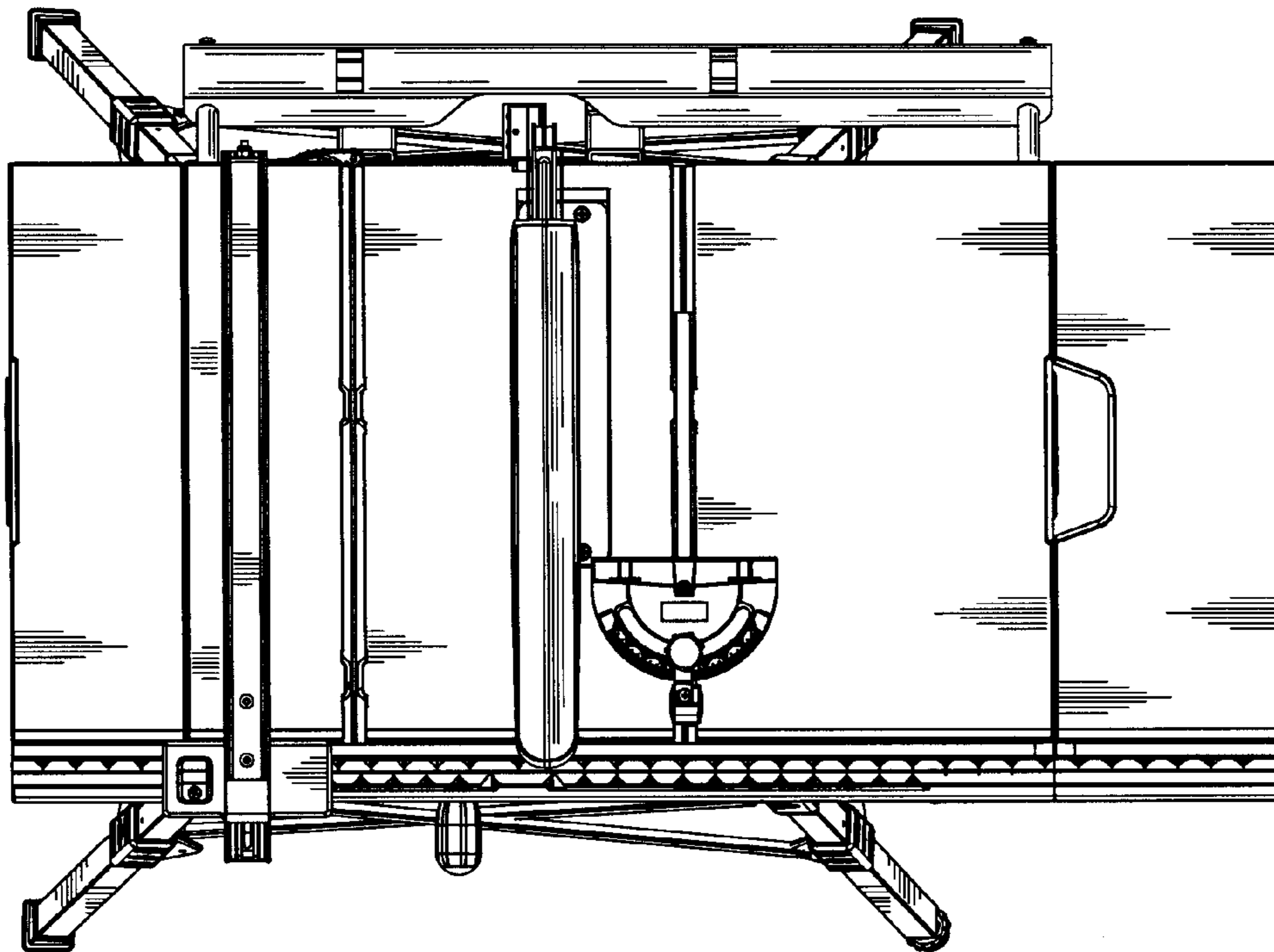


FIG. 3



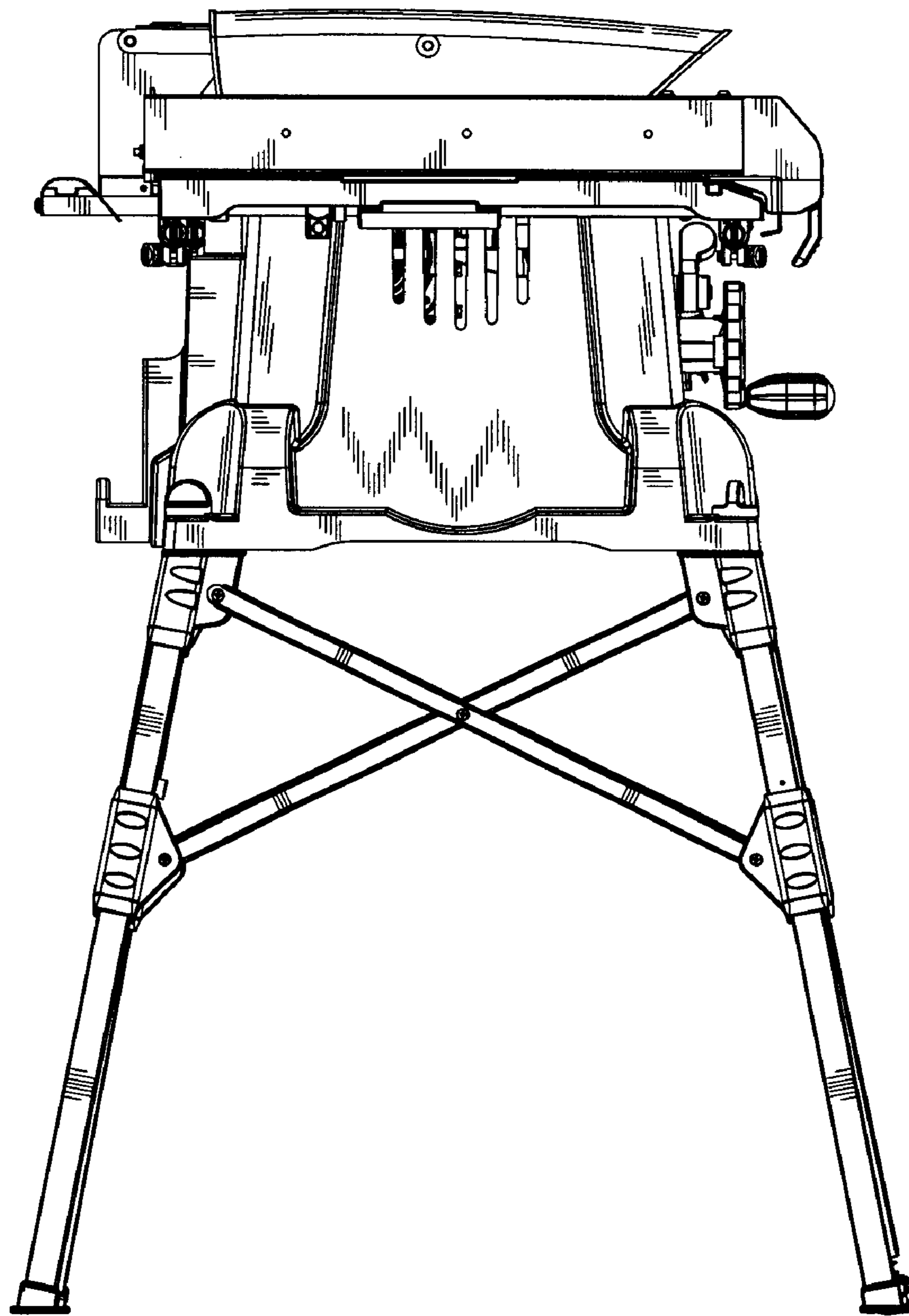


FIG. 4

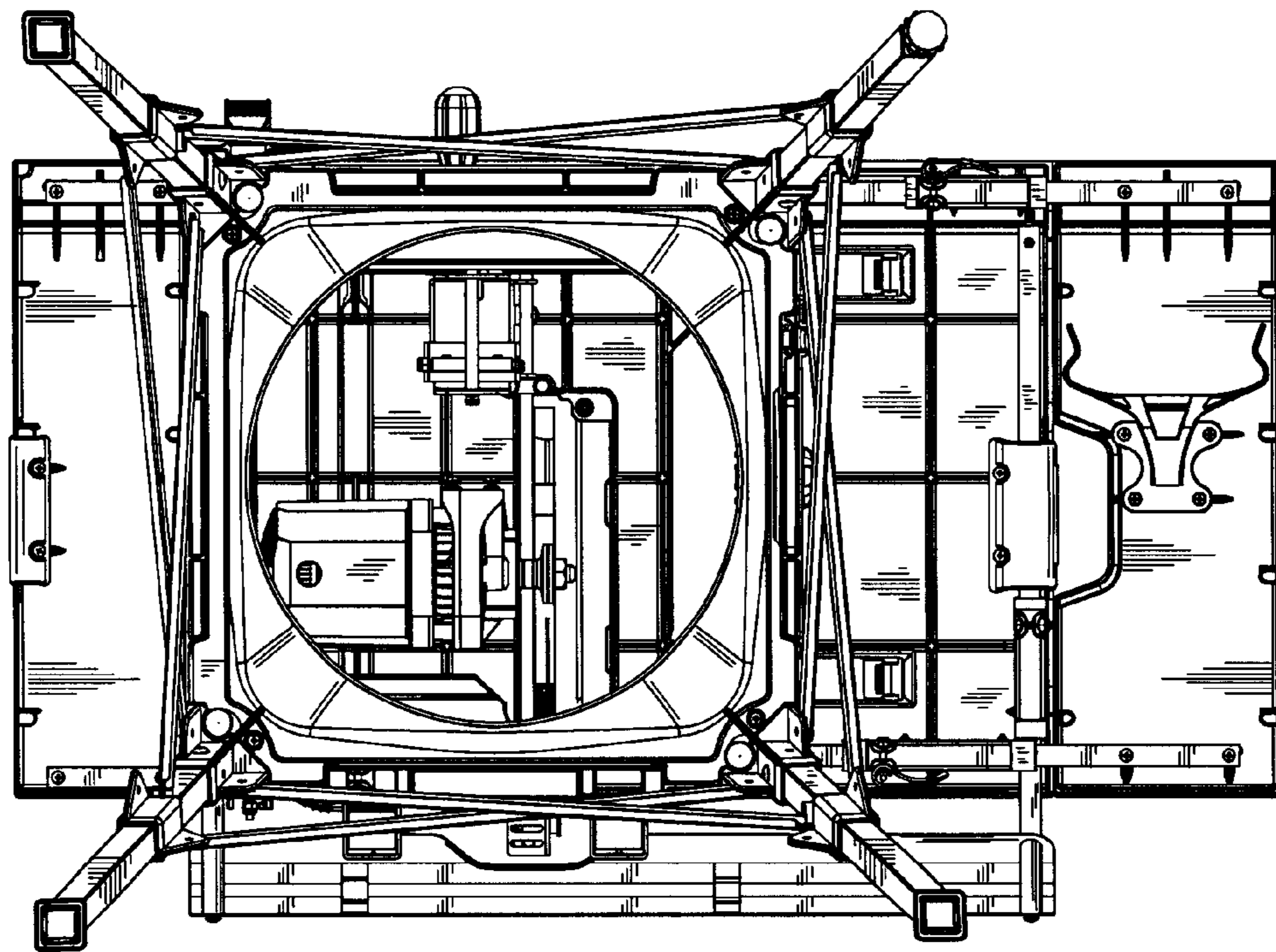


FIG. 5

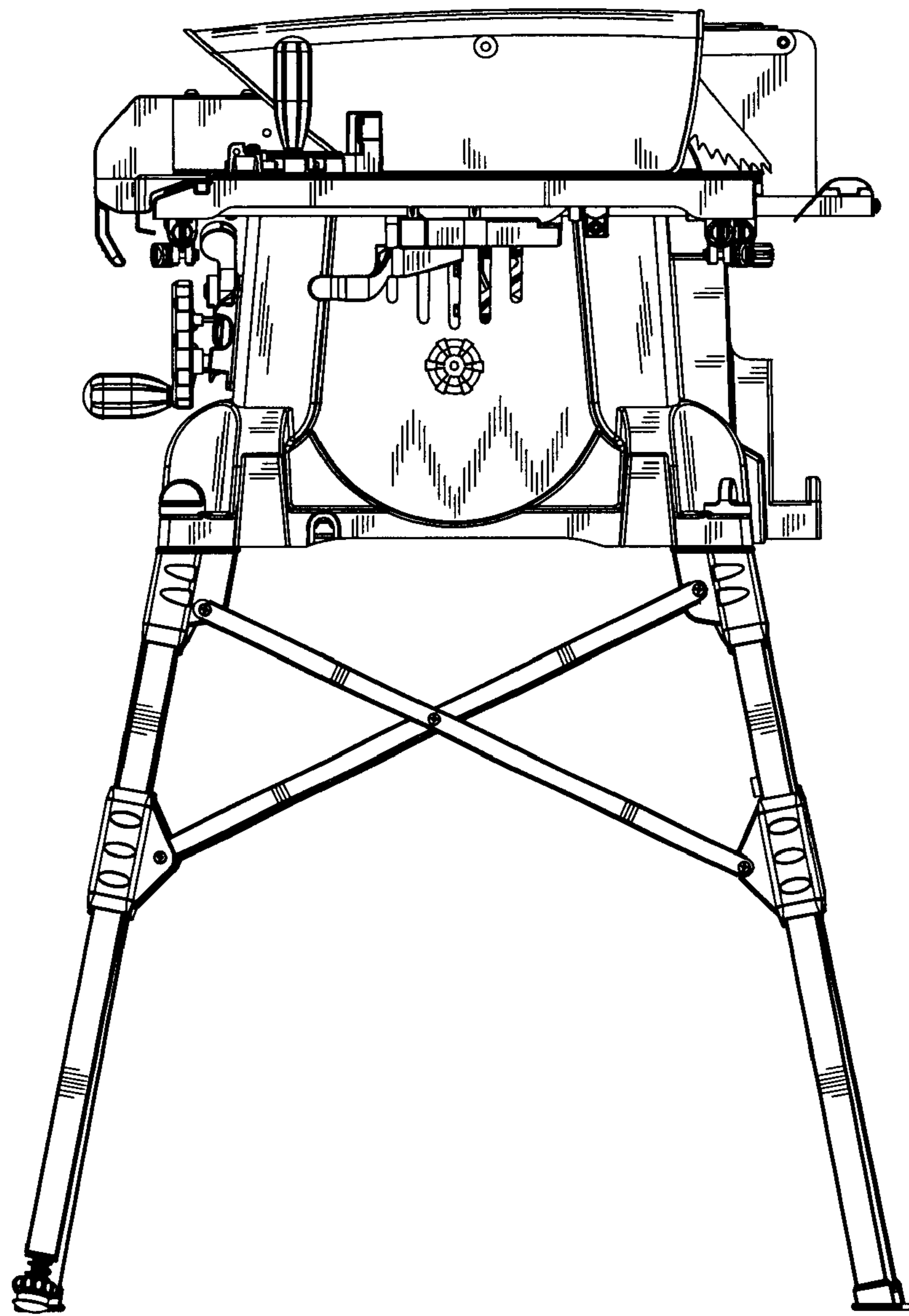


FIG. 6

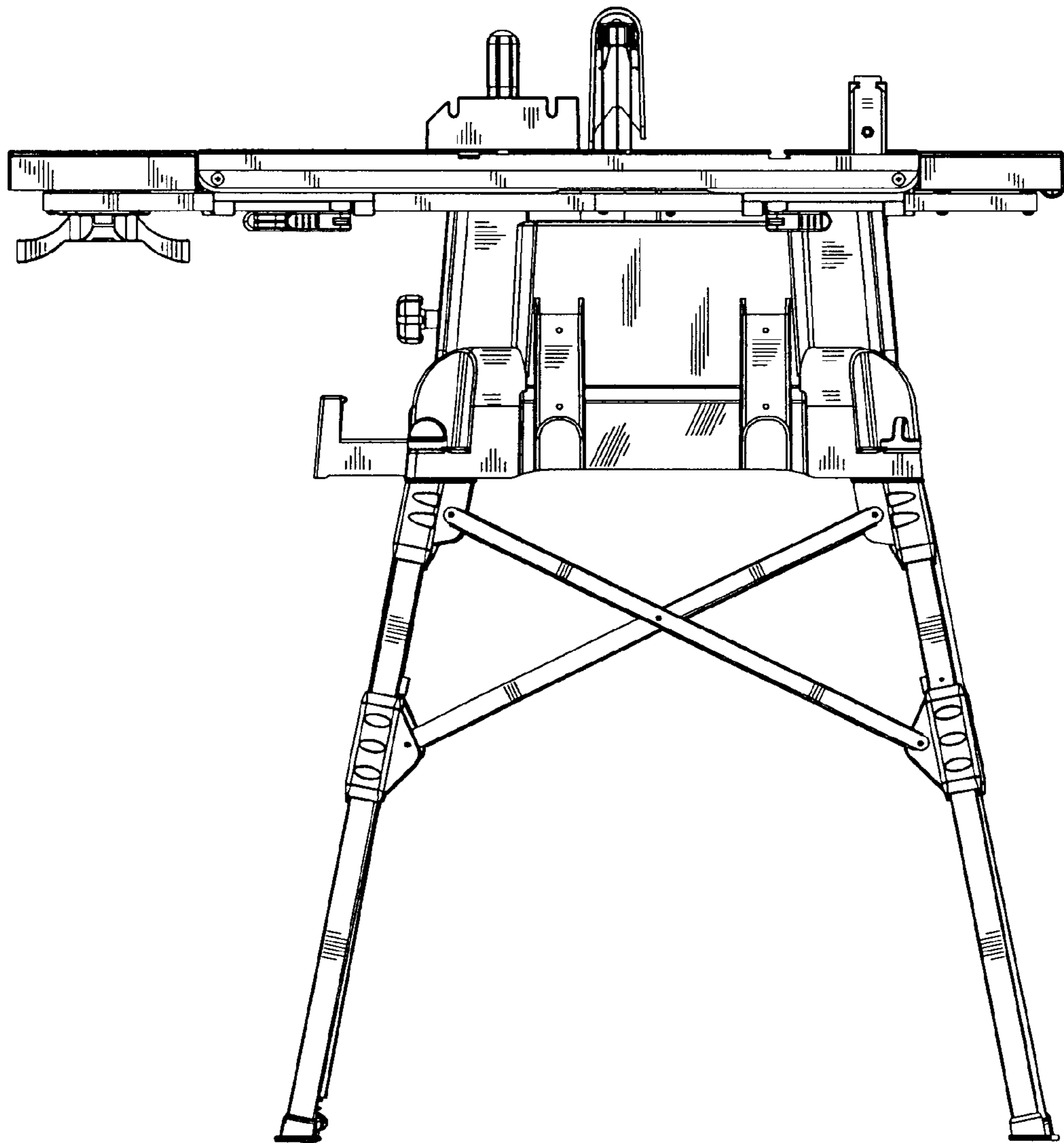


FIG. 7