



US00D520769S

(12) **United States Design Patent**
Bennett et al.

(10) **Patent No.:** **US D520,769 S**
(45) **Date of Patent:** **** May 16, 2006**

(54) **CHAIR**

(75) Inventors: **Jeffrey T. Bennett**, New York, NY (US); **Nicholas Dodziuk**, New York, NY (US); **Gregory P. Allison**, Orefield, PA (US); **Dale W. Mason**, Orefield, PA (US)

(73) Assignee: **Knoll, Inc.**, East Greenville, PA (US)

(**) Term: **14 Years**

(21) Appl. No.: **29/231,636**

(22) Filed: **Jun. 8, 2005**

(51) **LOC (8) Cl.** **06-01**

(52) **U.S. Cl.** **D6/379; D6/374**

(58) **Field of Classification Search** D6/334,
D6/335, 366, 368, 374, 379, 380, 500-502;
297/239, 411.27, 445.1, 446.1, 452.1
See application file for complete search history.

(56) **References Cited**

U.S. PATENT DOCUMENTS

D346,502 S	*	5/1994	Ochsner	D6/379
D368,175 S	*	3/1996	Wang	D6/379
D380,101 S	*	6/1997	Feldberg	D6/379
D391,778 S	*	3/1998	Cretcher	D6/379
D403,522 S	*	1/1999	Wilson	D6/379

D417,970 S	*	12/1999	Duffy et al.	D6/379
D439,430 S	*	3/2001	Groulx et al.	D6/379
D446,037 S	*	8/2001	Koepke et al.	D6/379
D446,661 S	*	8/2001	Ambasz	D6/368
D446,958 S	*	8/2001	Olson	D6/379
D447,353 S	*	9/2001	Peloquin	D6/368
D464,495 S	*	10/2002	Chu	D6/374
D469,971 S	*	2/2003	Piretti	D6/374
D475,544 S	*	6/2003	Chadwick et al.	D6/380
D476,495 S	*	7/2003	Tsai	D6/380

* cited by examiner

Primary Examiner—Mimosa De

(74) *Attorney, Agent, or Firm*—Buchanan Ingersoll PC

(57) **CLAIM**

The ornamental design for a chair, as shown and described.

DESCRIPTION

FIG. 1 is a perspective view of a chair showing our new design;

FIG. 2 is a front elevational view thereof;

FIG. 3 is a rear elevational view thereof;

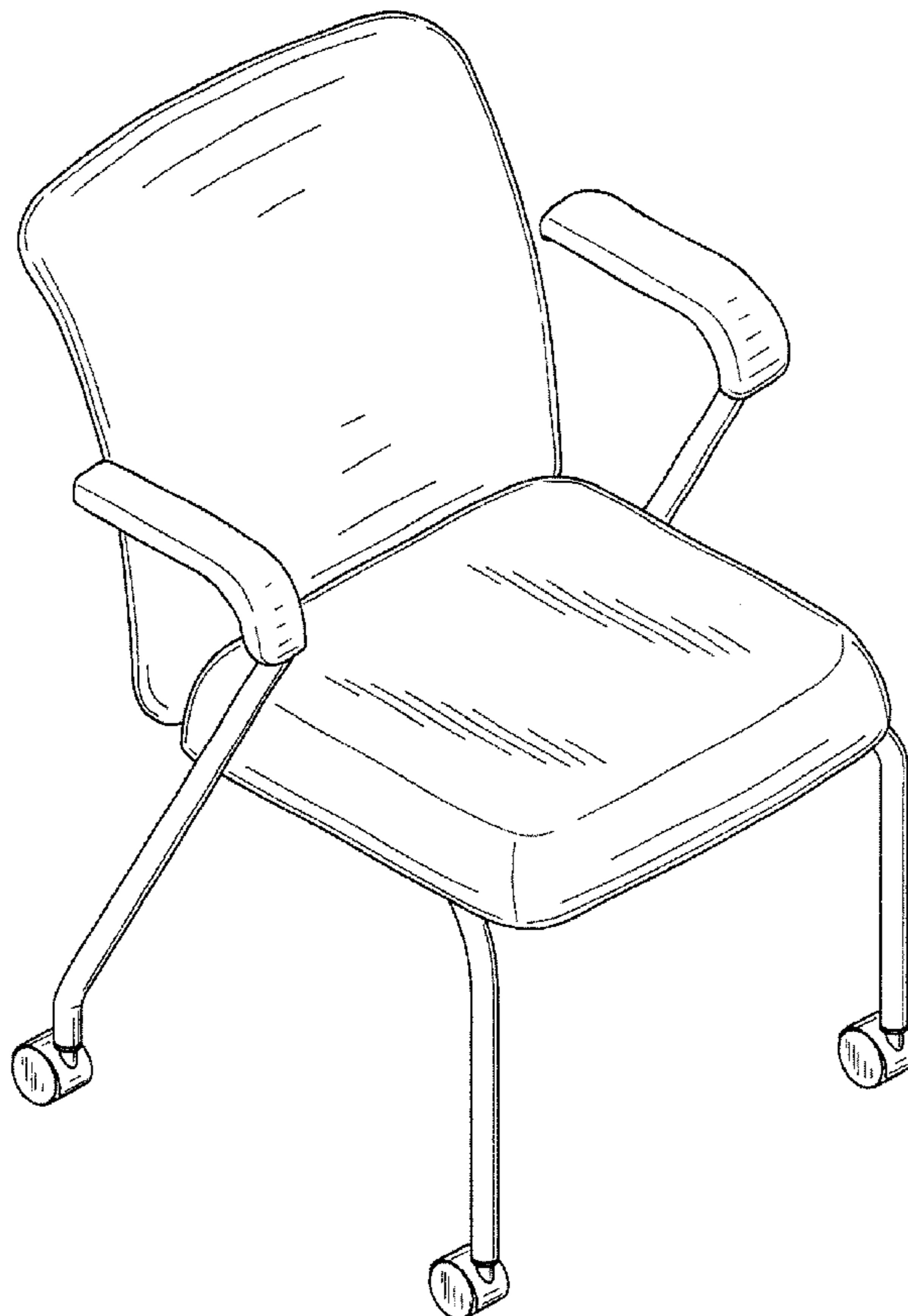
FIG. 4 is a top plan view thereof;

FIG. 5 is a bottom plan view thereof;

FIG. 6 is a left side elevational view thereof; and,

FIG. 7 is a right side elevational view thereof.

1 Claim, 7 Drawing Sheets



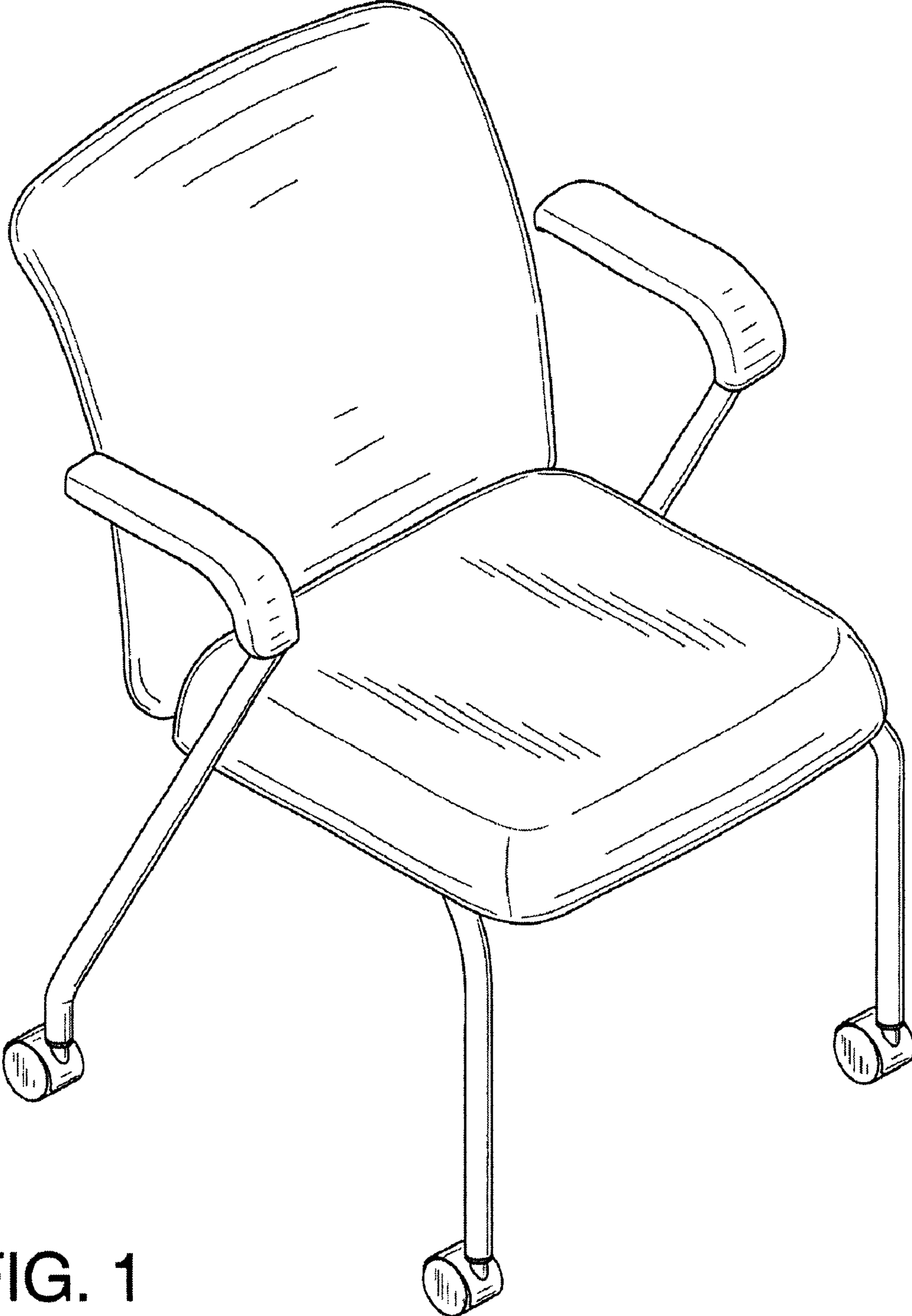


FIG. 1

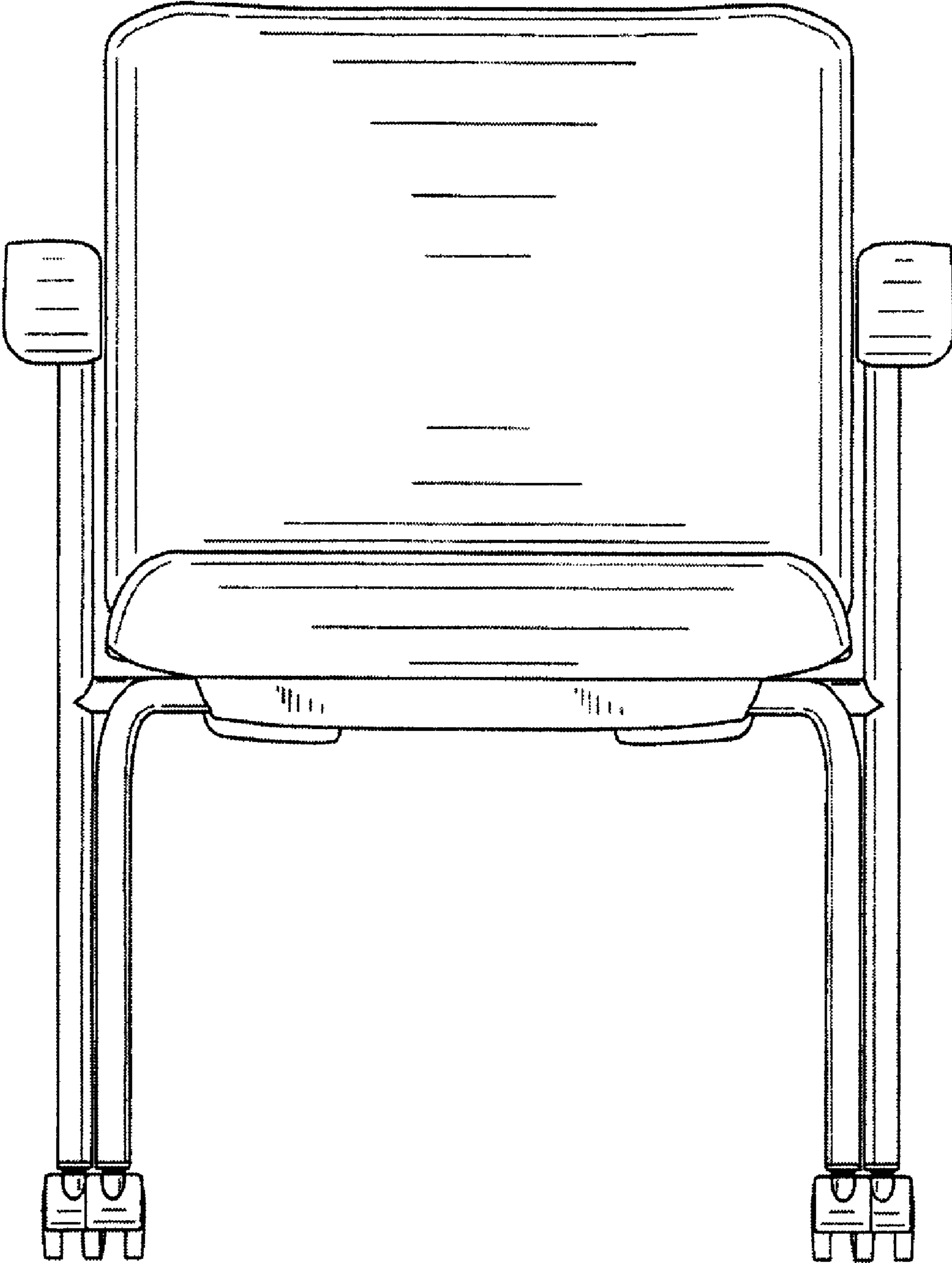


FIG. 2

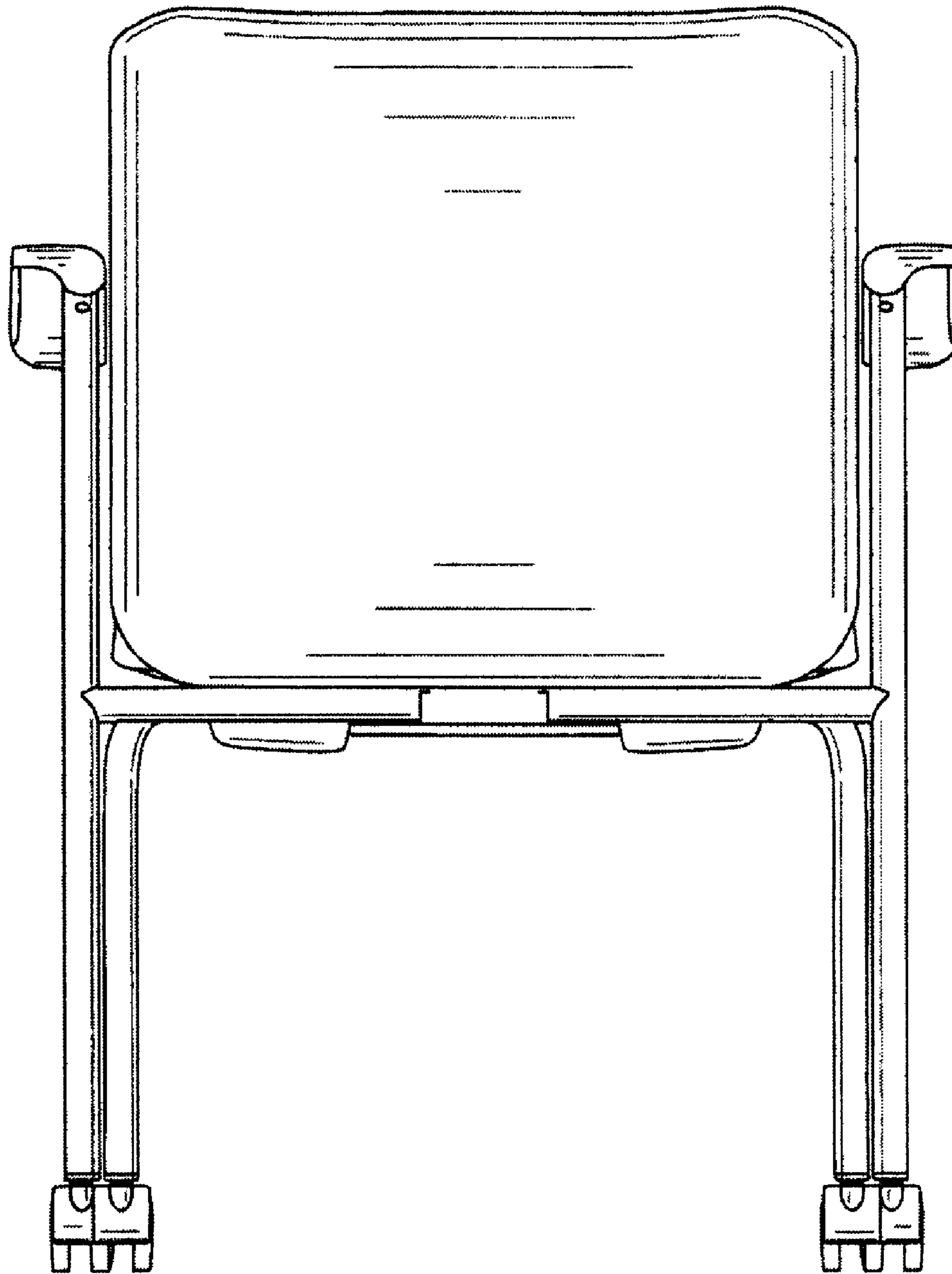


FIG. 3

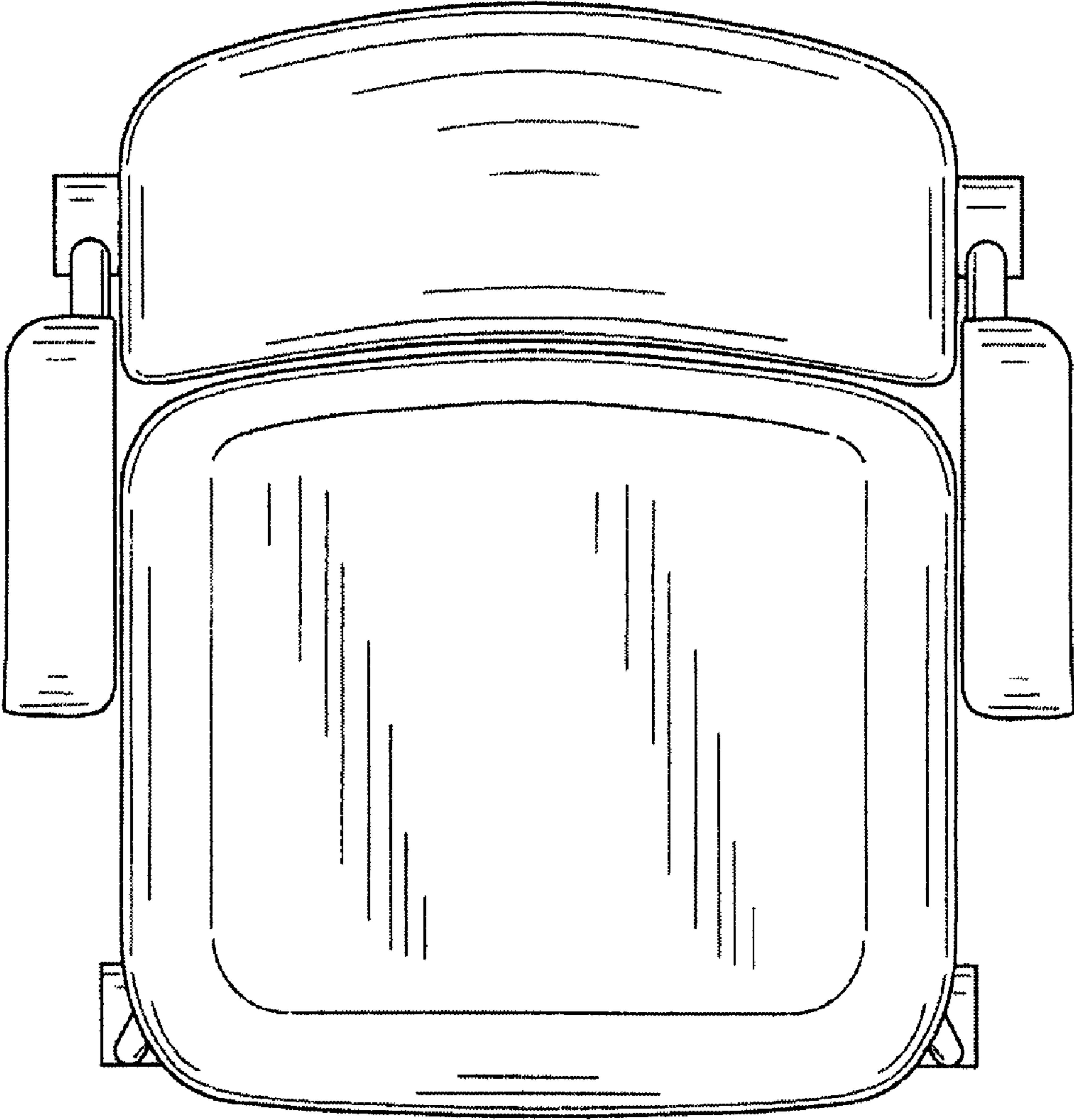


FIG. 4

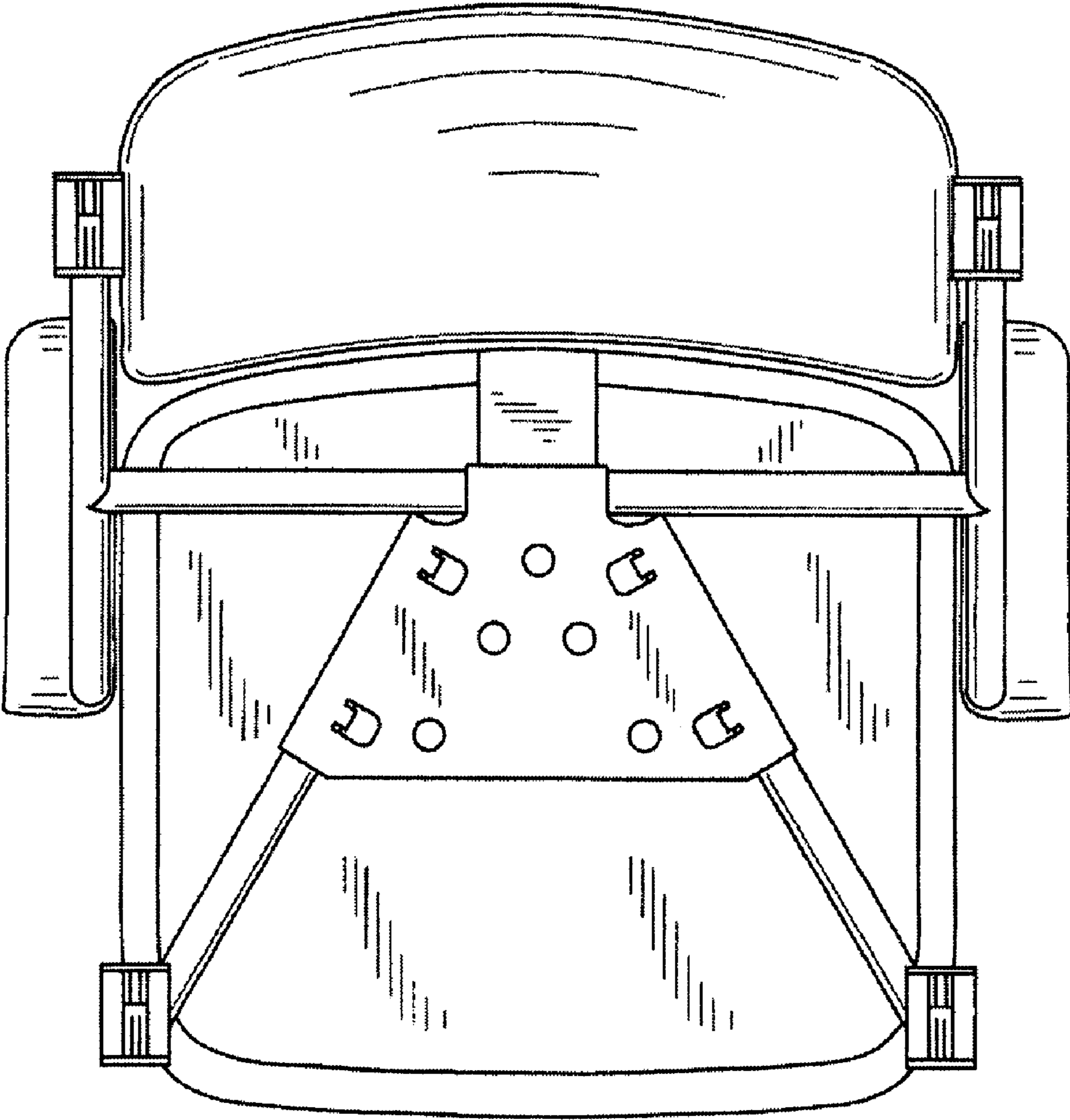


FIG. 5

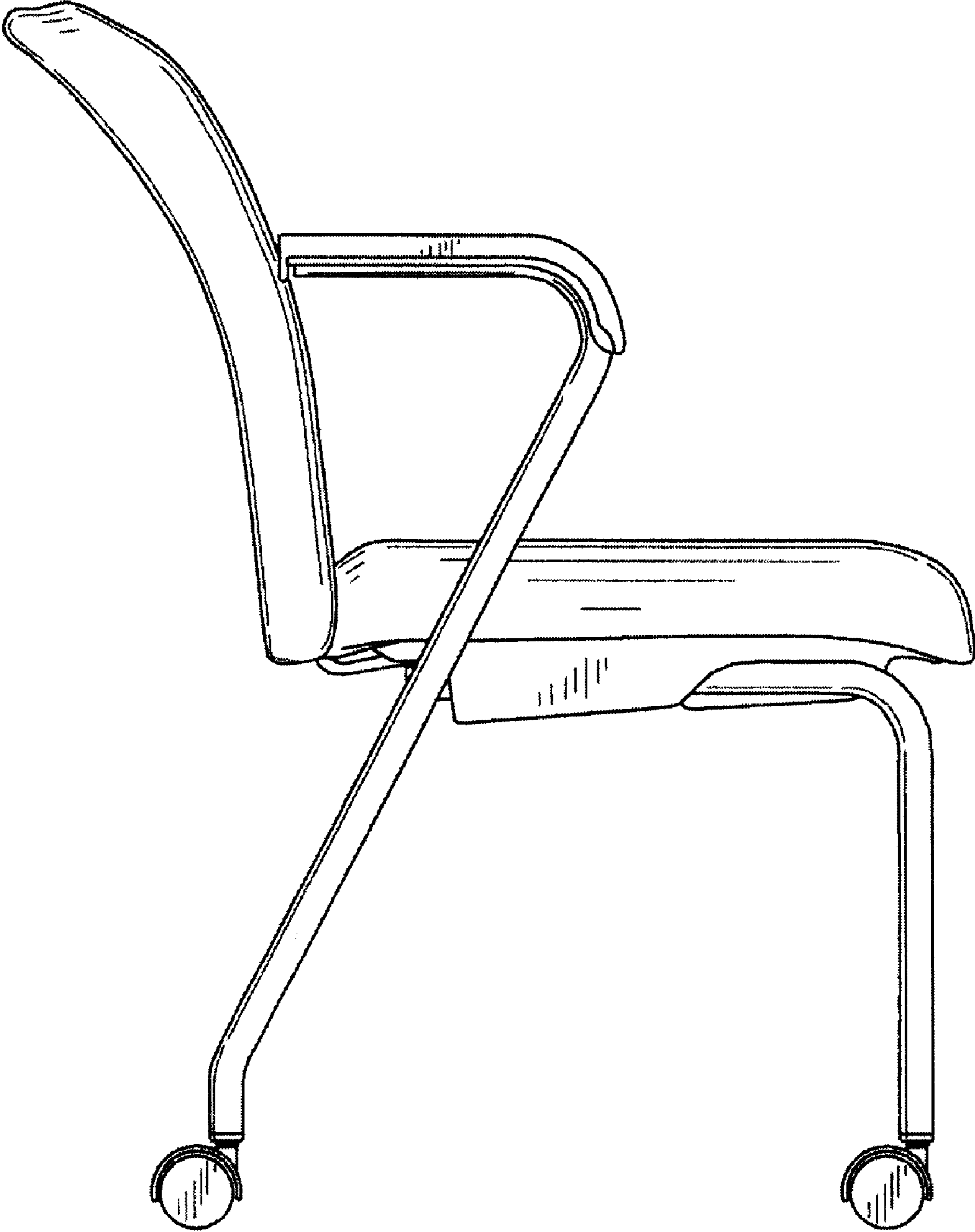


FIG. 6

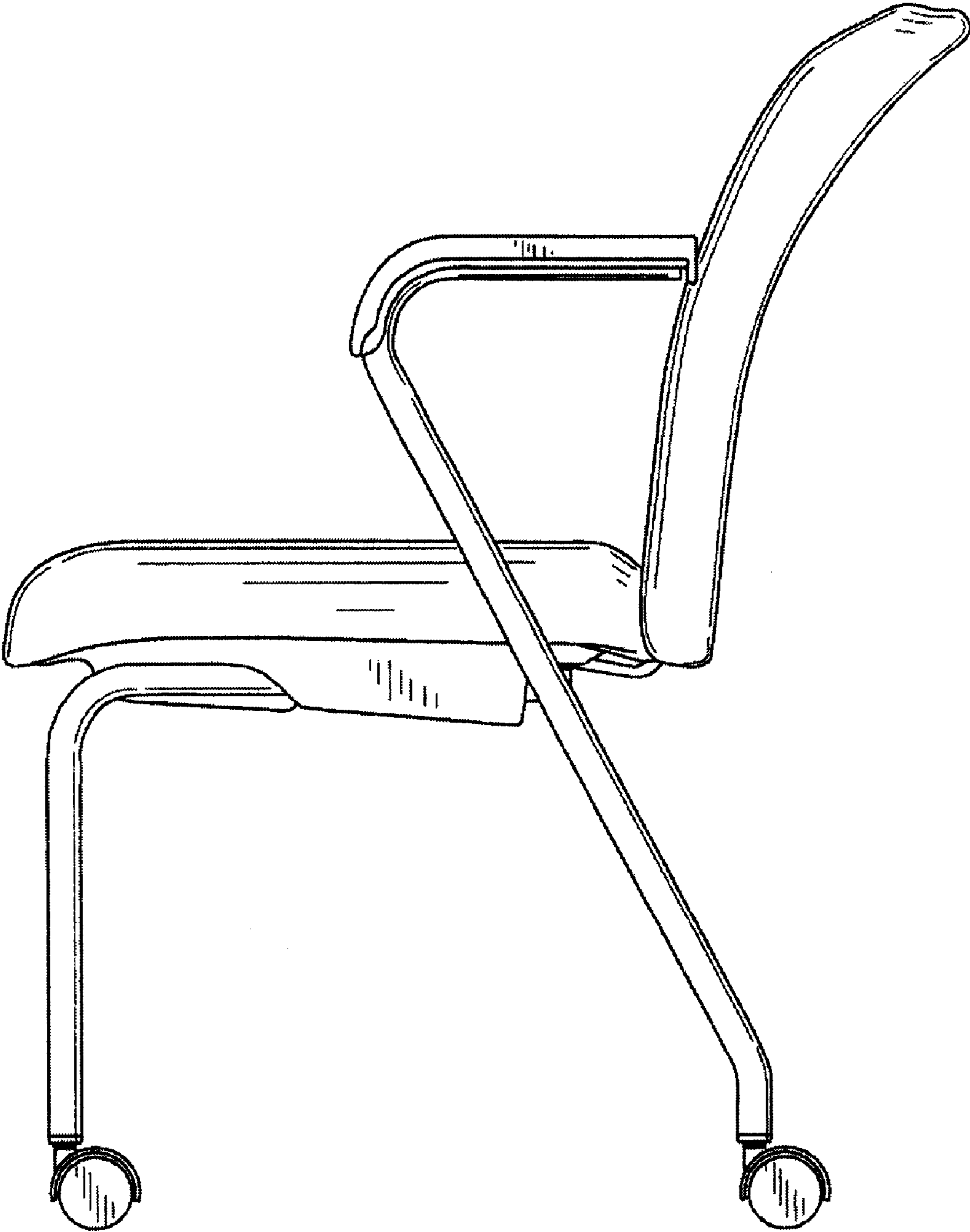


FIG. 7